

# DS36954 Quad Differential Bus Transceiver

## General Description

The DS36954 is a low power, quad EIA-485 differential bus transceiver especially suited for high speed, parallel, multi-point, I/O bus applications. A compact 20-pin surface mount PLCC or SOIC package provides high transceiver integration and a very small PC board footprint.

Propagation delay skew between devices is specified to aid in parallel interface designs—limits on maximum and minimum delay times are guaranteed.

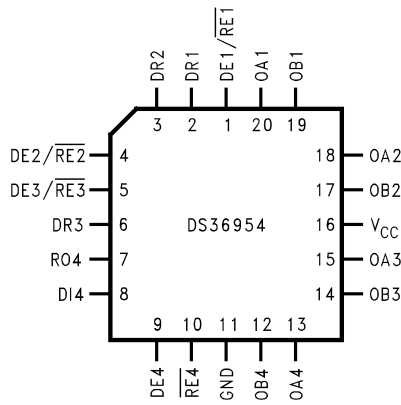
Five devices can implement a complete SCSI initiator or target interface. Three transceivers in a package are pinned

out for data bus connections. The fourth transceiver, with the flexibility provided by its individual enables, can serve as a control bus transceiver.

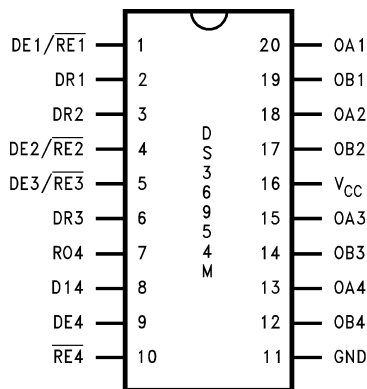
## Features

- Pinout for SCSI interface
- Compact 20-pin PLCC or SOIC package
- Meets EIA-485 standard for multipoint bus transmission
- Greater than 60 mA source/sink currents
- Thermal shutdown protection
- Glitch-free driver outputs on power up and down

## Connection Diagrams

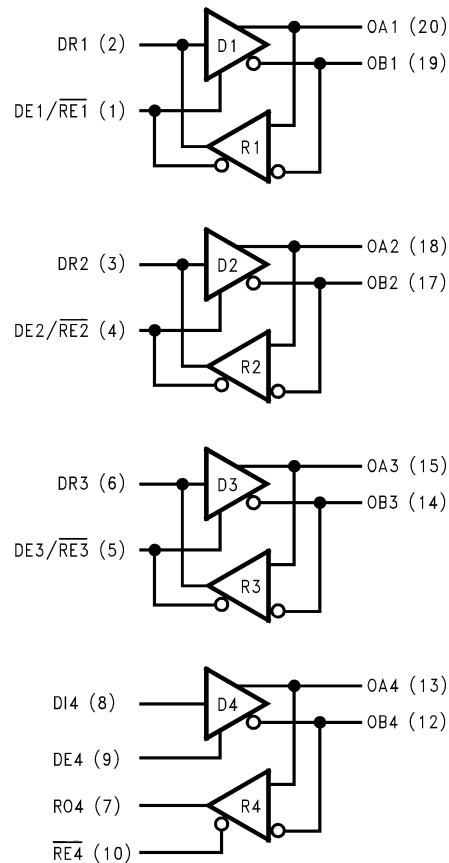


**Order Number DS36954V**  
See NS Package Number V20A



**Order Number DS36954M**  
See NS Package Number M20B

## Logic Diagram



**Absolute Maximum Ratings** (Note 1)

If Military/Aerospace specified devices are required, please contact the National Semiconductor Sales Office/Distributors for availability and specifications.

Supply Voltage	7V
Control Input Voltage	$V_{CC} + 0.5V$
Driver Input Voltage	$V_{CC} + 0.5V$
Driver Output Voltage/ Receiver Input Voltage	-10V to +15V
Receiver Output Voltage	5.5V
Continuous Power Dissipation @ +25°C	
V Package	1.73W
M Package	1.73W
Derate V Package	13.9 mW/°C above +25°C

Derate M Package	13.7 mW/°C above +25°C
Storage Temperature Range	-65°C to +150°C
Lead Temperature (Soldering 4 Sec.)	260°C

**Recommended Operating Conditions**

	Min	Max	Units
Supply Voltage, $V_{CC}$	4.75	5.25	V
Bus Voltage	-7	+12	V
Operating Free Air Temperature ( $T_A$ )	0	+70	°C

**Electrical Characteristics** (Note 2)

Over Supply Voltage and Operating Temperature ranges, unless otherwise specified

Symbol	Parameter	Conditions	Min	Typ	Max	Units
<b>DRIVER CHARACTERISTICS</b>						
$V_{ODL}$	Differential Driver Output Voltage (Full Load)	$I_L = 60\text{ mA}$ $V_{CM} = 0V$	1.5	1.9		V
$V_{OD}$	Differential Driver Output Voltage (Termination Load)	$R_L = 100\Omega$ (EIA-422)	2.0	2.25		V
		$R_L = 54\Omega$ (EIA-485)	1.5	2.0		V
$\Delta IVODI$	Change in Magnitude of Driver Differential Output Voltage for Complementary Output States	$R_L = 54$ or $100\Omega$ (Note 4) (Figure 1) (EIA-422/485)			0.2	V
$V_{OC}$	Driver Common Mode Output Voltage (Note 5)	$R_L = 54\Omega$ (Figure 1) (EIA-485)			3.0	V
$\Delta IVOCI$	Change in Magnitude of Common Mode Output Voltage	(Note 4) (Figure 1) (EIA-422/485)			0.2	V
$V_{OH}$	Output Voltage High	$I_{OH} = -55\text{ mA}$	2.7	3.2		V
$V_{OL}$	Output Voltage Low	$I_{OL} = 55\text{ mA}$		1.4	1.7	V
$V_{IH}$	Input Voltage High		2.0			V
$V_{IL}$	Input Voltage Low				0.8	V
$V_{CL}$	Input Clamp Voltage	$I_{CL} = -18\text{ mA}$			-1.5	V
$I_{IH}$	Input High Current	$V_{IN} = 2.4V$ (Note 3)			20	$\mu A$
$I_{IL}$	Input Low Current	$V_{IN} = 0.4V$ (Note 3)			-20	$\mu A$
$I_{OSC}$	Driver Short-Circuit Output Current (Note 9)	$V_O = -7V$ (EIA-485)		-130	-250	mA
		$V_O = 0V$ (EIA-422)		-90	-150	mA
		$V_O = +12V$ (EIA-485)		130	250	mA
<b>RECEIVER CHARACTERISTICS</b>						
$I_{OSR}$	Short Circuit Output Current	$V_O = 0V$ (Note 9)	-15	-28	-75	mA
$I_{OZ}$	TRI-STATE® Output Current	$V_O = 0.4V$ to $2.4V$			20	$\mu A$
$V_{OH}$	Output Voltage High	$V_{ID} = 0.2V$ , $I_{OH} = 0.4\text{ mA}$	2.4	3.0		V
$V_{OL}$	Output Voltage Low	$V_{ID} = -0.2V$ , $I_{OL} = 4\text{ mA}$		0.35	0.5	V
$V_{TH}$	Differential Input High Threshold Voltage	$V_O = V_{OH}$ , $I_O = -0.4\text{ mA}$ (EIA-422/485)		0.03	0.2	V
$V_{TL}$	Differential Input Low Threshold Voltage (Note 6)	$V_O = V_{OL}$ , $I_O = 4.0\text{ mA}$ (EIA-422/485)	-0.20	-0.03		V
$V_{HST}$	Hysteresis (Note 7)	$V_{CM} = 0V$	35	60		mV

## Electrical Characteristics (Note 2) (Continued)

Over Supply Voltage and Operating Temperature ranges, unless otherwise specified

Symbol	Parameter	Conditions	Min	Typ	Max	Units	
<b>DRIVER AND RECEIVER CHARACTERISTICS</b>							
$V_{IH}$	Enable Input Voltage High		2.0			V	
$V_{IL}$	Enable Input Voltage Low				0.8	V	
$V_{CL}$	Enable Input Clamp Voltage	$I_{CL} = -18 \text{ mA}$			-1.5	V	
$I_{IN}$	Line Input Current (Note 8)	Other Input = 0V $DE/\overline{RE} = 0.8V$ $DE4 = 0.8V$	$V_I = +12V$		0.5	1.0	mA
			$V_I = -7V$		-0.45	-0.8	mA
$I_{ING}$	Line Input Current (Note 8)	Other Input = 0V $DE/\overline{RE}$ and $DE4 = 2V$ $V_{CC} = 3.0V$ $T_A = +25^\circ C$	$V_I = +12V$			1.0	mA
			$V_I = -7V$			-0.8	mA
$I_{IH}$	Enable Input Current High	$V_{IN} = 2.4V$ $DE/\overline{RE}$	$V_{CC} = 3.0V$	1	40	$\mu A$	
			$V_{CC} = 4.75V$	1		$\mu A$	
		$V_{IN} = 2.4V$ $DE4$ or $\overline{RE4}$	$V_{CC} = 3.0V$	1	20	$\mu A$	
			$V_{CC} = 5.25V$	1	20	$\mu A$	
$I_{IL}$	Enable Input Current Low	$V_{IN} = 0.8V$ $DE/\overline{RE}$	$V_{CC} = 3.0V$	-6	-40	$\mu A$	
			$V_{CC} = 4.75V$	-12		$\mu A$	
			$V_{CC} = 5.25V$	-14	-40	$\mu A$	
		$V_{IN} = 0.8V$ $DE4$ or $\overline{RE4}$	$V_{CC} = 3.0V$	-3	-20	$\mu A$	
$V_{CC} = 5.25V$	-7		-20	$\mu A$			
$I_{CCD}$	Supply Current (Note 10)	No Load, $DE/\overline{RE}$ and $DE4 = 2.0V$		75	90	mA	
$I_{CCR}$	Supply Current (Note 10)	No Load, $DE/\overline{RE}$ and $\overline{RE4} = 0.8V$		50	70	mA	

## Switching Characteristics

Over Supply Voltage and Operating Temperature ranges, unless otherwise specified.

Symbol	Parameter	Conditions	Min	Typ	Max	Units
<b>DRIVER SINGLE-ENDED CHARACTERISTICS</b>						
$t_{PZH}$	Output Enable Time to High Level	$R_L = 110\Omega$ (Figure 5) (Figure 6) (Figure 5) (Figure 6)		35	40	ns
$t_{PZL}$	Output Enable Time to Low Level			25	40	ns
$t_{PHZ}$	Output Disable Time to High Level			15	25	ns
$t_{PLZ}$	Output Disable Time to Low Level			35	40	ns
<b>DRIVER DIFFERENTIAL CHARACTERISTICS</b>						
$t_r, t_f$	Rise and Fall Time	$R_L = 54\Omega$ $C_L = 50 \text{ pF}$ $C_D = 15 \text{ pF}$ (Figures 3, 4, 9)		13	16	ns
$t_{PLHD}$	Differential Propagation		9	15	19	ns
$t_{PHLD}$	Delays (Note 15)		9	12	19	ns
$t_{SKD}$	$ t_{PLHD} - t_{PHLD} $ Diff. Skew		3	6		ns
<b>RECEIVER CHARACTERISTICS</b>						
$t_{PLHD}$	Differential Propagation Delays	$C_L = 15 \text{ pF}$ $V_{CM} = 2.0V$ (Figure 7)	9	14	19	ns
$t_{PHLD}$			9	13	19	ns
$t_{SKD}$	$ t_{PLHD} - t_{PHLD} $ Diff. Receiver Skew		1	3		ns
$t_{PZH}$	Output Enable Time to High Level	$C_L = 15 \text{ pF}$ (Figure 8)		15	22	ns
$t_{PZL}$	Output Enable Time to Low Level			20	30	ns
$t_{PHZ}$	Output Disable Time from High Level			20	30	ns
$t_{PLZ}$	Output Disable Time from Low Level			17	25	ns

**Note 1:** "Absolute Maximum Ratings" are those values beyond which the safety of the device cannot be guaranteed. They are not meant to imply that the devices should be operated at these limits. The tables of "Electrical Characteristics" specify conditions for device operation.

**Note 2:** Current into device pins is defined as positive. Current out of device pins is defined as negative. All voltages are referenced to ground unless otherwise specified.

## Switching Characteristics (Continued)

**Note 3:**  $I_{IH}$  and  $I_{IL}$  include driver input current and receiver TRI-STATE leakage current on DR(1-3).

**Note 4:**  $\Delta IVODI$  and  $\Delta IVOCI$  are changes in magnitude of  $V_{OD}$  and  $V_{OC}$ , respectively, that occur when the input changes state.

**Note 5:** In EIA Standards EIA-422 and EIA-485,  $V_{OC}$ , which is the average of the two output voltages with respect to ground, is called output offset voltage,  $V_{OS}$ .

**Note 6:** Threshold parameter limits specified as an algebraic value rather than by magnitude.

**Note 7:** Hysteresis defined as  $V_{HST} = V_{TH} - V_{TL}$ .

**Note 8:**  $I_{IN}$  includes the receiver input current and driver TRI-STATE leakage current.

**Note 9:** Short one output at a time.

**Note 10:** Total package supply current.

**Note 11:** All typicals are given for  $V_{CC} = 5.0V$  and  $T_A = +25^\circ C$ .

## Parameter Measurement Information

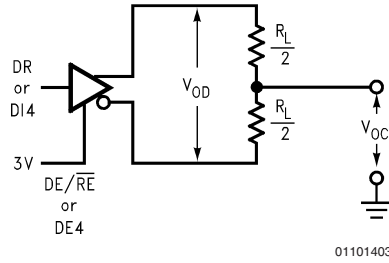


FIGURE 1. Driver  $V_{OD}$  and  $V_{OC}$  (Note 13)

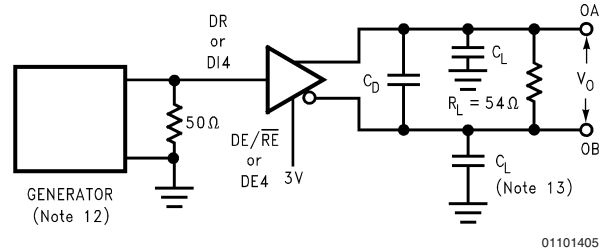


FIGURE 3. Driver Differential Propagation Delay Load Circuit

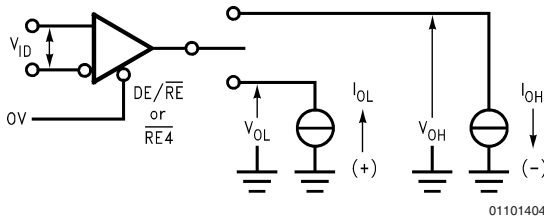


FIGURE 2. Receiver  $V_{OH}$  and  $V_{OL}$

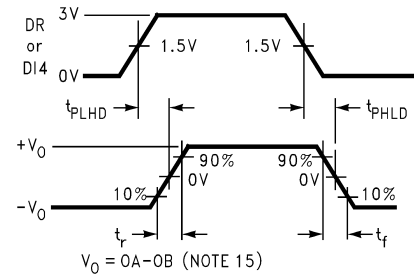
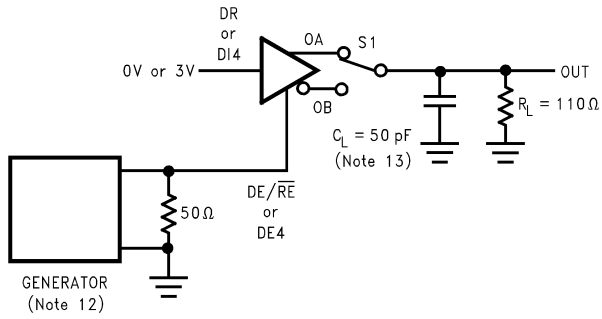


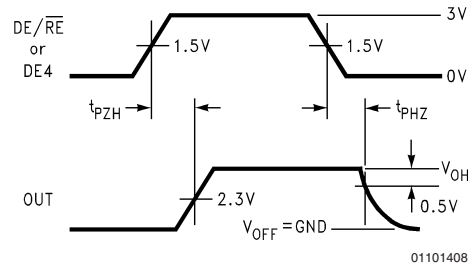
FIGURE 4. Driver Differential Propagation Delays and Transition Times

Parameter Measurement Information (Continued)



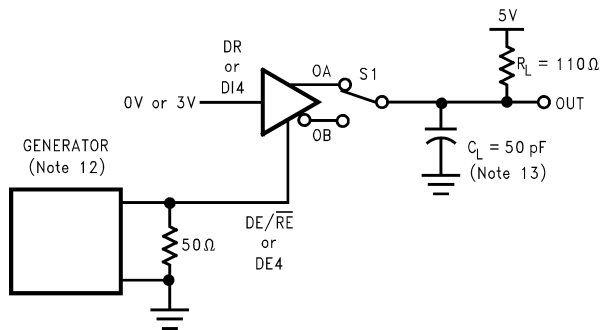
01101407

S1 to OA for DI = 3V  
S1 to OB for DI = 0V



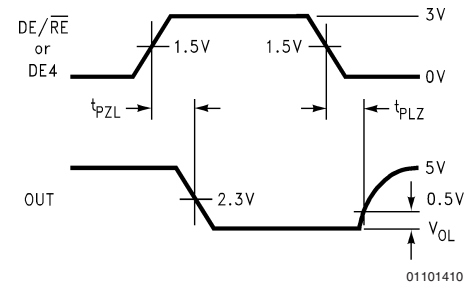
01101408

FIGURE 5. Driver Enable and Disable Timing ( $t_{PZH}$ ,  $t_{PHZ}$ )



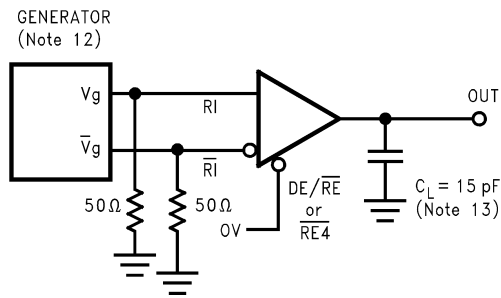
01101409

S1 to OA for DI = 0V  
S1 to OB for DI = 3V

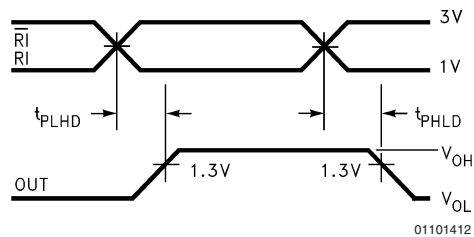


01101410

FIGURE 6. Driver Enable and Disable Timing ( $t_{PZL}$ ,  $t_{PLZ}$ )



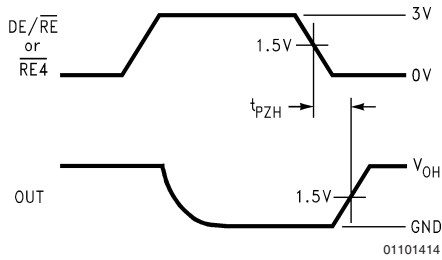
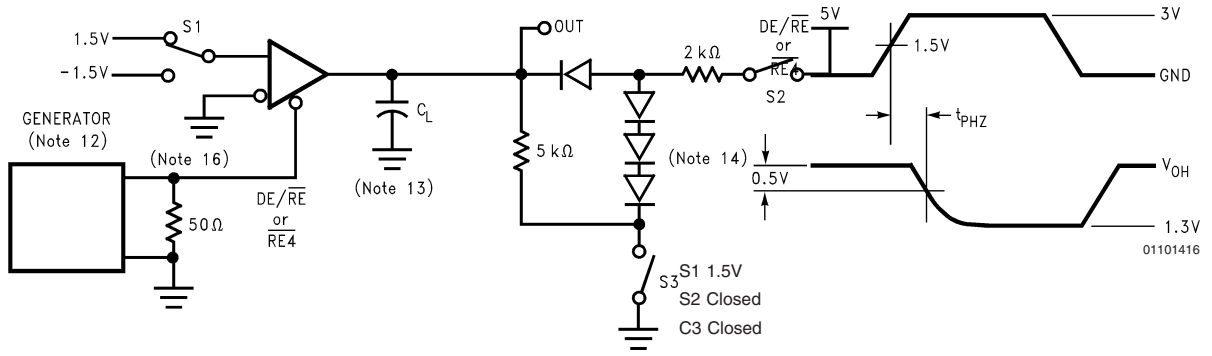
01101411



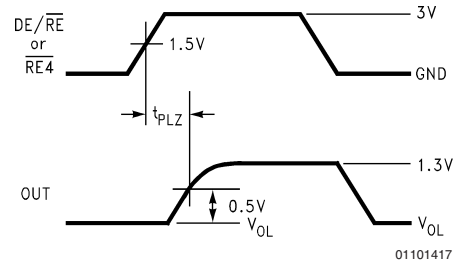
01101412

FIGURE 7. Receiver Differential Propagation Delay Timing

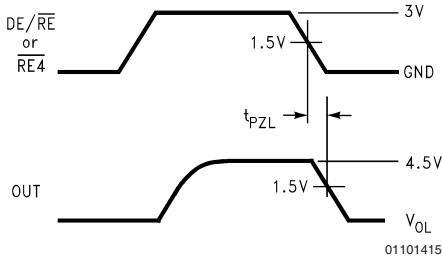
Parameter Measurement Information (Continued)



S1 1.5V  
S2 Open  
S3 Closed



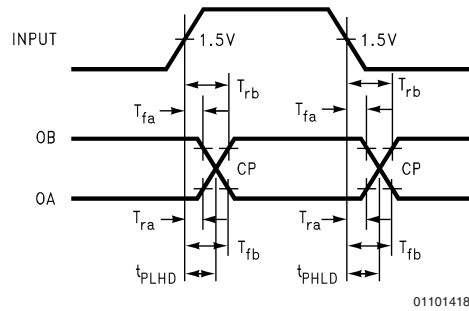
S1 -1.5V  
S2 Closed  
S3 Closed



S1 -1.5V  
S2 Closed  
S3 Open

FIGURE 8. Receiver Enable and Disable Timing

## Parameter Measurement Information (Continued)



$$T_{CP} = \frac{(T_{fb} \times T_{rb}) - (T_{ra} \times T_{fa})}{T_{rb} - T_{ra} - T_{fa} + T_{fb}}$$

$T_{ra}$ ,  $T_{rb}$ ,  $T_{fa}$  and  $T_{fb}$  are propagation delay measurements to the 20% and 80% levels.

$T_{CP}$  = Crossing Point

**FIGURE 9. Propagation Delay Timing for Calculations of Driver Differential Propagation Delays**

**Note 12:** The input pulse is supplied by a generator having the following characteristics:  $f = 1.0$  MHz, 50% duty cycle,  $t_r$  and  $t_f < 6.0$  ns,  $Z_0 = 50\Omega$ .

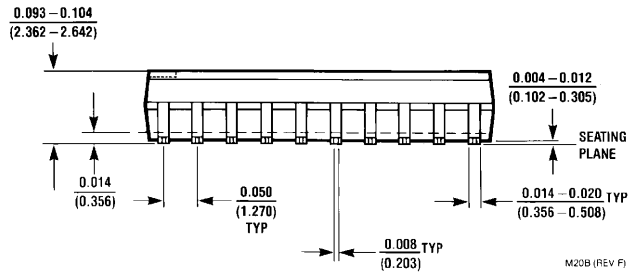
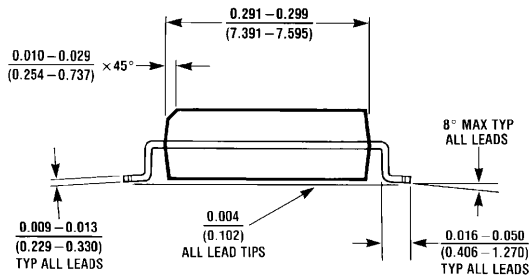
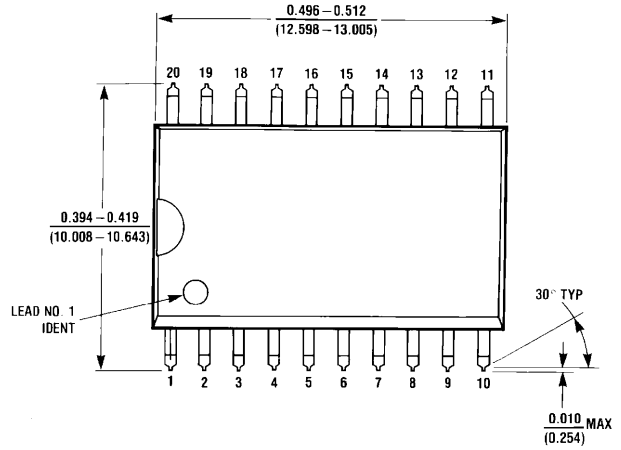
**Note 13:**  $C_L$  includes probe and stray capacitance.

**Note 14:** Diodes are 1N916 or equivalent.

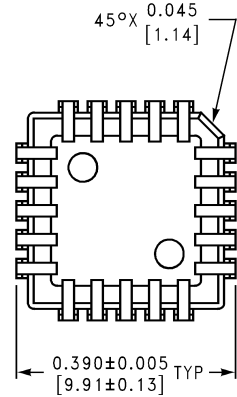
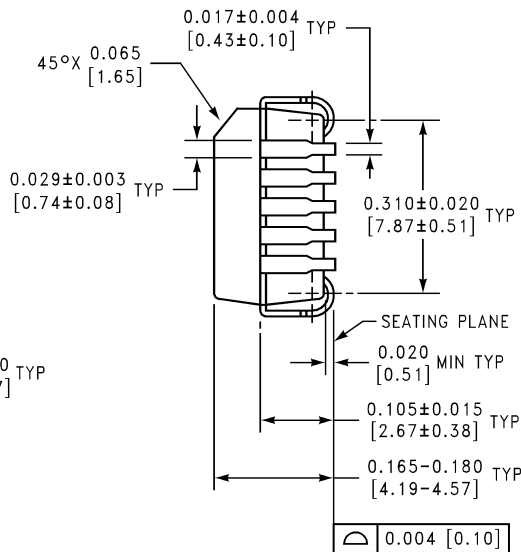
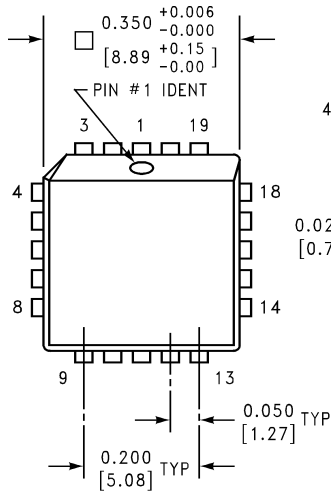
**Note 15:** Differential propagation delays are calculated from single-ended propagation delays measured from driver input to the 20% and 80% levels on the driver outputs (Figure 9).

**Note 16:** On transceivers 1–3 the driver is loaded with receiver input conditions when  $\overline{DE}/\overline{RE}$  is high. Do not exceed the package power dissipation limit when testing.

**Physical Dimensions** inches (millimeters)  
unless otherwise noted



**Order Number DS36954M**  
**NS Package Number M20B**



**Order Number DS36954V**  
**NS Package Number V20A**

V20A (REV L)

## Notes

National does not assume any responsibility for use of any circuitry described, no circuit patent licenses are implied and National reserves the right at any time without notice to change said circuitry and specifications.

For the most current product information visit us at [www.national.com](http://www.national.com).

### LIFE SUPPORT POLICY

NATIONAL'S PRODUCTS ARE NOT AUTHORIZED FOR USE AS CRITICAL COMPONENTS IN LIFE SUPPORT DEVICES OR SYSTEMS WITHOUT THE EXPRESS WRITTEN APPROVAL OF THE PRESIDENT AND GENERAL COUNSEL OF NATIONAL SEMICONDUCTOR CORPORATION. As used herein:

1. Life support devices or systems are devices or systems which, (a) are intended for surgical implant into the body, or (b) support or sustain life, and whose failure to perform when properly used in accordance with instructions for use provided in the labeling, can be reasonably expected to result in a significant injury to the user.
2. A critical component is any component of a life support device or system whose failure to perform can be reasonably expected to cause the failure of the life support device or system, or to affect its safety or effectiveness.

### BANNED SUBSTANCE COMPLIANCE

National Semiconductor certifies that the products and packing materials meet the provisions of the Customer Products Stewardship Specification (CSP-9-111C2) and the Banned Substances and Materials of Interest Specification (CSP-9-111S2) and contain no "Banned Substances" as defined in CSP-9-111S2.



**National Semiconductor**  
Americas Customer  
Support Center  
Email: [new.feedback@nsc.com](mailto:new.feedback@nsc.com)  
Tel: 1-800-272-9959

**National Semiconductor**  
Europe Customer Support Center  
Fax: +49 (0) 180-530 85 86  
Email: [europe.support@nsc.com](mailto:europe.support@nsc.com)  
Deutsch Tel: +49 (0) 69 9508 6208  
English Tel: +44 (0) 870 24 0 2171  
Français Tel: +33 (0) 1 41 91 8790

**National Semiconductor**  
Asia Pacific Customer  
Support Center  
Email: [ap.support@nsc.com](mailto:ap.support@nsc.com)

**National Semiconductor**  
Japan Customer Support Center  
Fax: 81-3-5639-7507  
Email: [jpn.feedback@nsc.com](mailto:jpn.feedback@nsc.com)  
Tel: 81-3-5639-7560

[www.national.com](http://www.national.com)

# National Semiconductor was acquired by Texas Instruments.

[http://www.ti.com/corp/docs/investor\\_relations/pr\\_09\\_23\\_2011\\_national\\_semiconductor.html](http://www.ti.com/corp/docs/investor_relations/pr_09_23_2011_national_semiconductor.html)

This file is the datasheet for the following electronic components:

DS36954M - <http://www.ti.com/product/ds36954m?HQS=TI-null-null-dscatalog-df-pf-null-wwe>

DS36954MX - <http://www.ti.com/product/ds36954mx?HQS=TI-null-null-dscatalog-df-pf-null-wwe>

DS36954V - <http://www.ti.com/product/ds36954v?HQS=TI-null-null-dscatalog-df-pf-null-wwe>

DS36954VX - <http://www.ti.com/product/ds36954vx?HQS=TI-null-null-dscatalog-df-pf-null-wwe>



LittleDiode supplies new, hard to find or obsolete electronic components and semiconductors all over the world.

With over two million different components listed you are sure to find the part you need.

Feel free to visit us today at our online store:

[LittleDiode.com](http://LittleDiode.com)

Looking forward to providing you with the best possible service.