

Low Cost Two-Way SMT Power Divider 1920-2170 MHz



Features

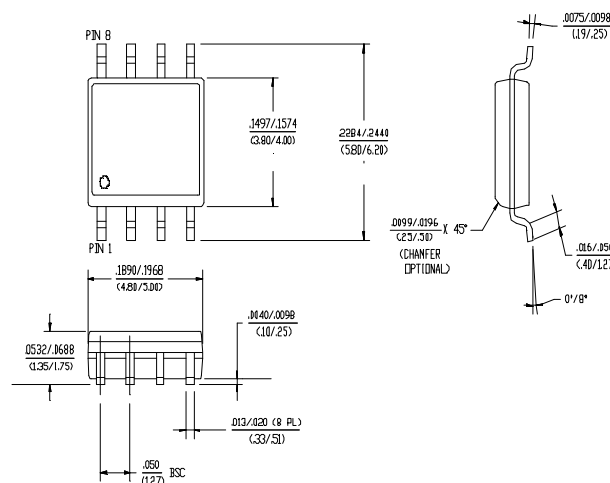
- Small Size and Low Profile
- Industry Standard SOIC-8 SMT Plastic Package
- Excellent Amplitude and Phase Balance
- Superior Repeatability
- Typical Insertion Loss 0.7 dB
- Typical Isolation 21 dB
- 1 Watt Power Handling

Description

M/A-COM's DS52-0002 is an IC-based monolithic power divider in a low cost SOIC-8 plastic package. This 2-way power divider is ideally suited for applications where small size, low insertion loss, superior phase/amplitude tracking and low cost are required. Typical applications include base station switching networks and other communication applications where size and PCB real estate are a premium. Available in tape and reel.

The DS52-0002 is fabricated using a passive-integrated circuit process. The process features full-chip passivation for increased performance and reliability.

SOIC-8



Ordering Information

Part Number	Package
DS52-0002	SOIC-8 Lead Plastic Package
DS52-0002-TR	Forward Tape and Reel ¹
DS52-0002-RTR	Reverse Tape and Reel ¹

1. If specific reel size is required, consult factory for part number assignment.

Typical Electrical Specifications¹, T_A = +25°C

Parameter	Units	Min	Typ	Max
Insertion Loss Above 3.0dB	dB	—	0.7	0.9
Isolation	dB	15	21	—
VSWR Input RL	—	—	1.7:1	2.0:1
VSWR Output RL	—	—	1.5:1	1.7:1
Amplitude Balance	dB	—	0.06	0.20
Phase Balance	°	—	1.0	3.0

1. All specifications apply with a 50-Ohm source and load impedance.



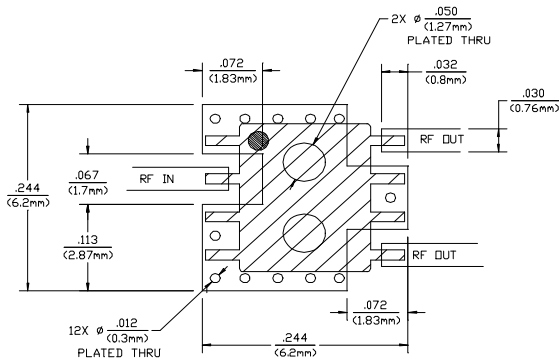
Absolute Maximum Ratings¹

Parameter	Absolute Maximum
Input Power ²	1 W CW
Operating Temperature	-40°C to +85°C
Storage Temperature	-65°C to +150°C

1. Exceeding these limits may cause permanent damage.
2. With Internal load dissipation of 0.125 W maximum.

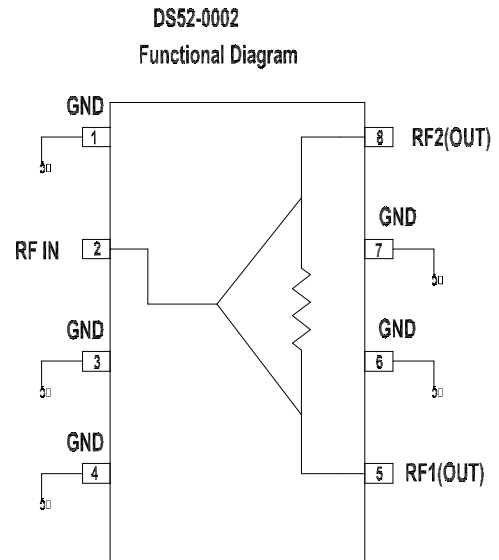
Recommended PCB Configuration

(Dimensions in Inches)



DS52-0001 PCB LAYOUT (SOIC-8 CASE)
SCALE: 1X
CIRCUIT MATERIAL: FR-4, .016 THICK
ALL RF PDRTS ARE 50 OHMS

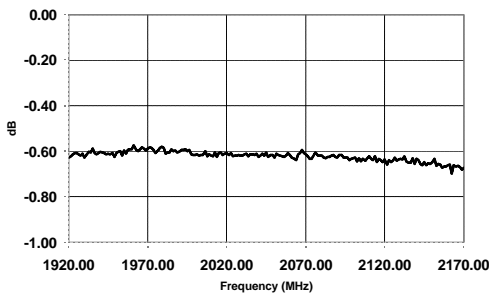
Functional Diagram³



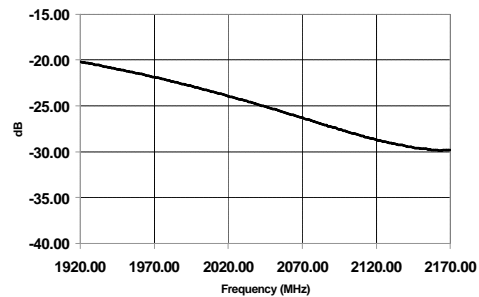
Pins 1, 3, 4, 6 and 7 must be DC and RF grounded

Typical Performance @ +25°C

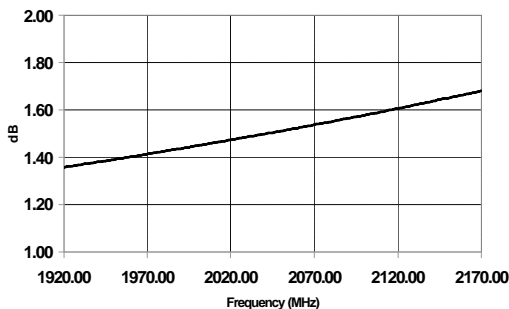
INSERTION LOSS VS FREQUENCY



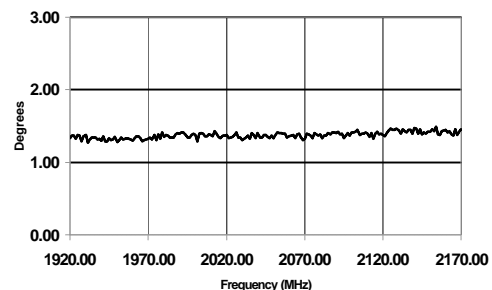
ISOLATION VS FREQUENCY



VSWR VS FREQUENCY



**PHASE BALANCE VS FREQUENCY
RELATIVE TO RF1**



S 1560C VER 3



M/A-COM ■ North America: Tel. (800) 366-2266, Fax (800) 618-8883 ■ Asia/Pacific: Tel.+85 2 2111 8088, Fax +85 2 2111 8087 ■ Europe: Tel. +44 (1344) 869 595, Fax+44 (1344) 300 020



LittleDiode supplies new, hard to find or obsolete electronic components and semiconductors all over the world.

With over two million different components listed you are sure to find the part you need.

Feel free to visit us today at our online store:

LittleDiode.com

Looking forward to providing you with the best possible service.