

DS1489/DS1489A

Quad Line Receiver

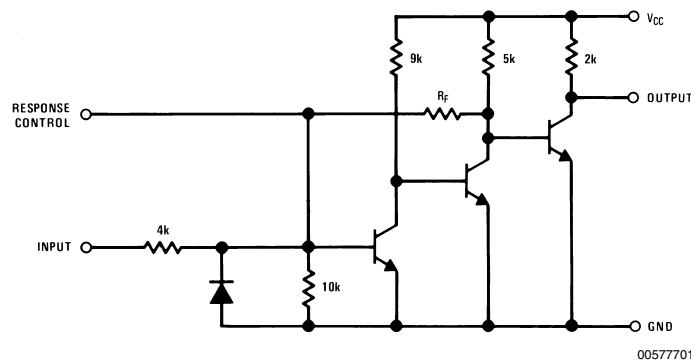
General Description

The DS1489/DS1489A are quad line receivers designed to interface data terminal equipment with data communications equipment. They are constructed on a single monolithic silicon chip. These devices satisfy the specifications of EIA Standard RS-232D. The DS1489/DS1489A meet and exceed the specifications of MC1489/MC1489A and are pin-for-pin replacements.

Features

- Four separate receivers per package
- Programmable threshold
- Built-in input threshold hysteresis
- "Fail safe" operating mode: high output for open inputs
- Inputs withstand $\pm 30V$

Schematic and Connection Diagrams

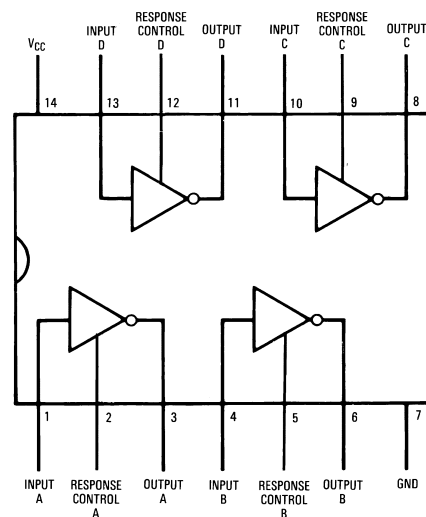


(1/4 of unit shown)

DS1489: $R_F = 10k$

DS1489A: $R_F = 2k$

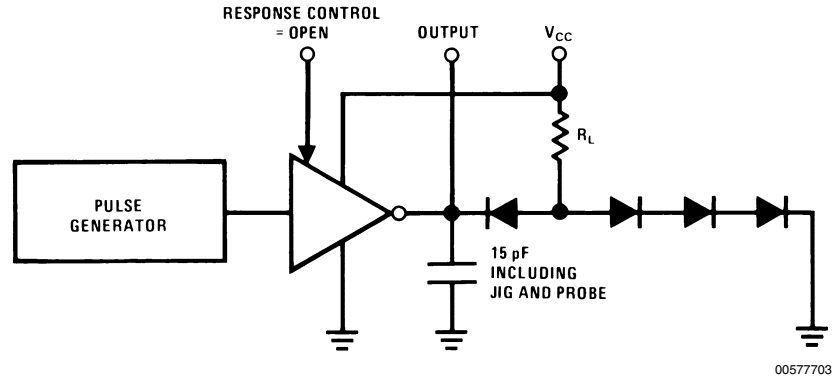
Dual-In-Line or Small-Out Line Package



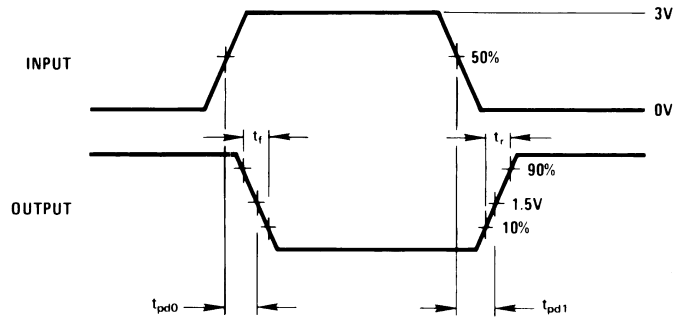
Top View

Order Number DS1489M, DS1489MX, DS1489N, DS1489AM, DS1489AMX or DS1489AN
See NS Package Number M14A or N14A

AC Test Circuit and Voltage Waveforms



00577703



00577704

FIGURE 1.

Absolute Maximum Ratings (Note 2)

If Military/Aerospace specified devices are required, please contact the National Semiconductor Sales Office/Distributors for availability and specifications.

Power Supply Voltage	10V	Maximum Power Dissipation (Note 1) at 25°C	
Input Voltage Range	±30V	Molded DIP Package	1207 mW
Output Load Current	20 mA	SO Package	1042 mW
Power Dissipation (Note 3)	1W	Lead Temperature (Soldering,	
Operating Temperature Range	0°C to +75°C	4 sec.)	260°C
Storage Temperature Range	-65°C to +150°C		

Note 1: Derate molded DIP package 9.7 mW/°C above 25°C; derate SO package 8.33 mW/°C above 25°C.

Electrical Characteristics (Notes 3, 4, 5)

DS1489/DS1489A: The following apply for $V_{CC} = 5.0V \pm 1\%$, $0^\circ C \leq T_A \leq +75^\circ C$ unless otherwise specified.

Symbol	Parameter	Conditions		Min	Typ	Max	Units	
V_{TH}	Input High Threshold Voltage	$V_{OUT} \leq 0.45V$, $I_{OUT} = 10 \text{ mA}$	DS1489	$T_A = 25^\circ C$	1.0	1.25	1.5	V
					0.9		1.6	V
		DS1489A	$T_A = 25^\circ C$	1.75	2.00	2.25	V	
				1.55		2.40	V	
V_{TL}	Input Low Threshold Voltage	$V_{OUT} \geq 2.5V$, $I_{OUT} = -0.5 \text{ mA}$	$T_A = 25^\circ C$	0.75	1.00	1.25	V	
				0.65		1.35	V	
I_{IN}	Input Current	$V_{IN} = +25V$		+3.6	+5.6	+8.3	mA	
		$V_{IN} = -25V$		-3.6	-5.6	-8.3	mA	
		$V_{IN} = +3V$		+0.43	+0.53		mA	
		$V_{IN} = -3V$		-0.43	-0.53		mA	
V_{OH}	Output High Voltage	$I_{OUT} = -0.5 \text{ mA}$	$V_{IN} = 0.75V$	2.6	3.8	5.0	V	
			Input = Open	2.6	3.8	5.0	V	
V_{OL}	Output Low Voltage	$V_{IN} = 3.0V$, $I_{OUT} = 10 \text{ mA}$			0.33	0.45	V	
I_{SC}	Output Short Circuit Current	$V_{IN} = 0.75V$			-3.0		mA	
I_{CC}	Supply Current	$V_{IN} = 5.0V$			14	26	mA	
P_d	Power Dissipation	$V_{IN} = 5.0V$			70	130	mW	

Switching Characteristics

$V_{CC} = 5V$, $T_A = 25^\circ C$

Symbol	Parameter	Conditions	Min	Typ	Max	Units
t_{pd1}	Input to Output "High" Propagation Delay	$R_L = 3.9k$, (Figure 1) (AC Test Circuit)		28	85	ns
t_{pd0}	Input to Output "Low" Propagation Delay	$R_L = 390\Omega$, (Figure 1) (AC Test Circuit)		20	50	ns
t_r	Output Rise Time	$R_L = 3.9k$, (Figure 1) (AC Test Circuit)		110	175	ns
t_f	Output Fall Time	$R_L = 390\Omega$, (Figure 1) (AC Test Circuit)		9	20	ns

Note 2: "Absolute Maximum Ratings" are those values beyond which the safety of the device cannot be guaranteed. Except for "Operating Temperature Range" they are not meant to imply that the devices should be operated at these limits. The table of "Electrical Characteristics" provides conditions for actual device operation.

Note 3: Unless otherwise specified min/max limits apply across the 0°C to +75°C temperature range for the DS1489 and DS1489A.

Note 4: All currents into device pins shown as positive, out of device pins as negative, all voltages referenced to ground unless otherwise noted. All values shown as max or min on absolute value basis.

Note 5: These specifications apply for response control pin = open.

Typical Characteristics $V_{CC} = 5.0V, T_A = +25^\circ C$ unless otherwise noted

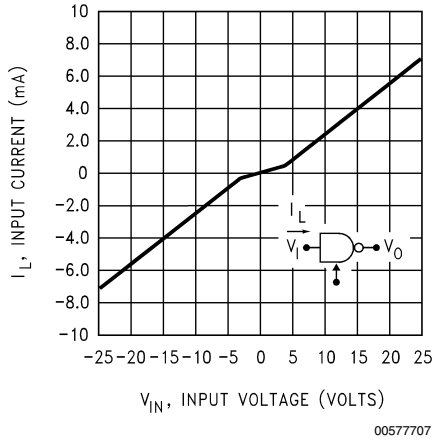


FIGURE 2. Input Current

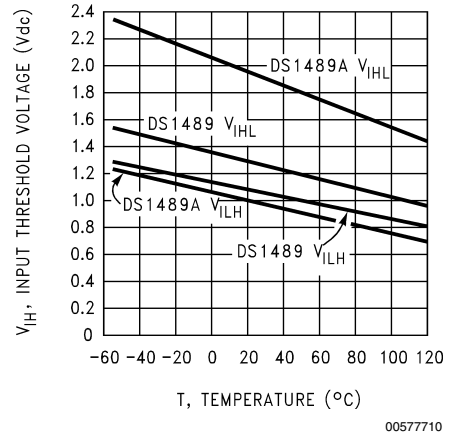


FIGURE 5. Input Threshold Voltage vs Temperature

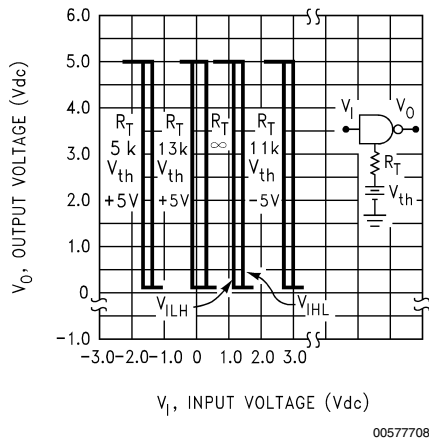


FIGURE 3. DS1489 Input Threshold Voltage Adjustment

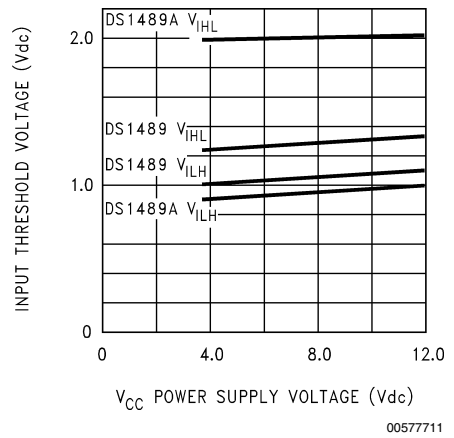


FIGURE 6. Input Threshold vs Power Supply Voltage

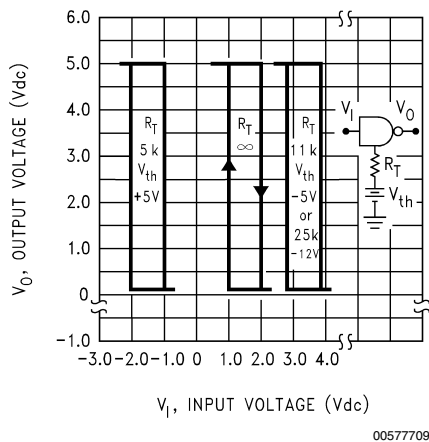


FIGURE 4. DS1489A Input Threshold Voltage Adjustment

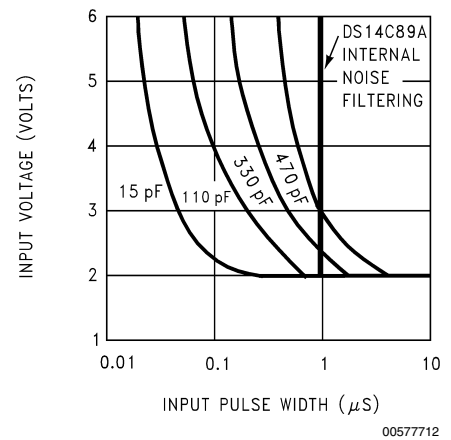
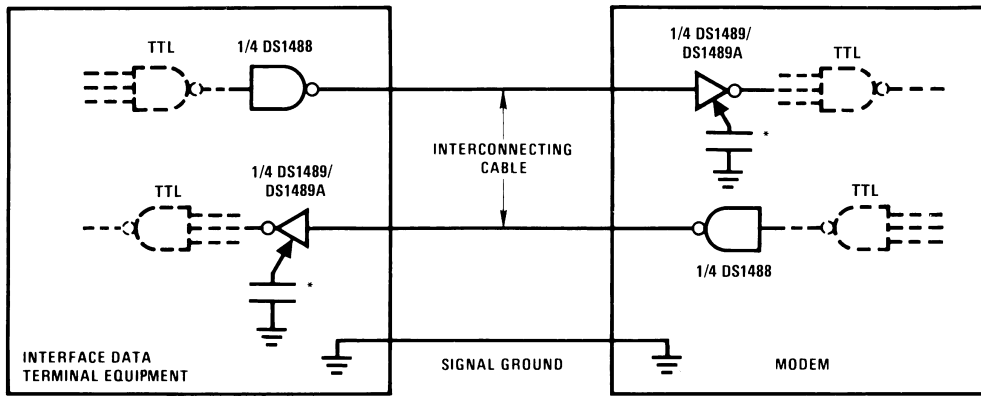


FIGURE 7. Noise Rejection vs Capacitance for DS1489A

Typical Application Information

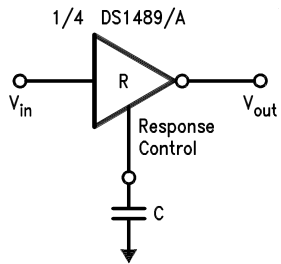


00577705

*Optional for noise filtering.

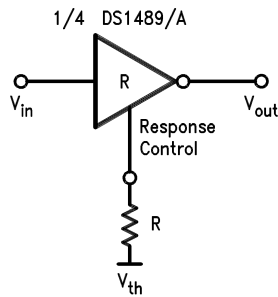
Applications Using the Response Control Pin

Noise Filter
See Figure 7



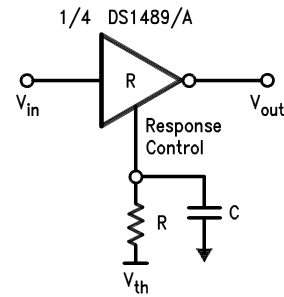
00577713

Threshold Shift
See Figures 3, 4



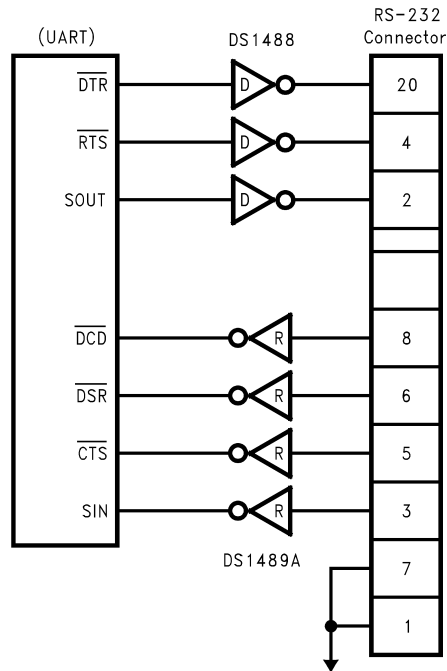
00577714

Noise Filter and Threshold Shift
See Figures 3, 4, 7



00577715

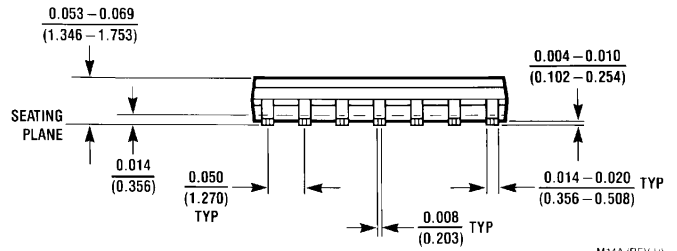
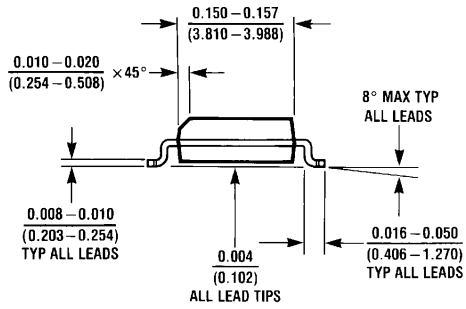
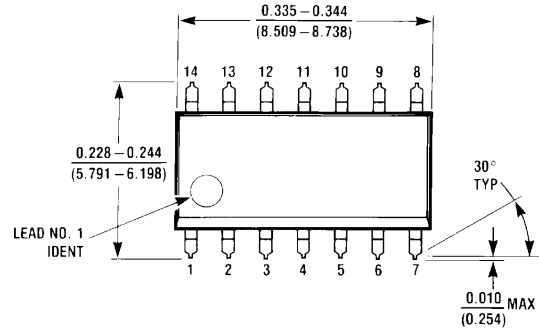
Application of DS1488, DS1489A and UART



00577716

Physical Dimensions inches (millimeters)

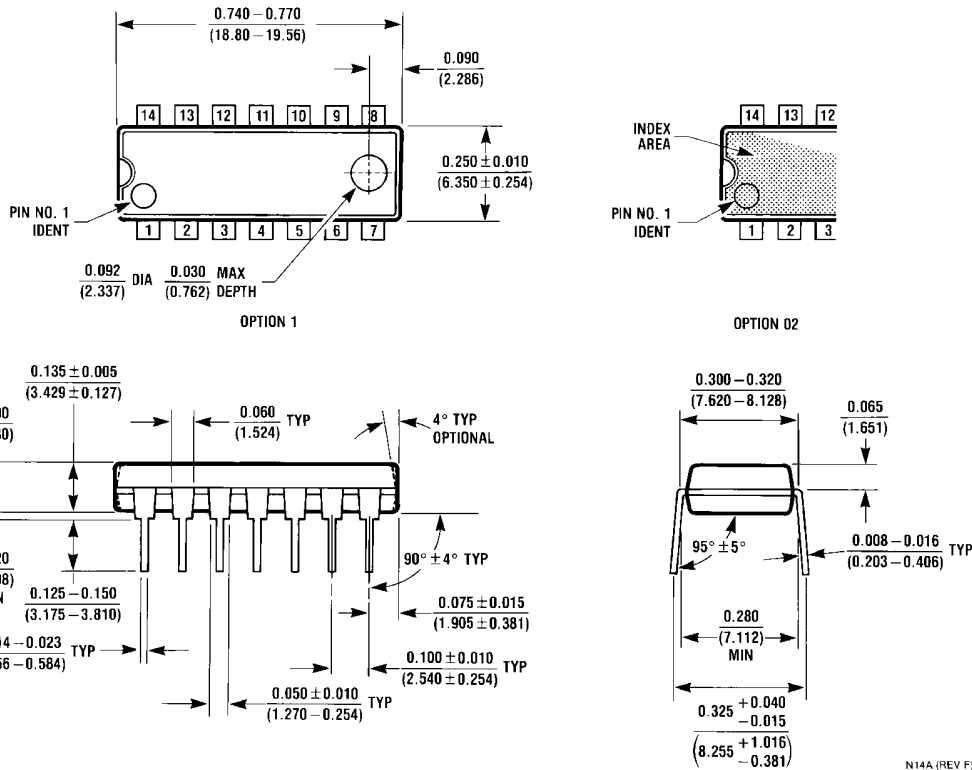
unless otherwise noted



M14A (REV HI)

SO Package (M)
Order Number DS1489M, DS1489MX or DS1489AM, DS1489AMX
NS Package Number M14A

Physical Dimensions inches (millimeters) unless otherwise noted (Continued)



Molded Dual-In-Line Package (N)
Order Number DS1489N or DS1489AN
NS Package Number N14A

N14A (REV F)

LIFE SUPPORT POLICY

NATIONAL'S PRODUCTS ARE NOT AUTHORIZED FOR USE AS CRITICAL COMPONENTS IN LIFE SUPPORT DEVICES OR SYSTEMS WITHOUT THE EXPRESS WRITTEN APPROVAL OF THE PRESIDENT AND GENERAL COUNSEL OF NATIONAL SEMICONDUCTOR CORPORATION. As used herein:

1. Life support devices or systems are devices or systems which, (a) are intended for surgical implant into the body, or (b) support or sustain life, and whose failure to perform when properly used in accordance with instructions for use provided in the labeling, can be reasonably expected to result in a significant injury to the user.
2. A critical component is any component of a life support device or system whose failure to perform can be reasonably expected to cause the failure of the life support device or system, or to affect its safety or effectiveness.



National Semiconductor Corporation
 Americas
 Email: support@nsc.com

National Semiconductor Europe
 Fax: +49 (0) 180-530 85 86
 Email: europe.support@nsc.com
 Deutsch Tel: +49 (0) 69 9508 6208
 English Tel: +44 (0) 870 24 0 2171
 Français Tel: +33 (0) 1 41 91 8790

National Semiconductor Asia Pacific Customer Response Group
 Tel: 65-2544466
 Fax: 65-2504466
 Email: ap.support@nsc.com

National Semiconductor Japan Ltd.
 Tel: 81-3-5639-7560
 Fax: 81-3-5639-7507

www.national.com

National Semiconductor was acquired by Texas Instruments.

http://www.ti.com/corp/docs/investor_relations/pr_09_23_2011_national_semiconductor.html

This file is the datasheet for the following electronic components:

DS1489AM - <http://www.ti.com/product/ds1489am?HQS=TI-null-null-dscatalog-df-pf-null-wwe>

DS1489N - <http://www.ti.com/product/ds1489n?HQS=TI-null-null-dscatalog-df-pf-null-wwe>

DS1489MX - <http://www.ti.com/product/ds1489mx?HQS=TI-null-null-dscatalog-df-pf-null-wwe>

DS1489M - <http://www.ti.com/product/ds1489m?HQS=TI-null-null-dscatalog-df-pf-null-wwe>

DS1489AN - <http://www.ti.com/product/ds1489an?HQS=TI-null-null-dscatalog-df-pf-null-wwe>

DS1489AMX - <http://www.ti.com/product/ds1489amx?HQS=TI-null-null-dscatalog-df-pf-null-wwe>



LittleDiode supplies new, hard to find or obsolete electronic components and semiconductors all over the world.

With over two million different components listed you are sure to find the part you need.

Feel free to visit us today at our online store:

LittleDiode.com

Looking forward to providing you with the best possible service.