

April 13, 1998

ELECTRICAL CHARACTERISTICS

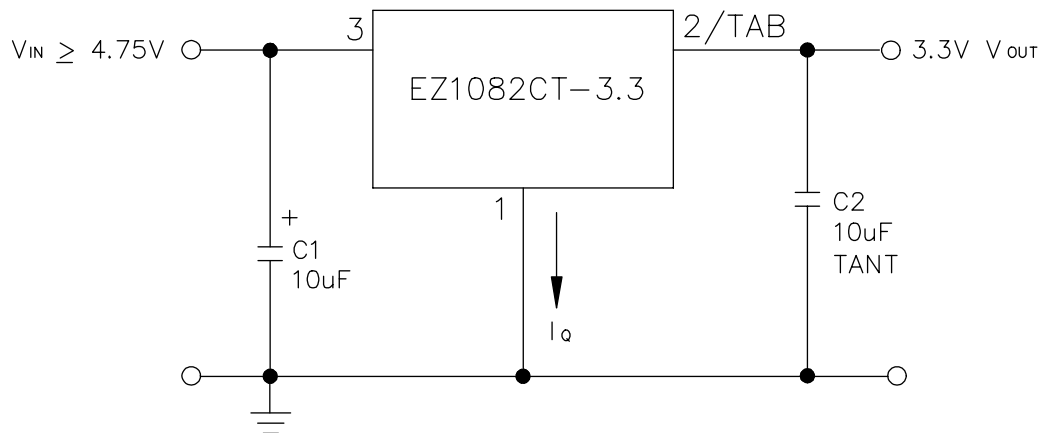
 Unless otherwise specified, Adj $V_{IN} = 2.75V$ to $7.0V$ and Adj $I_O = 10mA$ to $10.0A$;
 Fixed $V_{IN} = 4.75$ to $7.0V$ and Fixed $I_O = 0$ mA to $10.0A$

Parameter	Symbol	Test Conditions			Test Limits			Units
		V_{IN}	I_O	$T_J^{(4)}$	Min	Typ	Max	
Output Voltage ⁽¹⁾	V_O	5V	0mA	25°C	0.99 V_O	V_O	1.01 V_O	V
Fixed Voltage Version				O.T.	0.98 V_O	V_O	1.02 V_O	
Reference Voltage ⁽¹⁾	V_{REF}	5V	10mA	25°C	1.238	1.250	1.262	V
Adj Voltage Version				O.T.	1.225	1.250	1.275	
Line Regulation ⁽¹⁾	$REG_{(LINE)}$		10mA	25°C		0.015	0.2	%
				O.T.		0.035	0.2	
Load Regulation ⁽¹⁾	$REG_{(LOAD)}$	5V		25°C		0.05	0.3	%
				O.T.		0.2	0.4	
Dropout Voltage	V_D			25°C		1.2		V
$\Delta V_{OUT}, \Delta V_{REF} = 1\%$				O.T.		1.2	1.3	
Current Limit	I_{CL}			O.T.	10.0	12		A
Quiescent Current Fixed Voltage Version	I_Q	5V		O.T.		12	14	mA
Temperature Coefficient	T_C			O.T.		0.005		%/°C
Adjust Pin Current	I_{ADJ}			25°C		55		μA
				O.T.			90	
Adjust Pin Current Change	ΔI_{ADJ}			O.T.		0.2	5	μA
Temperature Stability	T_S	5V	0.5A	O.T.		0.5		%
Minimum Load Current Adj Voltage Version	I_O	5V		O.T.		5	10	mA
RMS Output Noise ⁽²⁾	V_N			25°C		0.003		% V_O
Ripple Rejection Ratio ⁽³⁾	R_A	5V	10.0A	O.T.	60	72		dB

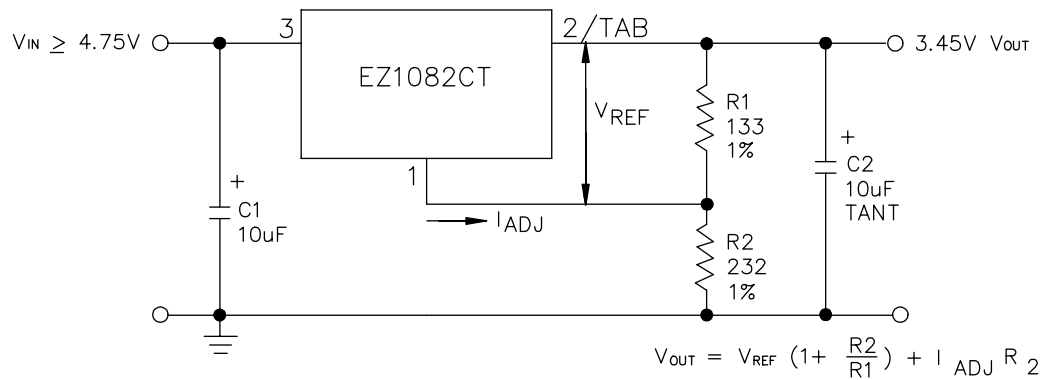
NOTES:

- (1) Low duty cycle pulse testing with Kelvin connections required.
- (2) Bandwidth of 10 Hz to 10 kHz.
- (3) 120 Hz input ripple (C_{ADJ} for ADJ = 25 μF).
- (4) Over Temp. (O.T.) = over specified operating junction temperature range.

April 13, 1998

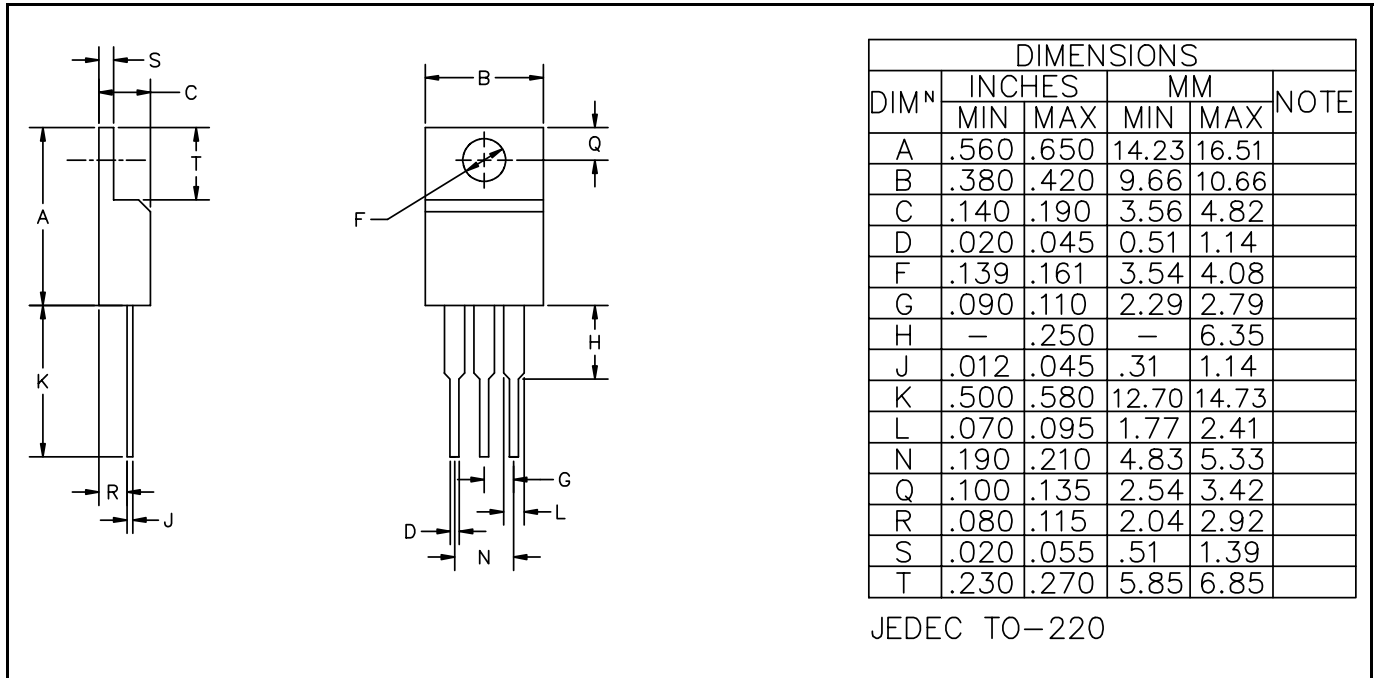
TYPICAL APPLICATIONS
FIXED VOLTAGE REGULATOR ⁽¹⁾⁽²⁾


- (1) C1 NEEDED IF DEVICE IS FAR FROM FILTER CAPACITORS.
 (2) C2 REQUIRED FOR STABILITY.

ADJUSTABLE VOLTAGE REGULATOR ⁽¹⁾⁽²⁾


- (1) C1 NEEDED IF DEVICE IS FAR FROM FILTER CAPACITORS.
 (2) C2 REQUIRED FOR STABILITY.

April 13, 1998

OUTLINE - TO-220


This datasheet has been downloaded from:

www.DatasheetCatalog.com

Datasheets for electronic components.



LittleDiode supplies new, hard to find or obsolete electronic components and semiconductors all over the world.

With over two million different components listed you are sure to find the part you need.

Feel free to visit us today at our online store:

LittleDiode.com

Looking forward to providing you with the best possible service.