

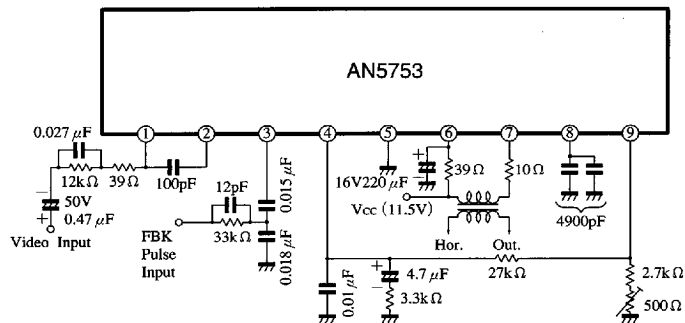
■ Absolute Maximum Ratings (Ta=25°C)

Parameter	Symbol	Rating	Unit
Supply voltage	V _{CC}	13.2	V
Supply current	I _{CC}	50	mA
Power dissipation	P _D	660	mW
Temperature	Operating ambient temperature	T _{opr}	-20 to +70
	Storage temperature	T _{stg}	-40 to +150

■ Electrical Characteristics (Ta=25°C)

Parameter	Symbol	Condition	min	typ	max	Unit
Total circuit current	I _{tot}	V _{CC} =11V	25	32	39	mA
Sync. sep. pulse width	τ (sync)	Video input signal 4.5 μ s, APL=50%, 1.5V _{P-P}	4.1	4.7	5.3	μ s
Sync. sep. amplification	ν (sync)	Video input signal 4.5 μ s, APL=50%, 1.5V _{P-P}	9	—	—	V
Horizontal oscillation starting voltage	V _{OSC-(H)}	f _{HO} =11kHz to 19kHz	3	—	—	V
Horizontal pulse width (duty)	τ (HO)	V _{CC} =11V	28.5	33	38	%
Horizontal oscillation frequency	f _{HO}	V _{CC} =11V	15.0	15.75	16.5	kHz
f _{HO} supply voltage dependency	$\Delta f_{HO}/V_{CC}$	f _{HO} 8.8V - f _{HO} 11V	—	—	130	Hz
f _{HO} ambient temperature dependency	$\Delta f_{HO}/T_a$	f _{HO} -20°C - f _{HO} 60°C	—	—	260	Hz
Frequency control sensitivity	β	$\Delta I_O = \pm 25 \mu A$	14.6	15.6	16.6	Hz/ μA
Oscillation output saturation voltage	V _{7.5}	V _{CC} =11V I ₁ =3 μA	—	1.2	2	V
Oscillation output driving current	I ₇	V _{CC} =11V V _{8.5} =9V	300	—	—	mA
DC loop gain	f _{DC}	$\mu \times \beta$	—	620	—	Hz/ μs
X-ray protection circuit operation voltage	V _{6.5}		13.3	14.1	14.6	V

■ Application Circuit



6932852 0014403 826

Panasonic