

SPECIFICATION

Device Name : Intelligent Power MOSFET

Type Name : F5033

Spec. No. : **MS5F4292**

This manual and the information herein is the property of Fuji Electric Co. Ltd. They shall be neither reproduced, copied nor be disclosed in any way whatsoever for the use of any third party nor used for the manufacturing purposes without the express written consent of Fuji Electric Co. Ltd.

Fuji Electric Co., Ltd.
Matsumoto Factory

	DATE	NAME	APPROVED	Fuji Electric Co., Ltd.	
DRAWN	April-2-1998	<i>S. Suzuki</i>		DWG. NO.	MS5F4292 1/12
CHECKED	April-2-1998	<i>S. Suzuki</i>	<i>S. Suzuki</i>		

1. Scope
This specifies Fuji Intelligent Power MOSFET F5033
2. Construction
Self-Isolation Structure
Output Part: N-channel enhancement mode power MOSFET
3. Application
For switching
4. Outview
SOP-8(EIAJ SC-87) Outview See to 6/12 page)
5. Absolute maximum ratings (at $T_j=25^\circ\text{C}$, unless otherwise specified.)

Description	Symbol	Characteristics	Unit	Conditions
Drain-source voltage	V_{DS}	4.0	V	DC
Gate-source voltage	V_{GS}	DC-0.3~7.0	V	DC
Continuous drain current	I_D	1	A	————
Maximum power dissipation	P_D	1.5	W	†
Operating junction temperature	T_j	150	$^\circ\text{C}$	————
Storage temperature range	T_{stg}	-55~150	$^\circ\text{C}$	————

† Surface Mounted on 1000mm²PCB(FR-4)

6. Electrical characteristics (at $T_j=25^\circ\text{C}$, unless otherwise specified.)

Description	Symbol	Conditions	Characteristics			Unit
			Min.	Typ.	Max.	
Drain-source clamp voltage	V_{DS}	$I_D = 1\text{mA}$ $V_{GS} = 0\text{V}$	4.0		6.0	V
Gate threshold voltage	$V_{GS(th)}$	$I_D = 10\text{mA}$ $V_{DS} = 1.3\text{V}$	1.0		2.8	V
Operation gate voltage	$V_{GS(op)}$		3.5		7.0	V
Zero gate voltage drain current	I_{DSS}	$V_{DS} = 3.0\text{V}$ $V_{GS} = 0\text{V}$			1.0	mA
Gate-source leakage current	$I_{GS(n)}$	* $V_{GS} = 5\text{V}$			500	μA
	$I_{GS(un)}$		**		800	μA
Drain-source on-state resistance	$R_{DS(on)}$	$I_D = 0.5\text{A}$ $V_{GS} = 5\text{V}$			600	m Ω

* Under normal operation ** Under self protection

Fuji Electric Co., Ltd.

DWG. NO.

MS5F4292

3/12

This material and the information herein is the property of Fuji Electric Co., Ltd. They shall be neither reproduced, copied, lent, or distributed in any way whatsoever for the use of any kind nor used for the manufacturing purposes without the express written consent of Fuji Electric Co., Ltd.

Description	Symbol	Conditions	Characteristics			Unit
			Min.	Typ.	Max.	
Turn-on time	t_{on}	$V_{DS} = 13\text{ V}$ $I_D = 0.5\text{ A}$			50	μS
Turn-off time	t_{off}	$V_{DS} = 5\text{ V}$			50	μS
Over-temperature protection	T_{trip}	$V_{DS} = 5\text{ V}$	150			$^{\circ}\text{C}$
Short circuit protection	I_{sc}	$V_{DS} = 5\text{ V}$	1			A
Single pulse inductive load switch-off energy dissipation	E_{CL}	$T_J = 150^{\circ}\text{C}$	25			mJ

7. Thermal resistance

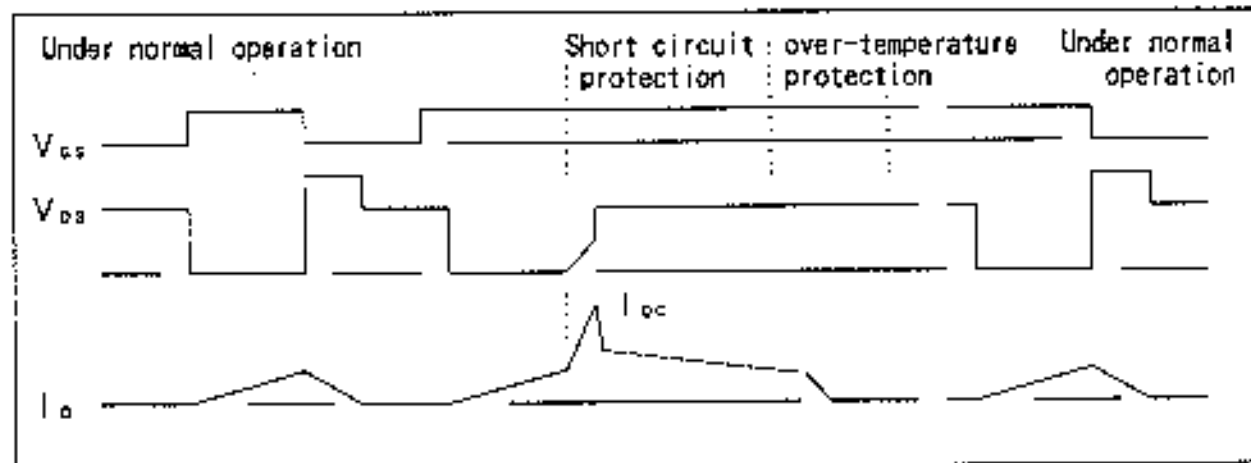
Description	Symbol	Conditions	Characteristics			Unit
			Min.	Typ.	Max.	
Thermal resistance	$R_{th(j-a)}$	Junction-ambient *			8.3	$^{\circ}\text{C/W}$

* Surface Mounted on 1000mm²PCB(FR-4)

8. Electrostatic discharge

Description	Conditions	Characteristics			Unit
		Min.	Typ.	Max.	
Drain-source	150 pF, 150 Ω	± 15			kV
Gate-source		± 0.5			kV

9. Timing chart



Fuji Electric Co., Ltd.

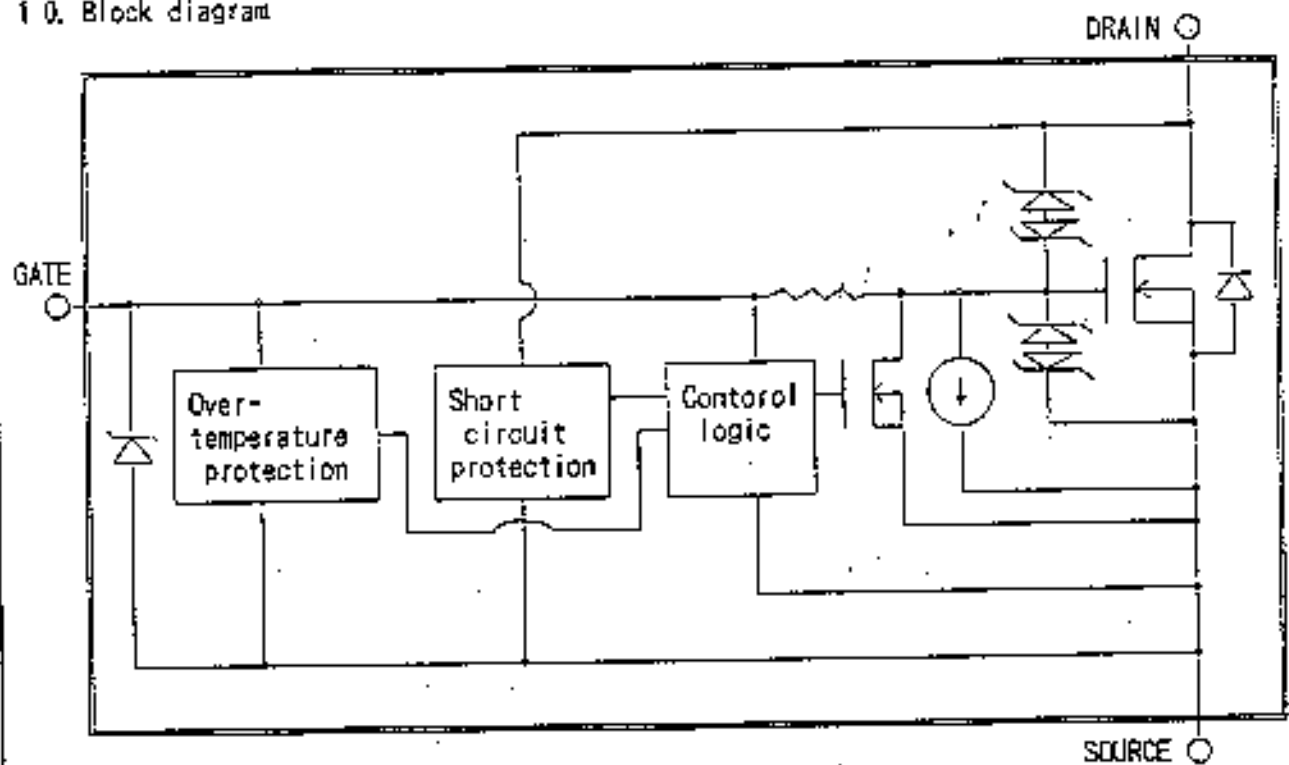
DWG. NO.

MS5F4292

4/12

H04-004-03

1 0. Block diagram



This manual and the information herein is the property of Fuji Electric Co., Ltd. They shall be neither reproduced, copied, lent, or disclosed in any way whatsoever for the use of any third party nor used for the manufacturing purposes without the express written consent of Fuji Electric Co., Ltd.

Fuji Electric Co., Ltd.

DWG. NO.

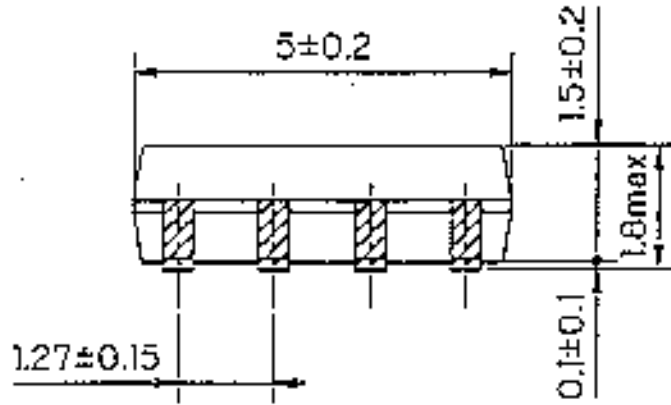
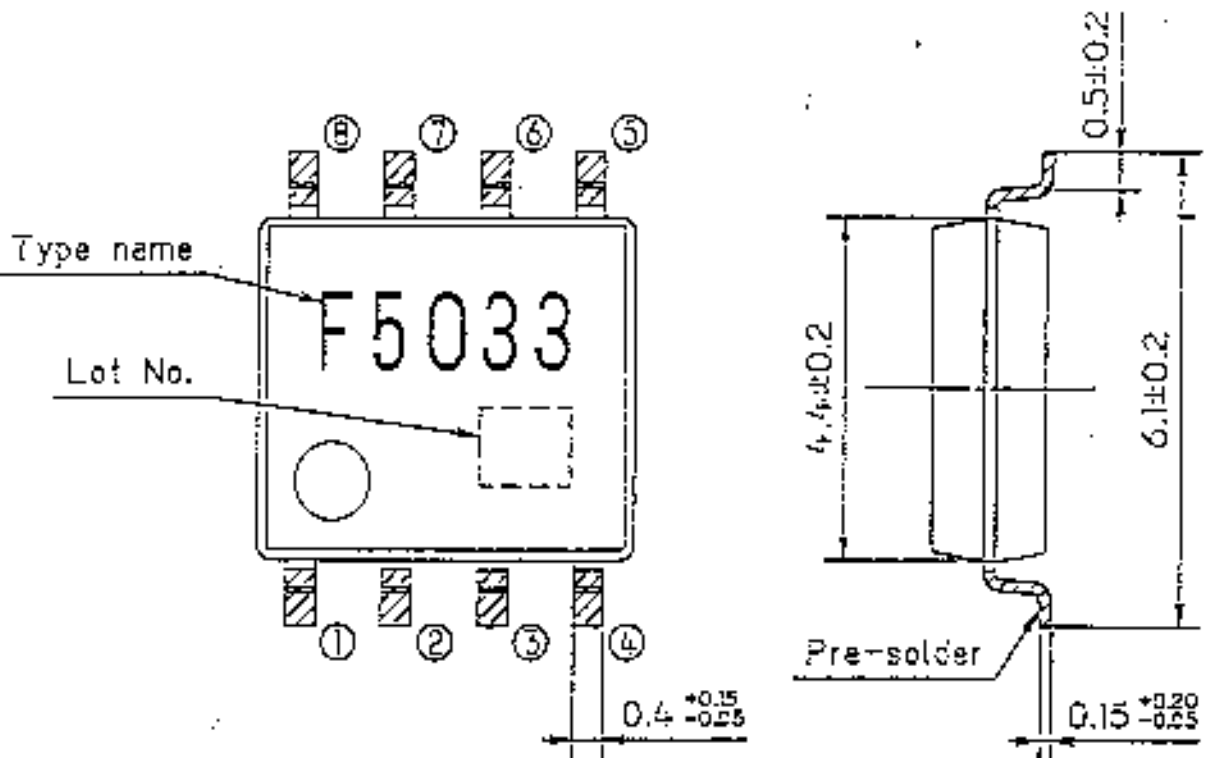
MS5F4292

5/12

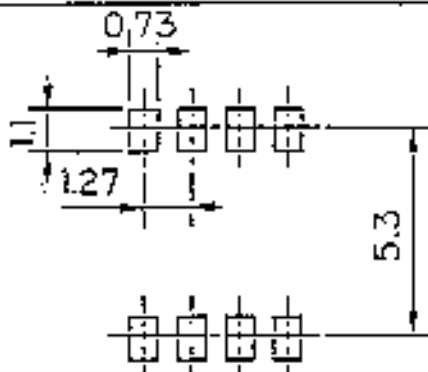
H04-004-03

FUJI INTELLIGENT POWER MOS FET

TYPE : F5033



RECOMMENDED PATTERN OF SOLDERING PADS.



CONNECTION

- ① SOURCE 1
- ② GATE 1
- ③ SOURCE 2
- ④ GATE 2
- ⑤ ⑥ DRAIN 2.
- ⑦ ⑧ DRAIN 1

EIAJ : SC-87

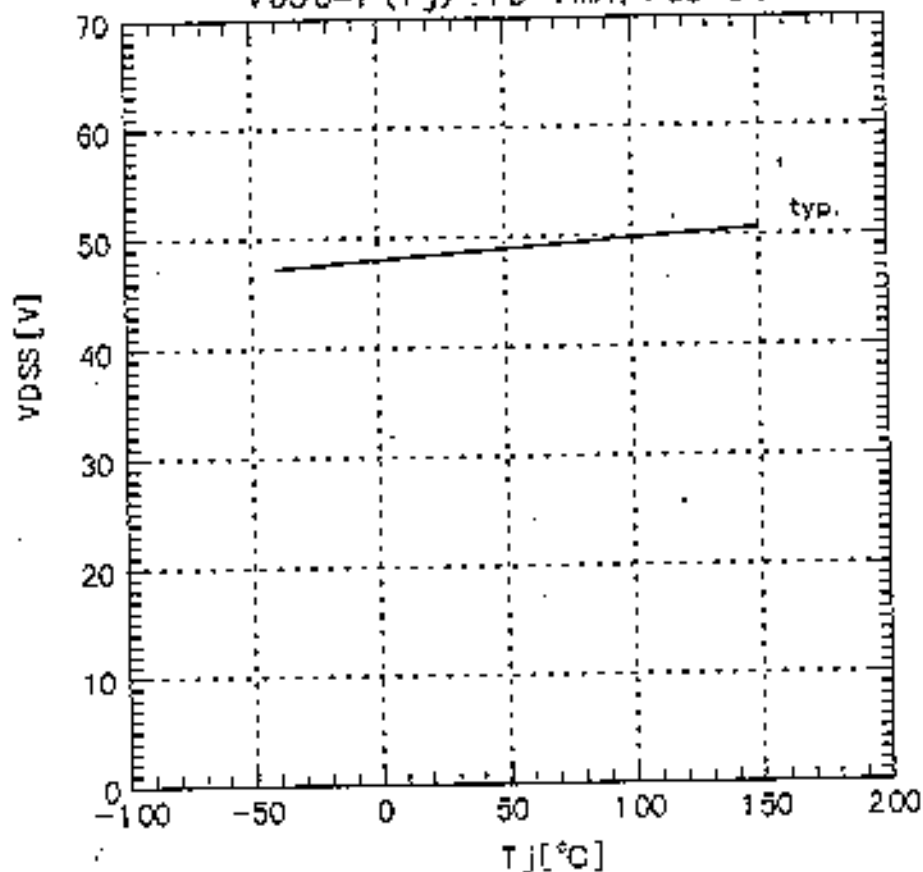
DIMENSIONS ARE IN MILLIMETERS.

This material and the information herein is the property of Fuji Electric Co., Ltd. They shall be neither reproduced, copied, loaned, or disclosed in any way whatsoever for the use of any third party nor shall the manufacturing processes without the express written consent of Fuji Electric Co., Ltd.

This material and the information herein is the property of Fuji Electric Co., Ltd. They shall be neither reproduced, copied, lent, or disclosed in any way whatsoever for the use of any third party nor used for the manufacturing purposes without the approval written consent of Fuji Electric Co., Ltd.

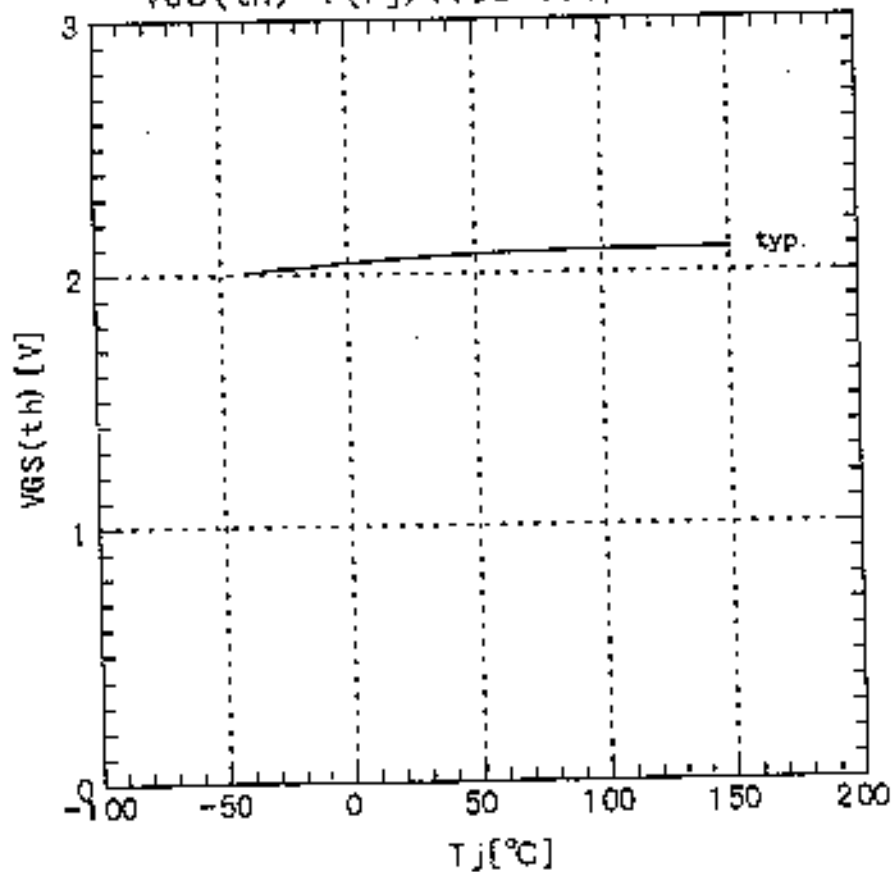
Drain-source clamp voltage

$V_{DSS}=f(T_j) : I_D=1\text{mA}, V_{GS}=0\text{V}$



Gate threshold voltage

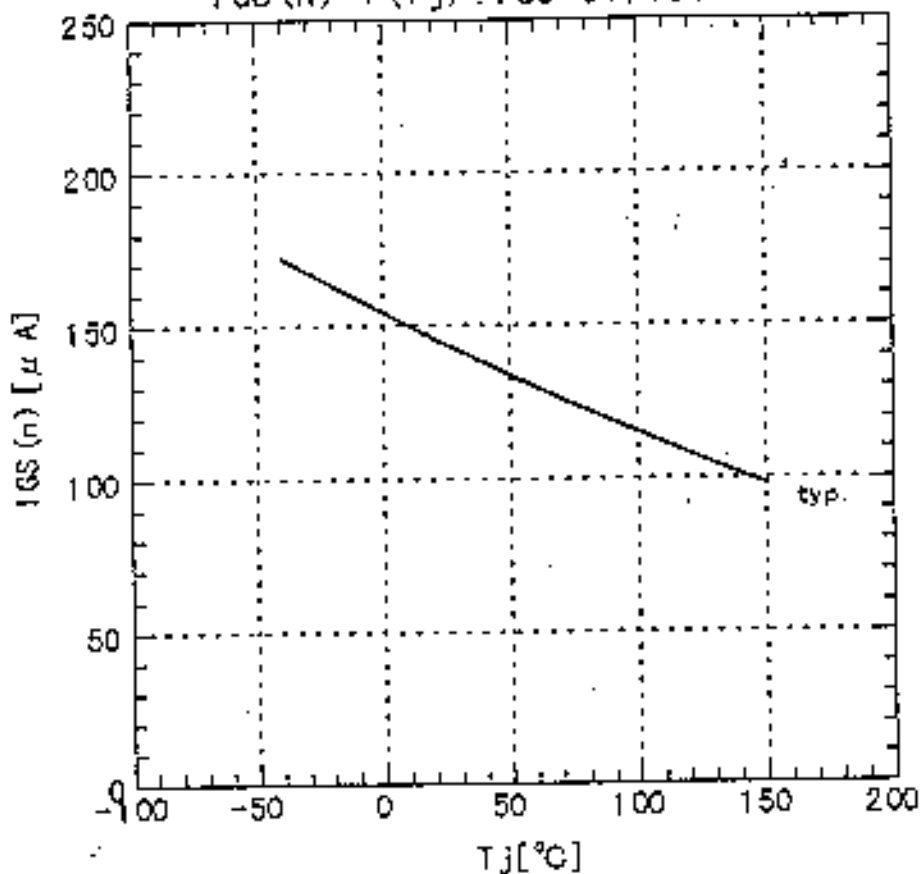
$V_{GS}(\text{th})=f(T_j) : V_{DS}=13\text{V}, I_D=10\text{mA}$



This material and the information herein is the property of Fuji Electric Co., Ltd. They shall be neither reproduced, copied, sent, or disclosed in any way without prior written consent from Fuji Electric Co., Ltd. The company will not be responsible for the use of any third party nor used for the manufacturing purposes without the express written consent of Fuji Electric Co., Ltd.

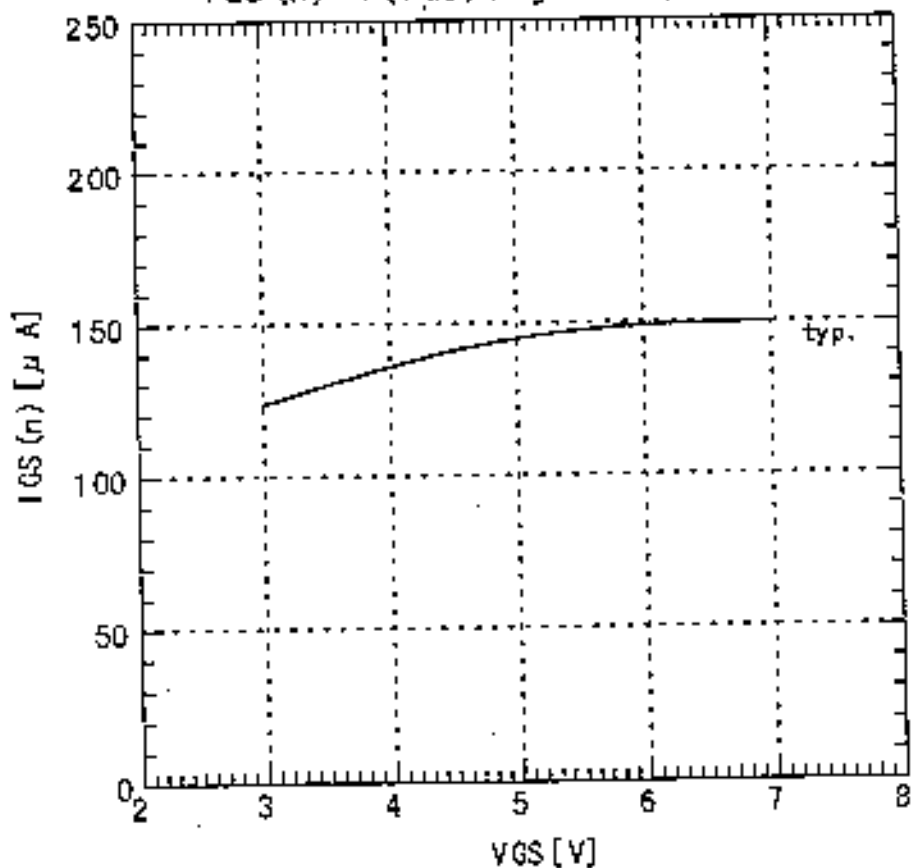
Gate-source leakage current

$I_{GS} (n) = f(T_j) : V_{GS} = 5V, V_{DS} = 0V$

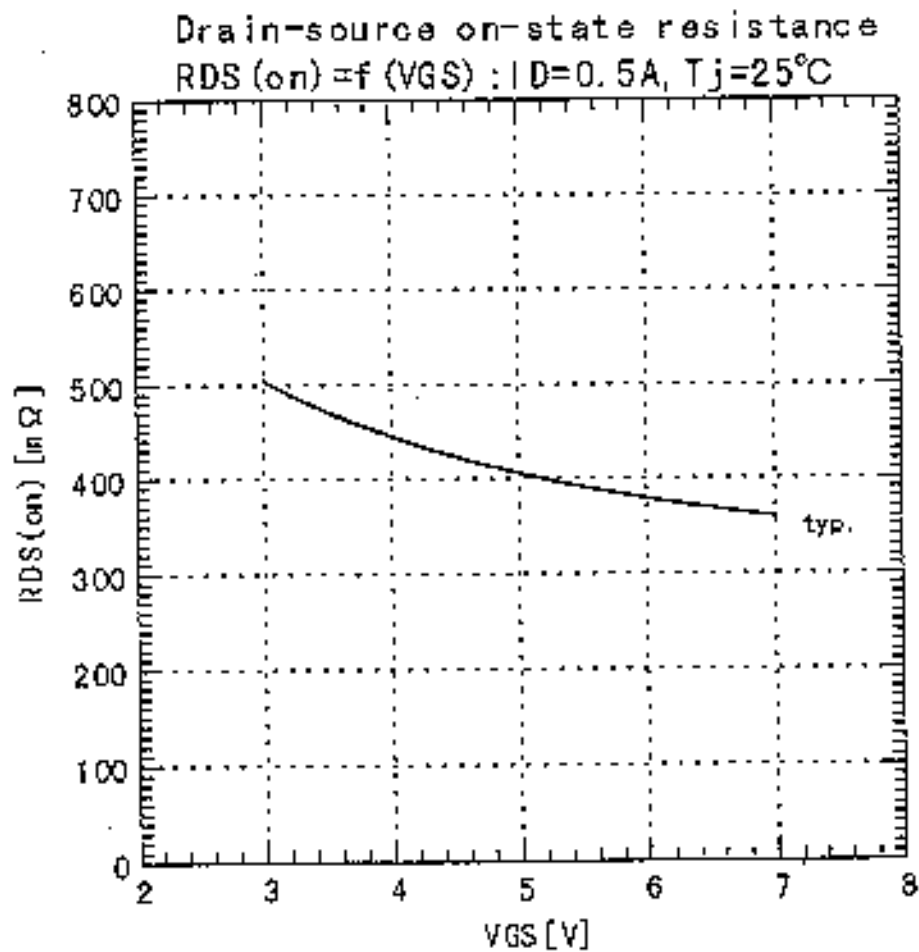
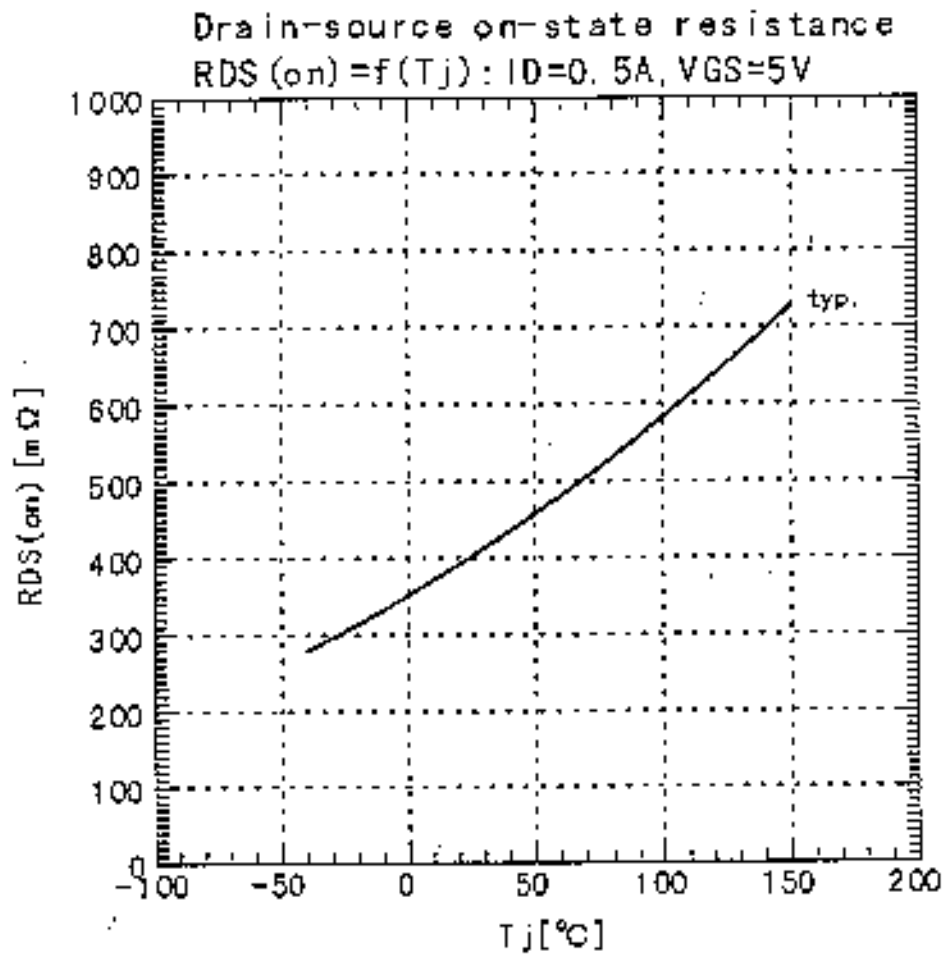


Gate-source leakage current

$I_{GS} (n) = f(V_{GS}) : T_j = 25^\circ C, V_{DS} = 0V$



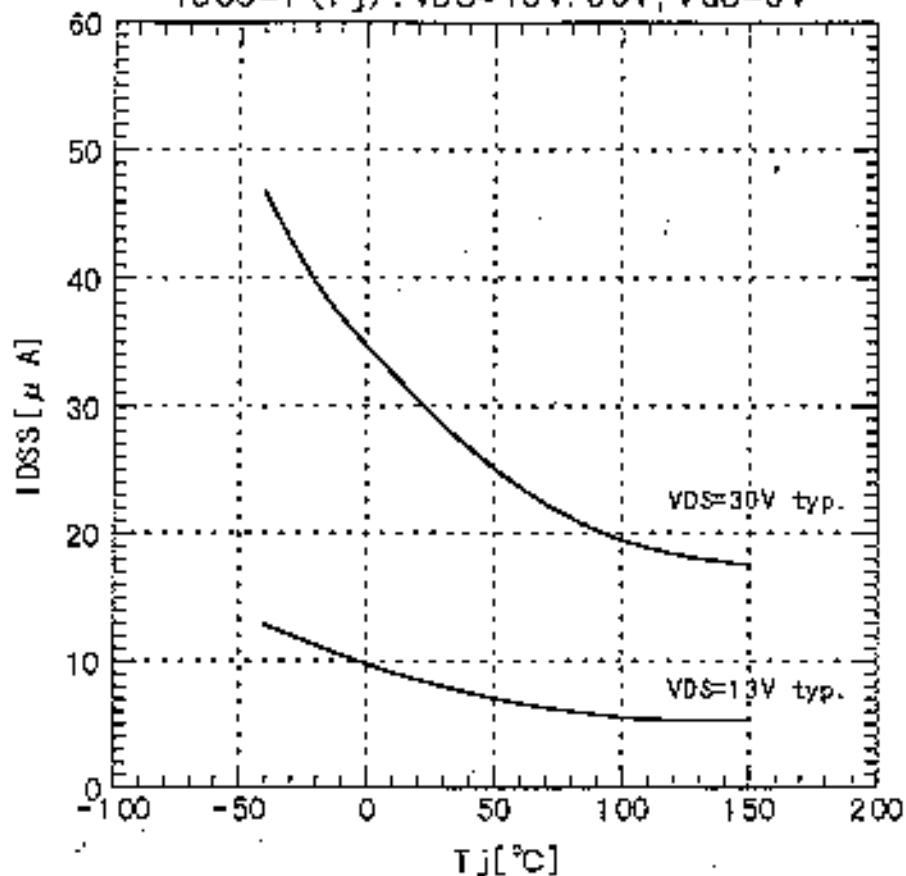
This catalog and the information herein is the property of Fuji Electric Co., Ltd. They shall be neither reproduced, copied, lent, or disclosed in any way whatsoever for the use of any third party nor used for the manufacturing purposes without the express written consent of Fuji Electric Co., Ltd.



This material and the information herein is the property of Fuji Electric Co., Ltd. They shall be neither replicated, copied, lent, or disclosed in any way whatsoever for the use of any third party nor used for the manufacturing purposes without the express written consent of Fuji Electric Co., Ltd.

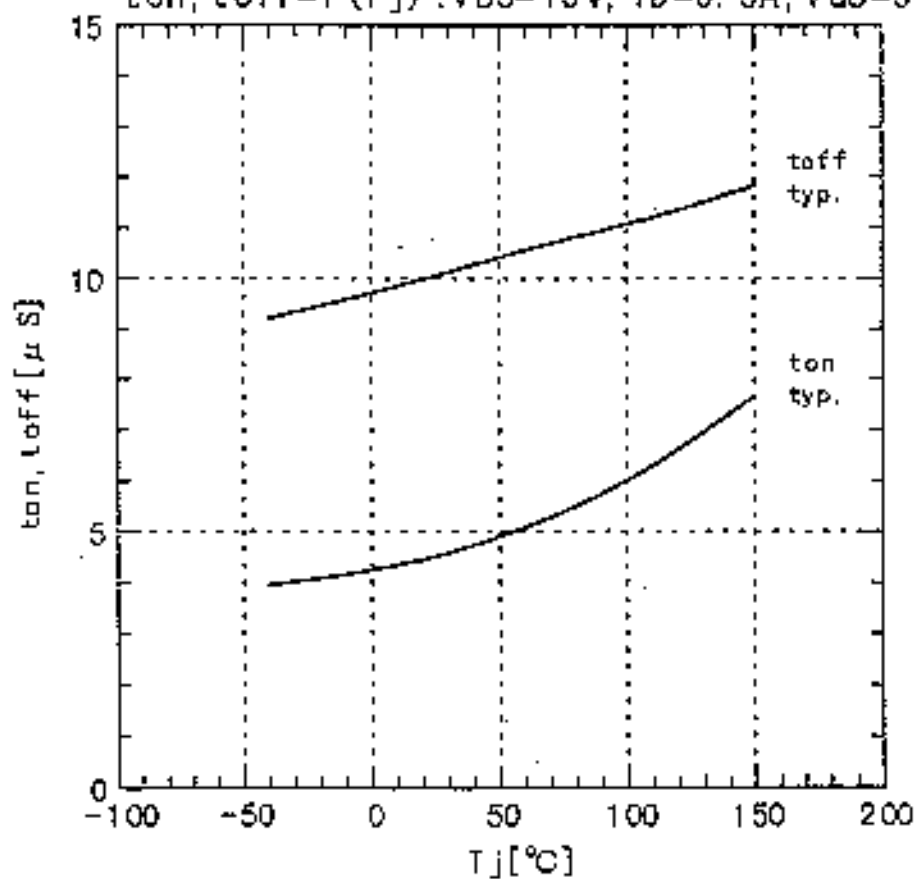
Zero gate voltage drain current

$$I_{DSS} = f(T_j) : V_{DS} = 13V, 30V, V_{GS} = 0V$$



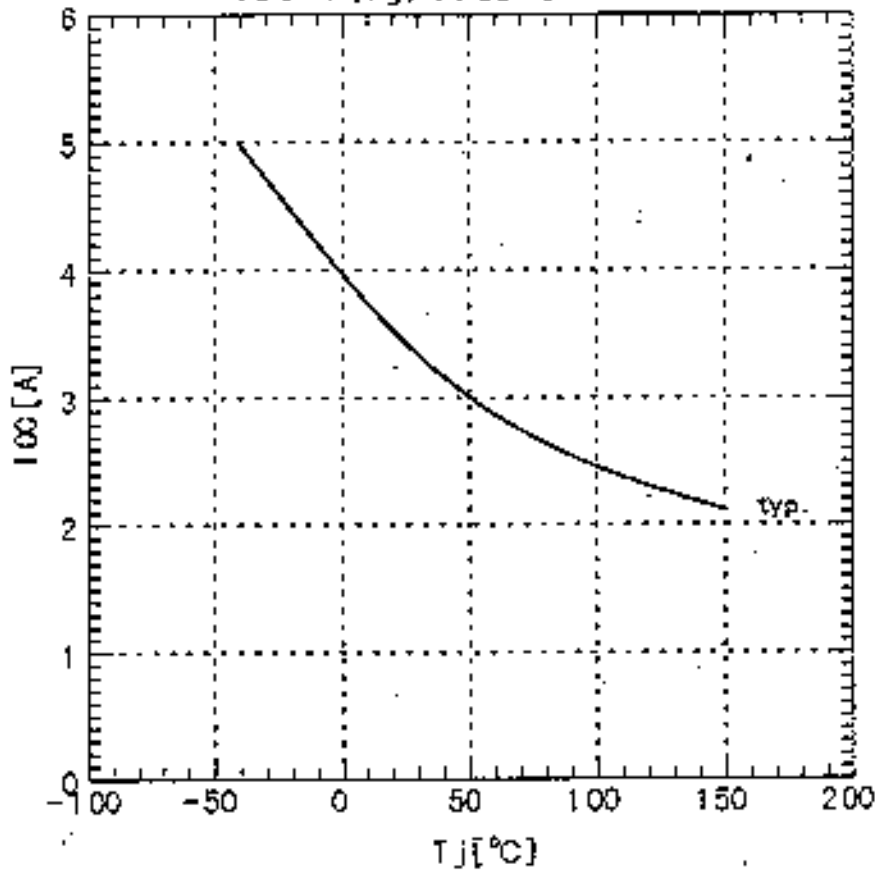
Turn-on time, Turn-off time

$$t_{on}, t_{off} = f(T_j) : V_{DS} = 13V, I_D = 0.5A, V_{GS} = 5V$$

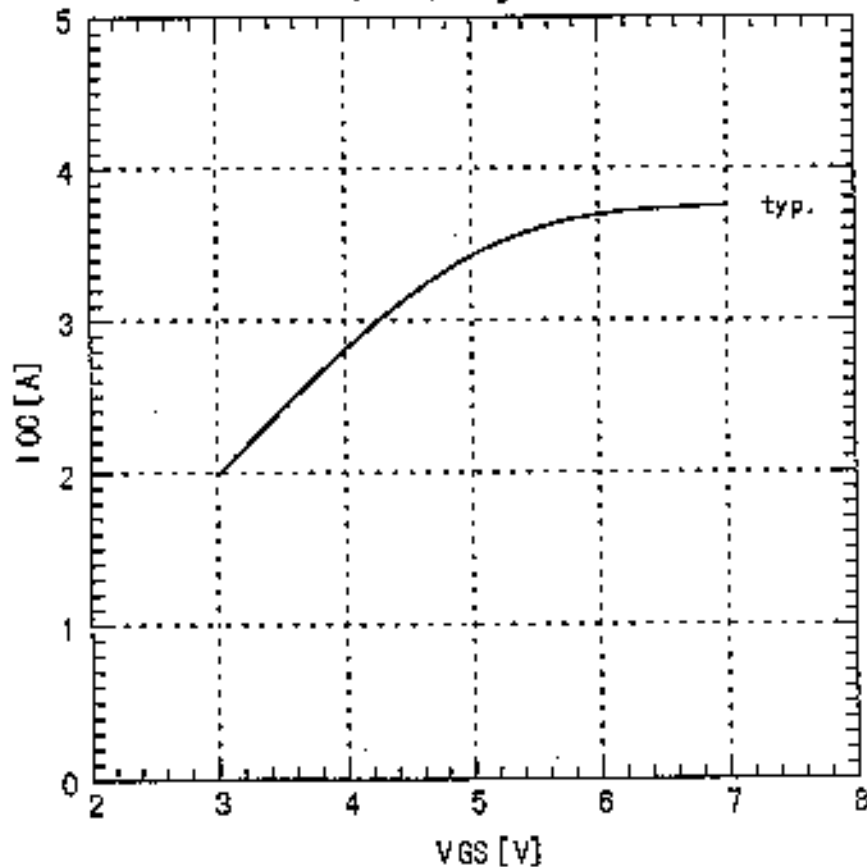


This material and the information herein is the property of Fuji Electric Co., Ltd. It may not be used, reproduced, copied, lent, or disclosed in any way whatsoever for the use of any third party nor used for the manufacturing purposes without the express written consent of Fuji Electric Co., Ltd.

Short circuit protection
 $I_{OC} = f(T_j) : V_{GS} = 5V$

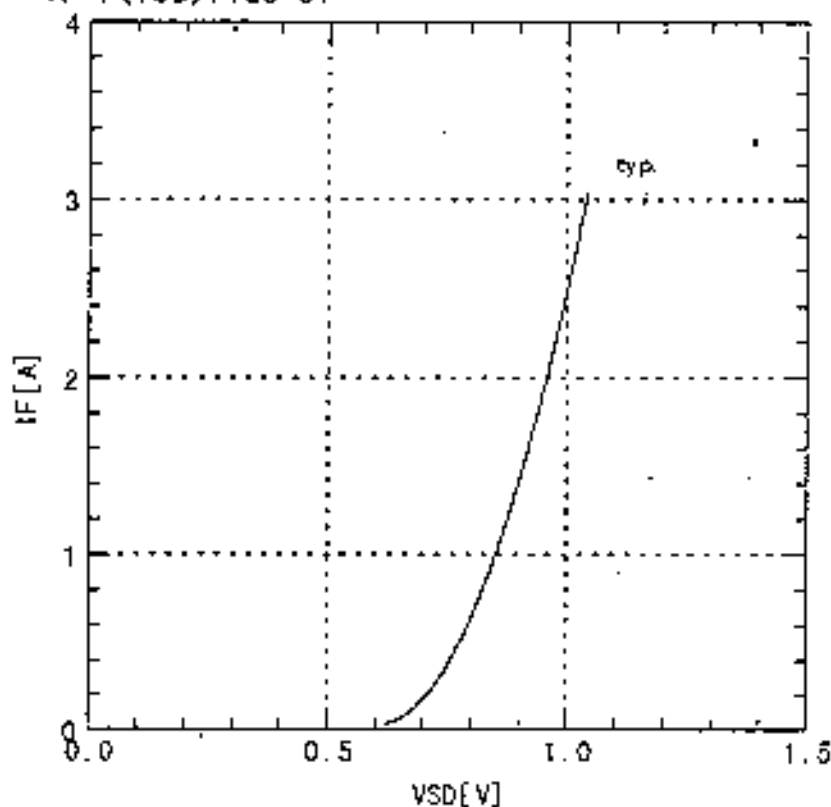


Short circuit protection
 $I_{OC} = f(V_{GS}) : T_j = 25^\circ C$

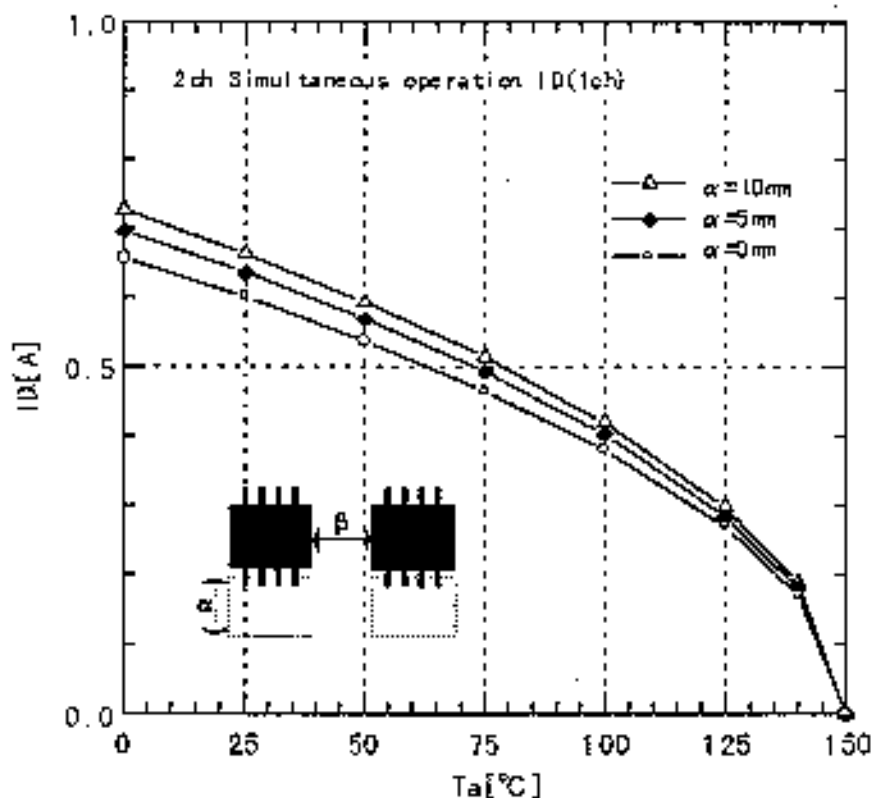


This material and the information herein is the property of Fuji Electric Co., Ltd. They shall be neither reproduced, copied, lent, or distributed in any way whatsoever for the use of any third party nor used for the manufacturing purposes without the express written consent of Fuji Electric Co., Ltd.

Forward characteristic of reverse of diode
 $I_F = f(V_{SD}) : V_{GS} = 0V$



Continuous drain current VS Ambient temperature
 $I_D = f(T_a) : \text{Mounting Pad Size } (\beta) = 5\text{mm}$



Fuji Electric Co., Ltd.

DWG. NO.

MS5F4292

12/12

This datasheet has been downloaded from:

www.DatasheetCatalog.com

Datasheets for electronic components.



LittleDiode supplies new, hard to find or obsolete electronic components and semiconductors all over the world.

With over two million different components listed you are sure to find the part you need.

Feel free to visit us today at our online store:

LittleDiode.com

Looking forward to providing you with the best possible service.