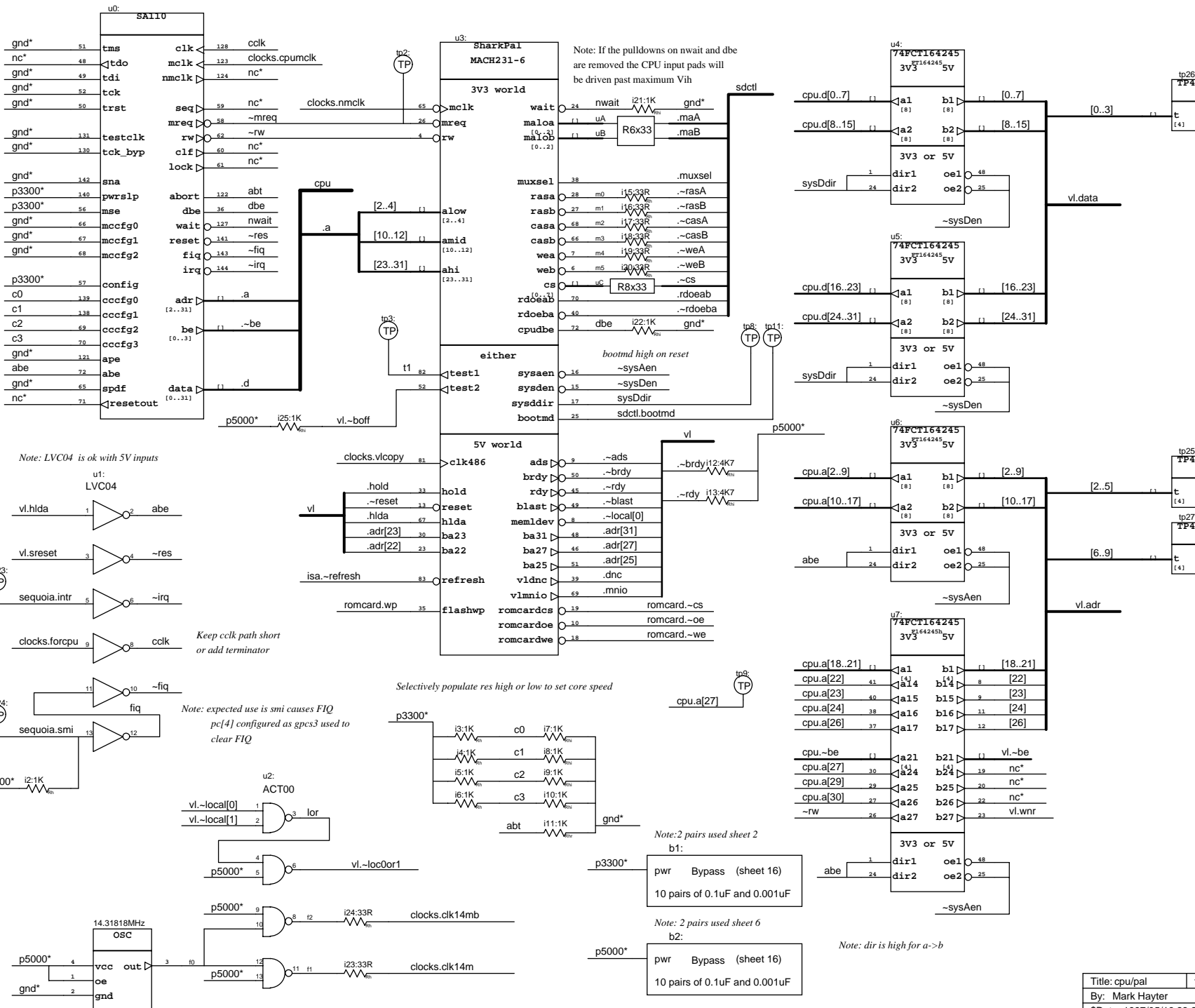


Sheets 13 to 16 show the bypass capacitors and are included as required by the other sheets



Note: If the pulldowns on nwait and dbc are removed the CPU input pads will be driven past maximum Vih

bootmd high on reset  
 ~sysAen  
 ~sysDen  
 sysDdir  
 sdctl.bootmd

Selectively populate res high or low to set core speed

Note: 2 pairs used sheet 2

Note: 2 pairs used sheet 6

Note: dir is high for a->b

Note: LVC04 is ok with 5V inputs

Note: expected use is smi causes FIQ  
 pc[4] configured as gps3 used to clear FIQ

Keep cclk path short or add terminator

b1:  
 pwr Bypass (sheet 16)  
 10 pairs of 0.1uF and 0.001uF

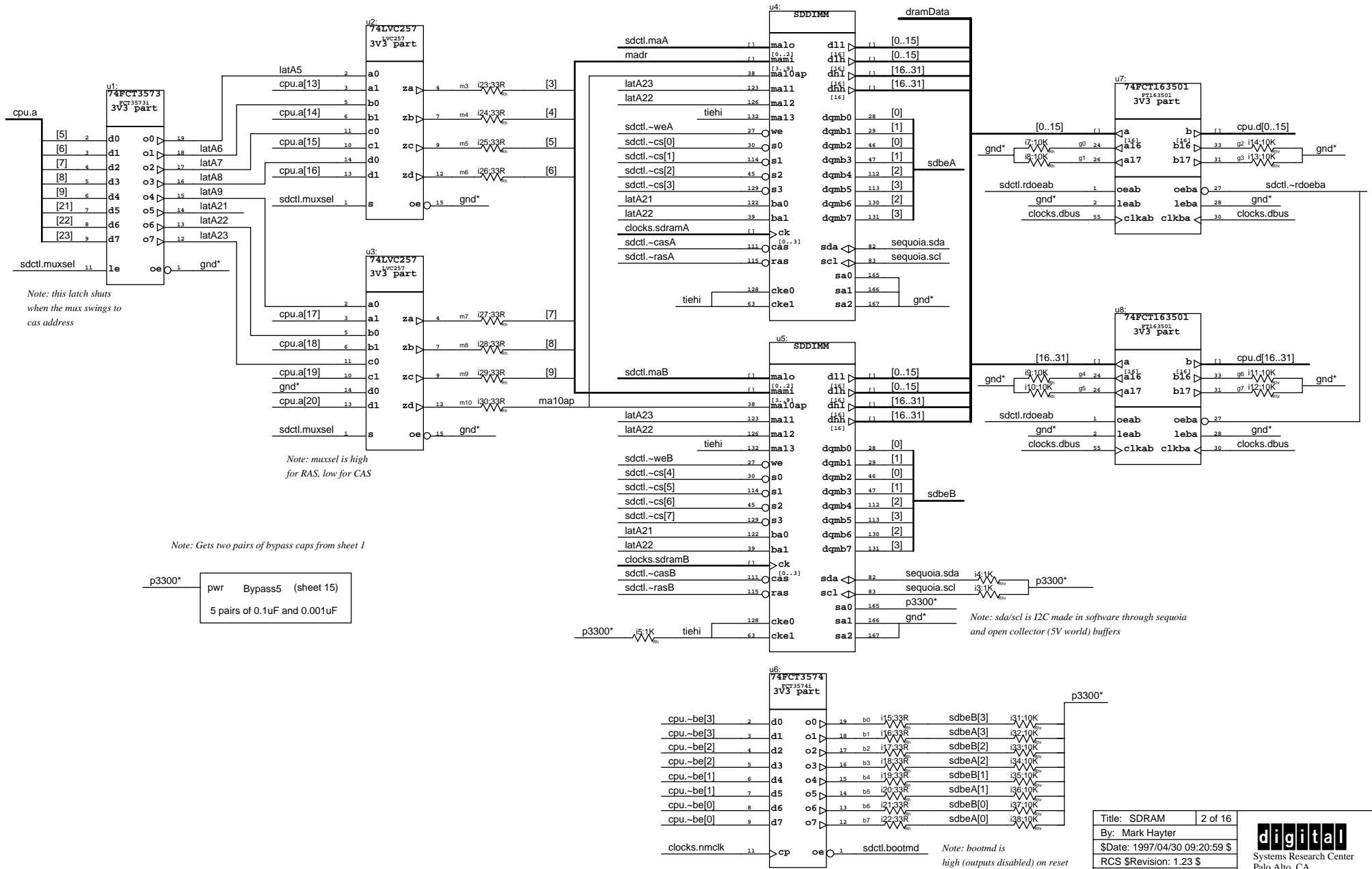
b2:  
 pwr Bypass (sheet 16)  
 10 pairs of 0.1uF and 0.001uF

Title: cpu/pal	1 of 16
By: Mark Hayter	
\$Date: 1997/05/16 23:22:15 \$	
RCS \$Revision: 1.36 \$	
Version: Rev 4	



Systems Research Center  
 Palo Alto, CA

Note: the slightly perverse assignment of the 32 data bits to the 64 sdrAm bits results from the way CS0 and CS2 are connected on the module



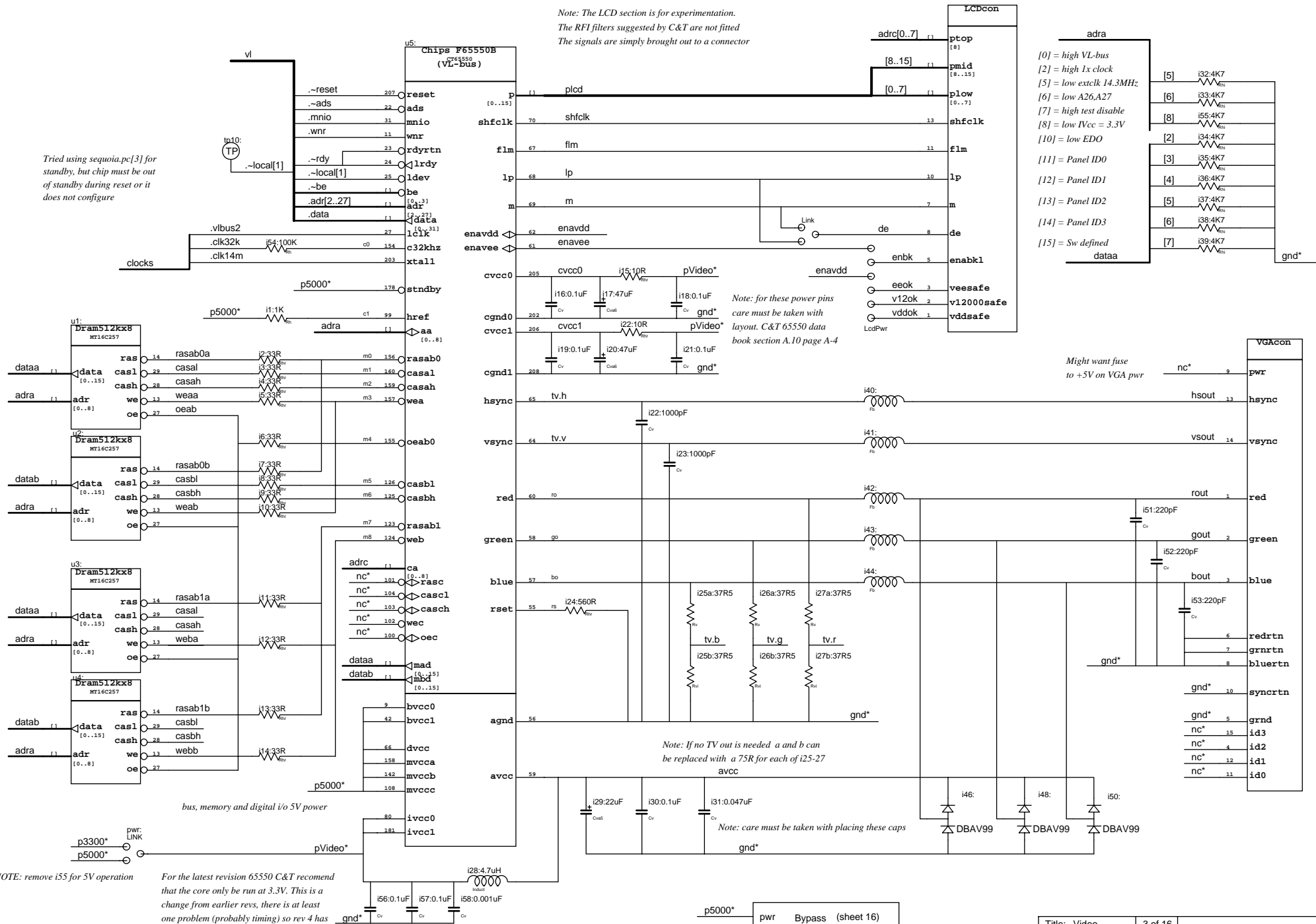
Title: SDRAM	2 of 16
By: Mark Hayter	
\$Date: 1997/04/30 09:20:59 \$	
RCS \$Revision: 1.23 \$	
Version: Rev 4	



Note: This connector has the same pinout as the C&T development kit connector

Note: The LCD section is for experimentation.  
The RFI filters suggested by C&T are not fitted  
The signals are simply brought out to a connector

Tried using sequoia.pc[3] for standby, but chip must be out of standby during reset or it does not configure



Might want fuse to +5V on VGA pwr

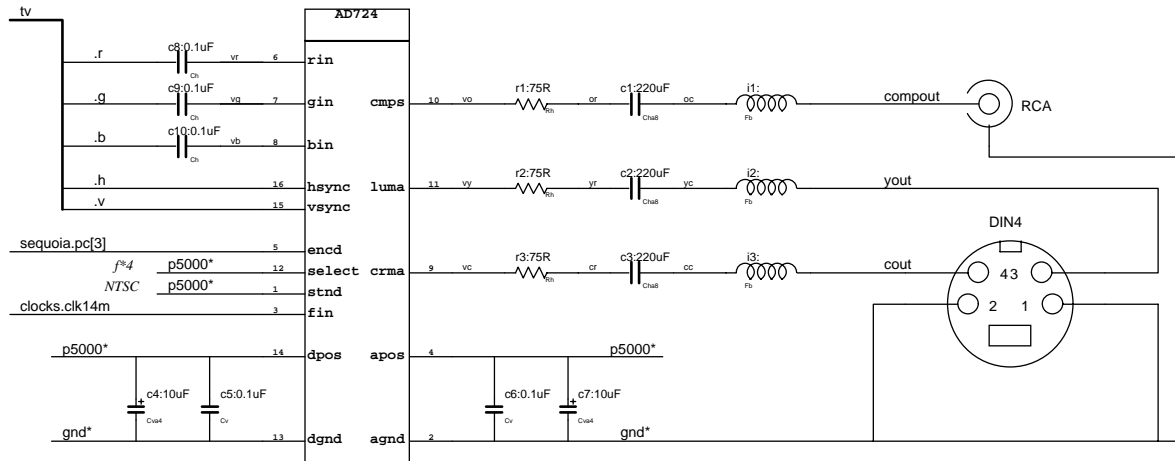
Note: If no TV out is needed a and b can be replaced with a 75R for each of i25-27

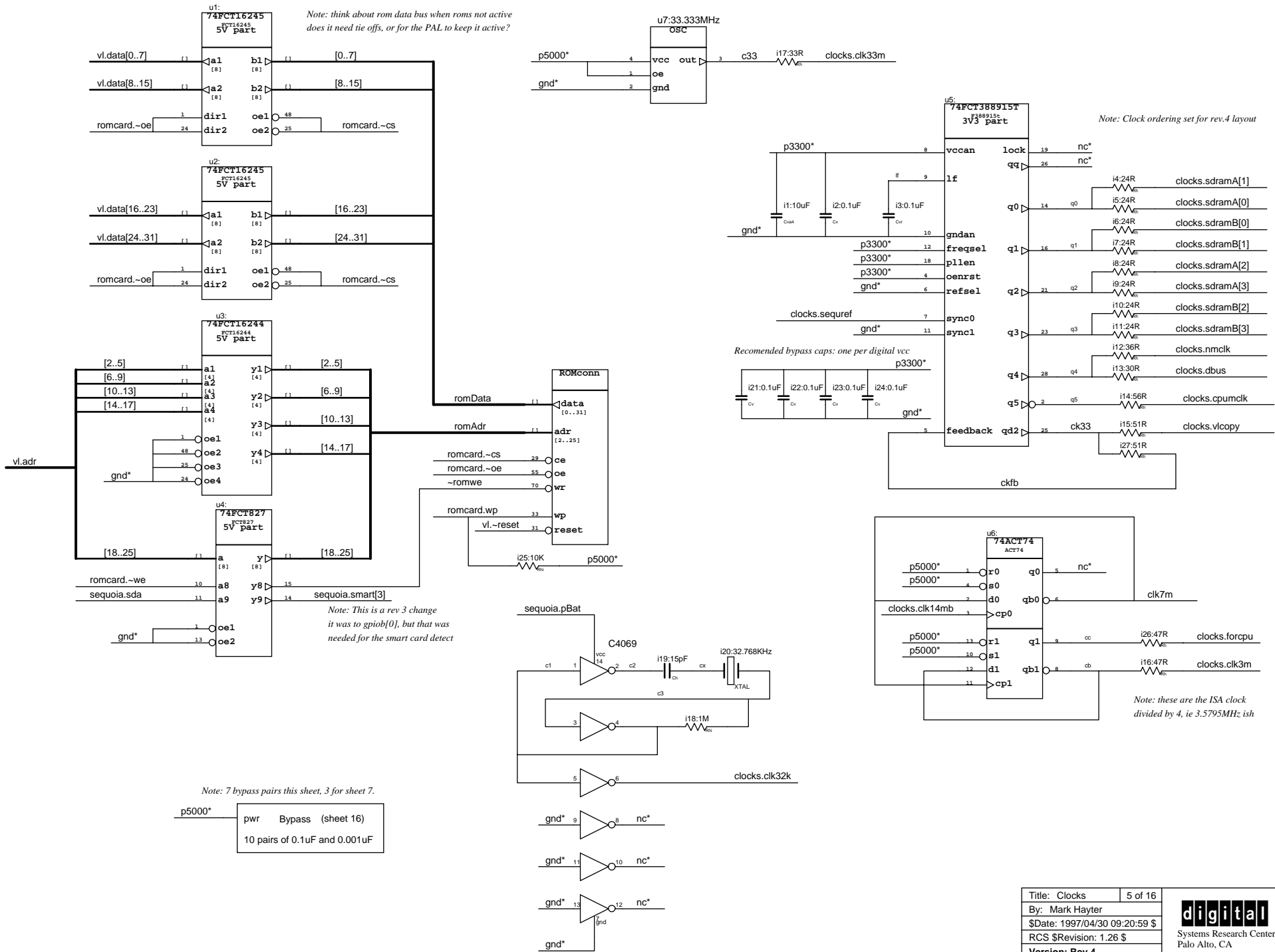
Note: care must be taken with placing these caps

NOTE: remove i55 for 5V operation

For the latest revision 65550 C&T recomend that the core only be run at 3.3V. This is a change from earlier revs, there is at least one problem (probably timing) so rev 4 has a link to allow both voltages

Note: i24, the 560R res on rset must be 1% or better  
i25, i26 and i27 pulldowns must be 2% or better

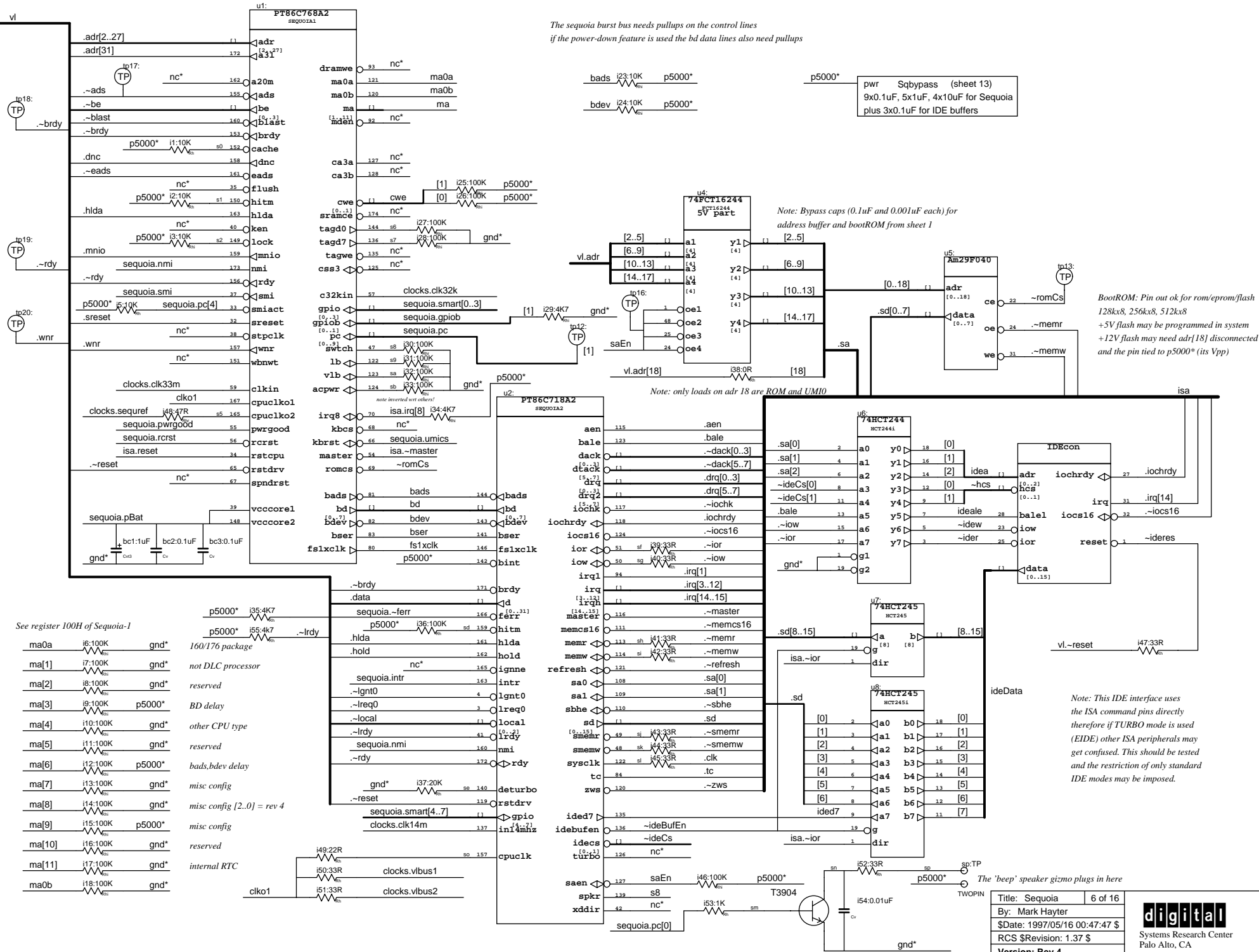




Title: Clocks	5 of 16
By: Mark Hayter	
\$Date: 1997/04/30 09:20:59 \$	
RCS \$Revision: 1.26 \$	
Version: Rev 4	



The sequoia burst bus needs pullups on the control lines  
if the power-down feature is used the bd data lines also need pullups



p5000\* pwr Sqbypass (sheet 13)  
9x0.1uF, 5x1uF, 4x10uF for Sequoia  
plus 3x0.1uF for IDE buffers

Note: Bypass caps (0.1uF and 0.001uF each) for  
address buffer and bootROM from sheet 1

BootROM: Pin out ok for rom/eprom/flash  
128Kx8, 256Kx8, 512Kx8  
+5V flash may be programmed in system  
+12V flash may need adr[18] disconnected  
and the pin tied to p5000\* (its Vpp)

Note: only loads on adr 18 are ROM and UM10

See register 100H of Sequoia-1

ma0a	i6:100K	gnd*	160/176 package
ma[1]	i7:100K	gnd*	not DLC processor
ma[2]	i8:100K	gnd*	reserved
ma[3]	i9:100K	p5000*	BD delay
ma[4]	i10:100K	gnd*	other CPU type
ma[5]	i11:100K	gnd*	reserved
ma[6]	i12:100K	p5000*	bads,bdev delay
ma[7]	i13:100K	gnd*	misc config
ma[8]	i14:100K	gnd*	misc config [2..0] = rev 4
ma[9]	i15:100K	p5000*	misc config
ma[10]	i16:100K	gnd*	reserved
ma[11]	i17:100K	gnd*	internal RTC
ma0b	i18:100K	gnd*	

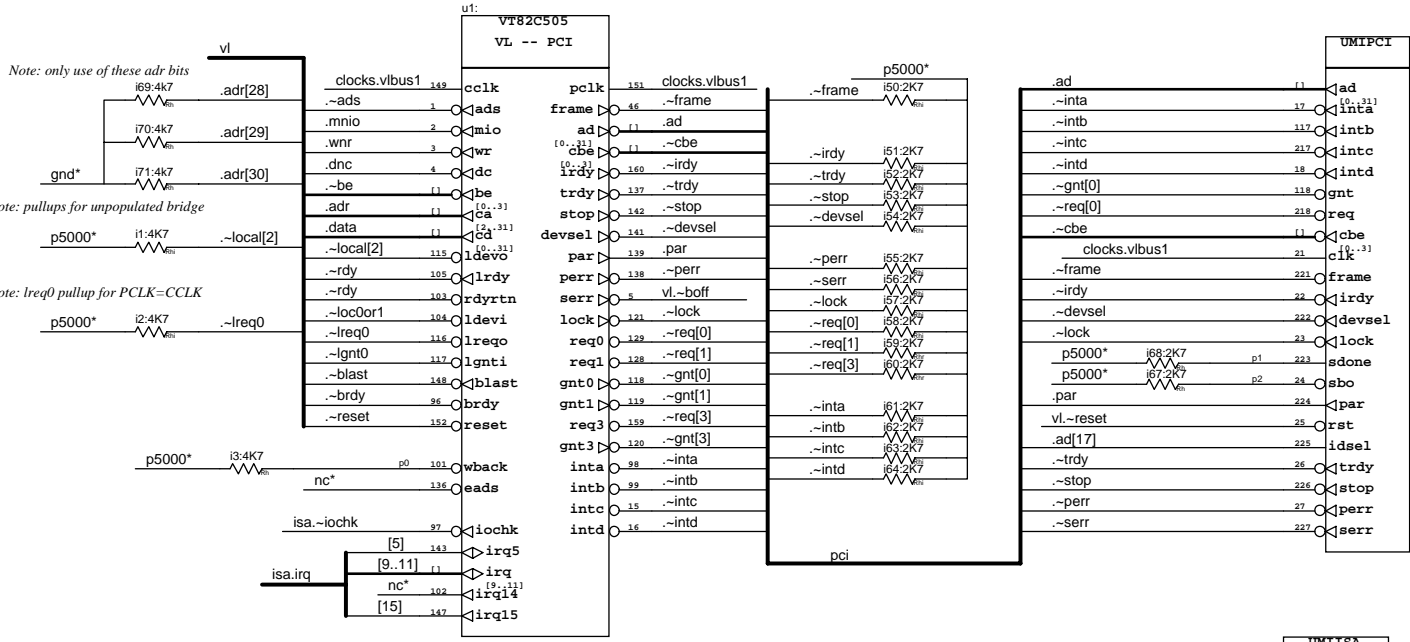
Note: This IDE interface uses  
the ISA command pins directly  
therefore if TURBO mode is used  
(EIDE) other ISA peripherals may  
get confused. This should be tested  
and the restriction of only standard  
IDE modes may be imposed.

Title: Sequoia 6 of 16  
By: Mark Hayter  
\$Date: 1997/05/16 00:47:47 \$  
RCS \$Revision: 1.37 \$  
Version: Rev 4



Configuration links

p5000\* i73:4K7 pci.-gnt[0] *clk synchronous*  
 p5000\* i17:4K7 pci.-gnt[1] *Select IRQ14,15 not req/gnt2*  
 p5000\* i18:4K7 pci.-gnt[3] *Select blast not hiaddr*



Note: only use of these adr bits

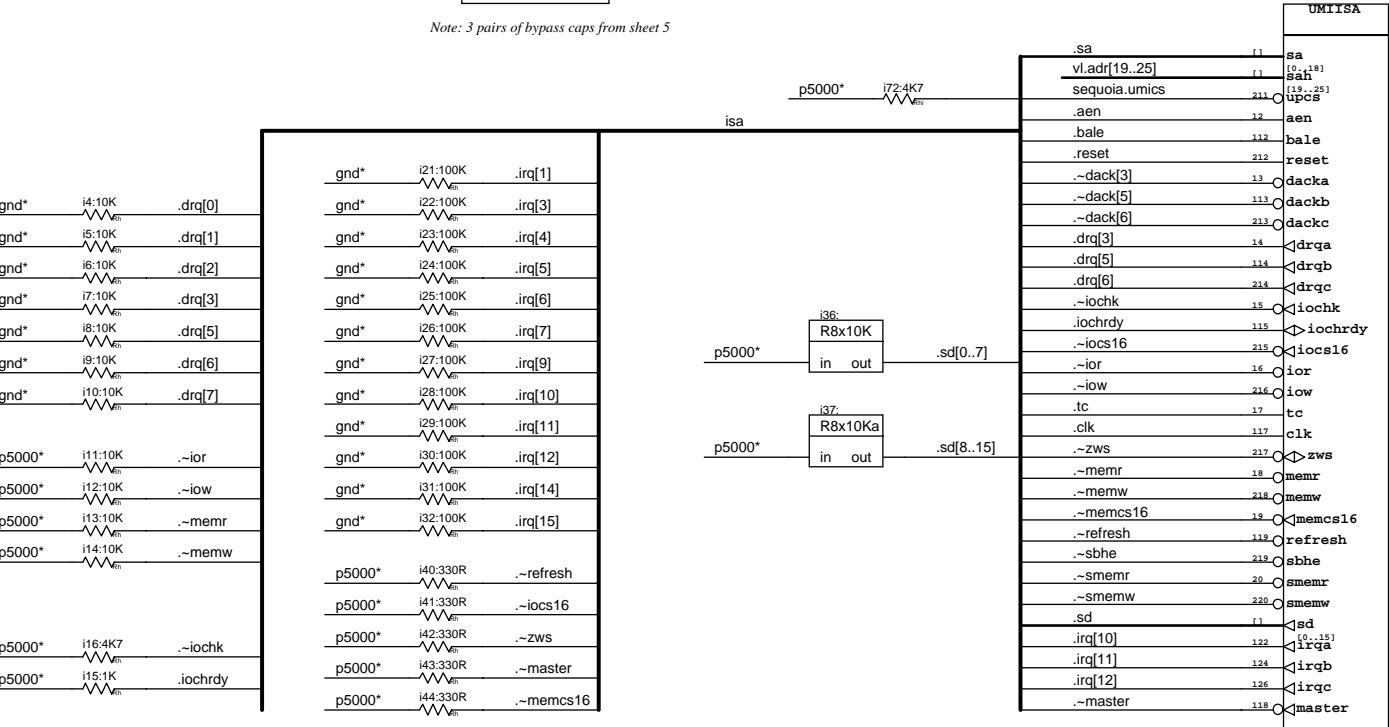
Note: pullups for unpopulated bridge

Note: Ireq0 pullup for PCLK=CCLK

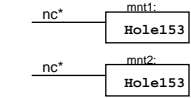
Note: 3 pairs of bypass caps from sheet 5

Note: idsel comes from ad[17]. Don't care about loading since there is only one UMI slot. Additional PCI devices could use ad[18..31] but then loading might become an issue.  
 This selection makes the UMI slot be PCI config device 6  
 Note: Only config type 0 cycles supported by VIA chip, so no bridges on the UMI

These are two holes for standoffs to fix the umi cards. Basically 0.153 hole with min .180 clearance

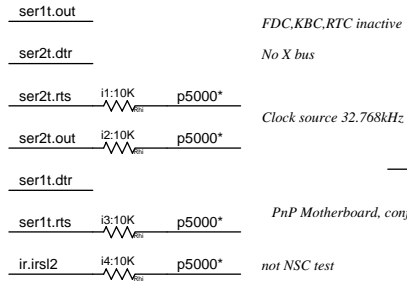


Note: umics may be useful for upper address bit decoding  
 Note: address lines 19..25 are not used on internal isa nor by most networking chips, so they come unbuffered from the vl bus



Note: National recommend six 0.1uF bypass caps

Note: Internal 30k pulldown



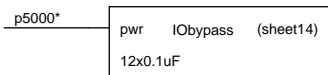
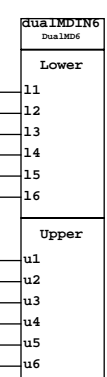
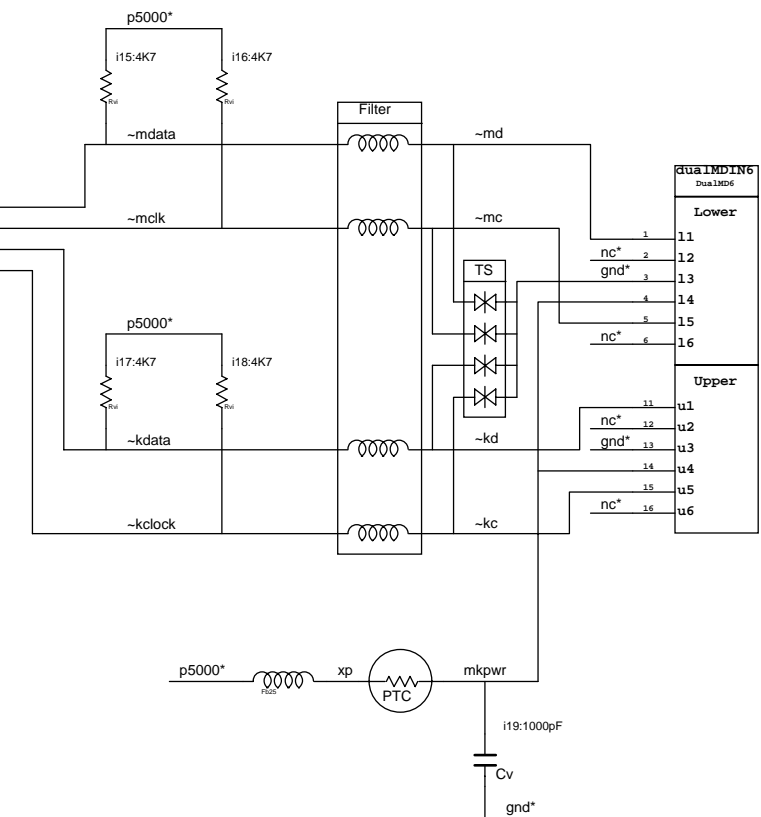
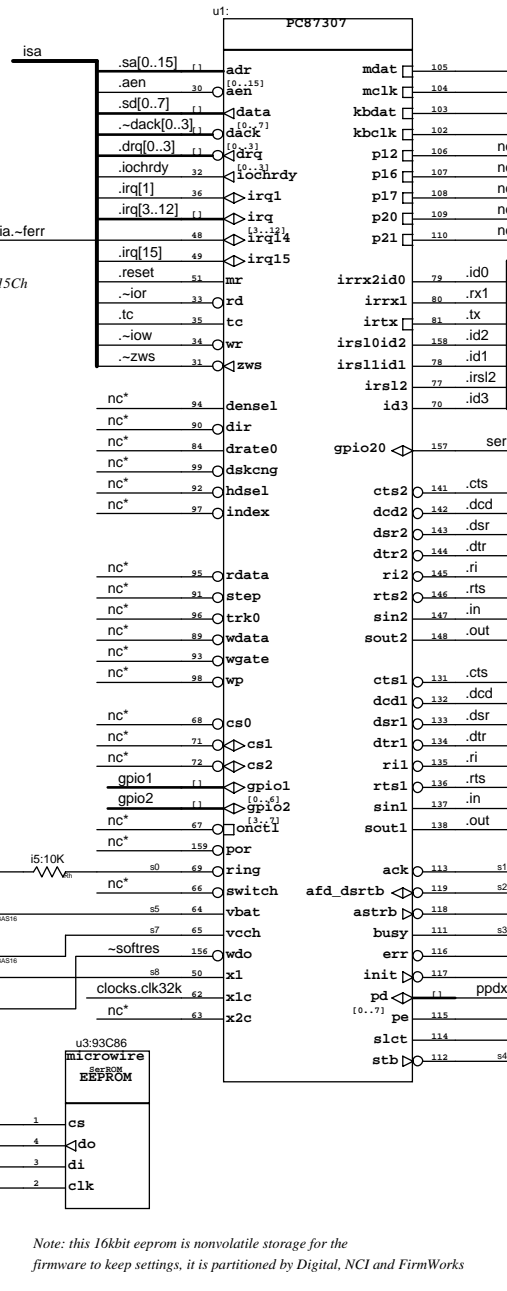
FDC,KBC,RTC inactive

No X bus

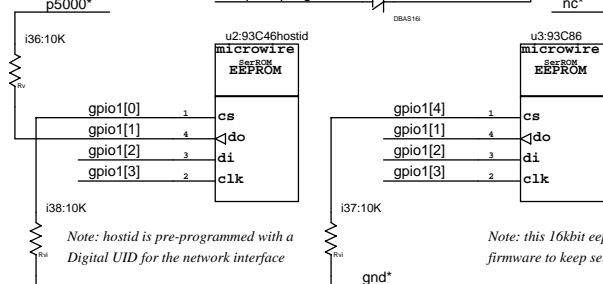
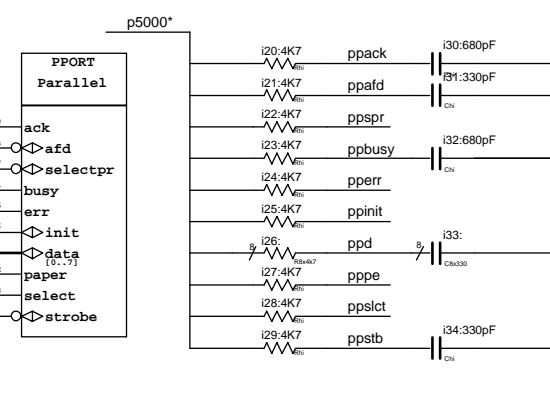
Clock source 32.768kHz

PnP Motherboard, config @015Ch

not NSC test

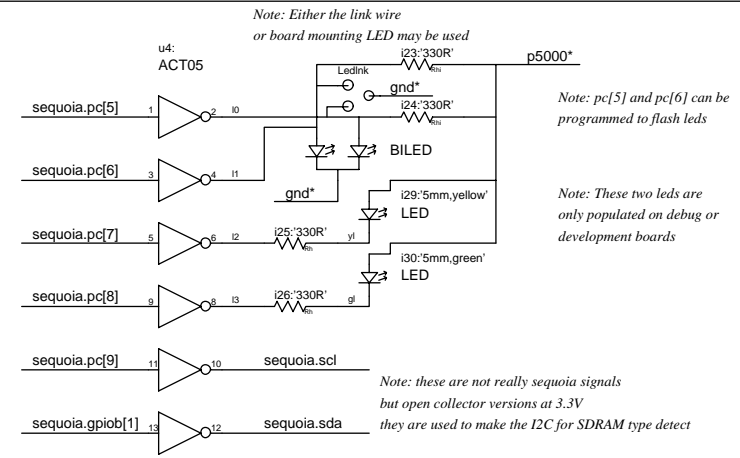
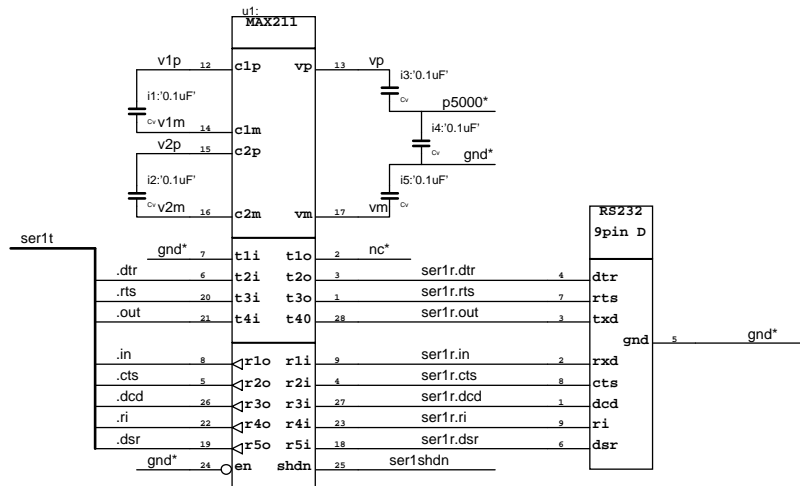


Note: Six of these go to sheet 9



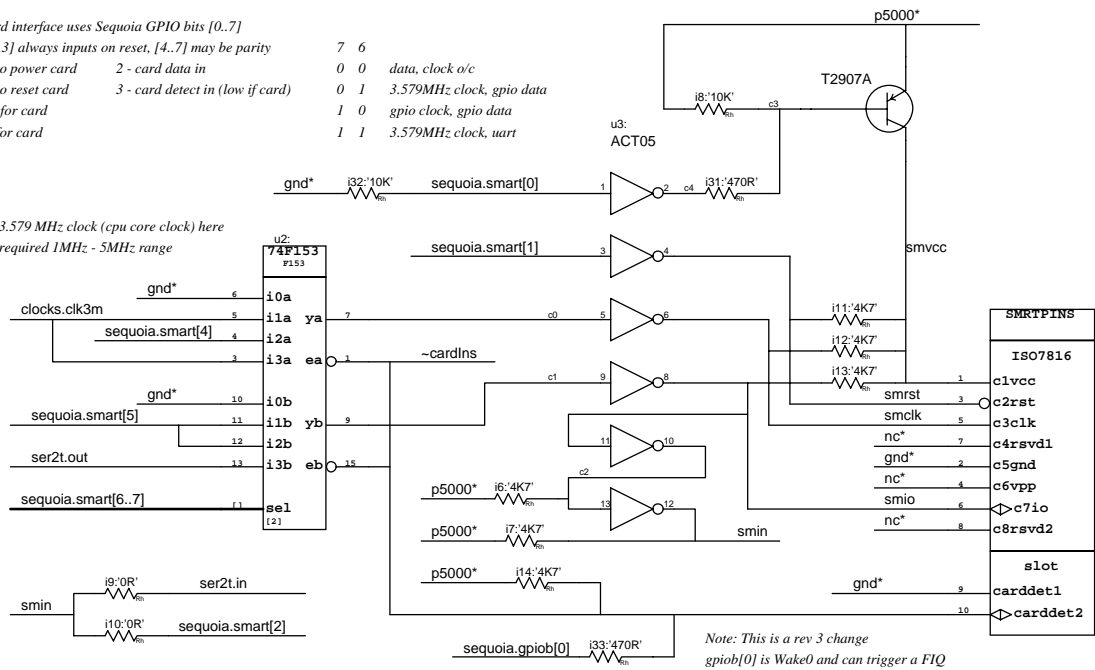
Note: hostid is pre-programmed with a Digital UID for the network interface

Note: this 16kbit eeprom is nonvolatile storage for the firmware to keep settings, it is partitioned by Digital, NCI and FirmWorks

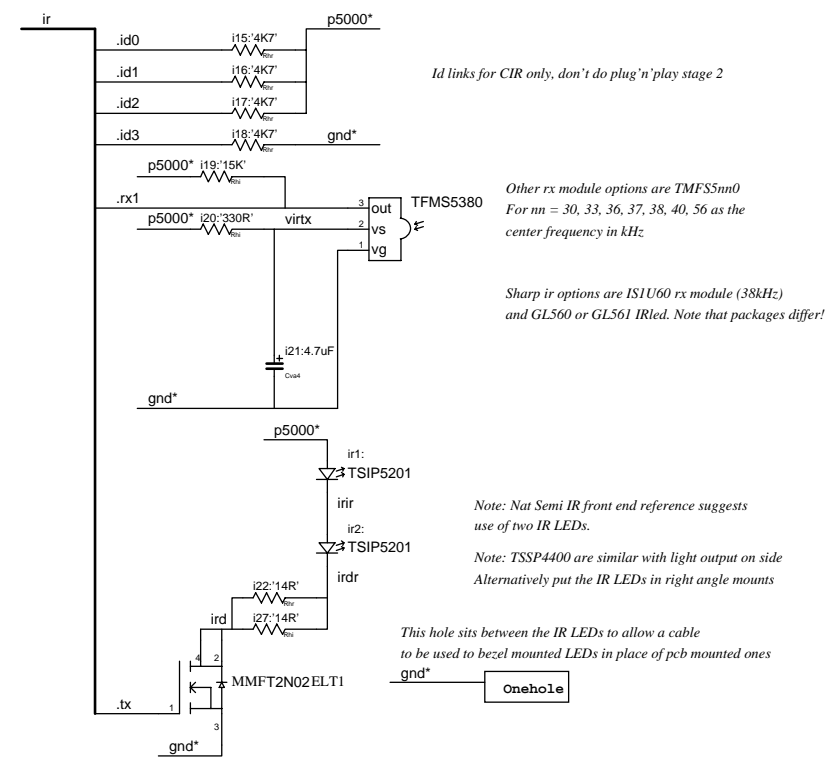


Smartcard interface uses Sequoia GPIO bits [0..7]  
 Smart[0..3] always inputs on reset, [4..7] may be parity  
 0 - high to power card    2 - card data in  
 1 - high to reset card    3 - card detect in (low if card)  
 4 - clock for card  
 5 - data for card

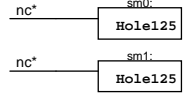
Note: Use 3.579 MHz clock (cpu core clock) here  
 It is in the required 1MHz - 5MHz range



The IR from the SuperIO supports IRDA and Consumer IR  
 Only 38kHz consumer IR is provided here  
 TX frequency is set by software, but receiver module is tuned



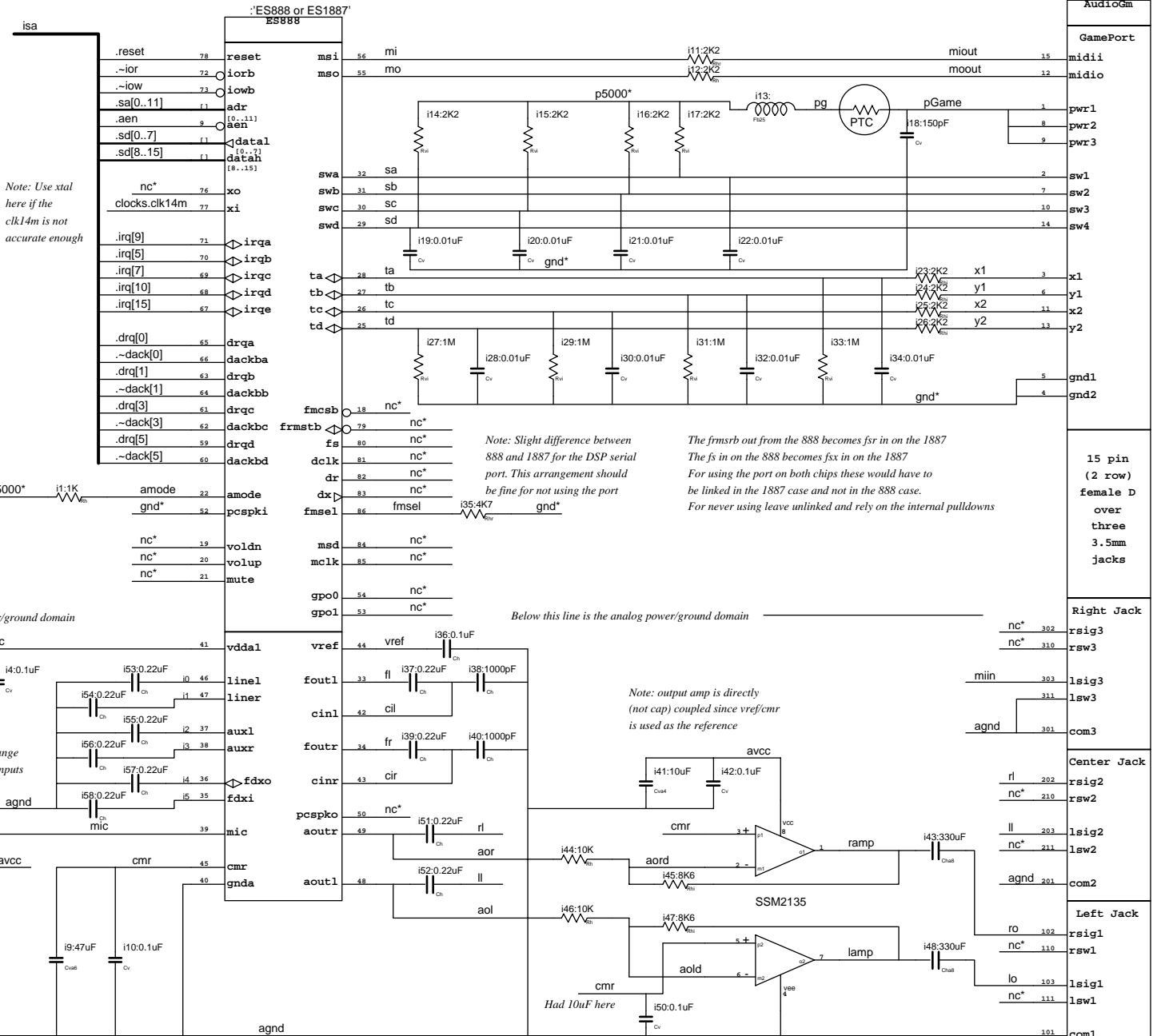
These holes are for supports for the smartcard reader when a bare board is used



Title: Serial I/O	9 of 16
By: Mark Hayter	
\$Date: 1997/05/12 00:28:29 \$	
RCS \$Revision: 1.29 \$	
Version: Rev 4	

The audio is designed to use either the ES888 or ES1887 codec  
 The main difference is that the 1887 includes FM synth, it is also more expensive (about \$3 more)  
 The 1887 is also slightly more configurable  
 Software for the 888 should work with the 1887 apart from a few lines of setup code (and the lack of synth)

Note: four 0.1uF bypass capacitors (as suggested by ESS) shown on sheet 11



Note: Use xtal here if the clk14m is not accurate enough

Note: Slight difference between 888 and 1887 for the DSP serial port. This arrangement should be fine for not using the port

The fmsrb out from the 888 becomes fsr in on the 1887  
 The fs in on the 888 becomes fsx in on the 1887  
 For using the port on both chips these would have to be linked in the 1887 case and not in the 888 case.  
 For never using leave unlinked and rely on the internal pulldowns

Below this line is the analog power/ground domain

Below this line is the analog power/ground domain

Note: Care with layout  
 Need single connection point for agnd to gnd

Note: rev 4 change tie off unused inputs

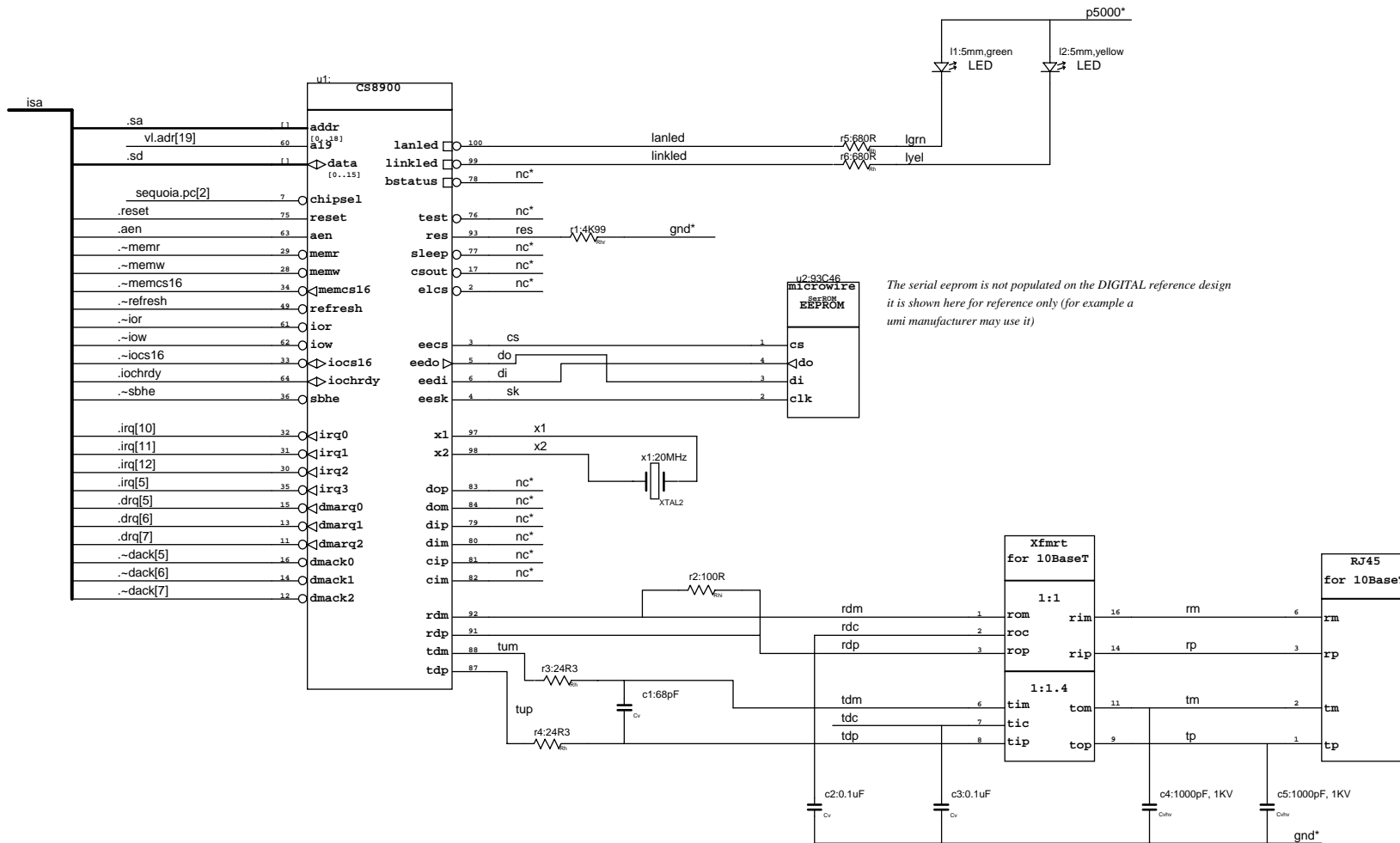
Note: output amp is directly (not cap) coupled since vref/cmr is used as the reference

Mike input is on combo connector on right of this page

Had 10uF here

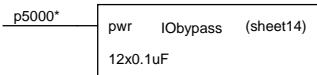
Title: Audio	10 of 16
By: Mark Hayter	
\$Date: 1997/05/17 00:51:49 \$	
RCS \$Revision: 1.32 \$	
Version: Rev 4	

**digital**  
 Systems Research Center  
 Palo Alto, CA



The serial eeprom is not populated on the DIGITAL reference design  
it is shown here for reference only (for example a  
umi manufacturer may use it)

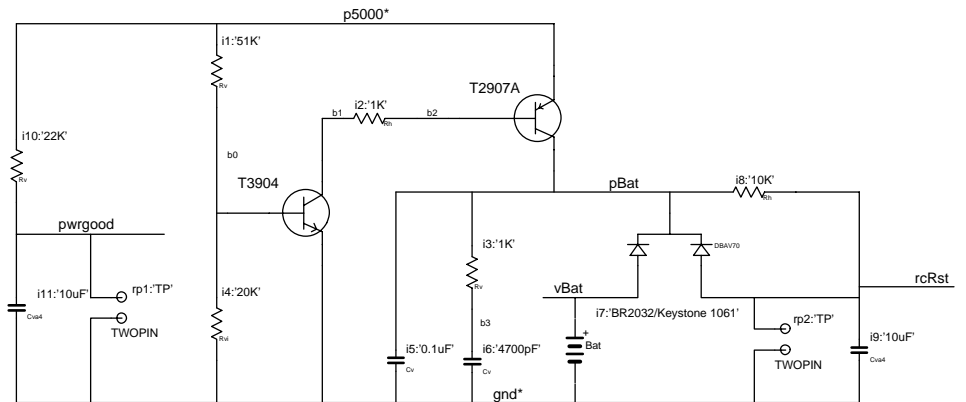
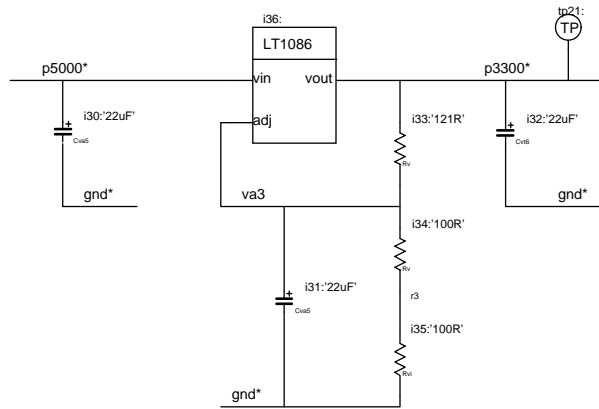
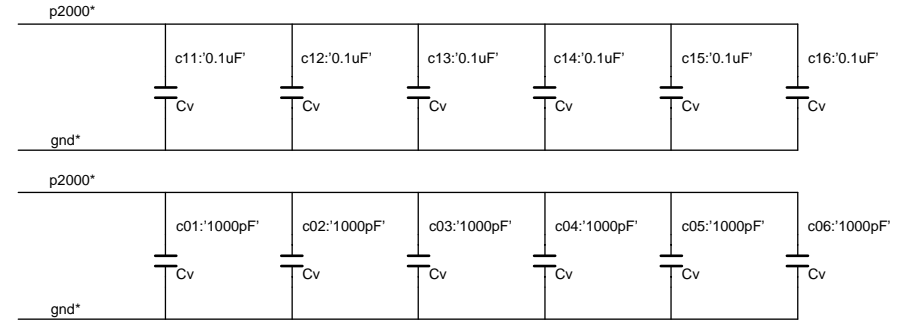
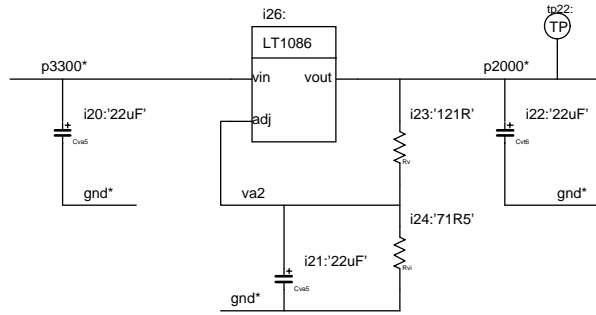
Four digital, three analog recommended by Crystal  
One for serial eeprom, four for audio (sheet 10)



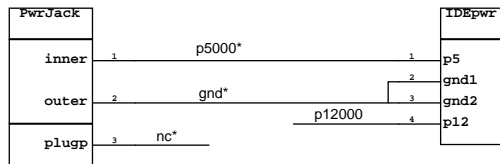
R2, R3, and R4 are setup for 100 ohm twisted pair.  
Other values are possible. See CS8900 data sheet, page 123.

Note: Changed these caps from 10n to 1n

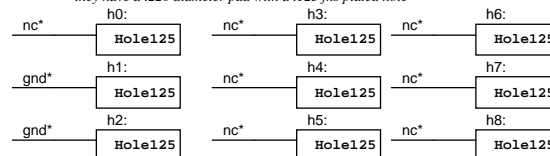
Title: Ethernet	11 of 16
By: Hal Murray	
\$Date: 1997/04/30 09:20:59 \$	
RCS \$Revision: 1.16 \$	
Version: Rev 4	



Note: Battery is 3V Li coin cell BR2032 in a smt holder

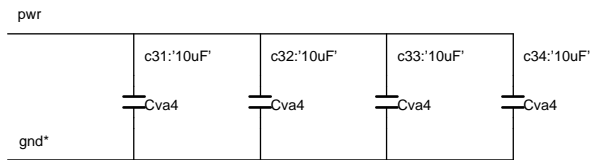
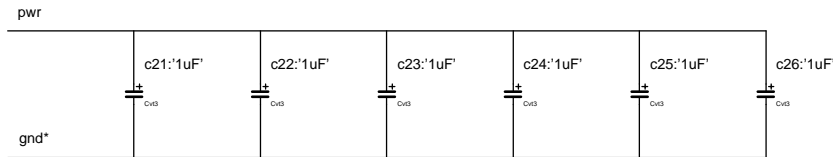
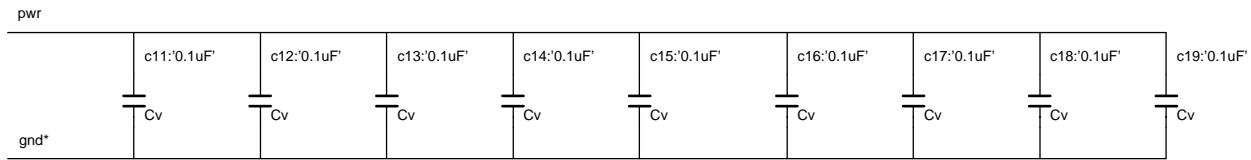


Note: These are the mounting holes, with the two near the connectors grounded they have a .220 diameter pad with a .125 fls plated hole

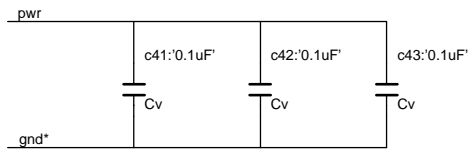


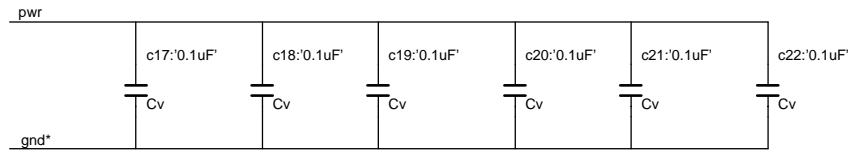
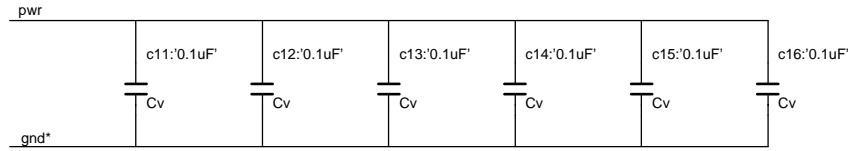
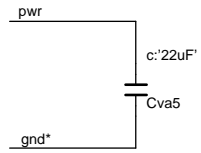
Title: Power	12 of 16
By: Mark Hayter	
\$Date: 1997/05/14 03:07:47 \$	
RCS \$Revision: 1.28 \$	
Version: Rev 4	

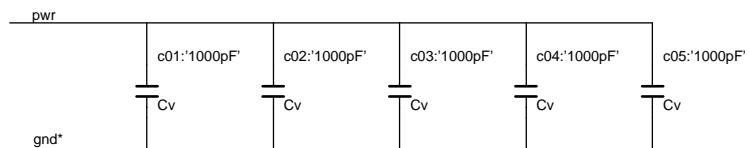
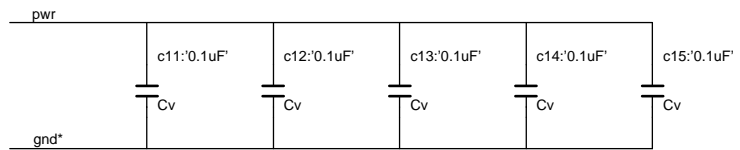
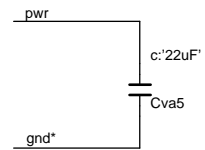
Note: Sequoia1 gets 0.1uF + 1uF for each of the five power groups plus 1uF extra  
 Note: Sequoia2 gets 0.1uF + 10uF for each of the four power groups

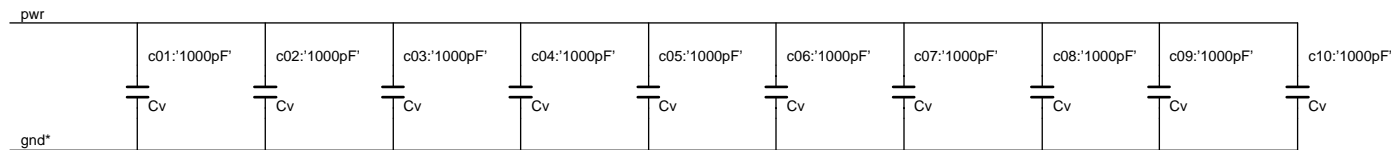
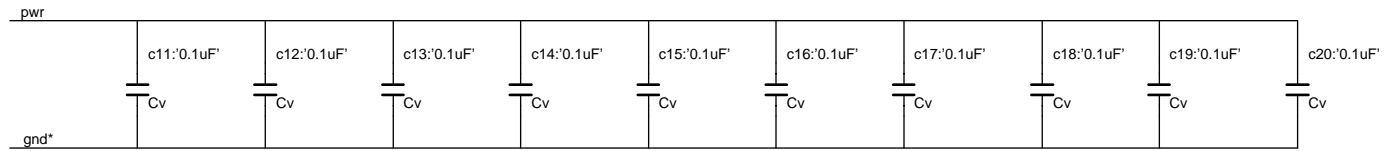
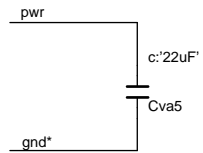


Note: Three 0.1uF for the IDE buffers









This datasheet has been downloaded from:

[www.DatasheetCatalog.com](http://www.DatasheetCatalog.com)

Datasheets for electronic components.



LittleDiode supplies new, hard to find or obsolete electronic components and semiconductors all over the world.

With over two million different components listed you are sure to find the part you need.

Feel free to visit us today at our online store:

[LittleDiode.com](http://LittleDiode.com)

Looking forward to providing you with the best possible service.