

# FA5301P(N)

Bipolar IC  
For Switching Power Supply Control

## ■ Description

The FA5301P(N) is a bipolar IC containing basic circuits necessary for PWM-type switching power supply control. This IC switches an external transistor according to external synchronizing pulses.

## ■ Features

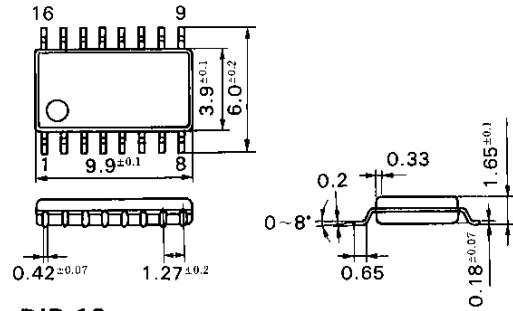
- External synchronization input terminal
- Wide supply voltage range ( $V_{CC} = 70$  to  $22V$ )
- Open-collector output
- Soft-start from standby mode
- Free-running frequency higher than synchronizing frequency
- Double protection of output transistor by overcurrent limiting and cutoff functions
- Output ON/OFF control function
- Not many external discrete components needed

## ■ Applications

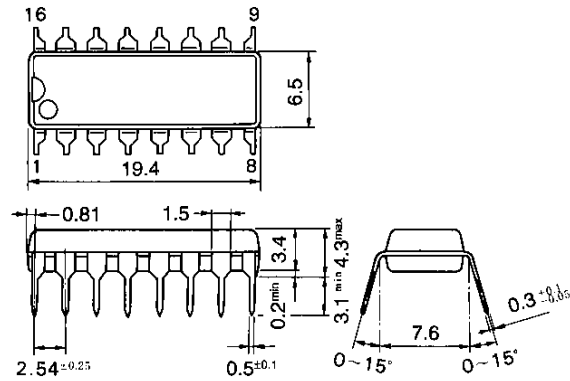
- Switching power supply for general equipment (Optimum for TV, display, and other monitor devices)

## ■ Dimensions, mm

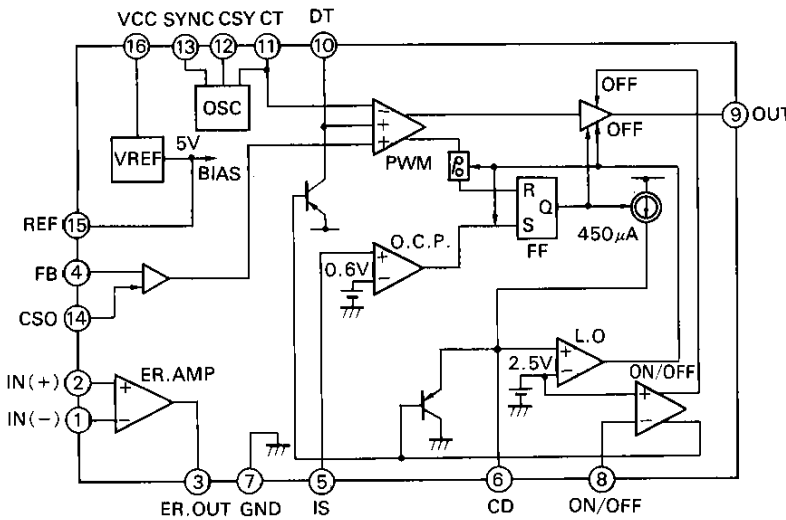
### ● SOP-16



### ● DIP-16



## ■ Block diagram



Pin No.	Pin symbol	Description
1	IN (-)	Inverting input to error amplifier
2	IN (+)	Non-inverting input to error amplifier
3	ER.OUT	Error amplifier output
4	FB	Feedback input
5	IS	Overcurrent detection
6	CD	Overcurrent cutoff delay capacitor
7	GND	Ground
8	ON/OFF	Output ON/OFF control
9	OUT	Output
10	DT	Dead time adjustment
11	CT	Oscillator timing capacitor
12	CSY	External synchronizing signal detection capacitor
13	SYNC	External synchronization input
14	CSO	PWM soft-start capacitor
15	REF	Reference voltage output (5V)
16	VCC	Power supply

### ■ Absolute maximum ratings

Item	Symbol	Rating	Unit
Supply voltage	V <sub>CC</sub>	22	V
Output voltage	V <sub>O</sub>	22	V
Error amplifier output current	I <sub>OM</sub>	5	mA
Error amplifier input voltage	V <sub>I</sub>	5	V
Overcurrent detection terminal input voltage	V <sub>IS</sub>	20	V
Feedback terminal input voltage	V <sub>FB</sub>	20	V
Output ON/OFF terminal input voltage	V <sub>ON/OFF</sub>	6	V
Synchronizing terminal input voltage	V <sub>SYNC</sub>	6	V
Total power dissipation	P <sub>d</sub>	1000 (DIP-16) *1 400 (SOP-16) *2	mW
Operating temperature	T <sub>opr</sub>	-20 to +85	°C
Storage temperature	T <sub>stg</sub>	-40 to +150	°C

### ■ Recommended operating conditions

Item	Symbol	Min.	Max.	Unit
Supply voltage	V <sub>CC</sub>	7	20	V
Error amplifier input voltage	V <sub>I</sub>	0	V <sub>REF</sub> -2	V
Output current	I <sub>O</sub>		20	mA
Error amplifier feedback resistor	R <sub>NF</sub>	33		kΩ
Oscillator timing capacitor	C <sub>T</sub>	470	10,000	pF
Oscillator timing resistor	R <sub>T</sub>	4.7	220	kΩ
Oscillation frequency	f <sub>osc</sub>	1	65	kHz

Notes:

\*1 Derating factor Ta &gt; 25°C : 10.0mW/°C (on PC board)

\*2 Derating factor Ta &gt; 25°C : 4.0mW/°C (on PC board)

### ■ Electrical characteristics (Ta = 25°C, V<sub>CC</sub> = 9V, R<sub>T</sub> = 47kΩ, C<sub>T</sub> = 1000pF)

#### Reference voltage section

Item	Symbol	Test condition	Min.	Typ.	Max.	Unit
Output voltage	V <sub>REF</sub>	I <sub>OR</sub> = 1mA	4.75	5.00	5.25	V
Line regulation	LINE	V <sub>CC</sub> = 8 to 20V		10	25	mV
Load current regulation	LOAD	I <sub>OR</sub> = 0.1 to 2mA		10	25	mV
Output voltage variation by temperature fluctuation	V <sub>TC1</sub>	Ta = -20 to +25°C		1		%
	V <sub>TC2</sub>	Ta = +25 to +85°C		1		%
Output current at output short-circuit	I <sub>OS</sub>			25		mA

#### Oscillator section

Item	Symbol	Test condition	Min.	Typ.	Max.	Unit
Oscillation frequency	f <sub>OSC</sub>	C <sub>T</sub> = 1,000pF, R <sub>T</sub> = 47kΩ		20		kHz
Frequency variation by line voltage fluctuation	f <sub>ΔV</sub>	V <sub>CC</sub> = 8 to 20V			2	%
Input current to synchronizing signal terminal	I <sub>SYNC1</sub>	V <sub>SYNC</sub> = 1V		300	600	μA
	I <sub>SYNC2</sub>	V <sub>SYNC</sub> = -0.5V		-60	-300	μA
Input current to synchronizing signal detection terminal	I <sub>CSY1</sub>	Pin 12 = 0V, V <sub>SYNC</sub> = -0.5V	-65	-130	-260	μA
	I <sub>CSY2</sub>	Pin 12 = 1V, V <sub>SYNC</sub> = 1V		200	400	μA
Threshold voltage of synchronizing signal detection terminal	V <sub>TH CSY</sub>			0.7	1.0	V

#### Error amplifier section

Item	Symbol	Test condition	Min.	Typ.	Max.	Unit
Input offset voltage	V <sub>IO</sub>		-10		10	mV
Input bias current	I <sub>I</sub>				1	μA
Common-mode input voltage	V <sub>CM</sub>		0		V <sub>REF</sub> -2	V
Open-loop voltage gain	A <sub>V</sub>		70	95		dB
Unity-gain bandwidth	G <sub>B</sub>			0.8		MHz
Common-mode signal rejection ratio	CMRR			80		dB
Maximum output voltage	V <sub>OM+</sub>	I <sub>OM</sub> = -50μA		4		V
	V <sub>OM-</sub>	I <sub>OM</sub> = 50μA			0.5	V
Output sink current	I <sub>OM-</sub>	V <sub>OM</sub> = 1V	170	240		μA

**PWM comparator section**

Item	Symbol	Test condition	Min.	Typ.	Max.	Unit
Input bias current (Pin 4)	IBFB	$V_{FB} = 1V$		-2.0	-10.0	$\mu A$
Input threshold voltage (Pin 4)	$V_{TH0}$	Duty cycle = 0%		3.3		V
	$V_{TH100}$	Duty cycle = 100%		0.2		V
Soft-start signal pin input current	ICSO	Pin 14 = 3V, $V_{FB} = 0V$		2.0	10.0	$\mu A$

**Dead time adjustment circuit section**

Item	Symbol	Test condition	Min.	Typ.	Max.	Unit
Input bias current	IBDT	Pin 10 = 1V		-0.5	-5	$\mu A$
Input threshold voltage	$V_{THDT0}$	Duty cycle = 0%		3.2		V
	$V_{THDT100}$	Duty cycle = 100%		0.1		V
Reset saturation voltage	VSATRS	Pin 10 = -100 $\mu A$		0.25	0.8	V

**Overcurrent limiting circuit section**

Item	Symbol	Test condition	Min.	Typ.	Max.	Unit
Input bias current (Pin 5)	IBIS	$V_{IS} = 0.3V$			-1	$\mu A$
Input threshold voltage (Pin 5)	$V_{THIS}$		0.5	0.6	0.7	V
Source current of overcurrent cutoff terminal	IOCD	Pin 6 = 0V, $V_{IS} = 1V$		-450	-700	$\mu A$
Latch-mode threshold voltage	$V_{THLA}$		1.8	2.2	2.6	V
Reset saturation voltage (Pin 6)	VSATRS	Pin 6 = 100 $\mu A$ , $V_{IS} = 0V$		0.75	1.0	V

**Output section**

Item	Symbol	Test condition	Min.	Typ.	Max.	Unit
Output leakage current	ILEAK	$V_O = 22V$ , Output OFF			10	$\mu A$
L-level output voltage	$V_{OL}$	$I_O = 10mA$		0.4	0.7	V
Output sink current limit	ISINK	$V_O = 3V$	25	40	55	mA

**Output ON/OFF control circuit section**

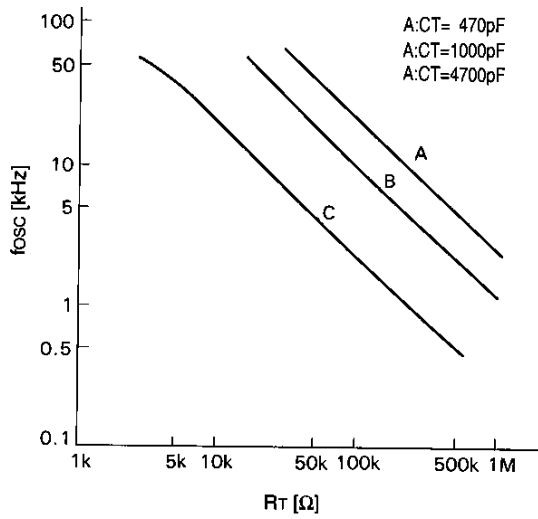
Item	Symbol	Test condition	Min.	Typ.	Max.	Unit
Input bias current (Pin 8)	IBON	Pin 8 = 0V		-60	-300	$\mu A$
OFF-to-ON threshold voltage	$V_{THON}$	OFF→ON	2.13	2.50	2.87	V
ON-to-OFF threshold voltage	$V_{THOFF}$	ON→OFF	1.96	2.30	2.64	V
Voltage hysteresis	$V_{HYS}$			0.2		V

**Overall device**

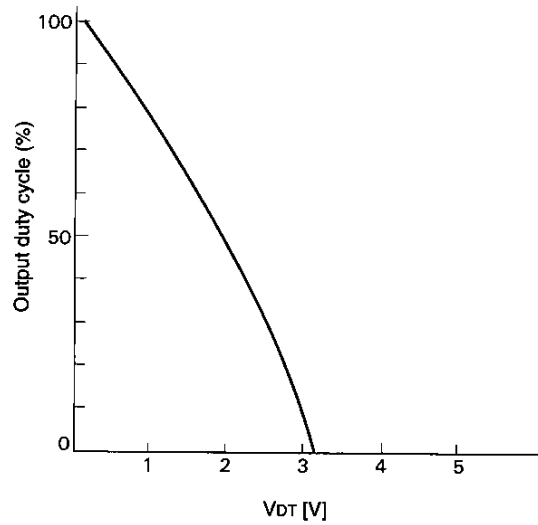
Item	Symbol	Test condition	Min.	Typ.	Max.	Unit
Standby current	ICCST	Pin 8 = 0V		9.0	13.7	mA
Supply current	ICCLA	$R_T = 47k\Omega$ , latch mode		8.0	12.0	mA
Operating-state supply current	ICCAV	$R_T = 47k\Omega$ , duty cycle = 50%		6.5	9.8	mA

■ Characteristic curves (Ta = 25°C)

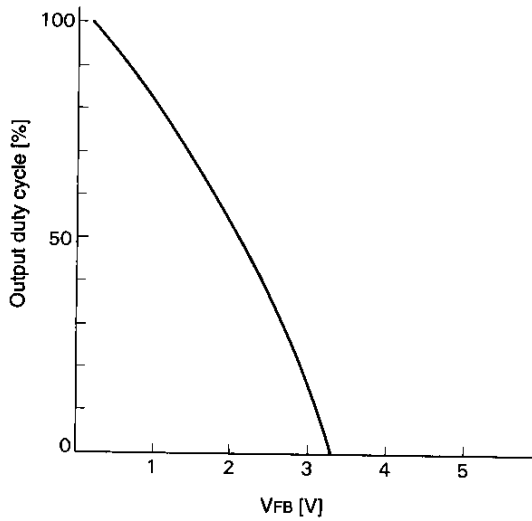
Oscillation frequency (fosc) vs. timing resistor resistance (RT)



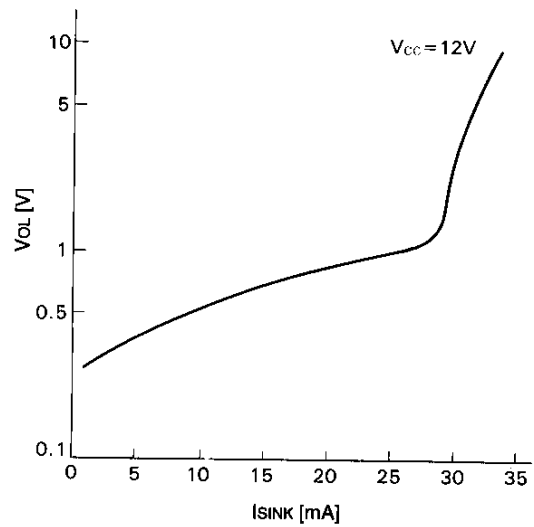
Output duty cycle vs. DT terminal voltage (VDT)



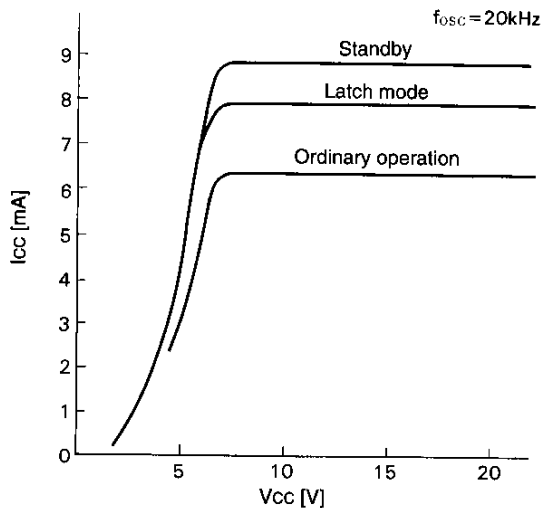
Output duty cycle vs. FB terminal voltage (VFB)



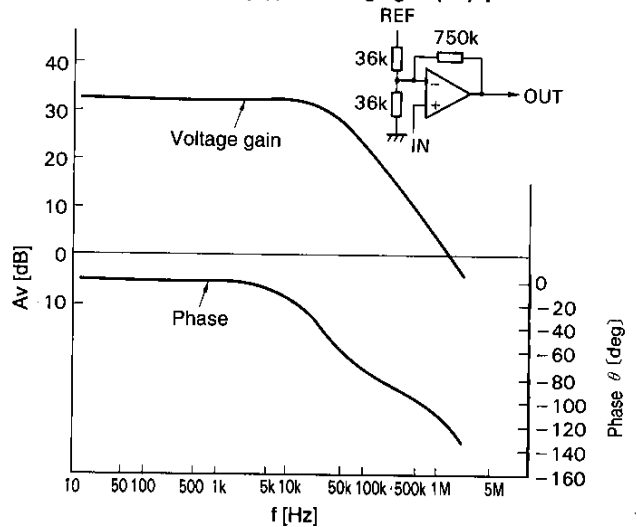
L-level output voltage vs. output sink current (ISINK)



Supply current (Icc) vs. supply voltage (Vcc)



Error amplifier frequency (f) vs. voltage gain (Av) / phase





## CAUTION

1. This Data Book contains the product specifications, characteristics, data, materials, and structures as of July 1995. The contents are subject to change without notice for specification changes or other reasons. When using a product listed in this Data Book, be sure to obtain the latest specifications.
2. All applications described in this Data Book exemplify the use of Fuji's products for your reference only. No right or license, either express or implied, under any patent, copyright, trade secret or other intellectual property right owned by Fuji Electric Co., Ltd. is (or shall be deemed) granted. Fuji makes no representation or warranty, whether express or implied, relating to the infringement or alleged infringement of other's intellectual property rights which may arise from the use of the applications described herein.
3. Although Fuji Electric is enhancing product quality and reliability, a small percentage of semiconductor products may become faulty. When using Fuji Electric semiconductor products in your equipment, you are requested to take adequate safety measures to prevent the equipment from causing a physical injury, fire, or other problem if any of the products become faulty. It is recommended to make your design fail-safe, flame retardant, and free of malfunction.
4. The products introduced in this Data Book are intended for use in the following electronic and electrical equipment which has normal reliability requirements.
  - Computers      • OA equipment      • Communications equipment (terminal devices)      • Measurement equipment
  - Machine tools      • Audiovisual equipment      • Electrical home appliances      • Personal equipment      • Industrial robots etc.
5. If you need to use a product in this Data Book for equipment requiring higher reliability than normal, such as for the equipment listed below, it is imperative to contact Fuji Electric to obtain prior approval. When using these products for such equipment, take adequate measures such as a backup system to prevent the equipment from malfunctioning even if a Fuji's product incorporated in the equipment becomes faulty.
  - Transportation equipment (mounted on cars and ships)      • Trunk communications equipment
  - Traffic-signal control equipment      • Gas leakage detectors with an auto-shut-off feature
  - Emergency equipment for responding to disasters and anti-burglary devices      • Safety devices
6. Do not use products in this Data Book for the equipment requiring strict reliability such as (without limitation)
  - Space equipment      • Aeronautic equipment      • Atomic control equipment
  - Submarine repeater equipment      • Medical equipment
7. Copyright ©1995 by Fuji Electric Co., Ltd. All rights reserved.  
No part of this Data Book may be reproduced in any form or by any means without the express permission of Fuji Electric.
8. If you have any question about any portion in this Data Book, ask Fuji Electric or its sales agents before using the product. Neither Fuji nor its agents shall be liable for any injury caused by any use of the products not in accordance with instructions set forth herein.