

## FDH34N40

### 34A, 400V, 0.115 Ohm, N-Channel SMPS Power MOSFET

#### Applications

##### Switch Mode Power Supplies(SMPS), such as

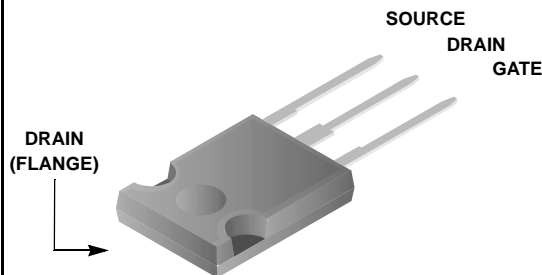
- PFC Boost
- Two-Switch Forward Converter
- Single Switch Forward Converter
- Flyback Converter
- Buck Converter
- High Speed Switching

#### Features

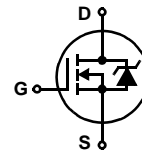
- Low Gate Charge  $Q_g$  results in Simple Drive Requirement
- Improved Gate, Avalanche and High Reapplied  $dv/dt$  Ruggedness
- Reduced  $r_{DS(ON)}$
- Reduced Miller Capacitance and Low Input Capacitance
- Improved Switching Speed with Low EMI
- 175°C Rated Junction Temperature

#### Package

JEDEC TO-247



#### Symbol



#### Absolute Maximum Ratings $T_C = 25^\circ\text{C}$ unless otherwise noted

Symbol	Parameter	Ratings	Units
$V_{DSS}$	Drain to Source Voltage	400	V
$V_{GS}$	Gate to Source Voltage	$\pm 30$	V
$I_D$	Drain Current		
	Continuous ( $T_C = 25^\circ\text{C}$ , $V_{GS} = 10\text{V}$ )	34	A
	Continuous ( $T_C = 100^\circ\text{C}$ , $V_{GS} = 10\text{V}$ )	24	A
	Pulsed (Note 1)	136	A
$P_D$	Power dissipation	469	W
	Derate above $25^\circ\text{C}$	3.1	W/ $^\circ\text{C}$
$T_J, T_{STG}$	Operating and Storage Temperature	-55 to 175	$^\circ\text{C}$
	Soldering Temperature for 10 seconds	300 (1.6mm from case)	$^\circ\text{C}$
	Mounting Torque, 8-32 or M3 Screw	10lbf*in (1.1N*m)	

#### Thermal Characteristics

$R_{\theta JC}$	Thermal Resistance Junction to Case	0.32	$^\circ\text{C}/\text{W}$
$R_{\theta CS}$	Thermal Resistance Case to Sink, Flat, Greased Surface	0.24 TYP	$^\circ\text{C}/\text{W}$
$R_{\theta JA}$	Thermal Resistance Junction to Ambient	40	$^\circ\text{C}/\text{W}$

## Package Marking and Ordering Information

Device Marking	Device	Package	Reel Size	Tape Width	Quantity
FDH34N40	FDH34N40	TO-247	Tube	-	30

## Electrical Characteristics $T_C = 25^\circ\text{C}$ (unless otherwise noted)

Symbol	Parameter	Test Conditions	Min	Typ	Max	Units
<b>Statics</b>						
$B_{VDSS}$	Drain to Source Breakdown Voltage	$I_D = 250\mu\text{A}$ , $V_{GS} = 0\text{V}$	400	-	-	V
$\Delta B_{VDSS}/\Delta T_J$	Breakdown Voltage Temp. Coefficient	$V/^\circ\text{C}$ Reference to $25^\circ\text{C}$ $I_D = 1\text{mA}$	-	0.4	-	
$r_{DS(ON)}$	Drain to Source On-Resistance	$V_{GS} = 10\text{V}$ , $I_D = 17\text{A}$	-	0.106	0.115	$\Omega$
$V_{GS(th)}$	Gate Threshold Voltage	$V_{DS} = V_{GS}$ , $I_D = 250\mu\text{A}$	2.0	3.4	4.0	V
$I_{DSS}$	Zero Gate Voltage Drain Current	$V_{DS} = 400\text{V}$	-	-	25	$\mu\text{A}$
		$V_{GS} = 0\text{V}$	-	-	250	
$I_{GSS}$	Gate to Source Leakage Current	$V_{GS} = \pm 20\text{V}$	-	-	$\pm 100$	nA

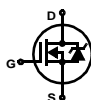
## Dynamics

$g_{fs}$	Forward Transconductance	$V_{DS} = 50\text{V}$ , $I_D = 17\text{A}$	15	-	-	S
$Q_{g(TOT)}$	Total Gate Charge at 10V	$V_{GS} = 10\text{V}$	-	57	68	nC
$Q_{gs}$	Gate to Source Gate Charge	$V_{DS} = 320\text{V}$	-	17	20	nC
$Q_{gd}$	Gate to Drain "Miller" Charge	$I_D = 34\text{A}$	-	18	22	nC
$t_{d(ON)}$	Turn-On Delay Time	$V_{DD} = 200\text{V}$ $I_D = 34\text{A}$	-	16	-	ns
$t_r$	Rise Time		-	72	-	ns
$t_{d(OFF)}$	Turn-Off Delay Time	$R_G = 4.3\Omega$ $R_D = 5.88\Omega$	-	42	-	ns
$t_f$	Fall Time		-	58	-	ns
$C_{ISS}$	Input Capacitance	$V_{DS} = 25\text{V}$ , $V_{GS} = 0\text{V}$ $f = 1\text{MHz}$	-	3370	-	pF
$C_{OSS}$	Output Capacitance		-	460	-	pF
$C_{RSS}$	Reverse Transfer Capacitance		-	29.5	-	pF

## Avalanche Characteristics

$E_{AS}$	Single Pulse Avalanche Energy (Note 2)		2312	-	-	mJ
$I_{AR}$	Avalanche Current		-	-	34	A

## Drain-Source Diode Characteristics

$I_S$	Continuous Source Current (Body Diode)	MOSFET symbol showing the integral reverse p-n junction diode.	-	-	34	A
$I_{SM}$	Pulsed Source Current (Note 1) (Body Diode)		-	-	136	A
$V_{SD}$	Source to Drain Diode Voltage	$I_{SD} = 34\text{A}$	-	0.9	1.2	V
$t_{rr}$	Reverse Recovery Time	$I_{SD} = 34\text{A}$ , $dI_{SD}/dt = 100\text{A}/\mu\text{s}$	-	445	534	ns
$Q_{RR}$	Reverse Recovered Charge	$I_{SD} = 34\text{A}$ , $dI_{SD}/dt = 100\text{A}/\mu\text{s}$	-	7.16	8.6	$\mu\text{C}$

### Notes:

- 1: Repetitive rating; pulse width limited by maximum junction temperature
- 2: Starting  $T_J = 25^\circ\text{C}$ ,  $L = 4\text{mH}$ ,  $I_{AS} = 34\text{A}$

## Typical Characteristics

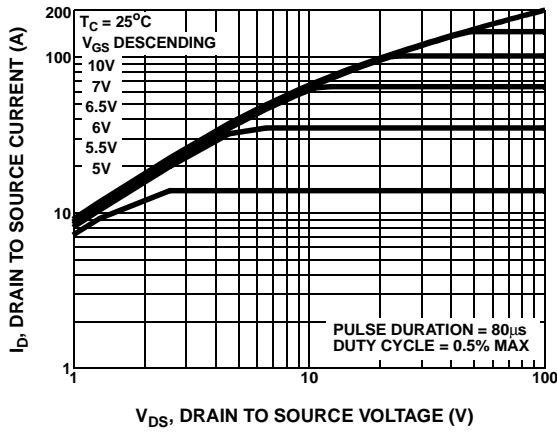


Figure 1. Output Characteristics

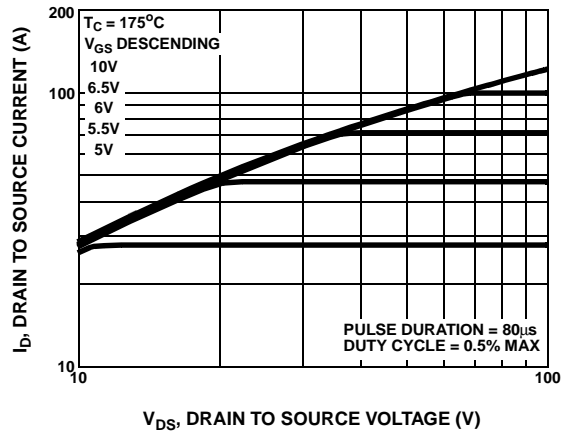


Figure 2. Output Characteristics

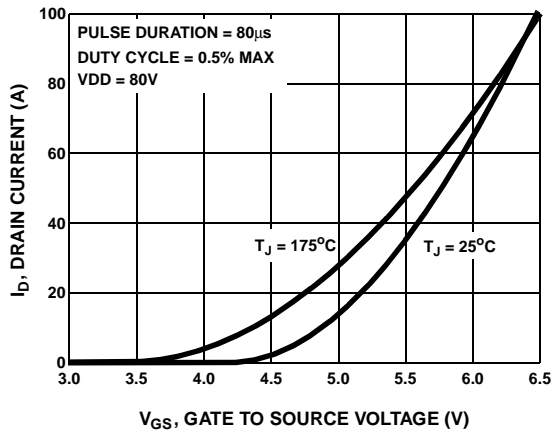


Figure 3. Transfer Characteristics

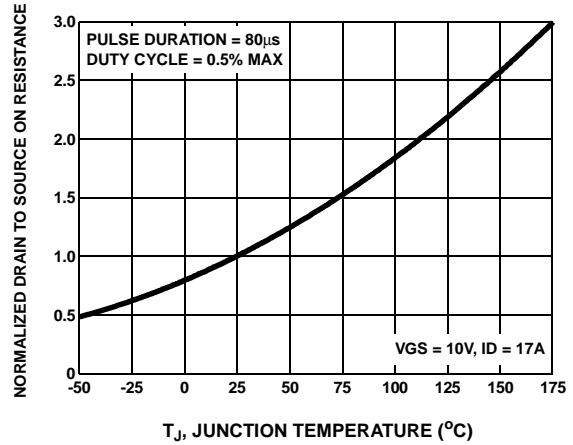


Figure 4. Normalized Drain To Source On Resistance vs Junction Temperature

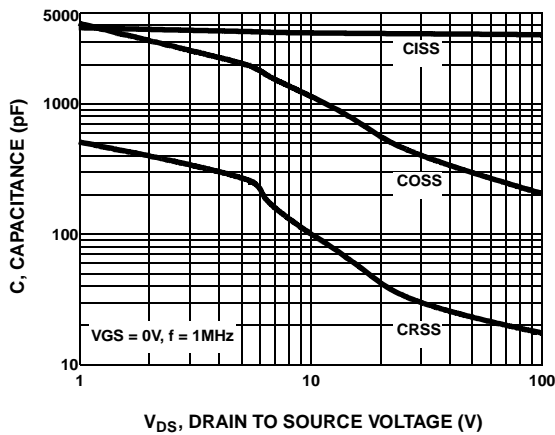


Figure 5. Capacitance vs Drain To Source Voltage

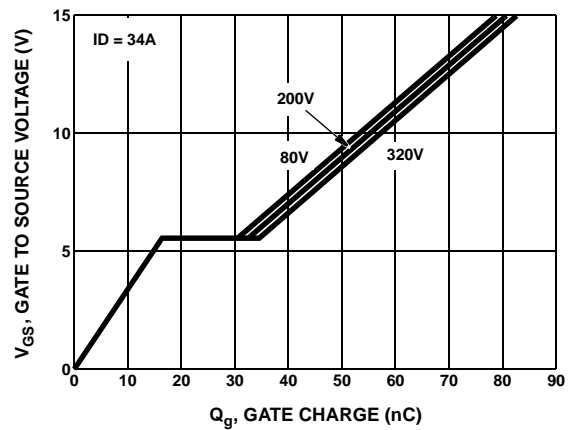


Figure 6. Gate Charge Waveforms For Constant Gate Current

Typical Characteristics

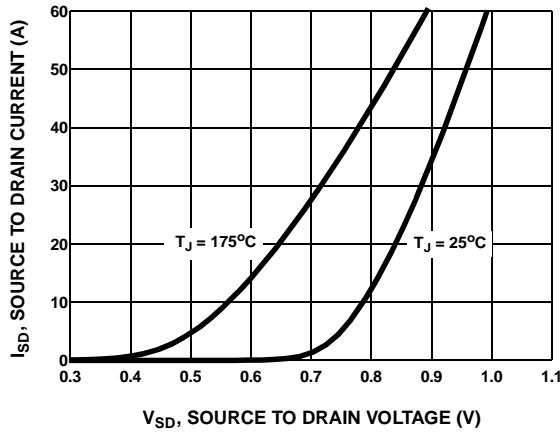


Figure 7. Source to Drain Diode Forward Voltage

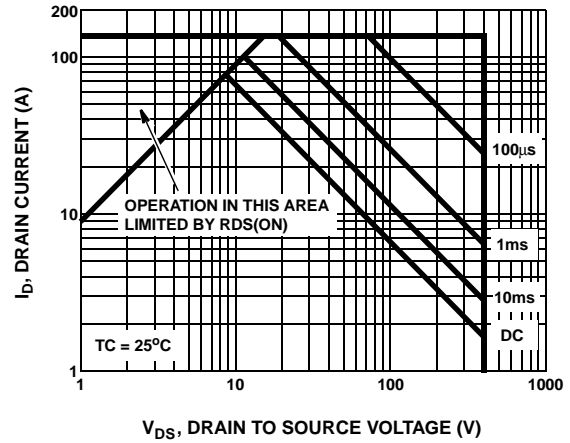


Figure 8. Maximum Safe Operating Area

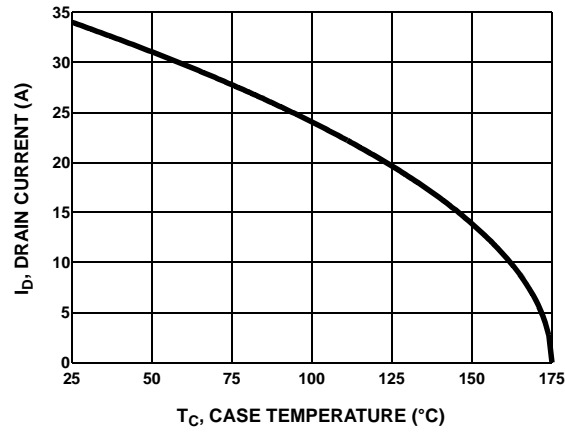


Figure 9. Maximum Drain Current vs Case Temperature

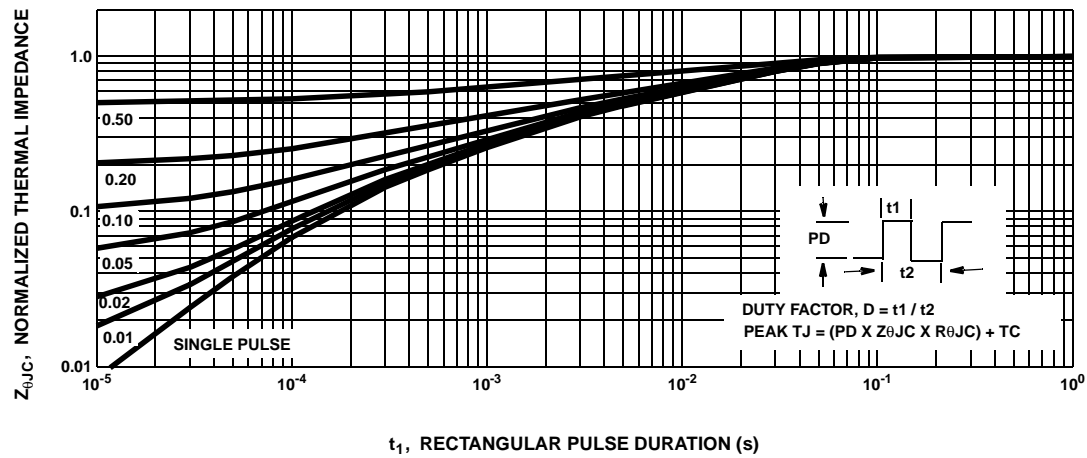


Figure 10. Normalized Maximum Transient Thermal Impedance

Test Circuits and Waveforms

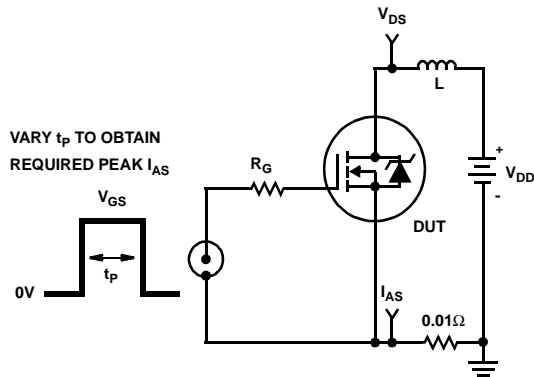


Figure 11. Unclamped Energy Test Circuit

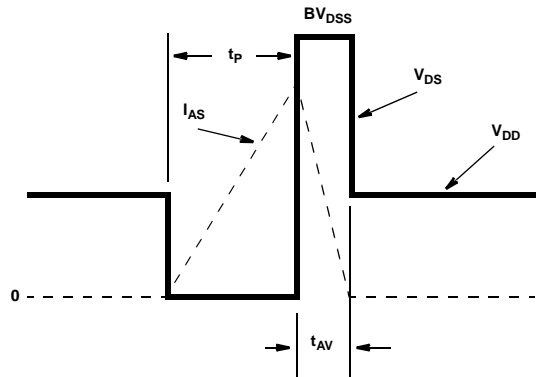


Figure 12. Unclamped Energy Waveforms

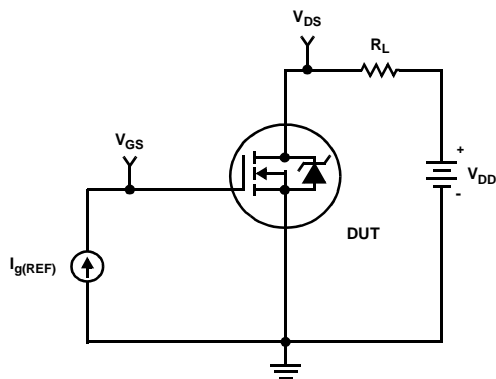


Figure 13. Gate Charge Test Circuit

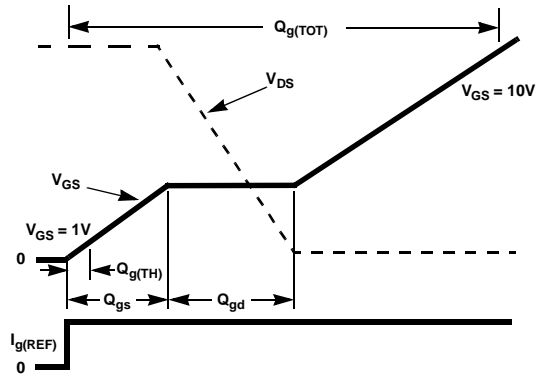


Figure 14. Gate Charge Waveforms

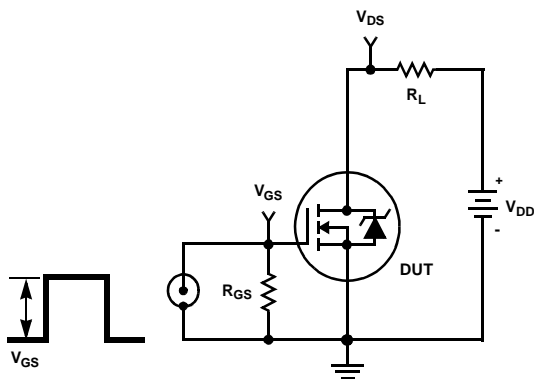


Figure 15. Switching Time Test Circuit

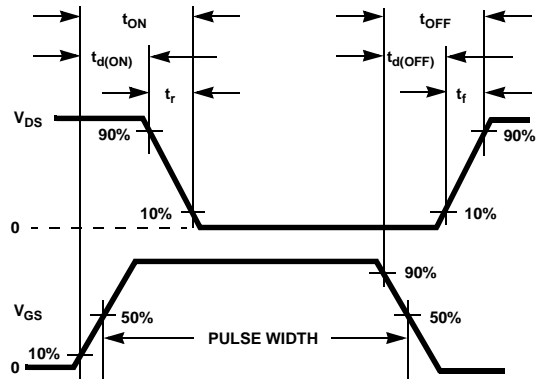


Figure 16. Switching Time Waveform

## TRADEMARKS

The following are registered and unregistered trademarks Fairchild Semiconductor owns or is authorized to use and is not intended to be an exhaustive list of all such trademarks.

ACEx™	FACT™	ImpliedDisconnect™	PACMAN™	SPM™
ActiveArray™	FACT Quiet Series™	ISOPLANAR™	POP™	Stealth™
Bottomless™	FAST®	LittleFET™	Power247™	SuperSOT™-3
CoolFET™	FASTr™	MicroFET™	PowerTrench®	SuperSOT™-6
CROSSVOLT™	FRFET™	MicroPak™	QFET™	SuperSOT™-8
DOME™	GlobalOptoisolator™	MICROWIRE™	QS™	SyncFET™
EcoSPARK™	GTO™	MSX™	QT Optoelectronics™	TinyLogic™
E <sup>2</sup> CMOS™	HiSeC™	MSXPro™	Quiet Series™	TruTranslation™
EnSigna™	µC™	OCX™	RapidConfigure™	UHC™
Across the board. Around the world.™		OCXPro™	RapidConnect™	UltraFET®
The Power Franchise™		OPTOLOGIC®	SILENT SWITCHER®	VCX™
Programmable Active Droop™		OPTOPLANAR™	SMART START™	

## DISCLAIMER

FAIRCHILD SEMICONDUCTOR RESERVES THE RIGHT TO MAKE CHANGES WITHOUT FURTHER NOTICE TO ANY PRODUCTS HEREIN TO IMPROVE RELIABILITY, FUNCTION OR DESIGN. FAIRCHILD DOES NOT ASSUME ANY LIABILITY ARISING OUT OF THE APPLICATION OR USE OF ANY PRODUCT OR CIRCUIT DESCRIBED HEREIN; NEITHER DOES IT CONVEY ANY LICENSE UNDER ITS PATENT RIGHTS, NOR THE RIGHTS OF OTHERS.

## LIFE SUPPORT POLICY

FAIRCHILD'S PRODUCTS ARE NOT AUTHORIZED FOR USE AS CRITICAL COMPONENTS IN LIFE SUPPORT DEVICES OR SYSTEMS WITHOUT THE EXPRESS WRITTEN APPROVAL OF FAIRCHILD SEMICONDUCTOR CORPORATION. As used herein:

1. Life support devices or systems are devices or systems which, (a) are intended for surgical implant into the body, or (b) support or sustain life, or (c) whose failure to perform when properly used in accordance with instructions for use provided in the labeling, can be reasonably expected to result in significant injury to the user.
2. A critical component is any component of a life support device or system whose failure to perform can be reasonably expected to cause the failure of the life support device or system, or to affect its safety or effectiveness.

## PRODUCT STATUS DEFINITIONS

### Definition of Terms

Datasheet Identification	Product Status	Definition
Advance Information	Formative or In Design	This datasheet contains the design specifications for product development. Specifications may change in any manner without notice.
Preliminary	First Production	This datasheet contains preliminary data, and supplementary data will be published at a later date. Fairchild Semiconductor reserves the right to make changes at any time without notice in order to improve design.
No Identification Needed	Full Production	This datasheet contains final specifications. Fairchild Semiconductor reserves the right to make changes at any time without notice in order to improve design.
Obsolete	Not In Production	This datasheet contains specifications on a product that has been discontinued by Fairchild semiconductor. The datasheet is printed for reference information only.



LittleDiode supplies new, hard to find or obsolete electronic components and semiconductors all over the world.

With over two million different components listed you are sure to find the part you need.

Feel free to visit us today at our online store:

[LittleDiode.com](http://LittleDiode.com)

Looking forward to providing you with the best possible service.