

HA13492

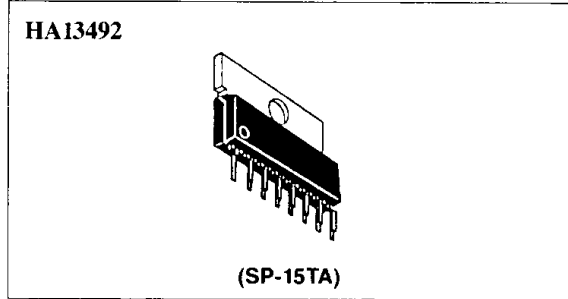
Quad Solenoid Driver

Description

The HA13492, a monolithic power IC, is a driver for inductive loads especially for automotive application. Packaged in Single-in-Line 15 pin, contains four driving circuits of 0.8 A. Each driver has OCL* and independent OTSD** circuit to protect the IC from the short circuit of loads. Also include input open circuit protector and all of the failure condition can be reported by diagnostic circuit.

* OCL : Over current limiter

** OTSD : Over temperature shut down



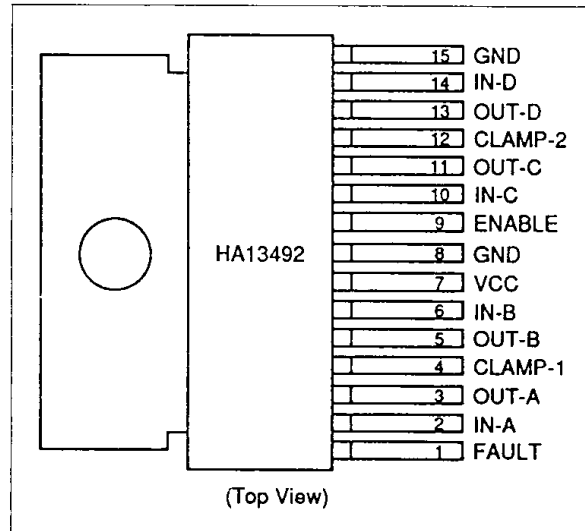
Functions

- 0.8 A quad driver
- With clamp diodes
- With chip Enable
- With over voltage protector circuit
- With short circuit protector (OCL & OTSD)
- With diagnostic circuit
- With fail safe function under input open circuit condition

Features

- High sustaining voltage (45 V)
- Low saturation voltage
- Wide operating supply voltage range ($V_{CC} = 7$ to 25 V)
- Can stand for reverse voltage
- Low standby current (200 μ A max)
- With independent short circuit protector for each channel
- Compatible with TTL, LS-TTL and 5 V CMOS

Pin Arrangement



Ordering Information

Type No.	Package
HA13492	SP-15TA

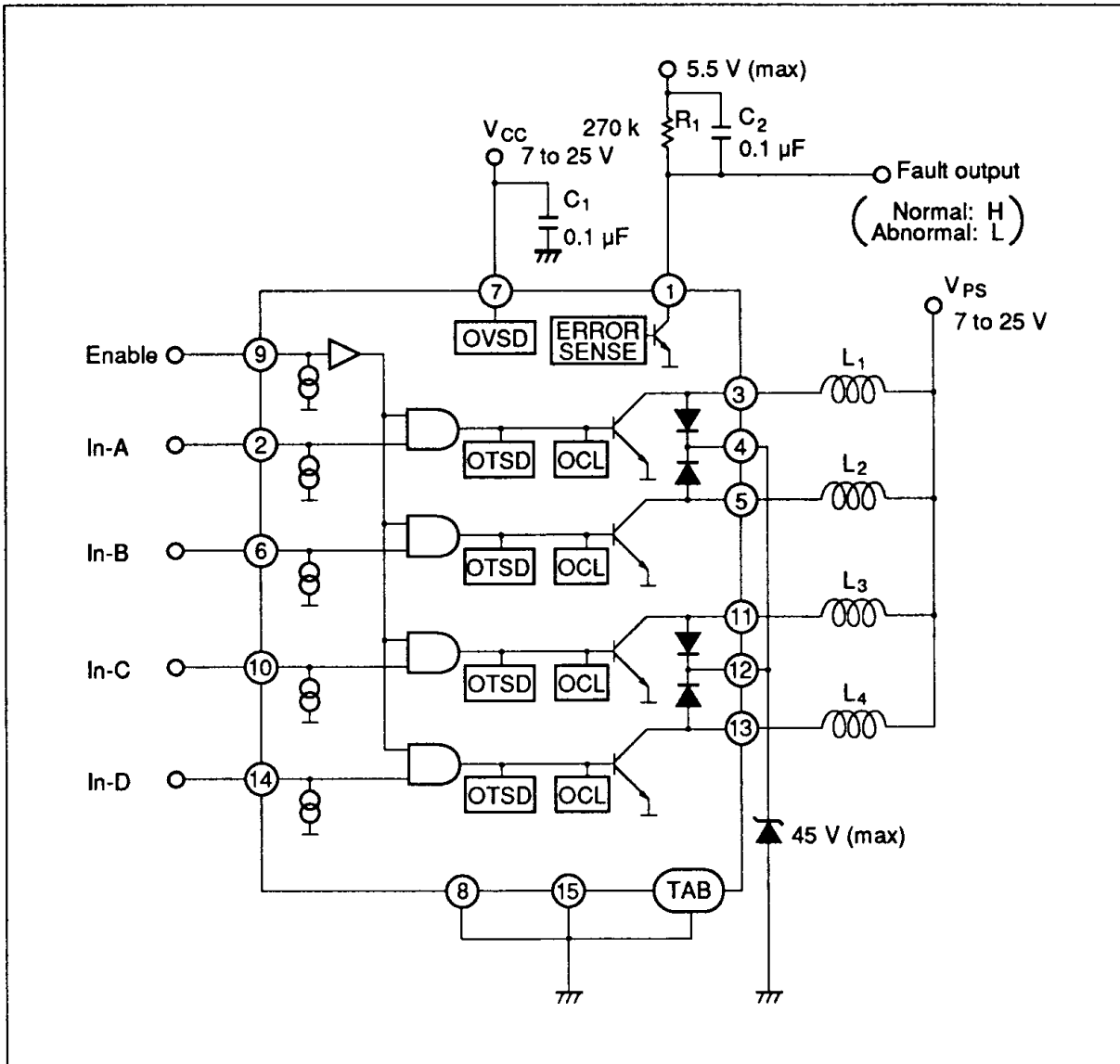
HA13492

Truth Table

Enable	In	Out	Fault	Operating condition
L	X	H	H	Normal condition
H	H	L	H	
H	L	H	H	
H	H	H	L	Short circuit of load, OCL, OTSD, OVSD
H	L	L	L	Open circuit of load

Enable, in {
 H : High level ; 2.0 V
 L : Low level ; 0.8 V
 X : Don't care

Block Diagram



Absolute Maximum Ratings (Ta = 25°C)

Item	Symbol	Ratings	Units	Note
Supply voltage	V _{CC}	-13 to 45	V	1
Input voltage	V _{IN}	-0.6 to 7	V	
Output voltage	V _{CEX}	45	V	
Output current	I _O	1.5	A	2
Power dissipation	P _T	3.5	W	
Junction temperature	T _j	150	°C	
Operating junction temperature range	T _{jop}	-40 to +135	°C	
Storage temperature range	T _{stg}	-55 to +150	°C	
Package thermal resistance	θ _{j-c}	3	°C/W	3
	θ _{j-a}	60	°C/W	

The absolute maximum ratings are limiting values, to be applied individually, beyond which the device may be permanently damaged. Functional operation under any of these conditions is not guaranteed. Exposing a circuit to its absolute maximum rating for extended periods of time may affect the device's reliability.

- Notes:
1. Recommended operating voltage
V_{CC} = 7 to 16 V (normal)
16 to 25 V (jump start)
 2. Internally limited.
 3. θ_{j-c}; Thermal resistance from junction to case
θ_{j-a}; Thermal resistance from junction to air

HA13492

Electrical Characteristics (Ta = 25°C, VCC = 12 V ±10%)

Item	Symbol	Min	Typ	Max	Units	Test condition	Applicable pin	Note	
Supply current	I_{CCO}	—	55	200	μA	Enable = 0.8 V	7		
	I_{CC}	—	80	100	mA	Enable = 2 V, $I_{out} = 0 \text{ to } 0.8 \text{ A} \times 4 \text{ CH}$			
Input	Low level voltage	V_{IL}	—	—	0.8	V		9, 2, 6 10, 14	
	High level voltage	V_{IH}	2.0	—	—	V			
Low level current	I_{IL}	—10	—	40	μA	$V_{IN} = 0 \text{ to } 0.8 \text{ V}$ (Enable = 2 V)	2, 6 10, 14		
		—10	—	40	μA	Enable = 0 to 0.8 V	9		
High level current	I_{IH}	10	35	60	μA	$V_{IN} = 2.0 \text{ to } 5.5 \text{ V}$ (Enable = 2 V)	2, 6 10, 14		
		10	40	60	μA	Enable = 2.0 to 5.5 V	9		
		—5	—	10	μA	$V_{IN} = 5.5 \text{ V}$ (Enable = 0.8 V)	2, 6 10, 14		
Output	Low level voltage	$V_{CE(sat)}$	—	0.08	0.15	V	$I_{out} = 0.1 \text{ A}$	3, 5, 11 13	
			—	0.30	0.40	V	$I_{out} = 0.5 \text{ A}$		
			—	0.60	0.75	V	$I_{out} = 0.8 \text{ A}$		
Leakage current	I_{CEX1}	—	0.5	5	mA	Enable = 2 V, $V_{IN} = 0.8 \text{ V}$ $V_{CE} = 45 \text{ V}$			
		200	400	600	μA	Enable = 2 V, $V_{IN} = 0.8 \text{ V}$ $V_{CE} = 12 \text{ V}$			
		—	—	100	μA	Enable = 0.8 V, $V_{CE} = 45 \text{ V}$			
Sustaining voltage	$V_{CE(sus)}$	45	—	—	V			1	
Clamp diode	Forward voltage	V_F	—	1.3	2.0	V	$I_F = 1.0 \text{ A}$	3, 4, 5, 11 12, 13	2
			—	1.5	2.5	V	$I_F = 1.5 \text{ A}$		
Leakage current	I_R	—	—	100	μA	$V_R = 50 \text{ V}$			
Fault out	Sink current	I_{OL}	30	—	125	μA	$V_{Fault} = 1 \text{ to } 5.5 \text{ V}$	1	
	Low level voltage	V_{OL}	—	0.2	0.4	V	$I_{Fault} = 30 \mu\text{A}$		
	Leakage current	I_{LEAK}	—	—	2	μA	$V_{Fault} = 1 \text{ to } 5.5 \text{ V}$		



Electrical Characteristics (Ta = 25°C, VCC = 12 V ±10%) (cont)

Item	Symbol	Min	Typ	Max	Units	Test condition	Applicable pin	Note
Output error sense threshold voltage	V ⁺	—	—	7	V	Enable = 2 V, V _{IN} = 2 V	3, 5, 11 13	3
	V ⁻	3	—	—	V	Enable = 2 V, V _{IN} = 0.8 V		
Turn on and turn off delay	t _{PHL}	—	8	15	μs	I _{out} = 0.5 A	2, 6, 10 14, 3, 5 11, 13	
	t _{PLH}	—	3	15	μs			
OVSD Starting voltage	V _{OVSD}	25.5	—	31	V		7	
	Hysteresis V _{HYS}	0.25	—	—	V			
OCL starting current	I _{OCL}	—	1.2	1.5	A		3, 5, 11 13	4
OTSD Starting temp	OTSD	145	—	—	°C			5
	Hysteresis T _{HYS}	—	—	20	°C			

- Notes: 1. See figure 1
 2. See figure 2
 3. See figure 3
 4. See figure 4
 5. Design parameter only

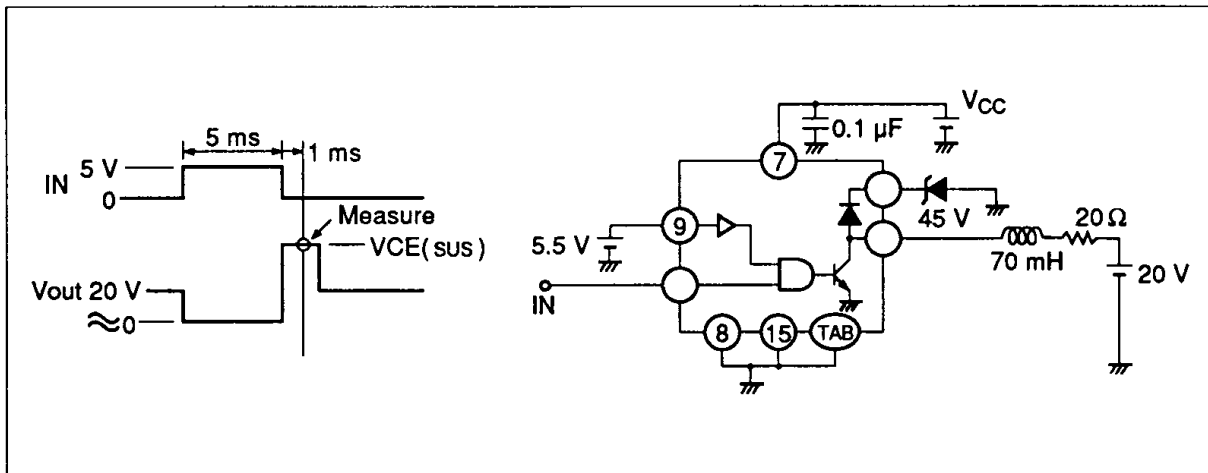


Figure 1 Output Sustaining Voltage Test

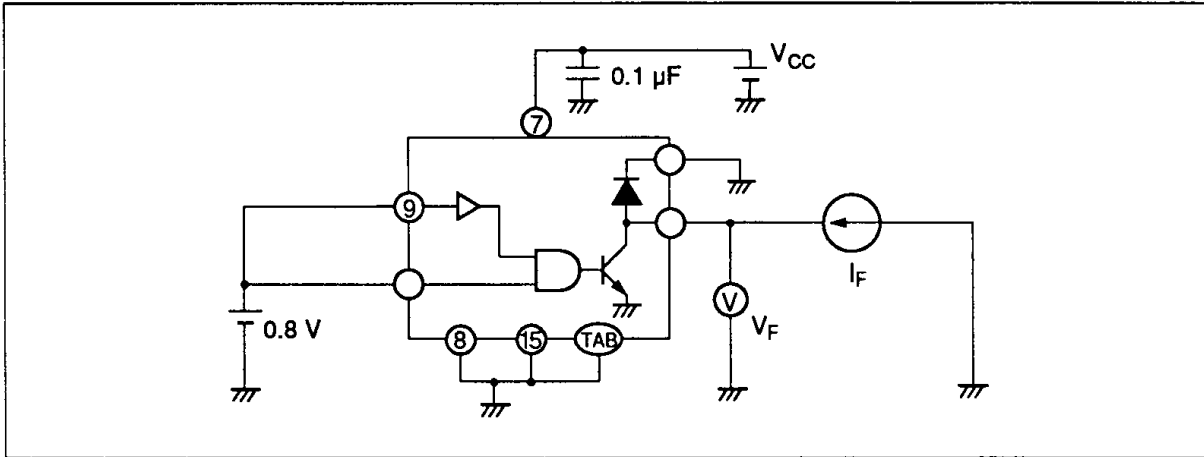


Figure 2 Clamp Diode V_F Test

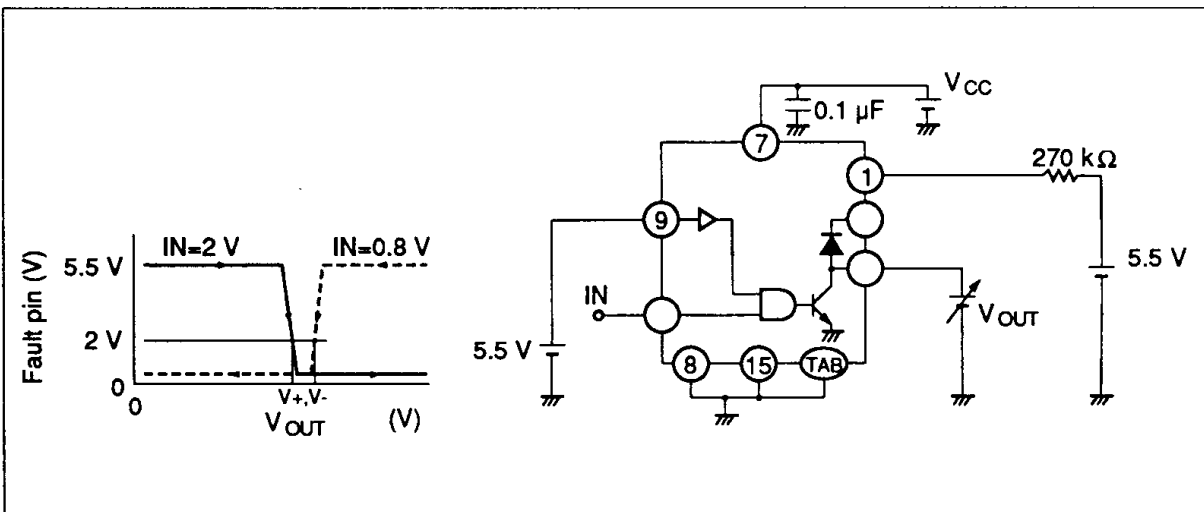


Figure 3 Output Error Sense Threshold Voltage Test

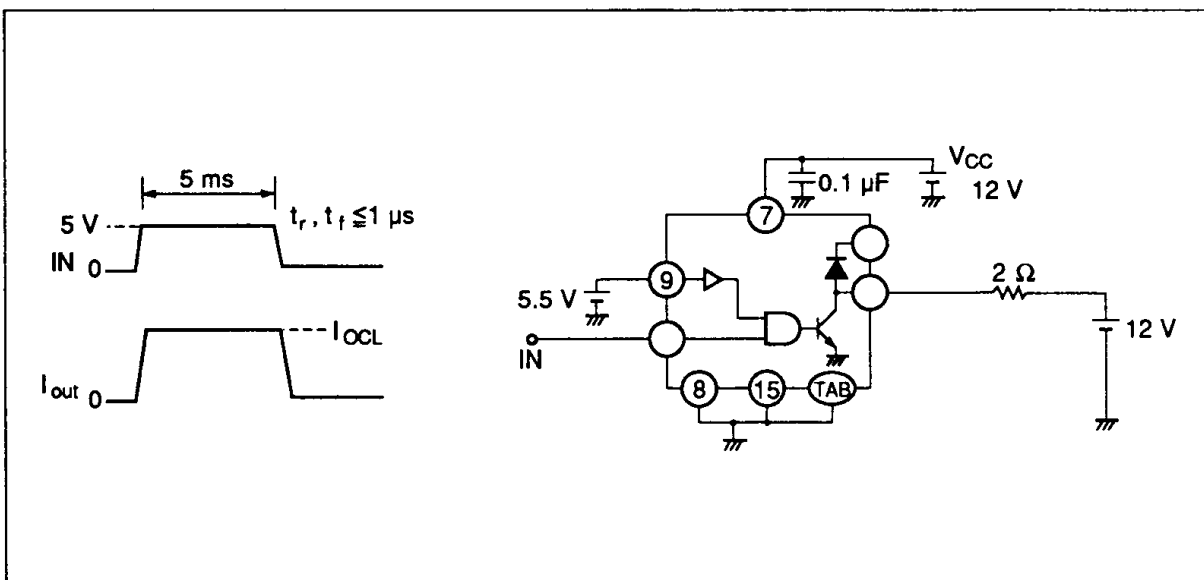


Figure 4 Over Current Limiter Test



This datasheet has been downloaded from:

www.DatasheetCatalog.com

Datasheets for electronic components.



LittleDiode supplies new, hard to find or obsolete electronic components and semiconductors all over the world.

With over two million different components listed you are sure to find the part you need.

Feel free to visit us today at our online store:

LittleDiode.com

Looking forward to providing you with the best possible service.