

Low Input Current Logic Gate Optocouplers

Technical Data

HCPL-2200 HCPL-2219

Features

- **2.5 kV/μs Minimum Common Mode Rejection (CMR) at $V_{CM} = 400\text{ V}$ (HCPL-2219)**
- **Compatible with LSTTL, TTL, and CMOS Logic**
- **Wide V_{CC} Range (4.5 to 20 V)**
- **2.5 Mbd Guaranteed over Temperature**
- **Low Input Current (1.6 mA)**
- **Three State Output (No Pullup Resistor Required)**
- **Guaranteed Performance from 0°C to 85°C**
- **Hysteresis**
- **Safety Approval**
UL Recognized -2500 V rms for 1 minute
CSA Approved
VDE 0884 Approved with $V_{IORM} = 630\text{ V}_{peak}$ (HCPL-2219 Option 060 Only)
- **MIL-STD-1772 Version Available (HCPL-5200/1)**

- **Ground Loop Elimination**
- **Pulse Transformer Replacement**
- **Isolated Buss Driver**
- **High Speed Line Receiver**

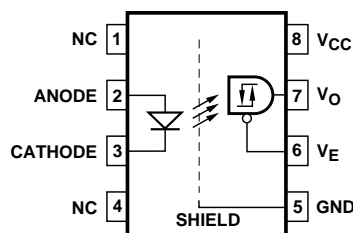
Description

The HCPL-2200/2219 are optically coupled logic gates that combine a GaAsP LED and an integrated high gain photo detector. The detector has a three state output stage and has a

detector threshold with hysteresis. The three state output eliminates the need for a pullup resistor and allows for direct drive of data busses. The hysteresis provides differential mode noise immunity and eliminates the potential for output signal chatter.

A superior internal shield on the HCPL-2219 guarantees common mode transient immunity of 2.5 kV/μs at a common mode voltage of 400 volts.

Functional Diagram



**TRUTH TABLE
(POSITIVE LOGIC)**

| LED | ENABLE | OUTPUT |
|-----|--------|--------|
| ON | H | Z |
| OFF | H | Z |
| ON | L | H |
| OFF | L | L |

Applications

- **Isolation of High Speed Logic Systems**
- **Computer-Peripheral Interfaces**
- **Microprocessor System Interfaces**

A 0.1 μF bypass capacitor must be connected between pins 5 and 8.

CAUTION: It is advised that normal static precautions be taken in handling and assembly of this component to prevent damage and/or degradation which may be induced by ESD.

The Electrical and Switching Characteristics of the HCPL-2200/2219 are guaranteed over the temperature range of 0°C to 85°C and a V_{CC} range of 4.5 volts to 20 volts. Low I_F and wide V_{CC} range allow compatibility with

TTL, LSTTL, and CMOS logic and result in lower power consumption compared to other high speed optocouplers. Logic signals are transmitted with a typical propagation delay of 160 nsec.

The HCPL-2200/2219 are useful for isolating high speed logic interfaces, buffering of input and output lines, and implementing isolated line receivers in high noise environments.

Selection Guide

| Minimum CMR | | Input On-Current (mA) | 8-Pin DIP (300 Mil) | | Small-Outline SO-8 | Widebody (400 Mil) | Hermetic |
|----------------------|--------------------|-----------------------|--|----------------------|------------------------|------------------------|----------------------------------|
| dV/dt (V/μs) | V_{CM} (V) | | Single Channel Package | Dual Channel Package | Single Channel Package | Single Channel Package | Single and Dual Channel Packages |
| 1,000 | 50 | 1.6 | HCPL-2200 ^[1] HCPL-2201 HCPL-2202 | | HCPL-0201 | HCNW2201 | |
| | | 1.8 | | HCPL-2231 | | | |
| 2,500 | 400 | 1.6 | HCPL-2219 ^[1] | | | | |
| 5,000 ^[2] | 300 ^[2] | 1.6 | HCPL-2211 HCPL-2212 | | HCPL-0211 | HCNW2211 | |
| | | 1.8 | | HCPL-2232 | | | |
| 1,000 | 50 | 2.0 | | | | | HCPL-52XX HCPL-62XX |

Notes:

1. HCPL-2200/2219 devices include output enable/disable functionality.
2. Minimum CMR of 10 kV/μs with $V_{CM} = 1000$ V can be achieved with input current, I_F , of 5 mA.

Ordering Information

Specify Part Number followed by Option Number (if desired).

Example:

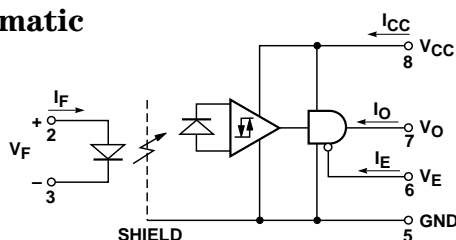
HCPL-2219#XXX

- _____ 060 = VDE 0884 $V_{IORM} = 630$ Vpeak Option*
- _____ 300 = Gull Wing Surface Mount Option
- _____ 500 = Tape and Reel Packaging Option

Option data sheets available. Contact your Hewlett-Packard sales representative or authorized distributor for information.

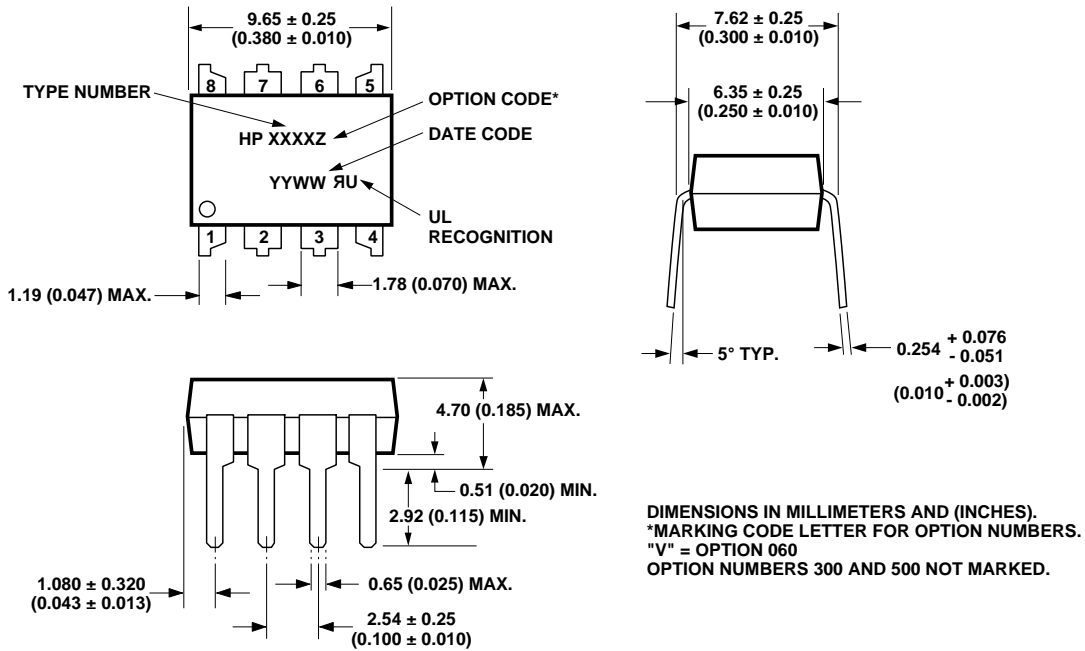
*For HCPL-2219 only.

Schematic

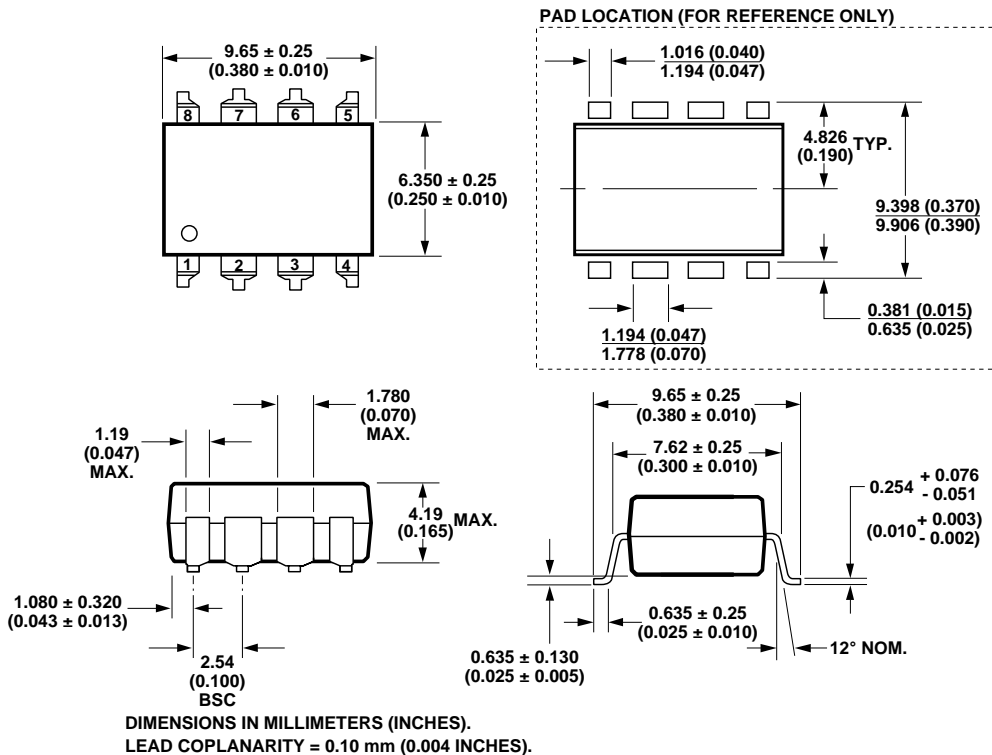


Package Outline Drawings

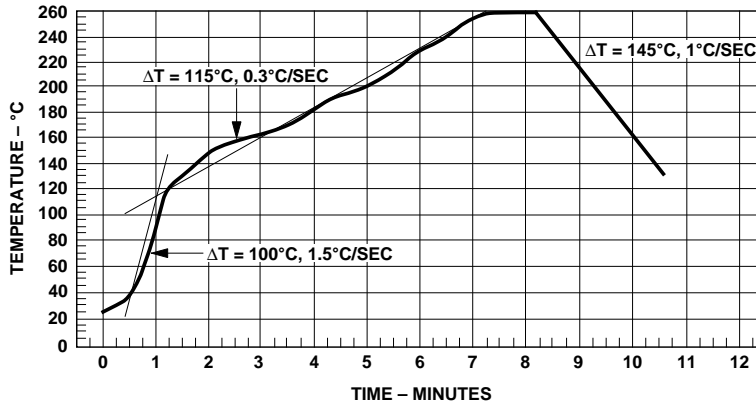
8-Pin DIP Package



8-Pin DIP Package with Gull Wing Surface Mount Option 300



Maximum Solder Reflow Thermal Profile



Note: Use of nonchlorine activated fluxes is highly recommended.

Regulatory Information

The HCPL-2200/2219 have been approved by the following organizations:

CSA

Approved under CSA Component Acceptance Notice #5, File CA 88324.

UL

Recognized under UL 1577, Component Recognition Program, File E55361.

VDE

Approved according to VDE 0884/06.92. (HCPL-2219 Option 060 Only)

Insulation and Safety Related Specifications

| Parameter | Symbol | Value | Units | Conditions |
|---|--------|-------|-------|--|
| Min. External Air Gap (External Clearance) | L(IO1) | 7.1 | mm | Measured from input terminals to output terminals, shortest distance through air. |
| Min. External Tracking Path (External Creepage) | L(IO2) | 7.4 | mm | Measured from input terminals to output terminals, shortest distance path along body. |
| Minimum Internal Plastic Gap (Internal Clearance) | | 0.08 | mm | Through insulation distance, conductor to conductor, usually the direct distance between the photoemitter and photodetector inside the optocoupler cavity. |
| Tracking Resistance (Comparative Tracking Index) | CTI | 200 | V | DIN IEC 112/VDE 0303 Part 1 |
| Isolation Group | | IIIa | | Material Group (DIN VDE 0110, 1/89, Table 1) |

Option 300 - surface mount classification is Class A in accordance with CECC 00802.

VDE 0884 Insulation Related Characteristics (HCPL-2219 OPTION 060 ONLY)

| Description | Symbol | Characteristic | Units |
|---|--|-------------------|-------------------------|
| Installation classification per DIN VDE 0110/1.89, Table 1 for rated mains voltage ≤ 300 V rms for rated mains voltage ≤ 450 V rms | | I-IV | |
| | | I-III | |
| Climatic Classification | | 55/85/21 | |
| Pollution Degree (DIN VDE 0110/1.89) | | 2 | |
| Maximum Working Insulation Voltage | V_{IORM} | 630 | V peak |
| Input to Output Test Voltage, Method b* $V_{IORM} \times 1.875 = V_{PR}$, 100% Production Test with $t_m = 1$ sec, Partial Discharge < 5 pC | V_{PR} | 1181 | V peak |
| Input to Output Test Voltage, Method a* $V_{IORM} \times 1.5 = V_{PR}$, Type and sample test, $t_m = 60$ sec, Partial Discharge < 5 pC | V_{PR} | 945 | V peak |
| Highest Allowable Overvoltage* (Transient Overvoltage, $t_{ini} = 10$ sec) | V_{IOTM} | 6000 | V peak |
| Safety Limiting Values (Maximum values allowed in the event of a failure, also see Figure 12, Thermal Derating curve.) Case Temperature Input Current Output Power | T_S $I_{S,INPUT}$ $P_{S,OUTPUT}$ | 175 230 600 | $^{\circ}C$ mA mW |
| Insulation Resistance at T_S , $V_{IO} = 500$ V | R_S | $\geq 10^9$ | Ω |

*Refer to the front of the optocoupler section of the current catalog, under Product Safety Regulations section, (VDE 0884), for a detailed description.

Note: Isolation characteristics are guaranteed only within the safety maximum ratings which must be ensured by protective circuits in application.

Absolute Maximum Ratings

(No Derating Required up to 70°C)

| Parameter | Symbol | Min. | Max. | Units | Note |
|---|---|------|------|-------|------|
| Storage Temperature | T _S | -55 | 125 | °C | |
| Operating Temperature | T _A | -40 | 85 | °C | 1 |
| Average Forward Input Current | I _{F(AVG)} | | 10 | mA | |
| Peak Transient Input Current (≤ 1 μs Pulse Width, 300 pps) | I _{F(TRAN)} | | 1.0 | A | |
| Reverse Input Voltage | V _R | | 5 | V | |
| Average Output Current | I _O | | 25 | mA | |
| Supply Voltage | V _{CC} | 0 | 20 | V | |
| Three State Enable Voltage | V _E | -0.5 | 20 | V | |
| Output Voltage | V _O | -0.5 | 20 | V | |
| Total Package Power Dissipation | P _T | | 210 | mW | 1 |
| Lead Solder Temperature | 260°C for 10 sec., 1.6 mm below seating plane | | | | |
| Solder Reflow Temperature Profile | See Package Outline Drawings section | | | | |

Recommended Operating Conditions

| Parameter | Symbol | Min. | Max. | Units |
|-----------------------|---------------------|------|-------------------|-----------|
| Power Supply Voltage | V _{CC} | 4.5 | 20 | V |
| Enable Voltage High | V _{EH} | 2.0 | 20 | V |
| Enable Voltage Low | V _{EL} | 0 | 0.8 | V |
| Forward Input Current | I _{F(ON)} | 1.6* | 5 | mA |
| Forward Input Current | I _{F(OFF)} | – | 0.1 | mA |
| Operating Temperature | T _A | 0 | 85 ^[1] | °C |
| Fan Out | N | | 4 | TTL Loads |

*The initial switching threshold is 1.6 mA or less. It is recommended that 2.2 mA be used to permit at least a 20% CTR degradation guardband.

Electrical Specifications

For $0^{\circ}\text{C} \leq T_A^{[1]} \leq 85^{\circ}\text{C}$, $4.5\text{ V} \leq V_{CC} \leq 20\text{ V}$, $1.6\text{ mA} \leq I_{F(\text{ON})} \leq 5\text{ mA}$, $2.0\text{ V} \leq V_{EH} \leq 20\text{ V}$, $0.0\text{ V} \leq V_{EL} \leq 0.8\text{ V}$, $0\text{ mA} \leq I_{F(\text{OFF})} \leq 0.1\text{ mA}$. All Typical at $T_A = 25^{\circ}\text{C}$, $V_{CC} = 5\text{ V}$, $I_{F(\text{ON})} = 3\text{ mA}$ unless otherwise specified. See Note 7.

| Parameter | Sym. | Min. | Typ. | Max. | Units | Test Conditions | Fig. | Note |
|---|---------------------------------|------|------|-------|------------------------|--|---|------|
| Logic Low Output Voltage | V_{OL} | | | 0.5 | V | $I_{OL} = 6.4\text{ mA}$ (4 TTL Loads) | 1 | |
| Logic High Output Voltage | V_{OH} | 2.4 | * | | V | $I_{OH} = -2.6\text{ mA}$ * $V_{OH} = V_{CC} - 2.1\text{ V}$ | 2 | |
| Output Leakage Current ($V_{OUT} > V_{CC}$) | I_{OHH} | | | 100 | μA | $V_O = 5.5\text{ V}$ | $I_F = 5\text{ mA}$ $V_{CC} = 4.5\text{ V}$ | |
| | | | | 500 | μA | $V_O = 20\text{ V}$ | | |
| Logic High Enable Voltage | V_{EH} | 2.0 | | | V | | | |
| Logic Low Enable Voltage | V_{EL} | | | 0.8 | V | | | |
| Logic High Enable Current | I_{EH} | | | 20 | μA | $V_{EN} = 2.7\text{ V}$ | | |
| | | | | 100 | μA | $V_{EN} = 5.5\text{ V}$ | | |
| | | | | 0.004 | 250 | μA | | |
| Logic Low Enable Current | I_{EL} | | | -0.32 | mA | $V_{EN} = 0.4\text{ V}$ | | |
| Logic Low Supply Current | I_{CCL} | | 4.5 | 6.0 | mA | $V_{CC} = 5.5\text{ V}$ | $I_F = 0\text{ mA}$ $I_O = \text{Open}$ $V_E = \text{Don't Care}$ | |
| | | | 5.25 | 7.5 | mA | $V_{CC} = 20\text{ V}$ | | |
| Logic High Supply Current | I_{CCH} | | 2.7 | 4.5 | mA | $V_{CC} = 5.5\text{ V}$ | $I_F = 5\text{ mA}$ $I_O = \text{Open}$ $V_E = \text{Don't Care}$ | |
| | | | 3.1 | 6.0 | mA | $V_{CC} = 20\text{ V}$ | | |
| High Impedance State Output Current | I_{OZL} | | | -20 | μA | $V_O = 0.4\text{ V}$ | $V_{EN} = 2\text{ V}$, $I_F = 5\text{ mA}$ | |
| | | | | 20 | μA | $V_O = 2.4\text{ V}$ | | |
| | | | | 100 | μA | $V_O = 5.5\text{ V}$ | | |
| | | | | 500 | μA | $V_O = 20\text{ V}$ | | |
| Logic Low Short Circuit Output Current | I_{OSL} | 25 | | | mA | $V_O = V_{CC} = 5.5\text{ V}$ | $I_F = 0\text{ mA}$ | 2 |
| | | 40 | | | mA | $V_O = V_{CC} = 20\text{ V}$ | | |
| Logic High Short Circuit Output Current | I_{OSH} | -10 | | | mA | $V_{CC} = 5.5\text{ V}$ | $I_F = 5\text{ mA}$, $V_O = \text{GND}$ | 2 |
| | | -25 | | | mA | $V_{CC} = 20\text{ V}$ | | |
| Input Current Hysteresis | I_{HYS} | | 0.12 | | mA | $V_{CC} = 5\text{ V}$ | 3 | |
| Input Forward Voltage | V_F | | 1.5 | 1.7 | V | $T_A = 25^{\circ}\text{C}$ | $I_F = 5\text{ mA}$ | 4 |
| | | | | 1.75 | | | | |
| Input Reverse Breakdown Voltage | BV_R | 5 | | | V | $I_R = 10\text{ }\mu\text{A}$ | | |
| Input Diode Temperature Coefficient | $\frac{\Delta V_F}{\Delta T_A}$ | | -1.7 | | mV/ $^{\circ}\text{C}$ | $I_F = 5\text{ mA}$ | | |
| Input Capacitance | C_{IN} | | 60 | | pF | $f = 1\text{ MHz}$, $V_F = 0\text{ V}$, Pins 2 and 3 | | |

Switching Specifications (AC)

For $0^{\circ}\text{C} \leq T_A^{[1]} \leq 85^{\circ}\text{C}$, $4.5\text{ V} \leq V_{CC} \leq 20\text{ V}$, $1.6\text{ mA} \leq I_{F(\text{ON})} \leq 5\text{ mA}$, $0.0\text{ mA} \leq I_{F(\text{OFF})} \leq 0.1\text{ mA}$.
All Typical at $T_A = 25^{\circ}\text{C}$, $V_{CC} = 5\text{ V}$, $I_{F(\text{ON})} = 3\text{ mA}$ unless otherwise specified.

| Parameter | Sym. | Min. | Typ. | Max. | Units | Test Conditions | Fig. | Note |
|---|------------------|------|------|------|-------|---------------------------|-------|------|
| Propagation Delay Time to Logic Low Output Level | t_{PHL} | | 210 | | ns | Without Peaking Capacitor | 5, 6 | 4, 5 |
| | | | 160 | 300 | | With Peaking Capacitor | | |
| Propagation Delay Time to Logic High Output Level | t_{PLH} | | 170 | | ns | Without Peaking Capacitor | 5, 6 | 4, 5 |
| | | | 115 | 300 | | With Peaking Capacitor | | |
| Output Enable Time to Logic High | t_{PZH} | | 25 | | ns | | 7, 9 | |
| Output Enable Time to Logic Low | t_{PZL} | | 28 | | ns | | 7, 8 | |
| Output Disable Time from Logic High | t_{PHZ} | | 105 | | ns | | 7, 9 | |
| Output Disable Time from Logic Low | t_{PLZ} | | 60 | | ns | | 7, 8 | |
| Output Rise Time (10-90%) | t_r | | 55 | | ns | | 5, 10 | |
| Output Fall Time (90-10%) | t_f | | 15 | | ns | | 5, 10 | |

| Parameter | Sym. | Device | Min. | Units | Test Conditions | | Fig. | Note |
|---|----------|-----------|-------|------------------|---------------------------|--|------|------|
| Logic High Common Mode Transient Immunity | $ CM_H $ | HCPL-2200 | 1,000 | V/ μs | $ V_{CM} = 50\text{ V}$ | $I_F = 1.6\text{ mA}$ $V_{CC} = 5\text{ V}$ $T_A = 25^{\circ}\text{C}$ | 11 | 6 |
| | | HCPL-2219 | 2,500 | V/ μs | $ V_{CM} = 400\text{ V}$ | | | |
| Logic Low Common Mode Transient Immunity | $ CM_L $ | HCPL-2200 | 1,000 | V/ μs | $ V_{CM} = 50\text{ V}$ | $V_F = 0\text{ V}$ $V_{CC} = 5\text{ V}$ $T_A = 25^{\circ}\text{C}$ | 11 | 6 |
| | | HCPL-2219 | 2,500 | V/ μs | $ V_{CM} = 400\text{ V}$ | | | |

Package Characteristics

| Parameter | Sym. | Min. | Typ. | Max. | Units | Test Conditions | Fig. | Note |
|---|------------------|------|-----------|------|----------|--|------|------|
| Input-Output Momentary Withstand Voltage* | V_{ISO} | 2500 | | | V rms | $RH \leq 50\%$, $t = 1\text{ min.}$, $T_A = 25^{\circ}\text{C}$ | | 3, 8 |
| Input-Output Resistance | $R_{\text{I-O}}$ | | 10^{12} | | Ω | $V_{\text{I-O}} = 500\text{ VDC}$ | | 3 |
| Input-Output Capacitance | $C_{\text{I-O}}$ | | 0.6 | | pF | $f = 1\text{ MHz}$, $V_{\text{I-O}} = 0\text{ VDC}$ | | 3 |

*The Input-Output Momentary Withstand Voltage is a dielectric voltage rating that should not be interpreted as an input-output continuous voltage rating. For the continuous voltage rating refer to the VDE 0884 Insulation Characteristics Table (if applicable), your equipment level safety specification or HP Application Note 1074 entitled "Optocoupler Input-Output Endurance Voltage," publication number 5963-2203E.

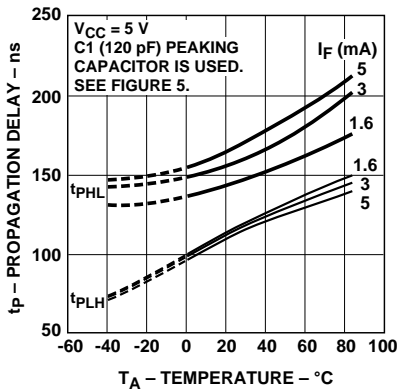


Figure 6. Typical Propagation Delays vs. Temperature.

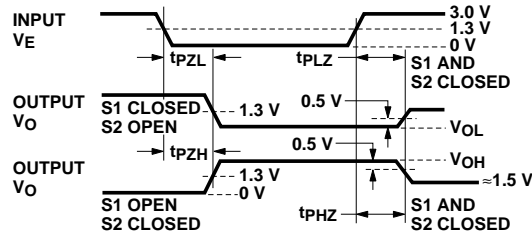
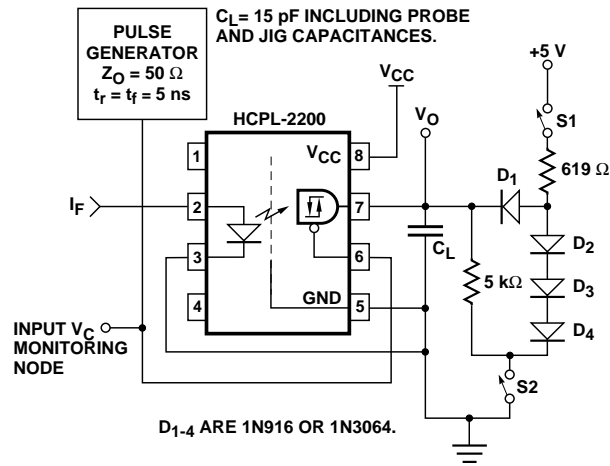


Figure 7. Test Circuit for t_{pHZ} , t_{pZH} , t_{pLZ} , and t_{pZL} .

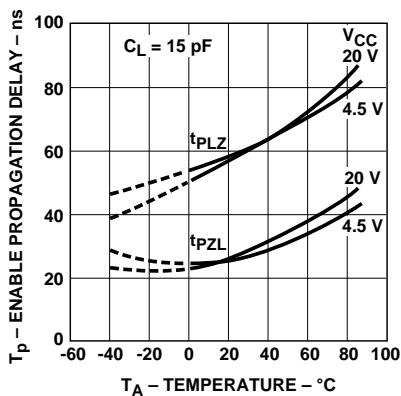


Figure 8. Typical Logic Low Enable Propagation Delay vs. Temperature.

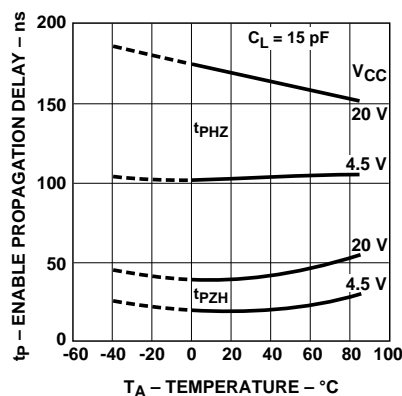


Figure 9. Typical Logic High Enable Propagation Delay vs. Temperature.

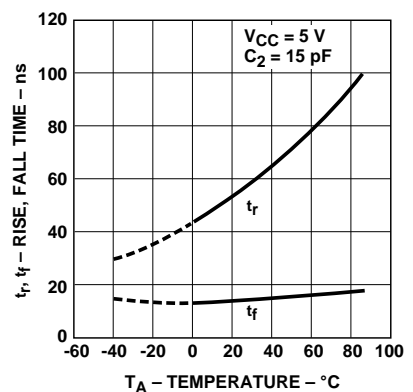


Figure 10. Typical Rise, Fall Time vs. Temperature.

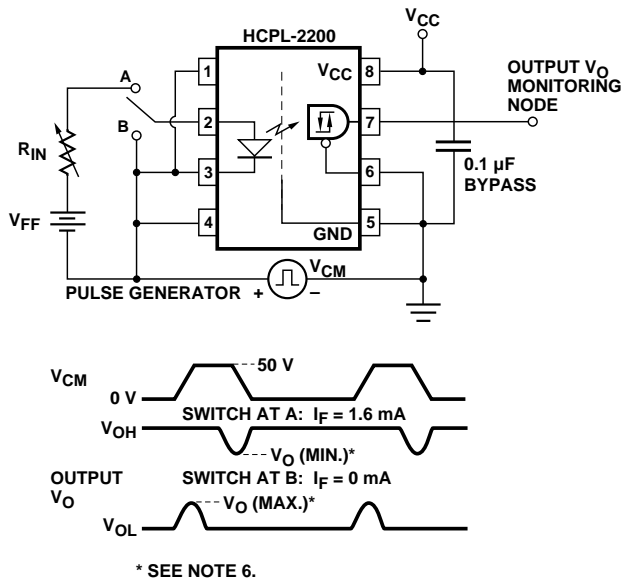


Figure 11. Test Circuit for Common Mode Transient Immunity and Typical Waveforms.

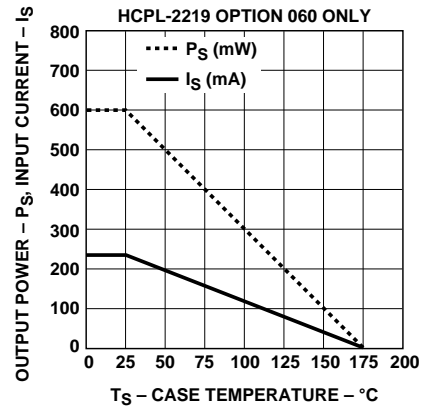


Figure 12. Thermal Derating Curve, Dependence of Safety Limiting Value with Case Temperature per VDE 0884.

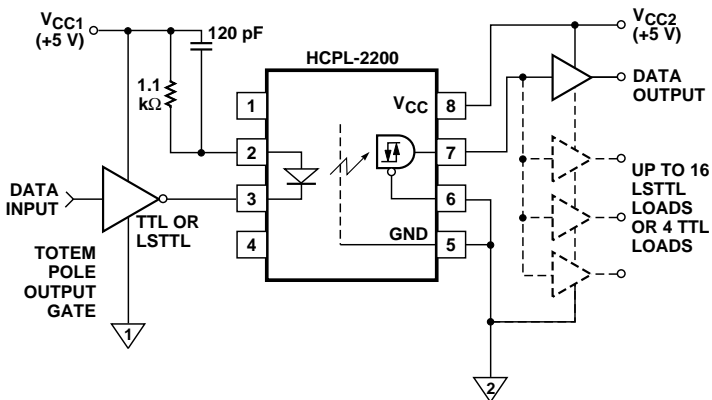


Figure 13. Recommended LSTTL to LSTTL Circuit.

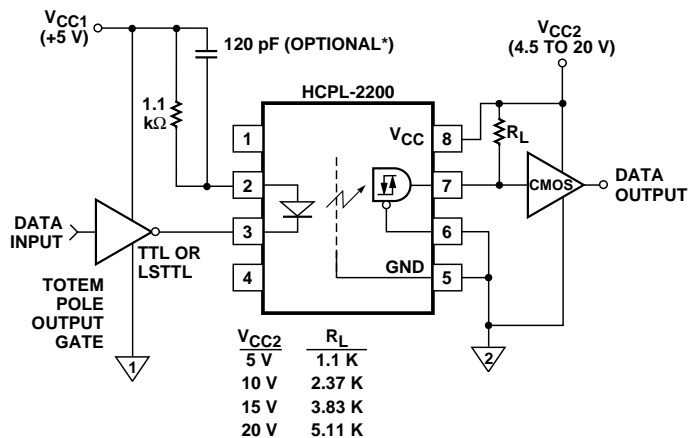


Figure 14. LSTTL to CMOS Interface Circuit.

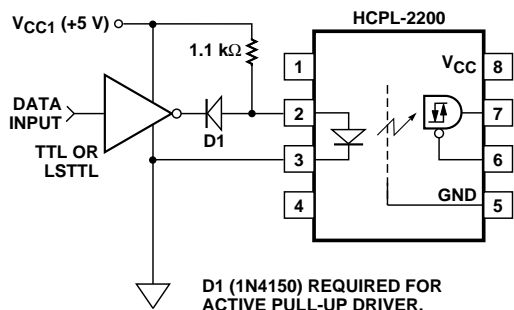


Figure 15. Recommended LED Drive Circuit.

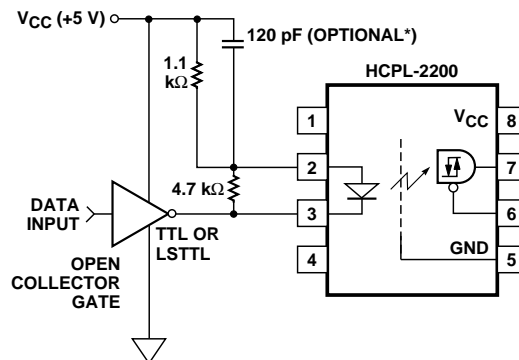


Figure 16. Series LED Drive with Open Collector Gate (4.7 kΩ Resistor Shunts I_{OH} from the LED).

*The 120 pF capacitor may be omitted in applications where 500 ns propagation delay is sufficient.



LittleDiode supplies new, hard to find or obsolete electronic components and semiconductors all over the world.

With over two million different components listed you are sure to find the part you need.

Feel free to visit us today at our online store:

LittleDiode.com

Looking forward to providing you with the best possible service.