

DATA SHEET

For a complete data sheet, please also download:

- The IC04 LOCMOS HE4000B Logic Family Specifications HEF, HEC
- The IC04 LOCMOS HE4000B Logic Package Outlines/Information HEF, HEC

HEF4040B

MSI

12-stage binary counter

Product specification
File under Integrated Circuits, IC04

January 1995

12-stage binary counter

HEF4040B MSI

DESCRIPTION

The HEF4040B is a 12-stage binary ripple counter with a clock input (\overline{CP}), an overriding asynchronous master reset input (MR) and twelve fully buffered outputs (O_0 to O_{11}). The counter advances on the HIGH to LOW transition of \overline{CP} . A HIGH on MR clears all counter stages and forces all outputs LOW, independent of \overline{CP} . Each counter stage is a static toggle flip-flop. Schmitt-trigger action in the clock input makes the circuit highly tolerant to slower clock rise and fall times.

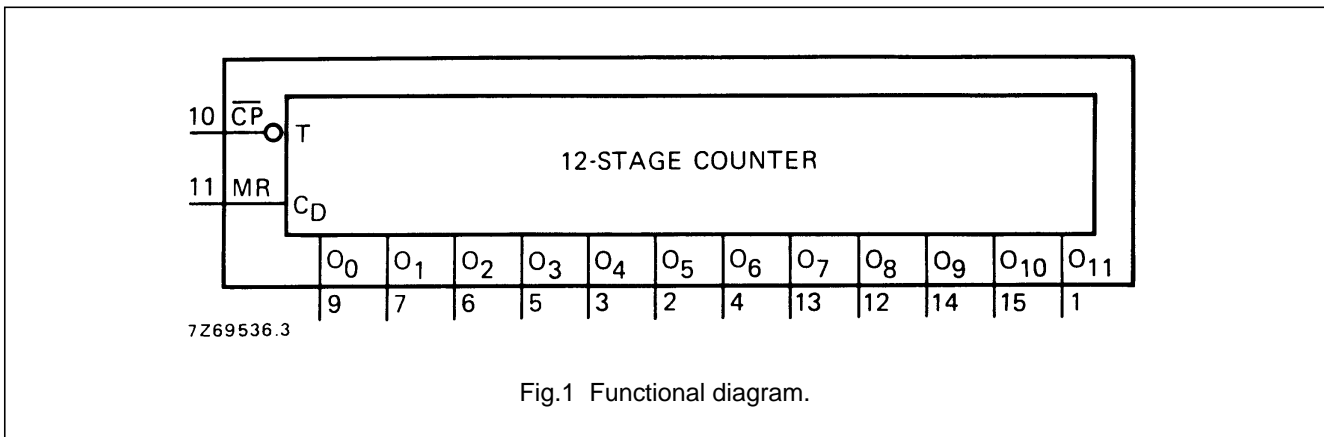


Fig.1 Functional diagram.

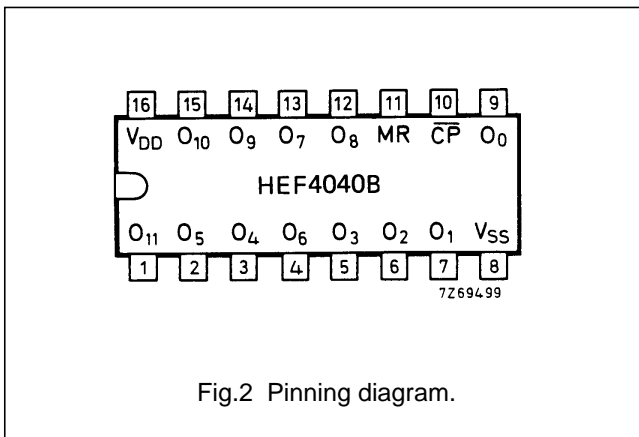


Fig.2 Pinning diagram.

PINNING

- \overline{CP} clock input (HIGH to LOW edge-triggered)
- MR master reset input (active HIGH)
- O_0 to O_{11} parallel outputs

APPLICATION INFORMATION

Some examples of applications for the HEF4040B are:

- Frequency dividing circuits
- Time delay circuits
- Control counters

FAMILY DATA, I_{DD} LIMITS category MSI

See Family Specifications

- HEF4040BP(N): 16-lead DIL; plastic (SOT38-1)
 - HEF4040BD(F): 16-lead DIL; ceramic (cerdip) (SOT74)
 - HEF4040BT(D): 16-lead SO; plastic (SOT109-1)
- (): Package Designator North America

12-stage binary counter

HEF4040B
MSI

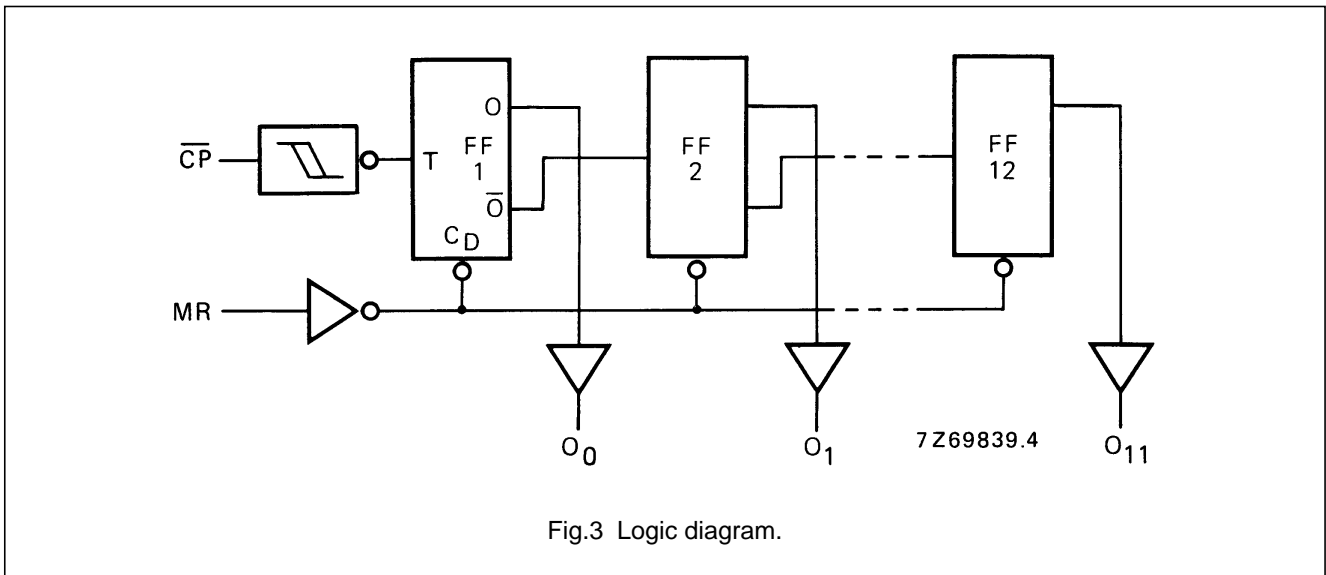


Fig.3 Logic diagram.

AC CHARACTERISTICS

V_{SS} = 0 V; T_{amb} = 25 °C; C_L = 50 pF; input transition times ≤ 20 ns

	V _{DD} V	SYMBOL	MIN.	TYP.	MAX.	TYPICAL EXTRAPOLATION FORMULA	
Propagation delays CP̄ → O ₀ HIGH to LOW	5	t _{PHL}	105	210	ns	78 ns + (0,55 ns/pF) C _L	
	10		45	90	ns	34 ns + (0,23 ns/pF) C _L	
	15		35	70	ns	27 ns + (0,16 ns/pF) C _L	
	LOW to HIGH	5	t _{PLH}	85	170	ns	58 ns + (0,55 ns/pF) C _L
		10		40	80	ns	29 ns + (0,23 ns/pF) C _L
		15		30	60	ns	22 ns + (0,16 ns/pF) C _L
O _n → O _{n+1} HIGH to LOW	5	t _{PHL}	35	70	ns	note 1 (0,55 ns/pF) C _L	
	10		15	30	ns	note 1 (0,23 ns/pF) C _L	
	15		10	20	ns	note 1 (0,16 ns/pF) C _L	
	LOW to HIGH	5	t _{PLH}	35	70	ns	note 1 (0,55 ns/pF) C _L
		10		15	30	ns	note 1 (0,23 ns/pF) C _L
		15		10	20	ns	note 1 (0,16 ns/pF) C _L
MR → O _n HIGH to LOW	5	t _{PHL}	90	180	ns	63 ns + (0,55 ns/pF) C _L	
	10		40	80	ns	29 ns + (0,23 ns/pF) C _L	
	15		30	60	ns	22 ns + (0,16 ns/pF) C _L	
Output transition times HIGH to LOW	5	t _{THL}	60	120	ns	10 ns + (1,0 ns/pF) C _L	
	10		30	60	ns	9 ns + (0,42 ns/pF) C _L	
	15		20	40	ns	6 ns + (0,28 ns/pF) C _L	
	LOW to HIGH	5	t _{TLH}	60	120	ns	10 ns + (1,0 ns/pF) C _L
		10		30	60	ns	9 ns + (0,42 ns/pF) C _L
		15		20	40	ns	6 ns + (0,28 ns/pF) C _L

12-stage binary counter

HEF4040B
MSI

	V _{DD} V	SYMBOL	MIN.	TYP.	MAX.	TYPICAL EXTRAPOLATION FORMULA
Minimum clock pulse width; HIGH	5	t _{WCPH}	50	25	ns	see also waveforms Fig.4
	10		30	15	ns	
	15		20	10	ns	
Minimum MR pulse width; HIGH	5	t _{WMRH}	40	20	ns	
	10		30	15	ns	
	15		20	10	ns	
Recovery time for MR	5	t _{RMR}	40	20	ns	
	10		30	15	ns	
	15		20	10	ns	
Maximum clock pulse frequency	5	f _{max}	10	20	MHz	
	10		15	30	MHz	
	15		25	50	MHz	

Note

1. For other loads than 50 pF at the nth output, use the slope given.

	V _{DD} V	TYPICAL FORMULA FOR P (μW)	
Dynamic power dissipation per package (P)	5	$400 f_i + \sum (f_o C_L) \times V_{DD}^2$	where f _i = input freq. (MHz) f _o = output freq. (MHz) C _L = load cap. (pF) ∑ (f _o C _L) = sum of outputs V _{DD} = supply voltage (V)
	10	$2\ 000 f_i + \sum (f_o C_L) \times V_{DD}^2$	
	15	$5\ 200 f_i + \sum (f_o C_L) \times V_{DD}^2$	

12-stage binary counter

HEF4040B
MSI

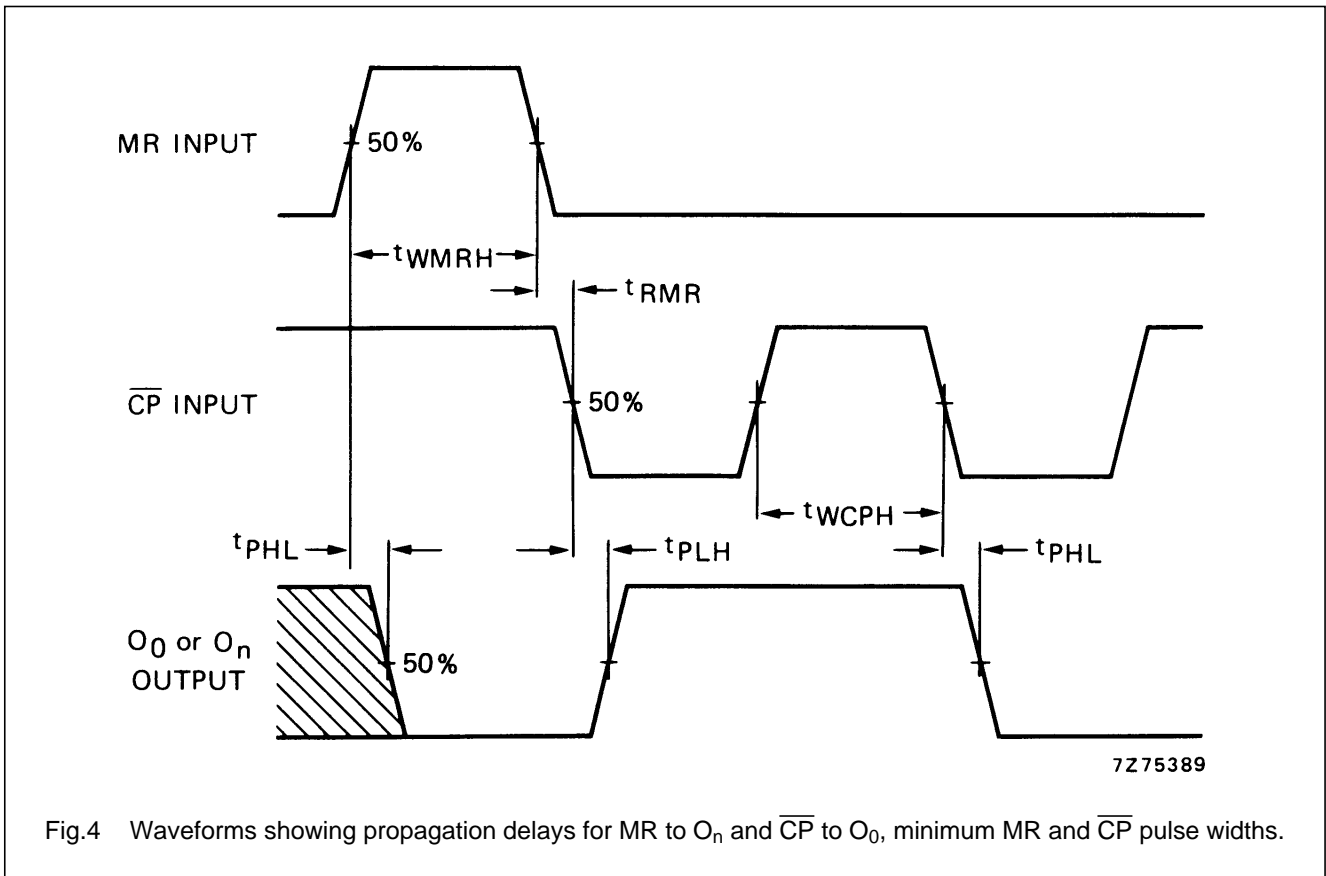


Fig.4 Waveforms showing propagation delays for MR to O_n and CP to O₀, minimum MR and CP pulse widths.



LittleDiode supplies new, hard to find or obsolete electronic components and semiconductors all over the world.

With over two million different components listed you are sure to find the part you need.

Feel free to visit us today at our online store:

LittleDiode.com

Looking forward to providing you with the best possible service.