

NPN SILICON RF POWER TRANSISTOR

DESCRIPTION:

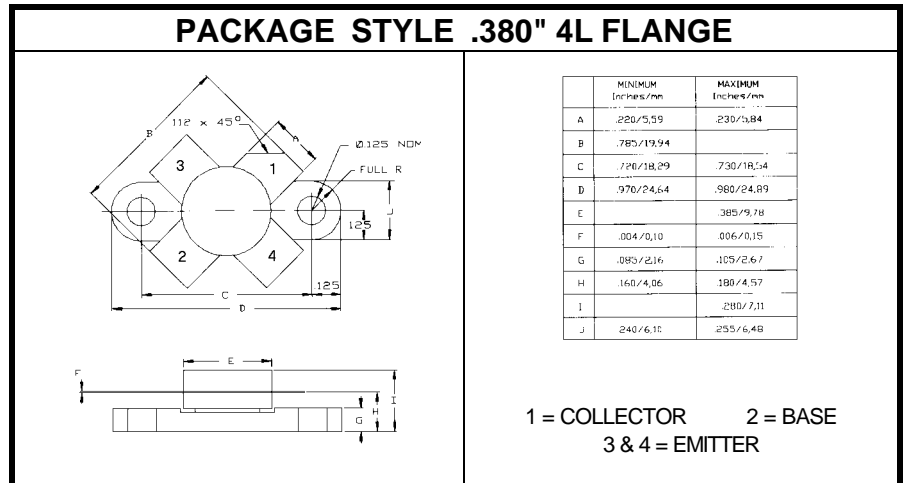
The **HF20-12F** is Designed for 12.5 V
Class AB & C HF Power Amplifier
Applications in the 2 to 32 MHz Band.

FEATURES INCLUDE:

- Replacement for **MRF433 & SD1285**
- $P_G = 18$ dB Typical at 30MHz & 20W
- Withstands **20:1 Load VSWR**

MAXIMUM RATINGS

I_C	4.5 A
V_{CB}	36 V
V_{CE}	18 V
V_{EB}	4.0 V
P_{DISS}	80 W @ $T_C = 25^\circ C$
T_J	$-65^\circ C$ to $+200^\circ C$
T_{STG}	$-65^\circ C$ to $+150^\circ C$
q_{JC}	2.2 $^\circ C/W$


CHARACTERISTICS $T_C = 25^\circ C$

SYMBOL	TEST CONDITIONS	MINIMUM	TYPICAL	MAXIMUM	UNITS
BV_{CBO}	$I_C = 50$ mA	36			V
BV_{CES}	$I_C = 50$ mA	36			V
BV_{CEO}	$I_C = 50$ mA	18			V
BV_{EBO}	$I_E = 5.0$ mA	4.0			V
I_{CES}	$V_{CE} = 15$ V			5	mA
h_{FE}	$V_{CE} = 5.0$ V $I_C = 1.0$ A	10		200	
C_{OB}	$V_{CB} = 12.5$ V $f = 1.0$ MHz		100		pF
G_{PE}	$V_{CC} = 12.5$ V $I_{CQ} = 25$ mA $P_{OUT} = 20$ W (PEP)	15	18		dB
IMD_3	$f = 30.000$ & 30.001 MHz	-30			dBc
h_c			55		%



LittleDiode supplies new, hard to find or obsolete electronic components and semiconductors all over the world.

With over two million different components listed you are sure to find the part you need.

Feel free to visit us today at our online store:

LittleDiode.com

Looking forward to providing you with the best possible service.