



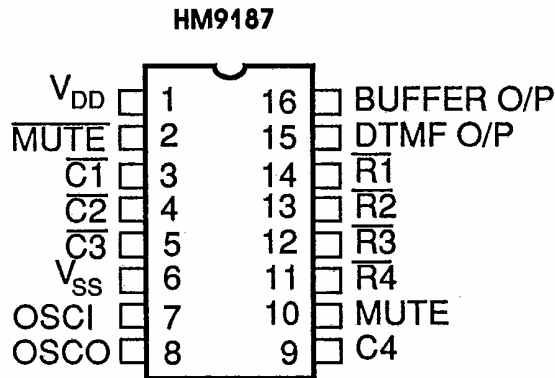
HM9187

PHONE DIALER

Features

- Low output tone distortion: 7%.
- Wide operating supply voltage range: 2.0 to 5.5V
- Oscillator bias resistor on-chip.
- Can be powered directly from telephone line or from small batteries.
- Use 3.579545MHz crystal.
- Mute drivers on-chip.
- On-chip generation of reference voltage to assure amplitude stability.
- Interfaces directly to a standard telephone push-button or calculator type XY keyboard.

Pin Assignment



Keyboard Scheme

COL1	COL2	COL3	COL4	
1	2	3	A	ROW1
4	5	6	B	ROW2
7	8	9	C	ROW3
*	0	#	D	ROW4

This datasheet has been downloaded from:

www.DatasheetCatalog.com

Datasheets for electronic components.



LittleDiode supplies new, hard to find or obsolete electronic components and semiconductors all over the world.

With over two million different components listed you are sure to find the part you need.

Feel free to visit us today at our online store:

LittleDiode.com

Looking forward to providing you with the best possible service.