

## Multiple RS-232 Drivers and Receivers

### Features

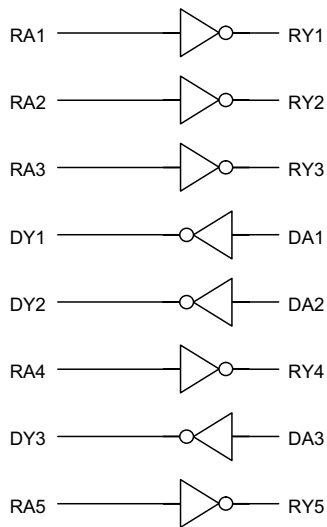
- Single-chip with easy interface between UART and serial port connector
- Three drivers and five receivers meet or exceed the requirements of EIA/TIA-232-D
- Designed to support data rates up to 120 Kbit/s
- Driver current-limited output: 25mA typ.
- Flexible supply voltage range
- ESD protection exceeds 5kV
- 20-pin SOP package

### General Description

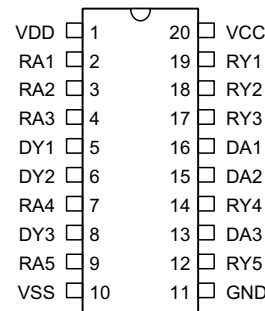
The HT6571 is a CMOS device containing three RS-232 line drivers, and five RS-232 line receivers that are used

to interface data terminal equipment (DTE) with data circuit-terminating equipment (DCE).

### Block Diagram



### Pin Assignment



**HT6571**  
**- 20 SOP-A**

### Absolute Maximum Ratings

Supply Voltage (VSS VDD).....	-15V~15V	Supply Voltage (GND VCC).....	-0.3V~5.5V
Input Voltage Driver .....	0V~7V	Receiver .....	-15V~15V
Output Voltage Driver .....	-15V~15V	Receiver .....	0V~7V

Note: These are stress ratings only. Stresses exceeding the range specified under "Absolute Maximum Ratings" may cause substantial damage to the device. Functional operation of this device at other conditions beyond those listed in the specification is not implied and prolonged exposure to extreme conditions may affect device reliability.

**Electrical Characteristics**

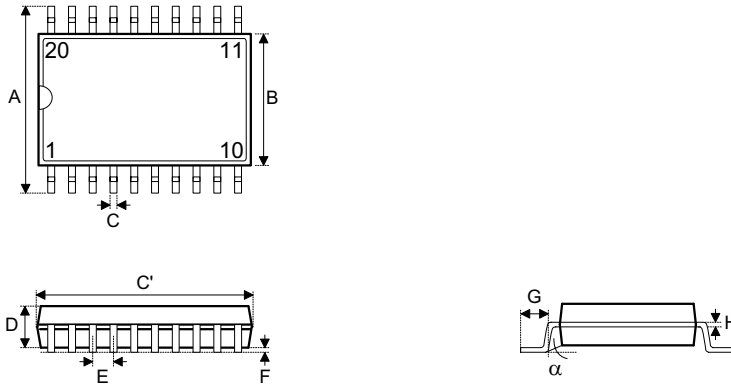
Symbol	Parameter	Test Conditions			Min.	Typ.	Max.	Unit
		V <sub>DD</sub>	V <sub>CC</sub>	Conditions				
V <sub>DD</sub>	Operation Voltage	—	—	—	7.5	9	15	V
V <sub>SS</sub>	Operation Voltage	—	—	—	-7.5	-9	-15	V
V <sub>CC</sub>	Operation Voltage	—	—	—	4.5	5	5.5	V
V <sub>IH1</sub>	Driver Input High	12V	5V	—	2	—	—	V
V <sub>IL1</sub>	Driver Input Low	12V	5V	—	—	—	0.8	V
V <sub>IH2</sub>	Receiver Input High	12V	5V	—	3	—	—	V
V <sub>IL2</sub>	Receiver Input Low	12V	5V	—	—	—	0	V
I <sub>OH1</sub>	Receiver Output Source Current	12V	5V	V <sub>O</sub> =2.4V	-1	-2	-3	mA
I <sub>OL1</sub>	Receiver Output Sink Current	12V	5V	V <sub>O</sub> =0.4V	+1	+2	+3	mA
I <sub>OS(H)</sub>	High-level Driver Short Current	12V	5V	V <sub>O</sub> =0V	-15	-25	-35	mA
I <sub>OS(L)</sub>	Low-level Driver Short Current	12V	5V	V <sub>O</sub> =0V	15	25	35	mA
S <sub>R1</sub>	Slew Rate	12V	5V	R <sub>L</sub> =7kΩ, C <sub>1</sub> =330pF	—	—	30	V/μs





**Package Information**

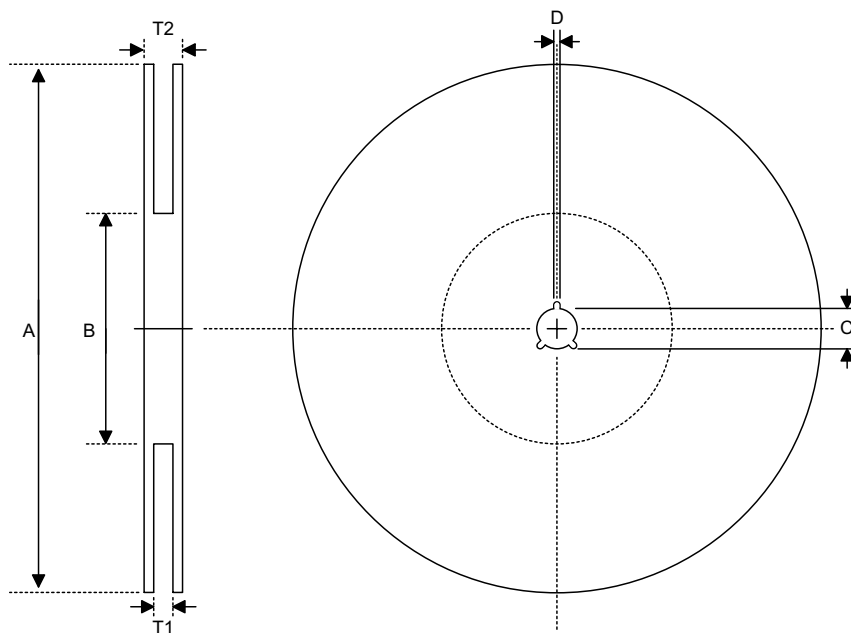
20-pin SOP (300mil) outline dimensions



Symbol	Dimensions in mil		
	Min.	Nom.	Max.
A	394	—	419
B	290	—	300
C	14	—	20
C'	490	—	510
D	92	—	104
E	—	50	—
F	4	—	—
G	32	—	38
H	4	—	12
$\alpha$	0°	—	10°

**Product Tape and Reel Specifications**

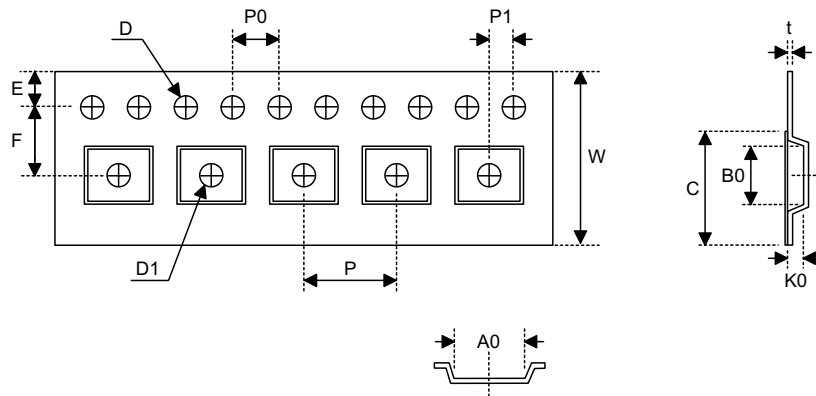
**Reel dimensions**



SOP 20W

Symbol	Description	Dimensions in mm
A	Reel Outer Diameter	330±1.0
B	Reel Inner Diameter	62±1.5
C	Spindle Hole Diameter	13.0+0.5 -0.2
D	Key Slit Width	2.0±0.5
T1	Space Between Flange	24.8+0.3 -0.2
T2	Reel Thickness	30.2±0.2

Carrier tape dimensions



SOP 20W

Symbol	Description	Dimensions in mm
W	Carrier Tape Width	24.0+0.3 -0.1
P	Cavity Pitch	12.0±0.1
E	Perforation Position	1.75±0.1
F	Cavity to Perforation (Width Direction)	11.5±0.1
D	Perforation Diameter	1.5+0.1
D1	Cavity Hole Diameter	1.5+0.25
P0	Perforation Pitch	4.0±0.1
P1	Cavity to Perforation (Length Direction)	2.0±0.1
A0	Cavity Length	10.8±0.1
B0	Cavity Width	13.3±0.1
K0	Cavity Depth	3.2±0.1
t	Carrier Tape Thickness	0.3±0.05
C	Cover Tape Width	21.3

**Holtek Semiconductor Inc. (Headquarters)**

No.3, Creation Rd. II, Science-based Industrial Park, Hsinchu, Taiwan  
Tel: 886-3-563-1999  
Fax: 886-3-563-1189  
<http://www.holtek.com.tw>

**Holtek Semiconductor Inc. (Sales Office)**

11F, No.576, Sec.7 Chung Hsiao E. Rd., Taipei, Taiwan  
Tel: 886-2-2782-9635  
Fax: 886-2-2782-9636  
Fax: 886-2-2782-7128 (International sales hotline)

**Holtek Semiconductor (Shanghai) Inc.**

7th Floor, Building 2, No.889, Yi Shan Rd., Shanghai, China  
Tel: 021-6485-5560  
Fax: 021-6485-0313  
<http://www.holtek.com.cn>

**Holtek Semiconductor (Hong Kong) Ltd.**

RM.711, Tower 2, Cheung Sha Wan Plaza, 833 Cheung Sha Wan Rd., Kowloon, Hong Kong  
Tel: 852-2-745-8288  
Fax: 852-2-742-8657

**Holmate Semiconductor, Inc.**

48531 Warm Springs Boulevard, Suite 413, Fremont, CA 94539  
Tel: 510-252-9880  
Fax: 510-252-9885  
<http://www.holmate.com>

Copyright © 2002 by HOLTEK SEMICONDUCTOR INC.

The information appearing in this Data Sheet is believed to be accurate at the time of publication. However, Holtek assumes no responsibility arising from the use of the specifications described. The applications mentioned herein are used solely for the purpose of illustration and Holtek makes no warranty or representation that such applications will be suitable without further modification, nor recommends the use of its products for application that may present a risk to human life due to malfunction or otherwise. Holtek reserves the right to alter its products without prior notification. For the most up-to-date information, please visit our web site at <http://www.holtek.com.tw>.

This datasheet has been downloaded from:

[www.DatasheetCatalog.com](http://www.DatasheetCatalog.com)

Datasheets for electronic components.



LittleDiode supplies new, hard to find or obsolete electronic components and semiconductors all over the world.

With over two million different components listed you are sure to find the part you need.

Feel free to visit us today at our online store:

[LittleDiode.com](http://LittleDiode.com)

Looking forward to providing you with the best possible service.