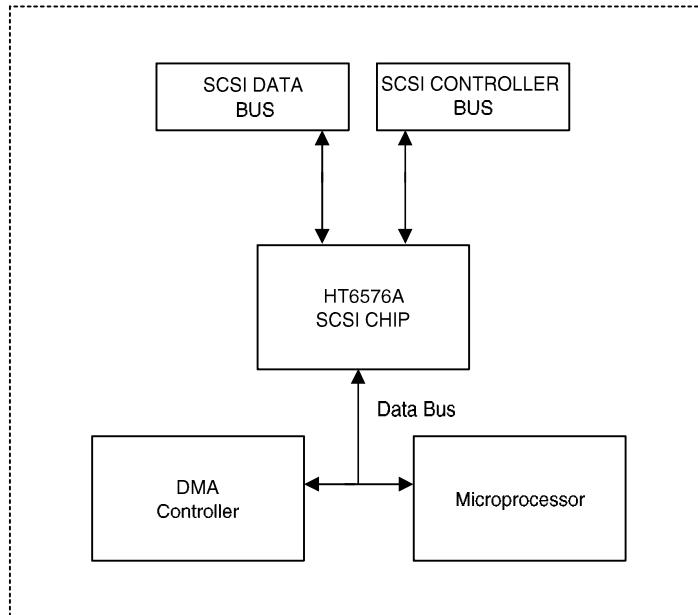


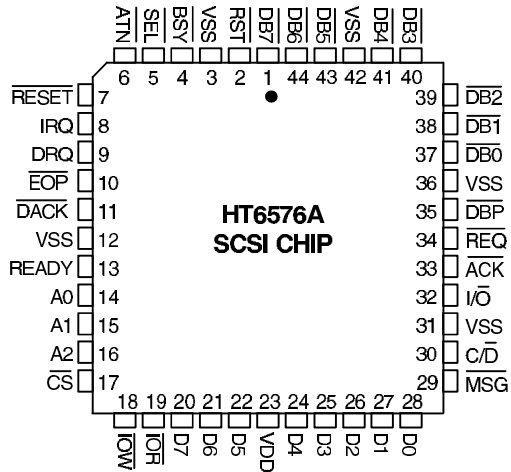
Features

- Support the ANSI X3.131-1986 standard
- Asynchronous transfer rate to 5 Mbyte/sec
- Support initiator and target mode
- 0.8um CMOS process
- On chip 48mA single-ended drivers and receivers
- Non internal clock needed
- 44pins PLCC package

Block Diagram



Pin Diagram



Pin Description

Host Interface Signal

Pin No	Pin Name	I/O	Description
14~16	A0~A2	I	Address Lines
17	\overline{CS}	I	Chip Select, active low
11	\overline{DACK}	I	DMA Acknowledge, active low
9	DRQ	O	DMA Request
24~28, 20~22	D0~D7	I/O	Data Lines
10	\overline{EOP}	I	End of Process, active low
19	\overline{IOR}	I	I/O Read, active low
18	\overline{IOW}	I	I/O Write, active low
8	IRQ	O	Interrupt Request
13	READY	O	Ready
7	\overline{RESET}	I	Reset, active low

SCSI Interface Signals

Pin No	Pin Name	I/O	Description
33	$\overline{\text{ACK}}$	I/O	Acknowledge, active low
6	$\overline{\text{ATN}}$	I/O	Attention, active low
4	$\overline{\text{BSY}}$	I/O	Busy, active low
30	$\overline{\text{C/D}}$	I/O	Control/Data, active low
32	$\overline{\text{I/O}}$	I/O	Input/Output, active low
29	$\overline{\text{MSG}}$	I/O	Message, active low
34	$\overline{\text{REQ}}$	I/O	Request, active low
2	$\overline{\text{RST}}$	I/O	Reset, active low
37~41, 43, 44, 1	$\overline{\text{DB0}}\text{--}\overline{\text{DB7}}$	I/O	SCSI Data Bus, active low
35	$\overline{\text{DBP}}$	I/O	SCSI Parity Bit, active low
5	$\overline{\text{SEL}}$	I/O	Select, active low

VSS

3, 12, 31, 36, 42

VDD

23

Registers
Address 0

Current SCSI data register(READ ONLY)

DB7	DB6	DB5	DB4	DB3	DB2	DB1	DB0
-----	-----	-----	-----	-----	-----	-----	-----

The SCSI bus parity is checked at the beginning of the read cycle.

Output data register(WRITE ONLY)

DB7	DB6	DB5	DB4	DB3	DB2	DB1	DB0
-----	-----	-----	-----	-----	-----	-----	-----

Address 1: Initiator command register

WRITE

7	6	5	4	3	2	1	0
ASSERT $\overline{\text{RST}}$	TRI-STATE	RESERVED	ASSERT $\overline{\text{ACK}}$	ASSERT $\overline{\text{BSY}}$	ASSERT $\overline{\text{SEL}}$	ASSERT $\overline{\text{ATN}}$	ASSERT DATA

- BIT 7: ASSERT $\overline{\text{RST}}$
WHEN SET, THE $\overline{\text{RST}}$ SIGNAL IS ASSERTED ON THE SCSI BUS
- BIT 6: TRI-STATE (TEST MODE)
- BIT 5: RESERVED (0)
- BIT 4: ASSERT $\overline{\text{ACK}}$
WHEN SET, THE $\overline{\text{ACK}}$ SIGNAL IS ASSERTED ON THE SCSI BUS
- BIT 3: ASSERT $\overline{\text{BSY}}$
WHEN SET, THE $\overline{\text{BSY}}$ SIGNAL IS ASSERTED ON THE SCSI BUS
- BIT 2: ASSERT $\overline{\text{SEL}}$
WHEN SET, THE $\overline{\text{SEL}}$ SIGNAL IS ASSERTED ON THE SCSI BUS
- BIT 1: ASSERT $\overline{\text{ATN}}$
WHEN SET, THE $\overline{\text{ATN}}$ SIGNAL IS ASSERTED ON THE SCSI BUS
- BIT 0: ASSERT DATA
WHEN SET, This bit allows the contents of the output data register to be enabled as chip outputs on SCSI signal $\overline{\text{DB0}}\text{--}\overline{\text{DB7}}$

READ

7	6	5	4	3	2	1	0
RET	ARBIT PROGRESS	LOST ARBIT	ACK	BSY	SEL	ATN	ASSERT DATA

Address 2: Mode register

READ/WRITE

7	6	5	4	3	2	1	0
LOCK DMA	TARGET MODE	ENABLE PARITY	ENABLE PARITY	ENABLE EOP	MONITOR CHECK BUSY	DMA IRQ MODE	ARBIT

- BIT 7: BLOCK MODE DMA
- BIT 6: TARGET MODE
When set, the chip operates as an SCSI bus target device.
- BIT 5: ENABLE PARITY CHECKING
When set, data received on the SCSI data bus is checked for odd parity.

- **BIT 4: ENABLE PARITY INTERRUPT**
When set, this bit causes the IRQ signal to be asserted if a parity error is detected.
- **BIT 3: ENABLE EOP INTERRUPT**
When set, this bit causes the IRQ signal to be asserted if \overline{EOP} is received from the DMA controller.
- **BIT 2: MONITOR BUSY**
When set, this bit causes the IRQ signal to be asserted when \overline{BSY} changes to the inactive state for at least a bus settle delay.
- **BIT 1: DMA MODE**
- **BIT 0: Arbitrate**
When set, this bit starts the arbitration process.

Address 3: Target command register

	7	6	5	4	3	2	1	0
	LAST BYTE	X	X	X	ASSERT \overline{REQ}	ASSERT \overline{MSG}	ASSERT $\overline{C/D}$	ASSERT $\overline{I/O}$
R					R/W	R/W	R/W	R/W

- **BIT 7: LAST BYTE SEND (READ ONLY)**
- **BIT 3: ASSERT \overline{REQ}**
WHEN SET, THE \overline{REQ} SIGNAL IS ASSERTED ON THE SCSI BUS (IN TARGET MODE)
- **BIT 2: ASSERT \overline{MSG}**
WHEN SET, THE \overline{MSG} SIGNAL IS ASSERTED ON THE SCSI BUS (IN TARGET MODE)
- **BIT 1: ASSERT $\overline{C/D}$**
WHEN SET, THE $\overline{C/D}$ SIGNAL IS ASSERTED ON THE SCSI BUS (IN TARGET MODE)
- **BIT 0: ASSERT $\overline{I/O}$**
WHEN SET, THE $\overline{I/O}$ SIGNAL IS ASSERTED ON THE SCSI BUS (IN TARGET MODE)

Address 4: Current SCSI Bus Register

READ

	7	6	5	4	3	2	1	0
	RST	BSY	REQ	MSG	$\overline{C/D}$	$\overline{I/O}$	SEL	DBP

WRITE -SELECT ENABLE REGISTER

	7	6	5	4	3	2	1	0
	SID7	SID6	SID5	SID4	SID3	SID2	SID1	SID0

Address 5: Bus And Status

READ

7	6	5	4	3	2	1	0
END DMA	DMA REQUEST	PARITY ERROR	IRQ	PHASE MATCH	BUS ERROR	ATN	ACK

WRITE -START DMA SEND

7	6	5	4	3	2	1	0
X	X	X	X	X	X	X	X

Address 6: Input Data

READ

7	6	5	4	3	2	1	0
LDB7	LDB6	LDB5	LDB4	LDB3	LDB2	LDB1	LDB0

LATCH SCSI DATA. The register represent the complement of the active low SCSI data bus.

WRITE -START DMA TARGET RECEIVE

7	6	5	4	3	2	1	0
X	X	X	X	X	X	X	X

Address 7:

READ -RESET PARITY/INTERRUPT

7	6	5	4	3	2	1	0
X	X	X	X	X	X	X	X

WRITE -START DMA INITIATOR RECEIVE

7	6	5	4	3	2	1	0
X	X	X	X	X	X	X	X

Interrupts**SELECTION/RESELECTION**

- $\overline{\text{SEL}}$ = ACTIVE LOW
- $\overline{\text{BSY}}$ IS FALSE FOR AT LEAST 400NS
- HT6576A DEVICE ID (SELECT REGISTER) is active on the SCSI bus will generate IRQ.

END OF PROCESS (EOP) INTERRUPT

- $\overline{\text{EOP}}$ = ACTIVE LOW
- $\overline{\text{DACK}}$ = ACTIVE LOW
- $\overline{\text{IOR}}$ OR $\overline{\text{IOW}}$ = ACTIVE LOW
- DMA MODE
- ENABLE EOP IRQ \Rightarrow GENERATE EOP IRQ

SCSI BUS $\overline{\text{RST}}$ /IRQ

When An SCSI $\overline{\text{RST}}$ active low, the IRQ is generated.

PARITY ERROR IRQ

An IRQ is generated for a received parity error if enable parity checking bit and the enable parity interrupt bit are set.

BUS PHASE MISMATCH IRQ

If the DMA MODE bit is active and a phase mismatch occurs when $\overline{\text{REQ}}$ from false to true, an interrupt is generated

LOSS OF BSY/IRQ

- MONITOR $\overline{\text{BSY}}$ bit = 1
- $\overline{\text{BSY}}$ = ACTIVE LOW FOR 400ns WILL GENERATE IRQ

Electrical Characteristics
D.C. Characteristics

 Absolute Maximum Ratings (Ta=25°C)

Symbol	Parameter	Min.	Max.	Unit
Tstg	Storage Temperature	-55	150	°C
V _{DD}	Supply Voltage	-0.5	7.0	V
V _{IN}	Input Voltage	V _{SS} -0.5	V _{DD} +0.5	V
ESD	Electrostatic Discharge	-5000	5000	V

 Operating Conditions (Ta=25°C)

Symbol	Parameter	Min.	Max.	Unit
V _{DD}	Supply Voltage	4.75	5.25	V
I _{DD}	Supply Current	—	20	mA
Ta	Operating Free-Air	0	70	°C

 SCSI Signals (Ta=25°C)

Symbol	Characteristic	Condition	Min.	Max.	Unit
V _{IH}	Input High Voltage	—	2.0	V _{DD} +0.5	V
V _{IL}	Input Low Voltage	—	V _{SS} -0.5	0.8	V
V _{OL}	Output Low Voltage	I _{OL} =48mA	V _{SS}	0.5	V
V _{HYS}	Hysteresis	—	200	450	mV
I _{OL}	Output Low Current	V _{OL} =0.5	48	—	mA
I _{IH}	Input High Leakage	V _{IH} = 5.25V	—	50	μA
I _{IL}	Input Low Leakage	V _{IL} =V _{SS}	—	-50	μA

Microprocessor Data Bus D0-D7

(Ta=25°C)

Symbol	Characteristic	Condition	Min.	Max.	Unit
V _{IH}	Input High Voltage	—	2.0	V _{DD} +0.5	V
V _{IL}	Input Low Voltage	—	V _{SS} -0.5	0.8	V
V _{OH}	Output High Voltage	I _{OH} =-4.0mA	2.4	V _{DD}	V
V _{OL}	Output Low Voltage	I _{OL} =8.0mA	V _{SS}	0.4	V
I _{OH}	Output High Current	V _{OH} =V _{DD} -0.5V	-4.0	—	mA
I _{OL}	Output Low Current	V _{OL} =0.4V	8.0	—	mA
I _{IH}	Input High Leakage	V _{IH} =5.25V	—	10	μA
I _{IL}	Input Low Leakage	V _{IL} =V _{SS}	—	-10	μA
I _{TL}	Tri-State Leakage	—	-10	10	μA

 A0~A2, $\overline{\text{CS}}$, $\overline{\text{EOP}}$, $\overline{\text{IOR}}$, $\overline{\text{IOW}}$, $\overline{\text{RESET}}$

(Ta=25°C)

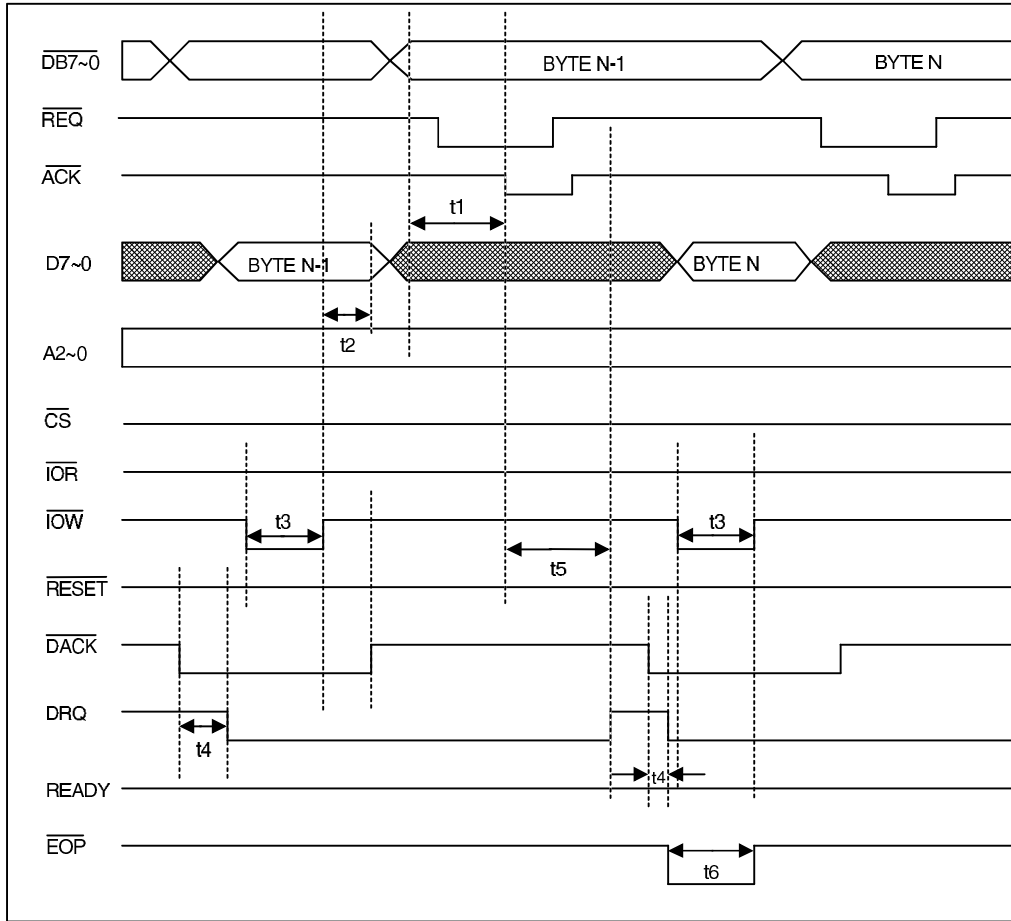
Symbol	Characteristic	Condition	Min.	Max.	Unit
V _{IH}	Input High Voltage	—	2.0	V _{DD} +0.5	V
V _{IL}	Input Low Voltage	—	V _{SS} -0.5	0.8	V
I _{IH}	Input High Leakage	V _{IH} =5.25V	10	—	μA
I _{IL}	Input Low Leakage	V _{IL} =V _{SS}	-10	—	μA

DRQ, IRQ, READY,

Symbol	Characteristic	Condition	Min.	Max.	Unit
V _{OH}	Output High Voltage	I _{OH} =-4.0mA	2.4	V _{DD}	V
V _{OL}	Output Low Voltage	I _{OL} =8.0mA	V _{SS}	0.4	V
I _{OH}	Output High Current	V _{OH} =V _{DD} -0.5V	-4.0	—	mA
I _{OL}	Output Low Current	V _{OL} =0.4V	8.0	—	mA

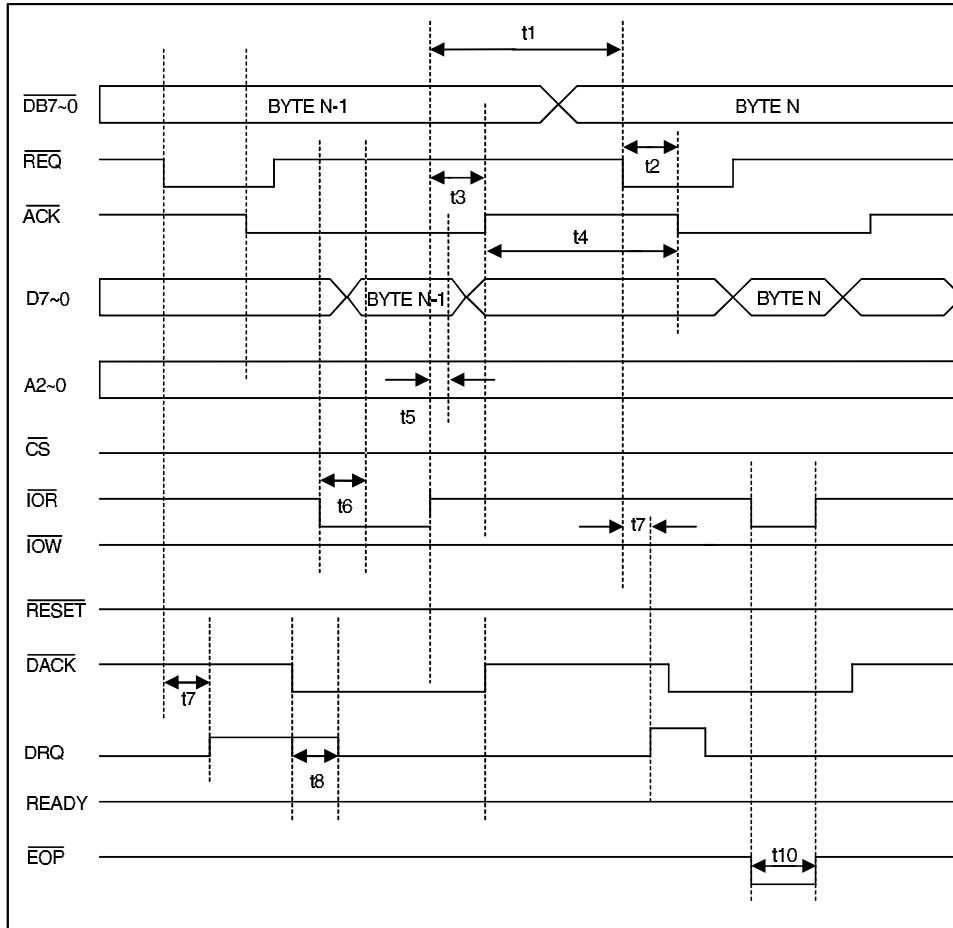
Timing Diagram

Initiator Send



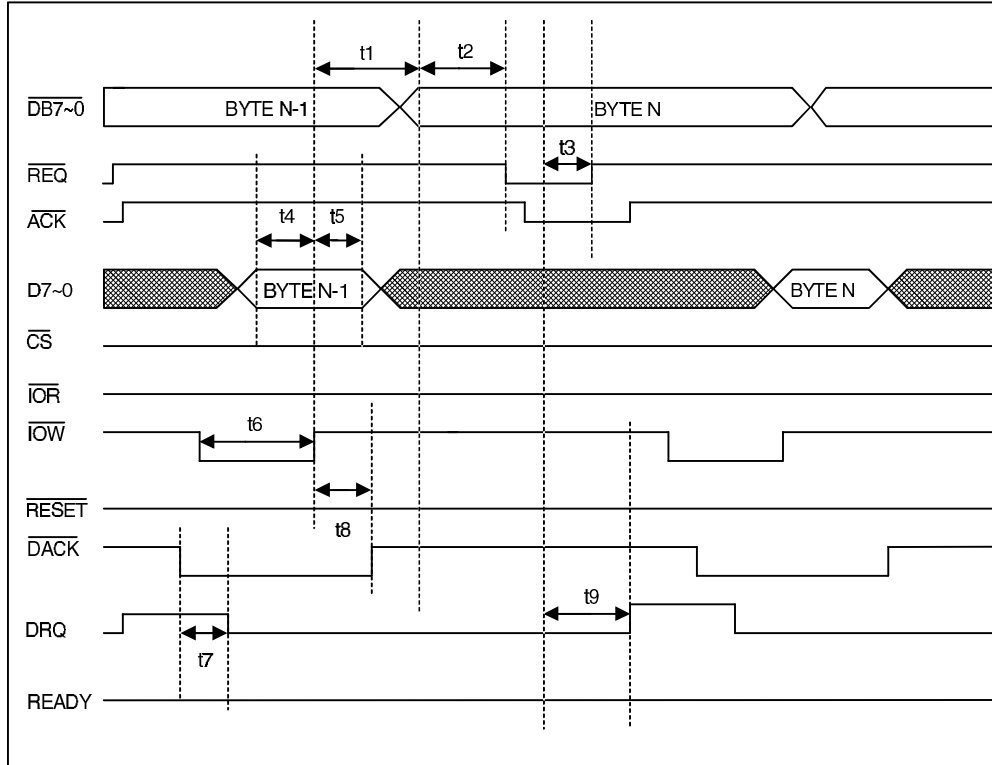
Name	Description	Min.	Max.	Unit
t1	SCSI Data setup time to $\overline{\text{ACK}}$ active	40	—	ns
t2	Data Bus held time from $\overline{\text{IOW}}$ inactive	10	—	ns
t3	$\overline{\text{IOW}}$ active time	30	—	ns
t4	$\overline{\text{DACK}}$ active, to DRQ inactive	—	20	ns
t5	$\overline{\text{ACK}}$ active to next DRQ active	—	45	ns
t6	$\overline{\text{EOP}}$ active time	30	—	ns

Initiator Receive



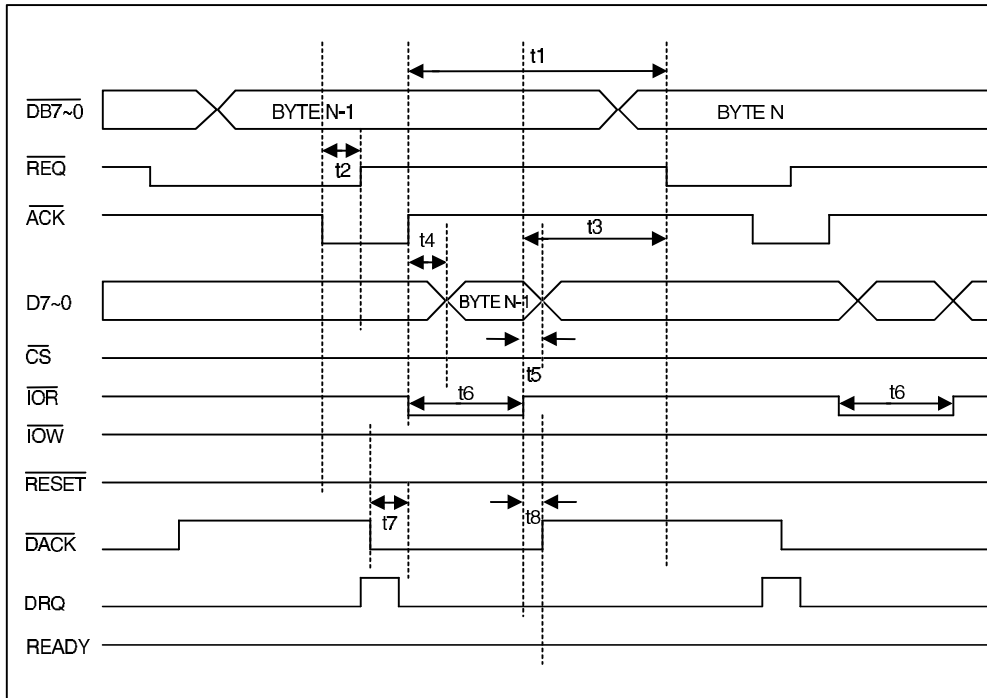
Name	Description	Min.	Max.	Unit
t1	\overline{IOR} inactive to next \overline{REQ} active	50	—	ns
t2	\overline{REQ} active to \overline{ACK} active	50	—	ns
t3	\overline{IOR} inactive to \overline{ACK} inactive	10	—	ns
t4	\overline{ACK} inactive time	50	—	ns
t5	Data Bus hold time from \overline{IOR} inactive	10	—	ns
t6	Data Bus valid time from \overline{IOR} active	—	20	ns
t7	\overline{REQ} active to \overline{DACK} active	—	25	ns
t8	\overline{DACK} active to \overline{DRQ} inactive	—	20	ns
t9	\overline{DACK} inactive to next \overline{DRQ} active	20	—	ns
t10	\overline{EOP} active time	30	—	ns

Target Send (Non-block mode)



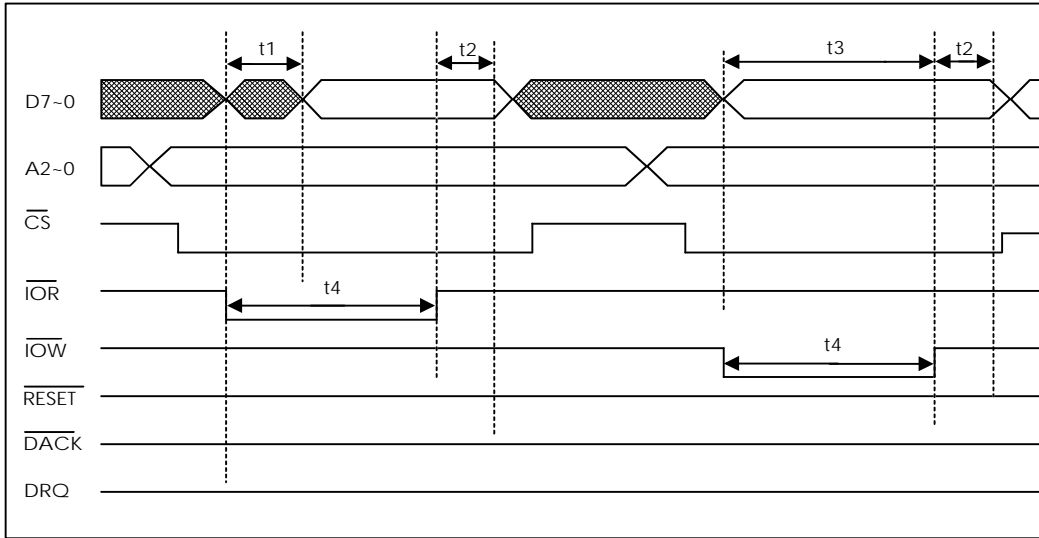
Name	Description	Min.	Max.	Unit
t1	SCSI data hold time from \overline{IOW} inactive	—	30	ns
t2	SCSI data setup time to \overline{REQ} active	40	—	ns
t3	\overline{ACK} active to \overline{REQ} inactive	—	30	ns
t4	Data Bus setup time to \overline{IOW} inactive	10	—	ns
t5	Data Bus hold time from \overline{IOW} inactive	10	—	ns
t6	\overline{IOW} active time	30	—	ns
t7	\overline{DACK} active to DRQ inactive	—	20	ns
t8	\overline{IOW} inactive to \overline{DACK} inactive	0	—	ns
t9	\overline{ACK} active to next DRQ active	—	45	ns

Target Receive (Non-block mode)



Name	Description	Min.	Max.	Unit
t1	$\overline{\text{ACK}}$ inactive to next $\overline{\text{REQ}}$ active	50	—	ns
t2	$\overline{\text{ACK}}$ active to $\overline{\text{REQ}}$ inactive	—	30	ns
t3	$\overline{\text{IOR}}$ inactive to next $\overline{\text{REQ}}$ active	50	—	ns
t4	Data Bus setup time to $\overline{\text{IOR}}$ active	—	20	ns
t5	Data Bus hold time from $\overline{\text{IOR}}$ inactive	10	—	ns
t6	$\overline{\text{IOR}}$ active time	30	—	ns
t7	$\overline{\text{DACK}}$ active to $\overline{\text{DRQ}}$ inactive	—	20	ns
t8	$\overline{\text{IOR}}$ inactive to $\overline{\text{DACK}}$ inactive	0	—	ns

PIO Timing



Name	Description	Min.	Max.	Unit
t1	Data valid time from \overline{IOR} active	—	20	ns
t2	Data hold time from \overline{IOR} inactive	10	—	ns
t3	Data setup time to \overline{IOW} inactive	10	—	ns
t4	\overline{IOR} or \overline{IOW} active time	30	—	ns

This datasheet has been downloaded from:

www.DatasheetCatalog.com

Datasheets for electronic components.



LittleDiode supplies new, hard to find or obsolete electronic components and semiconductors all over the world.

With over two million different components listed you are sure to find the part you need.

Feel free to visit us today at our online store:

LittleDiode.com

Looking forward to providing you with the best possible service.