



HIGH SPEED 128K (8K X 16 BIT) SEQUENTIAL ACCESS RANDOM ACCESS MEMORY (SARAM™)

IDT70825S/L

Features

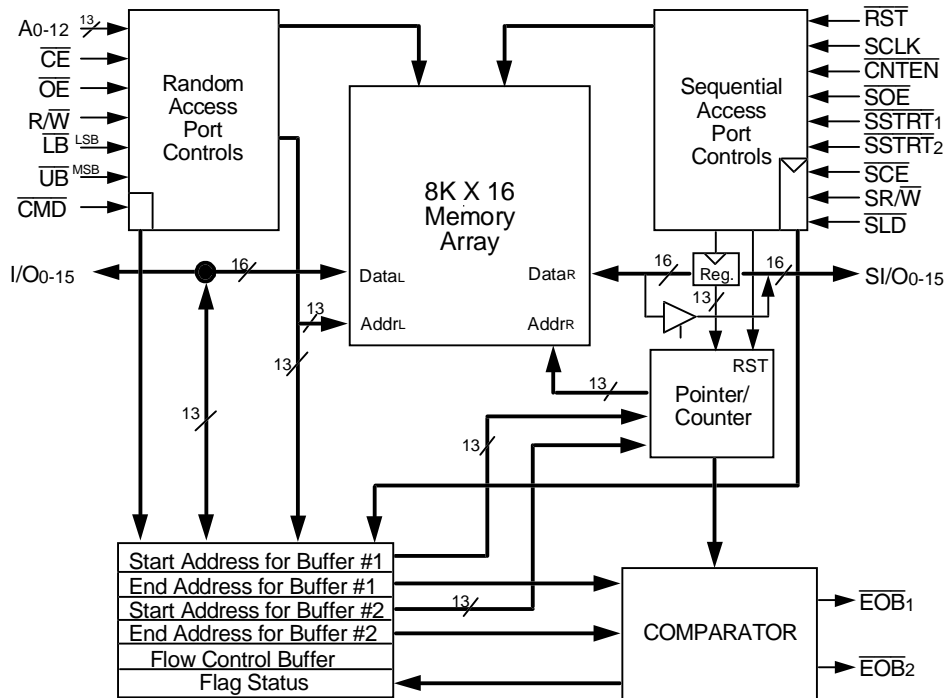
- ◆ High-speed access
 - Military: 35/45ns (max.)
 - Commercial: 20/25/35/45ns (max.)
- ◆ Low-power operation
 - IDT70825S
 - Active: 775mW (typ.)
 - Standby: 5mW (typ.)
 - IDT70825L
 - Active: 775mW (typ.)
 - Standby: 1mW (typ.)
- ◆ 8K x 16 Sequential Access Random Access Memory (SARAM™)
 - Sequential Access from one port and standard Random Access from the other port
 - Separate upper-byte and lower-byte control of the Random Access Port
- ◆ High speed operation
 - 20ns tAA for random access port
 - 20ns tCD for sequential port
 - 25ns clock cycle time

- ◆ Architecture based on Dual-Port RAM cells
- ◆ Compatible with Intel BMIC and 82430 PCI Set
- ◆ Width and Depth Expandable
- ◆ Sequential side
 - Address based flags for buffer control
 - Pointer logic supports up to two internal buffers
- ◆ Battery backup operation - 2V data retention
- ◆ TTL-compatible, single 5V (±10%) power supply
- ◆ Available in 80-pin TQFP and 84-pin PGA
- ◆ Military product compliant to MIL-PRF-38535 QML
- ◆ Industrial temperature range (-40°C to +85°C) is available for selected speeds

Description

The IDT70825 is a high-speed 8K x 16-Bit Sequential Access Random Access Memory (SARAM). The SARAM offers a single-chip solution to buffer data sequentially on one port, and be accessed randomly (asynchronously) through the other port. The device has a

Functional Block Diagram



3016 drw 01

APRIL 2000

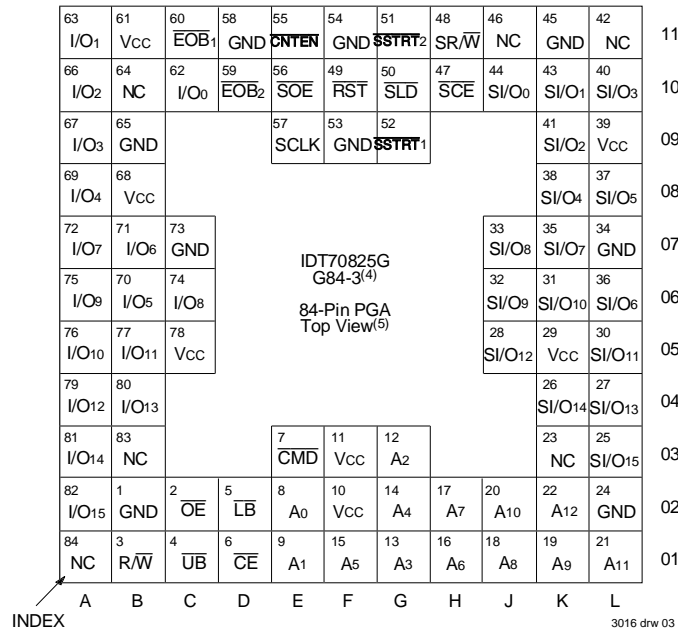
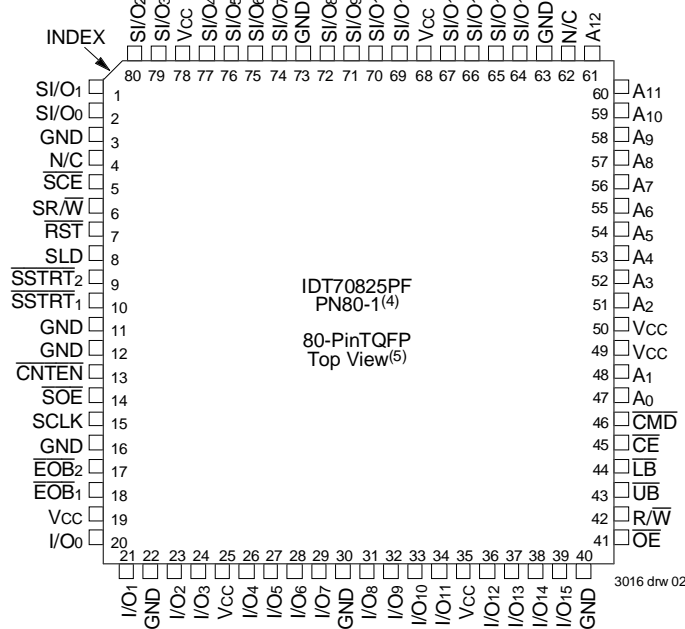
Dual-Port RAM based architecture with a standard SRAM interface for the random (asynchronous) access port, and a clocked interface with counter sequencing for the sequential (synchronous) access port.

Fabricated using CMOS high-performance technology, this memory device typically operates on less than 775mW of power at maximum high-speed clock-to-data and Random Access. An automatic power down feature, controlled by \overline{CE} , permits the on-chip circuitry of each

port to enter a very low standby power mode.

The IDT70825 is packaged in a 80-pin Thin Quad Flatpack (TQFP) or 84-pin Pin Grid Array (PGA). Military grade product is manufactured in compliance with the latest revision of MIL-PRF-38535 QML, making it ideally suited to military temperature applications demanding the highest level of performance and reliability.

Pin Configurations^(1,2,3)



NOTES:

1. All Vcc pins must be connected to power supply.
2. All GND pins must be connected to ground supply.
3. PN-80-1 package body is approximately 14mm x 14mm x 1.4mm.
G84-3 package body is approximately 1.21 in x 1.21 in x .16 in.
4. This package code is used to reference the package diagram.
5. This text does not indicate orientation of the actual part-marking.

Pin Descriptions: Random Access Port⁽¹⁾

SYMBOL	NAME	I/O	DESCRIPTIONS
A ₀ -A ₁₂	Address Lines	I	Address inputs to access the 8192-word (16-Bit) memory array.
I/O ₀ -I/O ₁₅	Inputs/Outputs	I	Random access data inputs/outputs for 16-Bit wide data.
\overline{CE}	Chip Enable	I	When \overline{CE} is LOW, the random access port is enabled. When \overline{CE} is HIGH, the random access port is disabled into power-down mode and the I/O outputs are in the High-impedance state. All data is retained during $\overline{CE} = V_{IH}$, unless it is altered by the sequential port. \overline{CE} and \overline{CMD} may not be LOW at the same time.
\overline{CMD}	Control Register Enable	I	When \overline{CMD} is LOW, address lines A ₀ -A ₂ , R/W, and inputs/outputs I/O ₀ -I/O ₁₂ , are used to access the control register, the flag register, and the start and end of buffer registers. \overline{CMD} and \overline{CE} may not be LOW at the same time.
R/ \overline{W}	Read/Write Enable	I	If \overline{CE} is LOW and \overline{CMD} is HIGH, data is written into the array when R/ \overline{W} is LOW and read out of the array when R/ \overline{W} is HIGH. If \overline{CE} is HIGH and \overline{CMD} is LOW, R/ \overline{W} is used to access the buffer command registers. \overline{CE} and \overline{CMD} may not be LOW at the same time.
\overline{OE}	Output Enable	I	When \overline{OE} is LOW and R/ \overline{W} is HIGH, I/O ₀ -I/O ₁₅ outputs are enabled. When \overline{OE} is HIGH, the I/O outputs are in the High-impedance state.
\overline{LB} , \overline{UB}	Lower Byte, Upper Byte Enables	I	When \overline{LB} is LOW, I/O ₀ -I/O ₇ are accessible for read and write operations. When \overline{LB} is HIGH I/O ₀ -I/O ₇ are tri-stated and blocked during read and write operations. \overline{UB} controls access for I/O ₈ -I/O ₁₅ in the same manner and is asynchronous from \overline{LB} .
V _{cc}	Power Supply	I	Seven +5V power supply pins. All V _{cc} pins must be connected to the same +5V V _{cc} supply.
GND	Ground	I	Ten ground pins. All ground pins must be connected to the same ground supply.

3016 tbl 01

Pin Descriptions: Sequential Access Port⁽¹⁾

SYMBOL	NAME	I/O	DESCRIPTIONS
S/I/O ₀ -15	Inputs/Outputs	I	Sequential data inputs/outputs for 16-bit wide data.
SCLK	Clock	I	S/I/O ₀ -S/I/O ₁₅ , \overline{SCE} , SR/ \overline{W} , and \overline{SLD} are registered on the LOW-to-HIGH transition of SCLK. Also, the sequential access port address pointer increments by 1 on each LOW-to-HIGH transition of SCLK when \overline{CNTEN} is LOW.
\overline{SCE}	Chip Enable	I	When \overline{SCE} is LOW, the sequential access port is enabled on the LOW-to-HIGH transition of SCLK. When \overline{SCE} is HIGH, the sequential access port is disabled into power-down mode on the LOW-to-HIGH transition of SCLK, and the S/I/O outputs are in the High-impedance state. All data is retained, unless altered by the random access port.
\overline{CNTEN}	Control Enable	I	When \overline{CNTEN} is LOW, the address pointer increments on the LOW-to-HIGH transition of SCLK. This function is independent of \overline{CE} .
SR/ \overline{W}	Read/Write Enable	I	When SR/ \overline{W} and \overline{SCE} are LOW, a write cycle is initiated on the LOW-to-HIGH transition of SCLK. When SR/ \overline{W} is HIGH, and \overline{SCE} and \overline{SOE} are LOW, a read cycle is initiated on the LOW-to-HIGH transition of SCLK. Termination of a write cycle is done on the LOW-to-HIGH transition of SCLK if SR/ \overline{W} or \overline{SCE} is HIGH.
\overline{SLD}	Address Pointer Load Control	I	When \overline{SLD} is sampled LOW, there is an internal delay of one cycle before the address pointer changes. When \overline{SLD} is LOW, data on the inputs S/I/O ₀ -S/I/O ₁₂ is loaded into a data-in register on the LOW-to-HIGH transition of SCLK. On the cycle following \overline{SLD} , the address pointer changes to the address location contained in the data-in register. SSTR ₁ and SSTR ₂ may not be LOW while \overline{SLD} is LOW or during the cycle following \overline{SLD} .
$\overline{SSTR1}$, $\overline{SSTR2}$	Load Start of Address Register	I	When $\overline{SSTR1}$ or $\overline{SSTR2}$ is LOW, the start of address register #1 or #2 is loaded into the address pointer on the LOW-to-HIGH transition of SCLK. The start address are stored in internal registers. SSTR ₁ and SSTR ₂ may not be LOW while \overline{SLD} is LOW or during the cycle following \overline{SLD} .
$\overline{EOB1}$, $\overline{EOB2}$	End of Buffer Flag	I	$\overline{EOB1}$ or $\overline{EOB2}$ is output LOW when the address pointer is incremented to match the address stored in the end of the buffer registers. The flags can be cleared by either asserting RST LOW or by writing zero into Bit 0 and/or Bit 1 of the control register at address 101. $\overline{EOB1}$ and $\overline{EOB2}$ are dependent on separate internal registers, and therefore separate match addresses.
\overline{SOE}	Output Enable	I	\overline{SOE} controls the data outputs and is independent of SCLK. When \overline{SOE} is LOW, output buffers and the sequentially addressed data is output. When \overline{SOE} is HIGH, the S/I/O output bus is in the High-impedance state. \overline{SOE} is asynchronous to SCLK.
\overline{RST}	Reset	I	When \overline{RST} is LOW, all internal registers are set to their default state, the address pointer is set to zero and the $\overline{EOB1}$ and $\overline{EOB2}$ flags are set HIGH. Rst is asynchronous to SCLK.

3016 tbl 02

NOTE:

1. "I/O" is bidirectional input and output. "I" is input and "O" is output.

Absolute Maximum Ratings⁽¹⁾

Symbol	Rating	Commercial & Industrial	Military	Unit
V _{TERM} ⁽²⁾	Terminal Voltage with Respect to GND	-0.5 to +7.0	-0.5 to +7.0	V
T _{BIAS}	Temperature Under Bias	-55 to +125	-65 to +135	°C
T _{STG}	Storage Temperature	-55 to +125	-65 to +150	°C
I _{OUT}	DC Output Current	50	50	mA

3016 tbl 03

NOTES:

- Stresses greater than those listed under ABSOLUTE MAXIMUM RATINGS may cause permanent damage to the device. This is a stress rating only and functional operation of the device at these or any other conditions above those indicated in the operational sections of this specification is not implied. Exposure to absolute maximum rating conditions for extended periods may affect reliability.
- V_{TERM} must not exceed V_{CC} + 10% for more than 25% of the cycle time or 10ns maximum, and is limited to ≤ 20mA for the period of V_{TERM} ≥ V_{CC} + 10%.

Capacitance**(T_A = +25°C, f = 1.0mhz, TQFP only)**

Symbol	Parameter	Conditions ⁽²⁾	Max.	Unit
C _{IN}	Input Capacitance	V _{IN} = 3dV	9	pF
C _{OUT}	Output Capacitance	V _{OUT} = 3dV	10	pF

3016 tbl 06

NOTES:

- This parameter is determined by device characterization, but is not production tested.
- 3dV references the interpolated capacitance when the input and output signals switch from 0V to 3V or from 3V to 0V.

Recommended Operating Temperature and Supply Voltage^(1,2)

Grade	Ambient Temperature	GND	V _{CC}
Military	-55°C to +125°C	0V	5.0V ± 10%
Commercial	0°C to +70°C	0V	5.0V ± 10%
Industrial	-40°C to +85°C	0V	5.0V ± 10%

3016 tbl 04

NOTES:

- This is the parameter T_A.
- Industrial temperature: for specific speeds, packages and powers contact your sales office.

Recommended DC Operating Conditions

Symbol	Parameter	Min.	Typ.	Max.	Unit
V _{CC}	Supply Voltage	4.5	5.0	5.5	V
GND	Ground	0	0	0	V
V _{IH}	Input High Voltage	2.2	—	6.0 ⁽²⁾	V
V _{IL}	Input Low Voltage	-0.5 ⁽¹⁾	—	0.8	V

3016 tbl 05

NOTES:

- V_{IL} ≥ -1.5V for pulse width less than 10ns.
- V_{TERM} must not exceed V_{CC} + 10%.

DC Electrical Characteristics Over the Operating Temperature and Supply Voltage Range (V_{CC} = 5.0V ± 10%)

Symbol	Parameter	Test Conditions	70825S		70825L		Unit
			Min.	Max.	Min.	Max.	
I _L	Input Leakage Current	V _{CC} = 5.5V, V _{IN} = 0V to V _{CC}	—	5	—	1	μA
I _{Lo}	Output Leakage Current	V _{OUT} = 0V to V _{CC}	—	5	—	1	μA
V _{OL}	Output Low Voltage	I _{OL} = +4mA	—	0.4	—	0.4	V
V _{OH}	Output High Voltage	I _{OH} = -4mA	2.4	—	2.4	—	V

3016 tbl 07

DC Electrical Characteristics Over the Operating Temperature and Supply Voltage Range^(1,2,8) ($V_{CC} = 5.0V \pm 10\%$)

Symbol	Parameter	Test Condition	Version	70825X20 Com'l Only		70825X25 Com'l Only		70825X35 Com'l & Military		70825X45 Com'l & Military		Unit	
				Typ.	Max.	Typ.	Max.	Typ.	Max.	Typ.	Max.		
I _{CC}	Dynamic Operating Current (Both Ports Active)	$\overline{CE} = V_{IL}$ Outputs Open $SCE = V_{IL}^{(3)}$ $f = f_{MAX}^{(3)}$	COM'L	S	180	380	170	360	160	340	155	340	mA
				L	180	330	170	310	160	290	155	290	
I _{SB1}	Standby Current (Both Ports - TTL Level Inputs)	\overline{SCE} and $\overline{CE} \geq V_{IH}^{(7)}$ CMD = V_{IH} $f = f_{MAX}^{(3)}$	COM'L	S	25	70	25	70	20	70	16	70	mA
				L	25	50	25	50	20	50	16	50	
I _{SB2}	Standby Current (One Port - TTL Level Inputs)	\overline{CE} or $\overline{SCE} = V_{IH}$ Active Port Outputs Open, $f = f_{MAX}^{(3)}$	COM'L	S	115	260	105	250	95	240	90	240	mA
				L	115	230	105	220	95	210	90	210	
I _{SB3}	Full Standby Current (Both Ports - CMOS Level Inputs)	Both Ports \overline{CE} and $\overline{SCE} \geq V_{CC} - 0.2V^{(6,7)}$ $V_{IN} \geq V_{CC} - 0.2V$ or $V_{IN} \leq 0.2V$, $f = 0^{(4)}$	COM'L	S	1.0	15	1.0	15	1.0	15	1.0	15	mA
				L	0.2	5	0.2	5	0.2	5	0.2	5	
I _{SB4}	Full Standby Current (One Port - CMOS Level Inputs)	One Port \overline{CE} or $\overline{SCE} \geq V_{CC} - 0.2V^{(6)}$ Outputs Open (Active Port) $V_{IN} \geq V_{CC} - 0.2V$ or $V_{IN} \leq 0.2V$ $f = f_{MAX}^{(3)}$	COM'L	S	110	240	100	230	90	220	85	220	mA
				L	110	200	100	190	90	180	85	180	
			MIL & IND	S	—	—	—	—	160	400	155	400	
				L	—	—	—	—	160	340	155	340	
			MIL & IND	S	—	—	—	—	20	85	16	85	
				L	—	—	—	—	20	65	16	65	
			MIL & IND	S	—	—	—	—	95	290	90	290	
				L	—	—	—	—	95	250	90	250	
			MIL & IND	S	—	—	—	—	1.0	30	1.0	30	
				L	—	—	—	—	0.2	10	0.2	10	
			MIL & IND	S	—	—	—	—	90	260	85	260	
				L	—	—	—	—	90	215	85	215	

3016 tbl 08

NOTES:

- 'X' in part number indicates power rating (S or L).
- $V_{CC} = 5V$, $T_A = +25^\circ C$; guaranteed by device characterization but not production tested.
- At $f = f_{MAX}$, address, control lines (except Output Enable), and SCLK are cycling at the maximum frequency read cycle of $1/t_{RC}$.
- $f = 0$ means no address or control lines change.
- \overline{SCE} may transition, but is LOW ($\overline{SCE} = V_{IL}$) when clocked in by SCLK.
- \overline{SCE} may be $-0.2V$, after it is clocked in, since $SCLK = V_{IH}$ must be clocked in prior to powerdown.
- If one port is enabled (either \overline{CE} or $\overline{SCE} = \text{LOW}$) then the other port is disabled (\overline{SCE} or $\overline{CE} = \text{HIGH}$, respectively). CMOS HIGH $\geq V_{CC} - 0.2V$ and LOW $\leq 0.2V$, and TTL HIGH = V_{IH} and LOW = V_{IL} .
- Industrial temperature: for other speeds, packages and powers contact your sales office.

Data Retention Characteristics Over All Temperature Ranges (L Version Only) ($V_{LC} \leq 0.2V$, $V_{HC} \geq V_{CC} - 0.2V$)

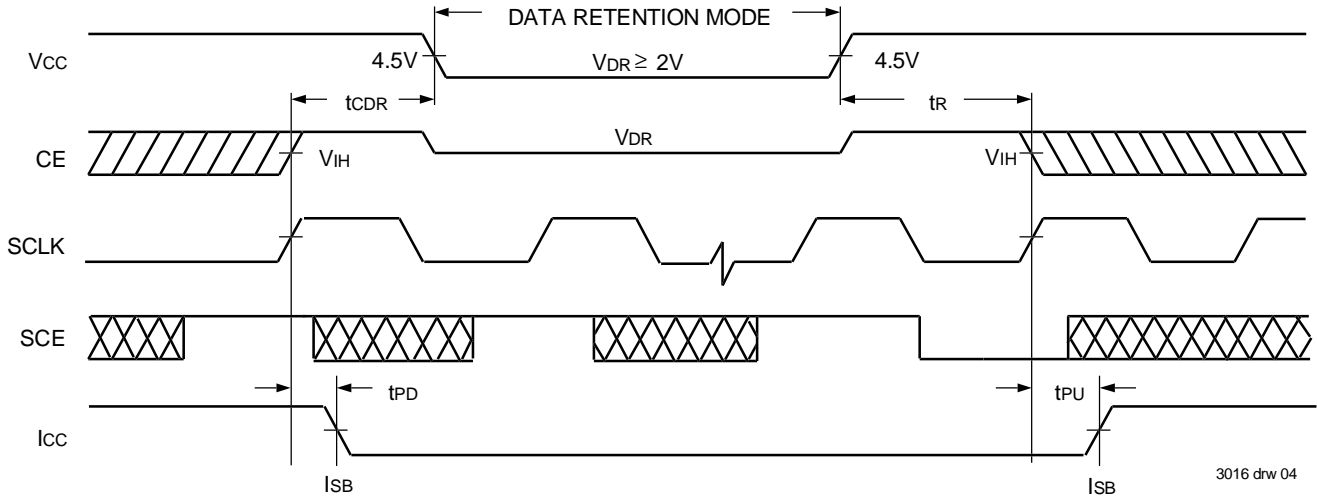
Symbol	Parameter	Test Condition	Min.	Typ. ⁽¹⁾	Max.	Unit	
V _{DR}	V _{CC} for Data Retention	$V_{CC} = 2V$	2.0	—	—	V	
I _{CCDR}	Data Retention Current	$\overline{CE} \geq V_{HC}$ $V_{IN} = V_{HC}$ or V_{LC}	MIL. & IND.	—	100	4000	μA
			COM'L.	—	100	1500	
t _{CDR} ⁽³⁾	Chip Deselect to Data Retention Time	$\overline{SCE} = V_{HC}^{(4)}$ when SCLK = \uparrow	—	—	—	V	
t _R ⁽³⁾	Operation Recovery Time	$\overline{CMD} = V_{HC}$	t _{RC} ⁽²⁾	—	—	V	

3016 tbl 09

NOTES:

- $T_A = +25^\circ C$, $V_{CC} = 2V$; guaranteed by device characterization but not production tested.
- t_{RC} = Read Cycle Time
- This parameter is guaranteed by device characterization, but is not production tested.
- To initiate data retention, $\overline{SCE} = V_{IH}$ must be clocked in.

Data Retention and Power Down/Up Waveform (Random and Sequential Port)^(1,2)



NOTES:

1. \overline{SCE} is synchronized to the sequential clock input.
2. $\overline{CMD} \geq V_{cc} - 0.2V$.

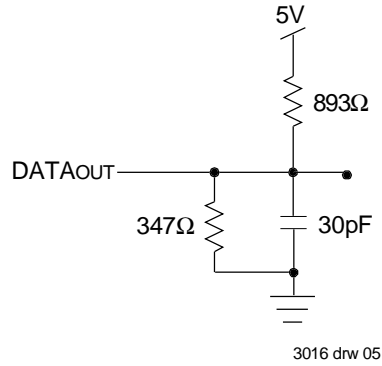


Figure 1. AC Output Test Load

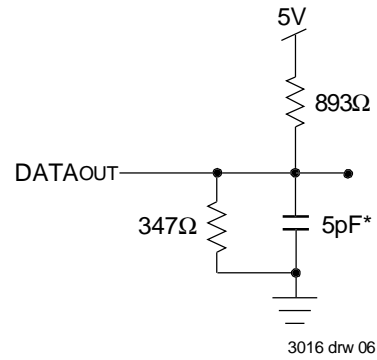


Figure 2. Output Test Load (for tCLZ, tBLZ, tOLZ, tCHZ, tBHZ, tOHZ, tWHZ, tCKHZ, and tCKLZ)
*Including scope and jig.

AC TEST CONDITIONS

Input Pulse Levels	GND to 3.0V
Input Rise/Fall Times	3ns Max.
Input Timing Reference Levels	1.5V
Output Reference Levels	1.5V
Output Load	Figures 1,2 and 3

3016 tbl 10

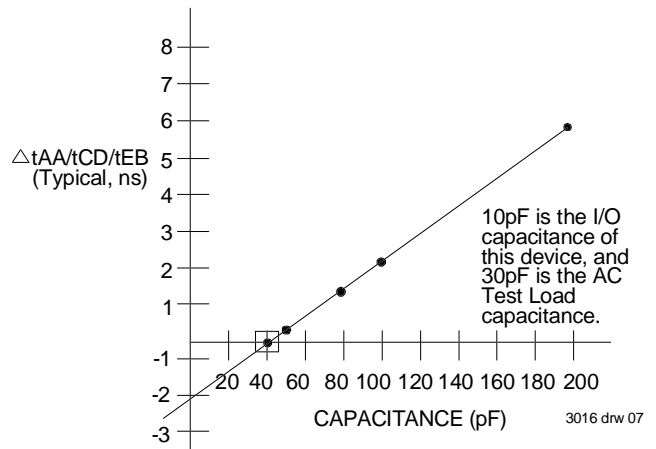


Figure 3. Lumped Capacitance Load Typical Derating Curve

Truth Table I: Random Access Read and Write^(1,2)

Inputs/Outputs								Mode
\overline{CE}	\overline{CMD}	R/W	\overline{OE}	\overline{LB}	\overline{UB}	I/O ₀ -I/O ₇	I/O ₈ -I/O ₁₅	
L	H	H	L	L	L	DATA _{OUT}	DATA _{OUT}	Read both Bytes.
L	H	H	L	L	H	DATA _{OUT}	High-Z	Read lower Byte only.
L	H	H	L	H	L	High-Z	DATA _{OUT}	Read upper Byte only.
L	H	L	H ⁽³⁾	L	L	DATA _{IN}	DATA _{IN}	Write to both Bytes.
L	H	L	H ⁽³⁾	L	H	DATA _{IN}	High-Z	Write to lower Byte only.
L	H	L	H ⁽³⁾	H	L	High-Z	DATA _{IN}	Write to upper Byte only.
H	H	X	X	X	X	High-Z	High-Z	Both Bytes deselected and powered down.
L	H	H	H	X	X	High-Z	High-Z	Outputs disabled but not powered down.
L	H	X	X	H	H	High-Z	High-Z	Both Bytes deselected but not powered down.
H	L	L	H ⁽³⁾	L ⁽⁴⁾	L ⁽⁴⁾	DATA _{IN}	DATA _{IN}	Write I/O ₀ -I/O ₁₁ to the Buffer Command Register.
H	L	H	L	L ⁽⁴⁾	L ⁽⁴⁾	DATA _{OUT}	DATA _{OUT}	Read contents of the Buffer Command Register via I/O ₀ -I/O ₁₂ .

NOTES:

3016 tbl 11

- H = V_{IH}, L = V_{IL}, X = Don't Care, and High-Z = High-impedance.
- \overline{RST} , \overline{SCE} , \overline{CNTEN} , SR/W, SLD, $\overline{SSTRT_1}$, $\overline{SSTRT_2}$, SCLK, SI/O₀-SI/O₁₅, $\overline{EOB_1}$, $\overline{EOB_2}$, and \overline{SOE} are unrelated to the random access port control and operation.
- If $\overline{OE} = V_{IL}$ during write, t_{WHZ} must be added to the t_{WP} or t_W write pulse width to allow the bus to float prior to being driven.
- Byte operations to control register using \overline{UB} and \overline{LB} separately are also allowed.

Truth Table II: Sequential Read^(1,2,3,6,8)

Inputs/Outputs								MODE
SCLK	\overline{SCE}	\overline{CNTEN}	SR/W	$\overline{EOB_1}$	$\overline{EOB_2}$	\overline{SOE}	SI/O	
↑	L	L	H	LOW	LAST	L	[$\overline{EOB_1}$]	Counter Advanced Sequential Read with $\overline{EOB_1}$ reached.
↑	L	H	H	LAST	LAST	L	[$\overline{EOB_1} - 1$]	Non-Counter Advanced Sequential Read, without $\overline{EOB_1}$ reached
↑	L	L	H	LAST	LOW	L	[$\overline{EOB_2}$]	Counter Advanced Sequential Read with $\overline{EOB_2}$ reached.
↑	L	H	H	LAST	LAST	L	[$\overline{EOB_2} - 1$]	Non-Counter Advanced Sequential Read without $\overline{EOB_2}$ reached.
↑	L	L	H	LOW	LOW	H	High-Z	Counter Advanced Sequential Non-Read with $\overline{EOB_1}$ and $\overline{EOB_2}$ reached.

3016 tbl 12

Truth Table III: Sequential Write^(1,2,3,4,5,6,7,8)

Inputs/Outputs								MODE
SCLK	\overline{SCE}	\overline{CNTEN}	SR/W	$\overline{EOB_1}$	$\overline{EOB_2}$	\overline{SOE}	SI/O	
↑	L	H	L	LAST	LAST	H	SI/O _{IN}	Non-Counter Advanced Sequential Write, without $\overline{EOB_1}$ or $\overline{EOB_2}$ reached.
↑	L	L	L	LOW	LOW	H	SI/O _{IN}	Counter Advanced Sequential Write with $\overline{EOB_1}$ and $\overline{EOB_2}$ reached.
↑	H	H	X	LAST	LAST	X	High-Z	No Write or Read due to Sequential port Deselect. No counter advance.
↑	H	L	X	NEXT	NEXT	X	High-Z	No Write or Read due to Sequential port Deselect. Counter does advance.

NOTES:

3016 tbl 13

- H = V_{IH}, L = V_{IL}, X = Don't Care, and HIGH-Z = High-impedance. LOW = V_{OL}.
- \overline{RST} , SLD, $\overline{SSTRT_1}$, $\overline{SSTRT_2}$ are continuously HIGH during a sequential write access, other than pointer access operations.
- \overline{CE} , \overline{OE} , R/W, \overline{CMD} , \overline{LB} , \overline{UB} , and I/O₀-I/O₁₅ are unrelated to the sequential port control and operation except for \overline{CMD} which must not be used concurrently with the sequential port operation (due to the counter and register control). \overline{CMD} should be HIGH ($\overline{CMD} = V_{IH}$) during sequential port access.
- \overline{SOE} must be HIGH ($\overline{SOE} = V_{IH}$) prior to write conditions only if the previous cycle is a read cycle, since the data being written must be an input at the rising edge of the clock during the cycle in which SR/W = V_{IL}.
- SI/O_{IN} refers to SI/O₀-SI/O₁₅ inputs.
- "LAST" refers to the previous value still being output, no change.
- Termination of a write is done on the LOW-to-HIGH transition of SCLK if SR/W or \overline{SCE} is HIGH.
- When CLKEN=LOW, the address is incremented on the next rising edge before any operation takes place. See the diagrams called "Sequential Counter Enable Cycle after Reset, Read (and write) Cycle".

Truth Table IV: Sequential Address Pointer Operations^(1,2,3,4,5)

Inputs/Outputs					MODE
SCLK	$\overline{\text{SLD}}$	$\overline{\text{SSTRT}}_1$	$\overline{\text{SSTRT}}_2$	$\overline{\text{SOE}}$	
↑	H	L	H	X	Start address for Buffer #1 loaded into Address Pointer.
↑	H	H	L	X	Start address for Buffer #2 loaded into Address Pointer.
↑	L	H	H	H ⁽⁶⁾	Data on SI/O ₀ -SI/O ₁₂ loaded into Address Pointer.

3016 tbl 14

NOTES:

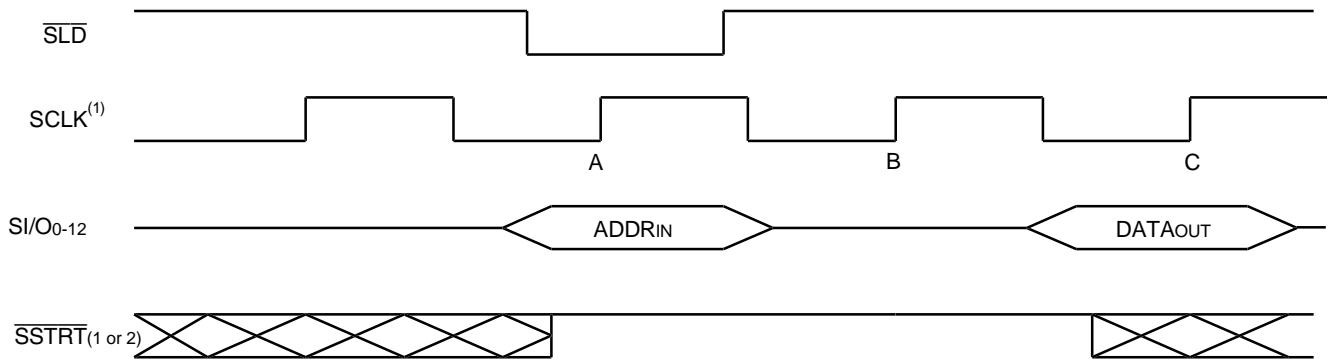
- H = V_{IH}, L = V_{IL}, X = Don't Care, and High-Z = High-impedance.
- $\overline{\text{RST}}$ is continuously HIGH. The conditions of $\overline{\text{SCE}}$, $\overline{\text{CNTEN}}$, and $\overline{\text{SR}}/\overline{\text{W}}$ are unrelated to the sequential address pointer operations.
- $\overline{\text{CE}}$, $\overline{\text{OE}}$, $\overline{\text{R}}/\overline{\text{W}}$, $\overline{\text{LB}}$, $\overline{\text{UB}}$, and I/O₀-I/O₁₅ are unrelated to the sequential port control and operation, except for $\overline{\text{CMD}}$ which must not be used concurrently with the sequential port operation (due to the counter and register control). $\overline{\text{CMD}}$ should be HIGH ($\overline{\text{CMD}} = \text{V}_{IH}$) during sequential port access.
- Address pointer can also change when it reaches an end of buffer address. See Flow Control Bits table.
- When $\overline{\text{SLD}}$ is sampled LOW, there is an internal delay of one cycle before the address pointer changes. The state of $\overline{\text{CNTEN}}$ is ignored and the address is not incremented during the two cycles.
- $\overline{\text{SOE}}$ may be LOW with $\overline{\text{SCE}}$ deselected or in the write mode using $\overline{\text{SR}}/\overline{\text{W}}$.

Address Pointer Load Control ($\overline{\text{SLD}}$)

In $\overline{\text{SLD}}$ mode, there is an internal delay of one cycle before the address pointer changes in the cycle following $\overline{\text{SLD}}$. When $\overline{\text{SLD}}$ is LOW, data on the inputs SI/O₀-SI/O₁₂ is loaded into a data-in register on the LOW-to-HIGH transition of SCLK. On the cycle following $\overline{\text{SLD}}$, the address pointer changes to the address location contained in the

data-in register. $\overline{\text{SSTRT}}_1$, $\overline{\text{SSTRT}}_2$ may not be low while $\overline{\text{SLD}}$ is LOW, or during the cycle following $\overline{\text{SLD}}$. The $\overline{\text{SSTRT}}_1$ and $\overline{\text{SSTRT}}_2$ require only one clock cycle, since these addresses are pre-loaded in the registers already.

$\overline{\text{SLD}}$ MODE⁽¹⁾

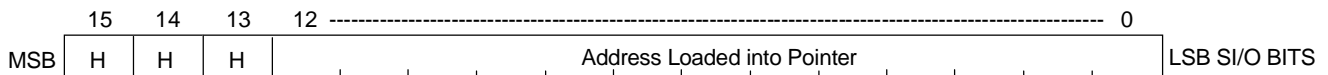


3016 drw 08

NOTE:

- At SCLK edge (A), SI/O₀-SI/O₁₂ data is loaded into a data-in register. At edge (B), contents of the data-in register are loaded into the address pointer (i.e. address pointer changes). At SCLK edge (A), $\overline{\text{SSTRT}}_1$ and $\overline{\text{SSTRT}}_2$ must be HIGH to ensure for proper sequential address pointer loading. At SCLK edge (B), $\overline{\text{SLD}}$ and $\overline{\text{SSTRT}}_{1,2}$ must be HIGH to ensure for proper sequential address pointer loading. For $\overline{\text{SSTRT}}_1$ or $\overline{\text{SSTRT}}_2$, the data to be read will be ready for edge (B), while data will not be ready at edge (B) when $\overline{\text{SLD}}$ is used, but will be ready at edge (C).

Sequential Load of Address into Pointer/Counter⁽¹⁾

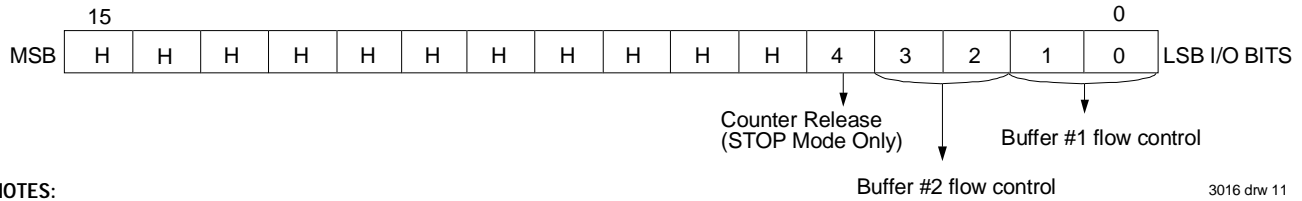


NOTE:

- "H" = V_{IH} for the SI/O input state.

3016 drw 09

Flow Control Register Description^(1,2)



NOTES:

1. "H" = V_{OH} for I/O in the output state and "Don't Cares" for I/O in the input state.
2. Writing a 0 into bit 4 releases the address pointer after it is stopped due to the STOP mode and allows sequential write operations to resume. This occurs asynchronously of SCLK, and therefore caution should be taken. The pointer will be at address $\overline{EOB}+2$ on the next rising edge of SCLK that is enabled by \overline{CNTEN} . The pointer is also released by \overline{RST} , \overline{SLD} , $\overline{SSTR1}$ and $\overline{SSTR2}$ operations.

Flow Control Bits

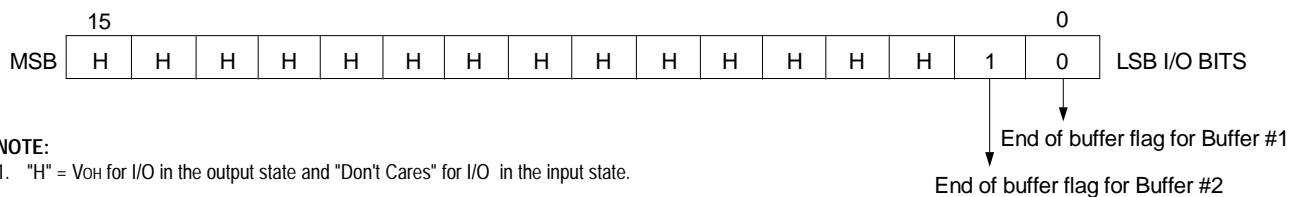
Flow Control		Functional Description
Bit 1 & Bit 0 (Bit 3 & Bit 2)	Mode	
00	BUFFER CHAINING	\overline{EOB}_1 (\overline{EOB}_2) is asserted (active LOW output) when the pointer matches the end address of Buffer #1 (Buffer #2). The pointer value is changed to the start address of Buffer #2 (Buffer #1) ^(1,3)
01	STOP	\overline{EOB}_1 (\overline{EOB}_2) is asserted when the pointer matches the end address of Buffer #1 (Buffer #2). The address pointer will stop incrementing when it reaches the next address (\overline{EOB} address + 1), if \overline{CNTEN} is LOW on the next clock's rising edge. Otherwise, the address pointer will stop incrementing on \overline{EOB} . Sequential write operations are inhibited after the address pointer is stopped. The pointer can be released by bit 4 of the flow control register. ^(1,2,4)
10	LINEAR	\overline{EOB}_1 (\overline{EOB}_2) is asserted when the pointer matches the end address of Buffer #1 (Buffer #2). The pointer keeps incrementing for further operations. ⁽¹⁾
11	MASK	\overline{EOB}_1 (\overline{EOB}_2) is not asserted when the pointer reaches the end address of Buffer #1 (Buffer #2), although the flag status bits will be set. The pointer keeps incrementing for further operations.

3016 tbl 17

NOTES:

1. \overline{EOB}_1 and \overline{EOB}_2 may be asserted (set) at the same time, if both end addresses have been loaded with the same value.
2. \overline{CMD} flow control bits are unchanged, the count does not continue advancement.
3. If \overline{EOB}_1 and \overline{EOB}_2 are equal, then the pointer will jump to the start of Buffer #1.
4. If counter has stopped at \overline{EOB}_x and was released by bit 4 of the flow control register, \overline{CNTEN} must be LOW on the next rising edge of SCLK otherwise the flow control will remain in the STOP mode.

Cases 6 and 7: Flag Status Register Bit Description⁽¹⁾



NOTE:

1. "H" = V_{OH} for I/O in the output state and "Don't Cares" for I/O in the input state.

Cases 6: Flag Status Register Write Conditions⁽¹⁾

Flag Status Bit 0, (Bit 1)	Functional Description
0	Clears Buffer Flag \overline{EOB}_1 , (\overline{EOB}_2).
1	No change to the Buffer Flag. ⁽²⁾

3016 tbl 18

NOTES:

1. Either bit 0 or bit 1, or both bits, may be changed simultaneously. One may be cleared while the second is left alone or cleared.
2. Remains as it was prior to the CMD operation, either HIGH (1) or LOW (0).

Case 7: Flag Status Register Read Conditions

Flag Status Bit 0, (Bit 1)	Functional Description
0	\overline{EOB}_1 (\overline{EOB}_2) flag has not been set, the pointer has not reached the end of the buffer.
1	\overline{EOB}_1 (\overline{EOB}_2) flag has been set, the pointer has reached the end of the buffer.

3016 tbl 19

Cases 8 and 9: (Reserved)

Illegal operations. All outputs will be HIGH on the I/O bus during a READ.

Random Access port: AC Electrical Characteristics Over the Operating Temperature and Supply Voltage Range^(2,4,5)

Symbol	Parameter	70825X20 Com'1 Only		70825X25 Com'1 Only		70825X35 Com'1 & Military		70825X45 Com'1 & Military		Unit
		Min.	Max.	Min.	Max.	Min.	Max.	Min.	Max.	
READ CYCLE										
t _{RC}	Read Cycle Time	20	—	25	—	35	—	45	—	ns
t _{AA}	Address Access Time	—	20	—	25	—	35	—	45	ns
t _{ACE}	Chip Enable Access Time	—	20	—	25	—	35	—	45	ns
t _{BE}	Byte Enable Access Time	—	20	—	25	—	35	—	55	ns
t _{OE}	Output Enable Access Time	—	10	—	10	—	15	—	20	ns
t _{OH}	Output Hold from Address Change	3	—	3	—	3	—	3	—	ns
t _{CLZ}	Chip Select Low-Z Time ⁽¹⁾	3	—	3	—	3	—	3	—	ns
t _{BLZ}	Byte Enable Low-Z Time ⁽¹⁾	3	—	3	—	3	—	3	—	ns
t _{OLZ}	Output Enable Low-Z Time ⁽¹⁾	2	—	2	—	2	—	2	—	ns
t _{CHZ}	Chip Select High-Z Time ⁽¹⁾	—	10	—	12	—	15	—	15	ns
t _{BHZ}	Byte Enable High-Z Time ⁽¹⁾	—	10	—	12	—	15	—	15	ns
t _{OHZ}	Output Enable High-Z Time ⁽¹⁾	—	9	—	11	—	15	—	15	ns
t _{PU}	Chip Select Power Up Time	0	—	0	—	0	—	0	—	ns
t _{PD}	Chip Select Power Down Time	—	20	—	25	—	35	—	45	ns

3016 tbl 20

Random Access Port: AC Electrical Characteristics Over the Operating Temperature and Supply Voltage^(2,4,5)

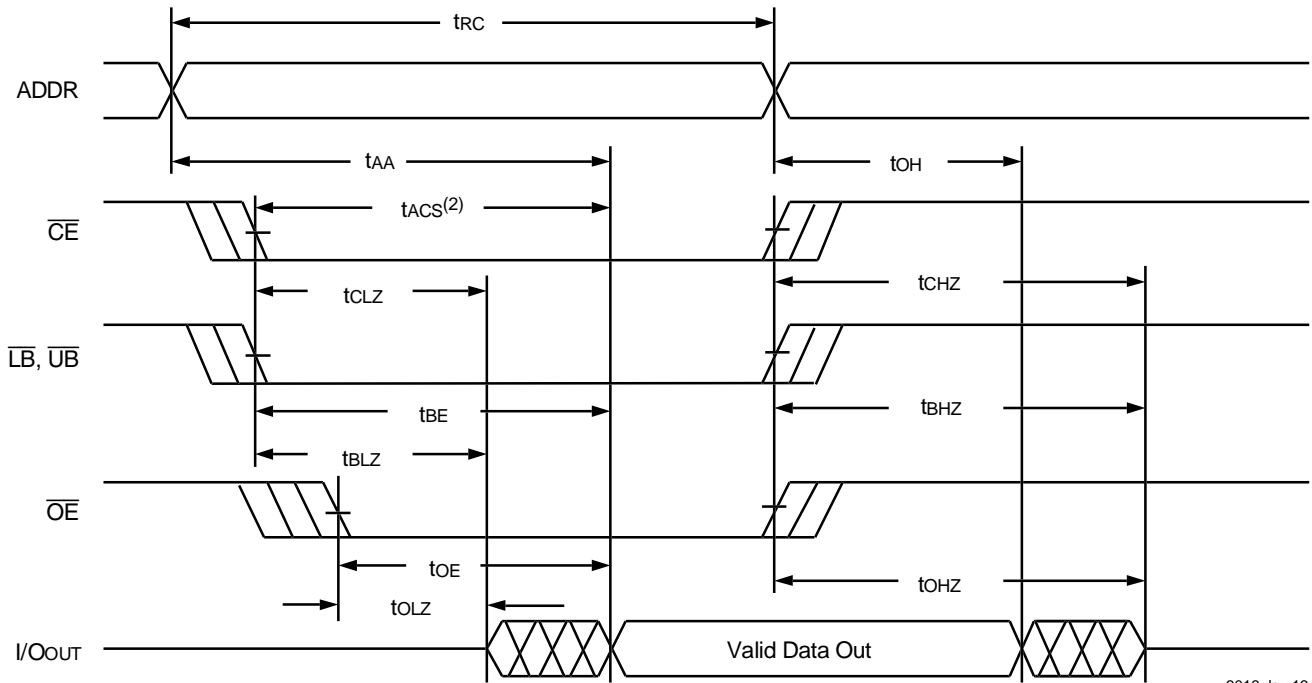
Symbol	Parameter	70825X20 Com'1 Only		70825X25 Com'1 Only		70825X35 Com'1 & Military		70825X45 Com'1 & Military		Unit
		Min.	Max.	Min.	Max.	Min.	Max.	Min.	Max.	
WRITE CYCLE										
t _{WC}	Write Cycle Time	20	—	25	—	35	—	45	—	ns
t _{CW}	Chip Enable to End-of-Write	15	—	20	—	25	—	30	—	ns
t _{AW}	Address Valid to End-of-Write ⁽³⁾	15	—	20	—	25	—	30	—	ns
t _{AS}	Address Set-up Time	0	—	0	—	0	—	0	—	ns
t _{WP}	Write Pulse Width ⁽³⁾	13	—	20	—	25	—	30	—	ns
t _{BP}	Byte Enable Pulse Width ⁽³⁾	15	—	20	—	25	—	30	—	ns
t _{WR}	Write Recovery Time	0	—	0	—	0	—	0	—	ns
t _{WHZ}	Write Enable Output in High-Z Time ⁽¹⁾	—	10	—	12	—	15	—	15	ns
t _{DW}	Data Set-up Time	13	—	15	—	20	—	25	—	ns
t _{DH}	Data Hold Time	0	—	0	—	0	—	0	—	ns
t _{OW}	Output Active from End-of-Write	3	—	3	—	3	—	3	—	ns

3016 tbl 21

NOTES:

- Transition measured at 0mV from steady state. This parameter is guaranteed with the AC Output Test Load (Figure 1) by device characterization, but is not production tested.
- 'X' in part number indicates power rating (S or L).
- \overline{OE} is continuously HIGH, $\overline{OE} = V_{IH}$. If during the R/\overline{W} controlled write cycle the \overline{OE} is LOW, t_{WP} must be greater or equal to $t_{WHZ} + t_{DW}$ to allow the I/O drivers to turn off and on the data to be placed on the bus for the required t_{DW} . If \overline{OE} is HIGH during the R/\overline{W} controlled write cycle, this requirement does not apply and the minimum write pulse is the specified t_{WP} . For the \overline{CE} controlled write cycle, \overline{OE} may be LOW with no degradation to t_{CW} timing.
- CMD access follows standard timing listed for both read and write accesses, ($\overline{CE} = V_{IH}$ when $\overline{CMD} = V_{IL}$) or ($\overline{CMD} = V_{IH}$ when $\overline{CE} = V_{IL}$).
- Industrial temperature: for specific speeds, packages and powers contact your sales office.

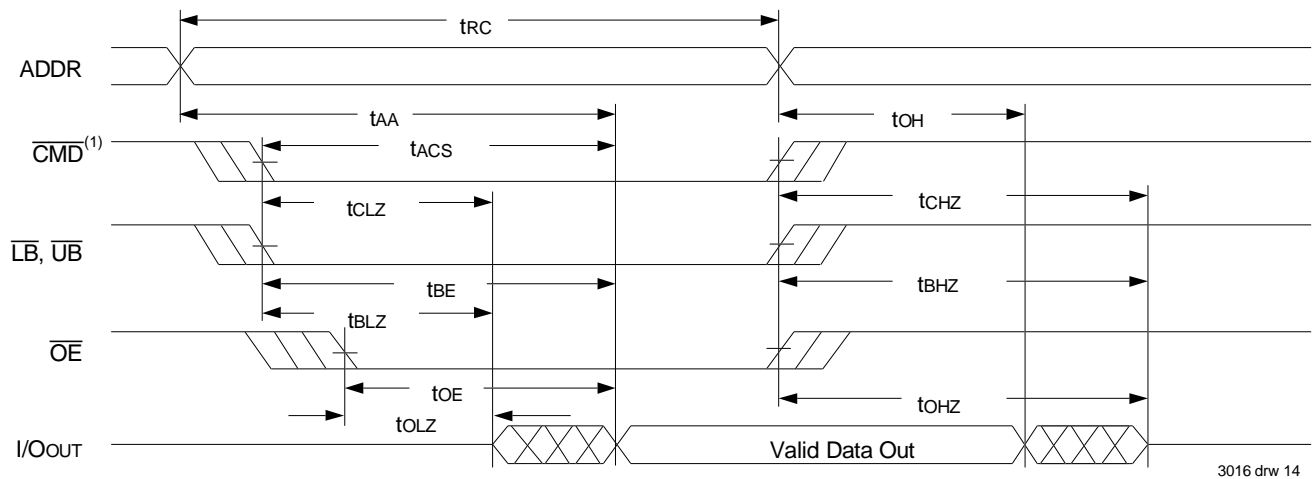
Waveform of Read Cycles: Random Access Port^(1,2)



NOTES:

1. R/\overline{W} is HIGH for read cycle.
2. Address valid prior to or coincident with \overline{CE} transition LOW; otherwise t_{AA} is the limiting parameter.

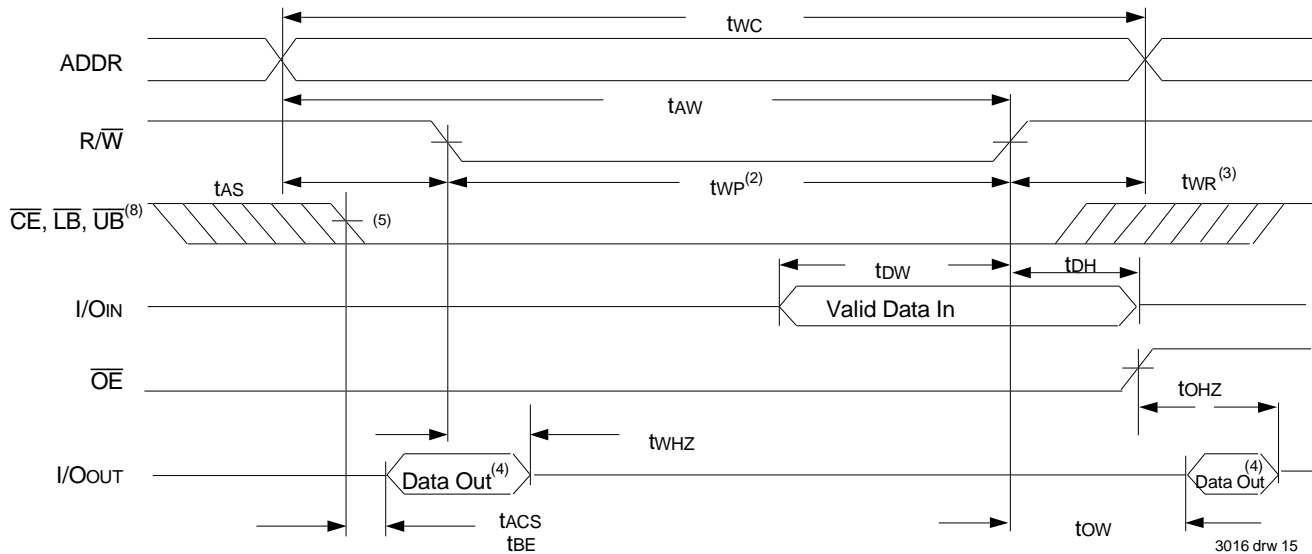
Waveform of Read Cycles: Buffer Command Mode



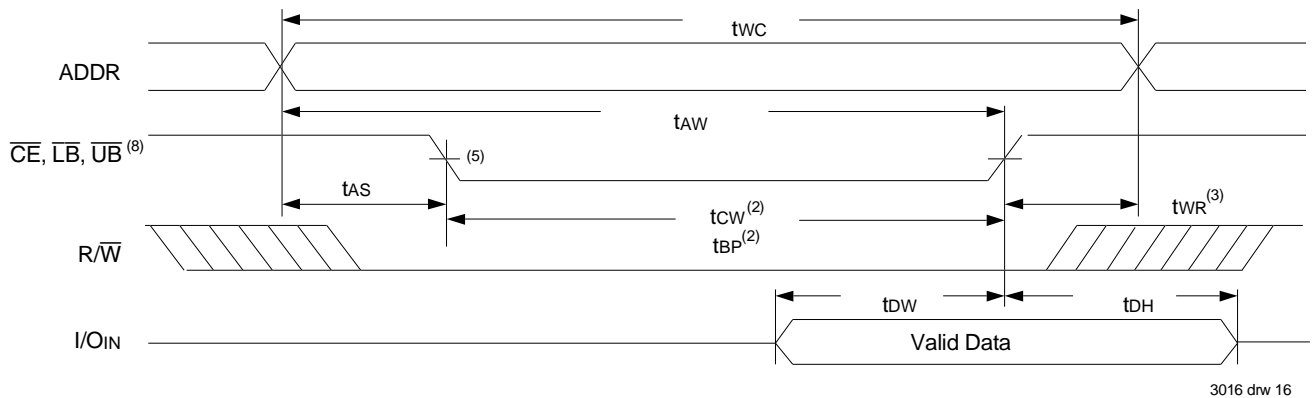
NOTE:

1. $\overline{CE} = V_{IH}$ when $\overline{CMD} = V_{IL}$.

Waveform of Write Cycle No.1 ($\overline{R/\overline{W}}$ Controlled Timing) Random Access Port^(1,6)



Waveform of Write Cycle No.2 (\overline{CE} , \overline{LB} , and/or \overline{UB} Controlled Timing) Random Access Port^(1,6,7)



NOTES:

- $\overline{R/\overline{W}}$, \overline{CE} , or \overline{LB} and \overline{UB} must be inactive during all address transitions.
- A write occurs during the overlap of $\overline{R/\overline{W}} = V_{IL}$, $\overline{CE} = V_{IL}$ and $\overline{LB} = V_{IL}$ and/or $\overline{UB} = V_{IL}$.
- t_{WR} is measured from the earlier of \overline{CE} (and \overline{LB} and/or \overline{UB}) or $\overline{R/\overline{W}}$ going HIGH to the end of the write cycle.
- During this period, I/O pins are in the output state and the input signals must not be applied.
- If the \overline{CE} LOW transition occurs simultaneously with or after the $\overline{R/\overline{W}}$ LOW transition, the outputs remain in the High-impedance state.
- \overline{OE} is continuously HIGH, $\overline{OE} = V_{IH}$. If during the $\overline{R/\overline{W}}$ controlled write cycle the \overline{OE} is LOW, t_{WP} must be greater or equal to $t_{WHZ} + t_{OW}$ to allow the I/O drivers to turn off and on the data to be placed on the bus for the required t_{OW} . If \overline{OE} is HIGH during the $\overline{R/\overline{W}}$ controlled write cycle, this requirement does not apply and the minimum write pulse is the specified t_{WP} . For the \overline{CE} controlled write cycle, \overline{OE} may be LOW with no degradation to t_{CW} timing.
- I/O_{OUT} is never enabled, therefore the output is in HIGH-Z state during the entire write cycle.
- \overline{CMD} access follows the standard \overline{CE} access described above. If $\overline{CMD} = V_{IL}$, then \overline{CE} must = V_{IH} or, when $\overline{CE} = V_{IL}$, \overline{CMD} must = V_{IH} .

Sequential Port: AC Electrical Characteristics Over the Operating Temperature and Supply Voltage Range^(1,3)

Symbol	Parameter	70825X20 Com'l Only		70825X25 Com'l Only		70825X35 Com'l & Military		70825X45 Com'l & Military		Unit
		Min.	Max.	Min.	Max.	Min.	Max.	Min.	Max.	
READ CYCLE										
t _{CYC}	Sequential Clock Cycle Time	25	—	30	—	40	—	50	—	ns
t _{CH}	Clock Pulse HIGH	10	—	12	—	15	—	18	—	ns
t _{CL}	Clock Pulse LOW	10	—	12	—	15	—	18	—	ns
t _{ES}	Count Enable and Address Pointer Set-up Time	5	—	5	—	6	—	6	—	ns
t _{EH}	Count Enable and Address Pointer Hold Time	2	—	2	—	2	—	2	—	ns
t _{SOE}	Output Enable to Data Valid	—	8	—	10	—	15	—	20	ns
t _{OLZ}	Output Enable Low-Z Time ⁽²⁾	2	—	2	—	2	—	2	—	ns
t _{OHZ}	Output Enable High-Z Time ⁽²⁾	—	9	—	11	—	15	—	15	ns
t _{CD}	Clock to Valid Data	—	20	—	25	—	35	—	45	ns
t _{CKHZ}	Clock High-Z Time ⁽²⁾	—	12	—	14	—	17	—	20	ns
t _{CKLZ}	Clock Low-Z Time ⁽²⁾	3	—	3	—	3	—	3	—	ns
t _{EB}	Clock to $\overline{E}O\overline{B}$	—	13	—	15	—	18	—	23	ns

3016 tbl 22

Sequential Port: AC Electrical Characteristics Over the Operating Temperature and Supply Voltage Range^(1,3)

Symbol	Parameter	70825X20 Com'l Only		70825X25 Com'l Only		70825X35 Com'l & Military		70825X45 Com'l & Military		Unit
		Min.	Max.	Min.	Max.	Min.	Max.	Min.	Max.	
WRITE CYCLE										
t _{CYC}	Sequential Clock Cycle Time	25	—	30	—	40	—	50	—	ns
t _{FS}	Flow Restart Time	13	—	15	—	20	—	20	—	ns
t _{WS}	Chip Select and Read/Write Set-up Time	5	—	5	—	6	—	6	—	ns
t _{WH}	Chip Select and Read/Write Hold Time	2	—	2	—	2	—	2	—	ns
t _{DS}	Input Data Set-up Time	5	—	5	—	6	—	6	—	ns
t _{DH}	Input Data Hold Time	2	—	2	—	2	—	2	—	ns

3016 tbl 23

NOTES:

- 'X' in part number indicates power rating (S or L).
- Transition measured at 0mV from steady state. This parameter is guaranteed with the AC Output Test Load (Figure 1) by device characterization, but is not production tested.
- Industrial temperature: for specific speeds, packages and powers contact your sales office.

Sequential Port: AC Electrical Characteristics Over the Operating Temperature and Supply Voltage^(1,2)

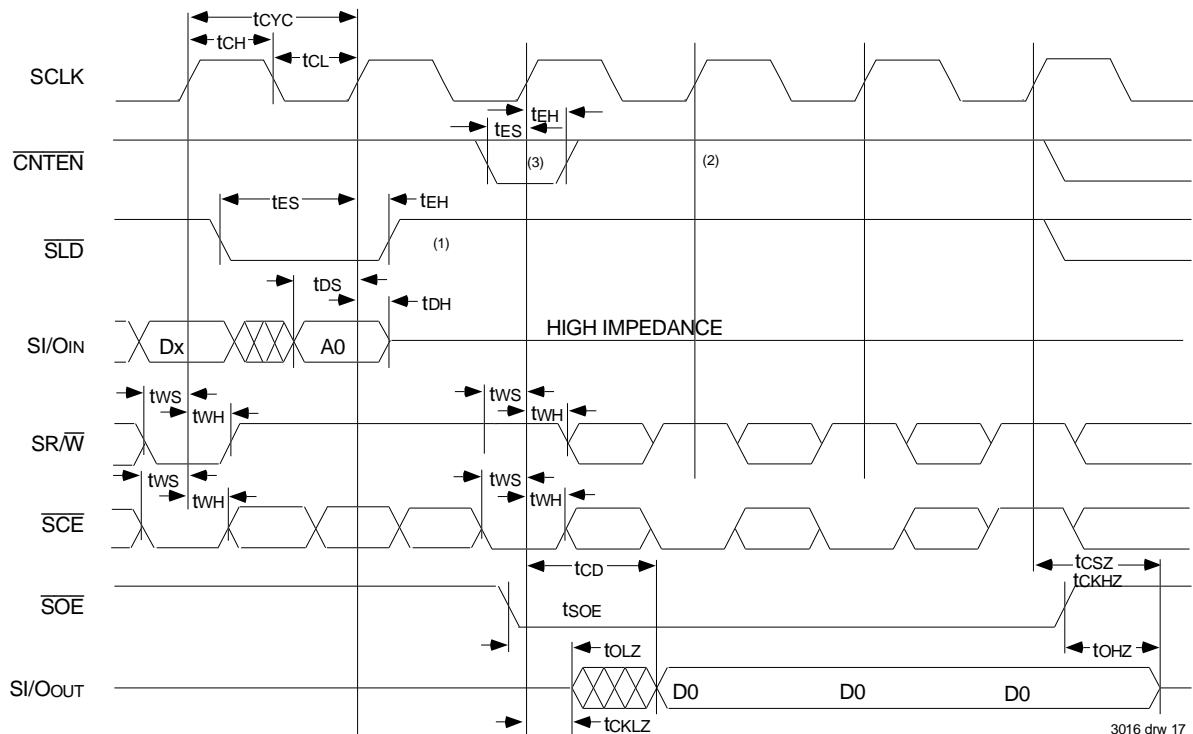
Symbol	Parameter	70825X20 Com'l Only		70825X25 Com'l Only		70825X35 Com'l & Military		70825X45 Com'l & Military		Unit
		Min.	Max.	Min.	Max.	Min.	Max.	Min.	Max.	
RESET CYCLE										
tRSPW	Reset Pulse Width	13	—	15	—	20	—	20	—	ns
tWERS	Write Enable HIGH to Reset HIGH	10	—	10	—	10	—	10	—	ns
tRSRC	Reset HIGH to Write Enable LOW	10	—	10	—	10	—	10	—	ns
tRSFV	Reset HIGH to Flag Valid	15	—	20	—	25	—	25	—	ns

3016 tbl 24

NOTE:

- 'X' in part number indicates power rating (S or L).
- Industrial temperature: for specific speeds, packages and powers contact your sales office.

Sequential Port: Write, Pointer Load Non-Incrementing Read

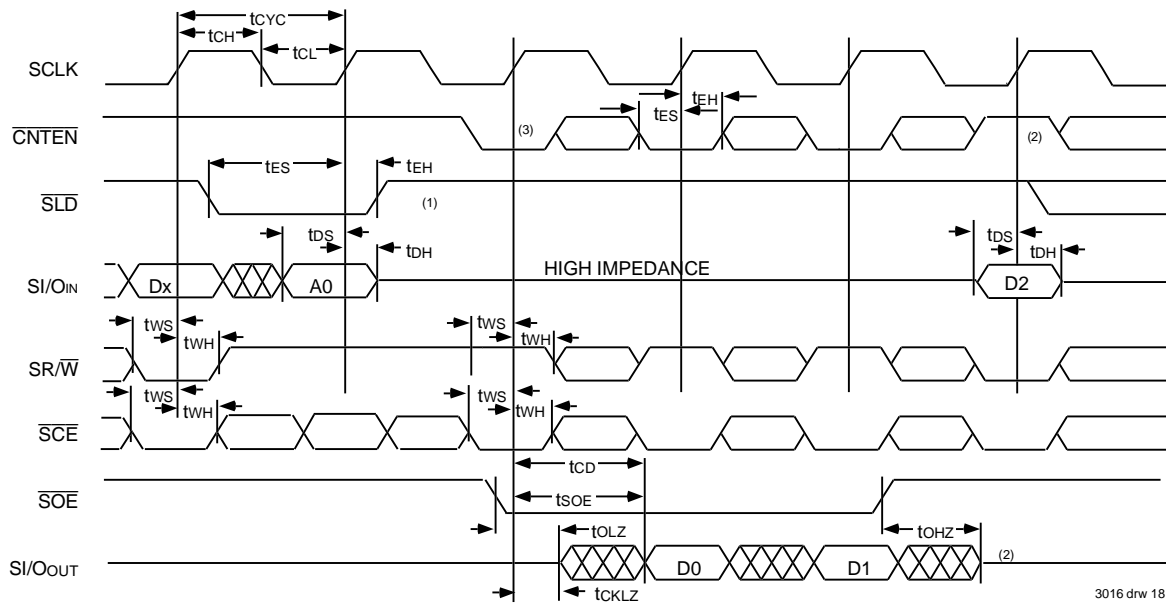


3016 drw 17

NOTES:

- If $\overline{SLD} = V_{IL}$, then address will be clocked in on the SCLK's rising edge.
- If $\overline{CNTEN} = V_{IH}$ for the SCLK's rising edge, the internal address counter will not advance.
- Pointer is not incremented on cycle immediately following \overline{SLD} even if \overline{CNTEN} is LOW.

Sequential Port: Write, Pointer Load, Burst Read

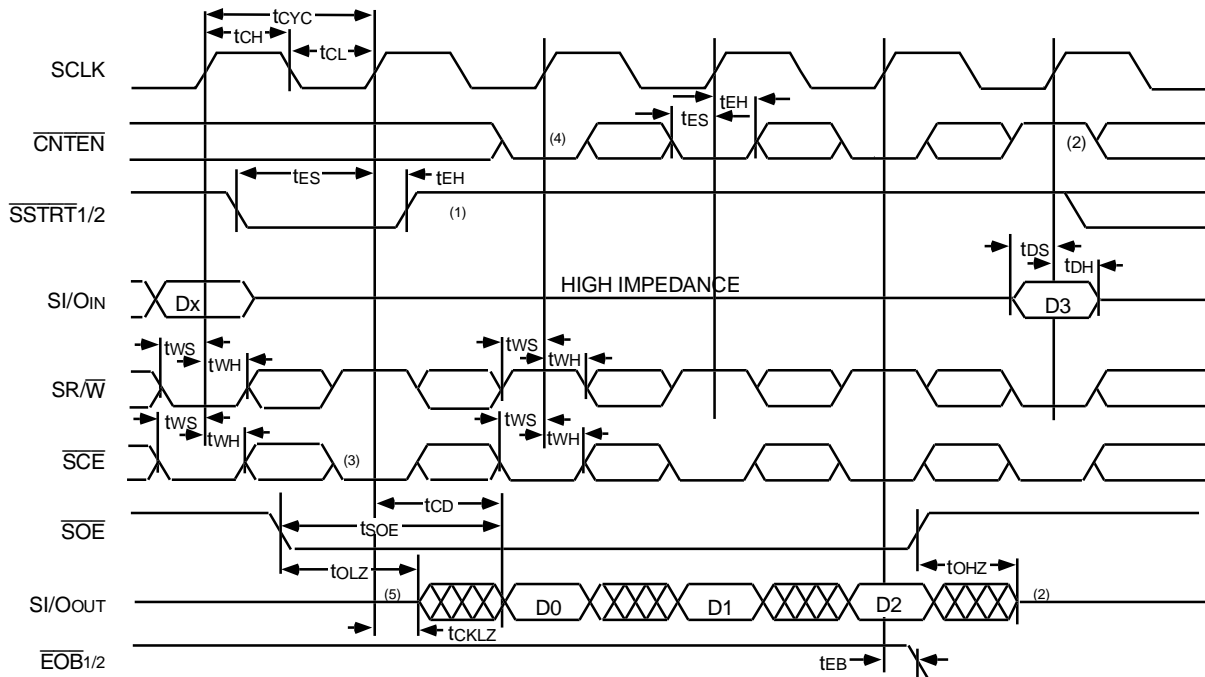


3016 drw 18

NOTES:

1. If $\overline{SLD} = V_{IL}$, then address will be clocked in on the SCLK's rising edge.
2. If $\overline{CNTEN} = V_{IH}$ for the SCLK's rising edge, the internal address counter will not advance.
3. Pointer is not incremented on cycle immediately following \overline{SLD} even if \overline{CNTEN} is LOW.

Read $\overline{STRT}/\overline{EOB}$ Flag Timing - Sequential Port⁽¹⁾

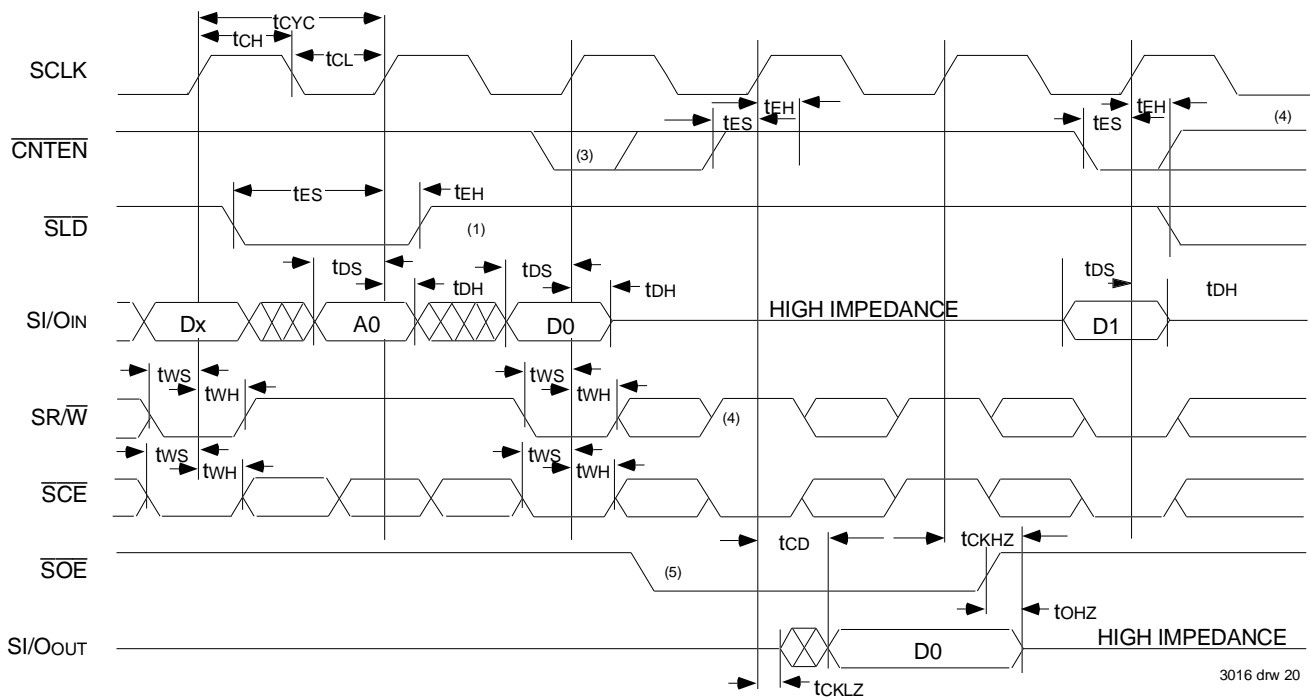


3016 drw19

NOTES: (Also used in the Figure "Read $\overline{STRT}/\overline{EOB}$ Flag Timing")

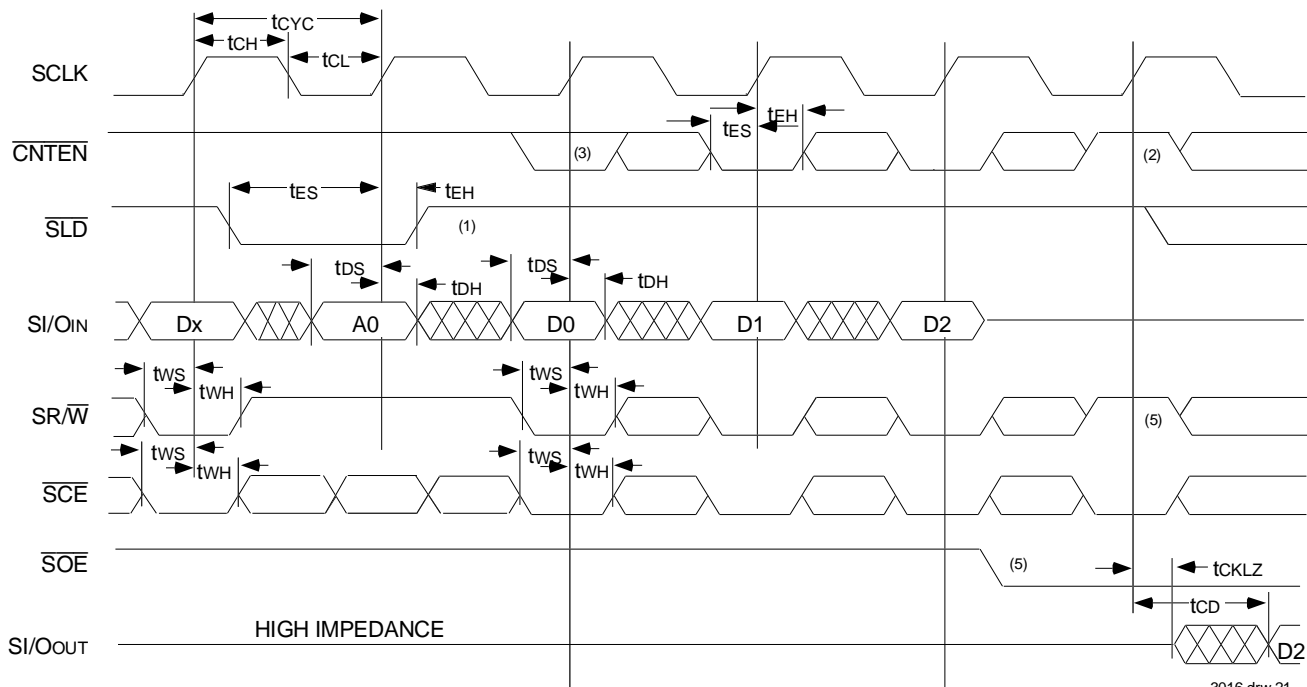
1. If \overline{SSTRT}_1 or $\overline{SSTRT}_2 = V_{IL}$, then address will be clocked in on the SCLK's rising edge.
2. If $\overline{CNTEN} = V_{IH}$ for the SCLK's rising edge, the internal address counter will not advance.
3. \overline{SOE} will control the output and should be HIGH on power-up. If $\overline{SCE} = V_{IL}$ and is clocked in while $\overline{SR/W} = V_{IH}$, the data addressed will be read out within that cycle. If $\overline{SCE} = V_{IL}$ and is clocked in while $\overline{SR/W} = V_{IL}$, the data addressed will be written to if the last cycle was a read. \overline{SOE} may be used to control the bus contention and permit a write on this cycle.
4. Unlike \overline{SLD} case, \overline{CNTEN} is not disabled on cycle immediately following \overline{SSTRT} .
5. If $\overline{SR/W} = V_{IL}$, data would be written to D0 again since $\overline{CNTEN} = V_{IH}$.
6. $\overline{SOE} = V_{IL}$ makes no difference at this point since the $\overline{SR/W} = V_{IL}$ disables the output until $\overline{SR/W} = V_{IH}$ is clocked in on the next rising clock edge.

Waveform of Write Cycles: Sequential Port



3016 drw 20

Waveform of Burst Write Cycles: Sequential Port

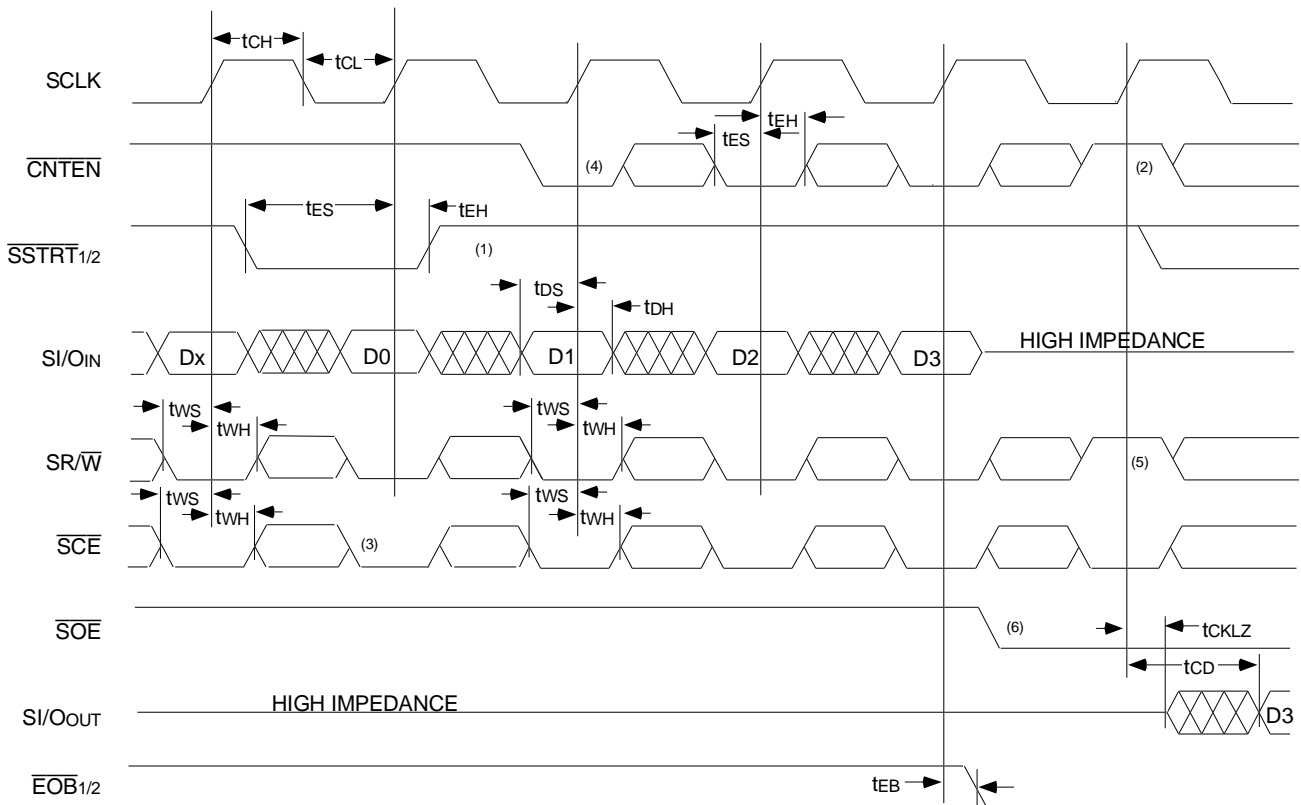


3016 drw 21

NOTES :

1. If SLD = V_{IL} , then address will be clocked in on the SCLK's rising edge.
2. If CNTEN = V_{IH} for the SCLK's rising edge, the internal address counter will not advance.
3. Pointer is not incrementing on cycle immediately following SLD even if CNTEN is LOW.
4. If SRW = V_{IL} , data would be written to D0 again since CNTEN = V_{IH} .
5. SOE = V_{IL} makes no difference at this point since the SRW = V_{IL} disables the output until SRW = V_{IH} is clocked in on the next rising clock edge.

Waveform of Write Cycles: Sequential Port ($\overline{\text{STRT}}$ / $\overline{\text{EOB}}$ Flag Timing)

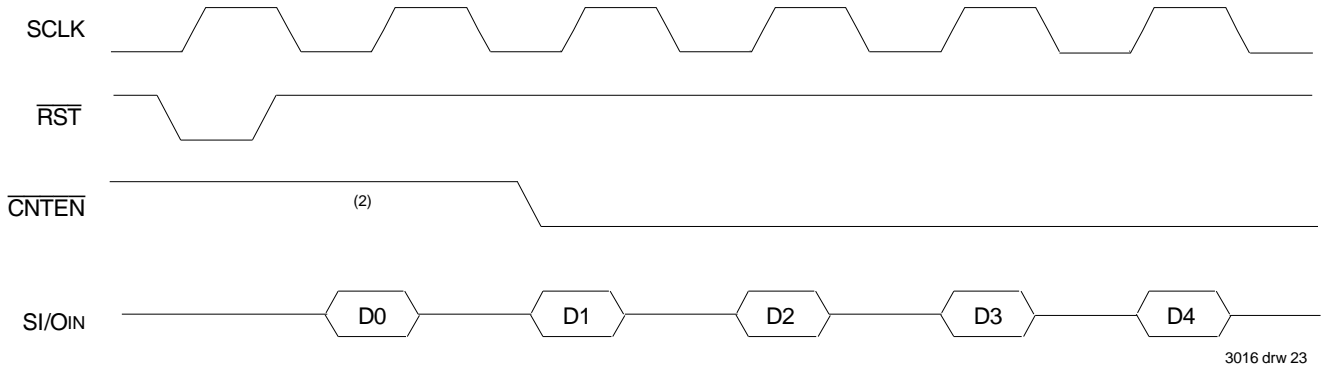


3016 drw 22

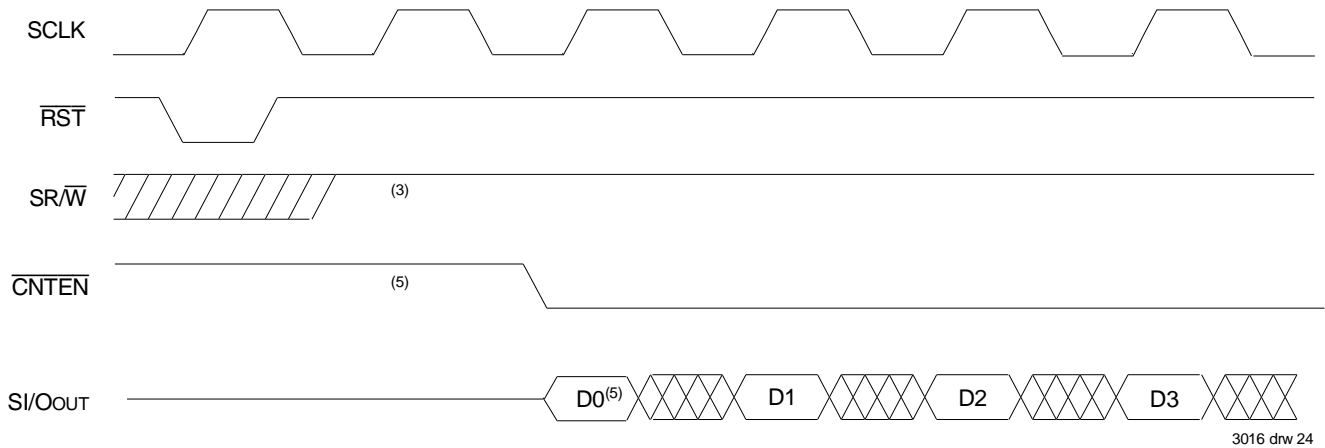
NOTES: (Also used in the Figure "Read $\overline{\text{STRT}}$ / $\overline{\text{EOB}}$ Flag Timing")

1. If $\overline{\text{SSTRT}}_1$ or $\overline{\text{SSTRT}}_2 = V_{IL}$, then address will be clocked in on the SCLK's rising edge.
2. If $\overline{\text{CNTEN}} = V_{IH}$ for the SCLK's rising edge, the internal address counter will not advance.
3. $\overline{\text{SOE}}$ will control the output and should be HIGH on power-up. If $\overline{\text{SCE}} = V_{IL}$ and is clocked in while $\overline{\text{SR/W}} = V_{IH}$, the data addressed will be read out within that cycle. If $\overline{\text{SCE}} = V_{IL}$ and is clocked in while $\overline{\text{SR/W}} = V_{IL}$, the data addressed will be written to if the last cycle was a read. $\overline{\text{SOE}}$ may be used to control the bus contention and permit a write on this cycle.
4. Unlike SLD case, $\overline{\text{CNTEN}}$ is not disabled on cycle immediately following $\overline{\text{SSTRT}}$.
5. If $\overline{\text{SR/W}} = V_{IL}$, data would be written to D₀ again since $\overline{\text{CNTEN}} = V_{IH}$.
6. $\overline{\text{SOE}} = V_{IL}$ makes no difference at this point since the $\overline{\text{SR/W}} = V_{IL}$ disables the output until $\overline{\text{SR/W}} = V_{IH}$ is clocked in on the next rising clock edge.

Sequential Counter Enable Cycle After Reset, Write Cycle^(1,4,6)



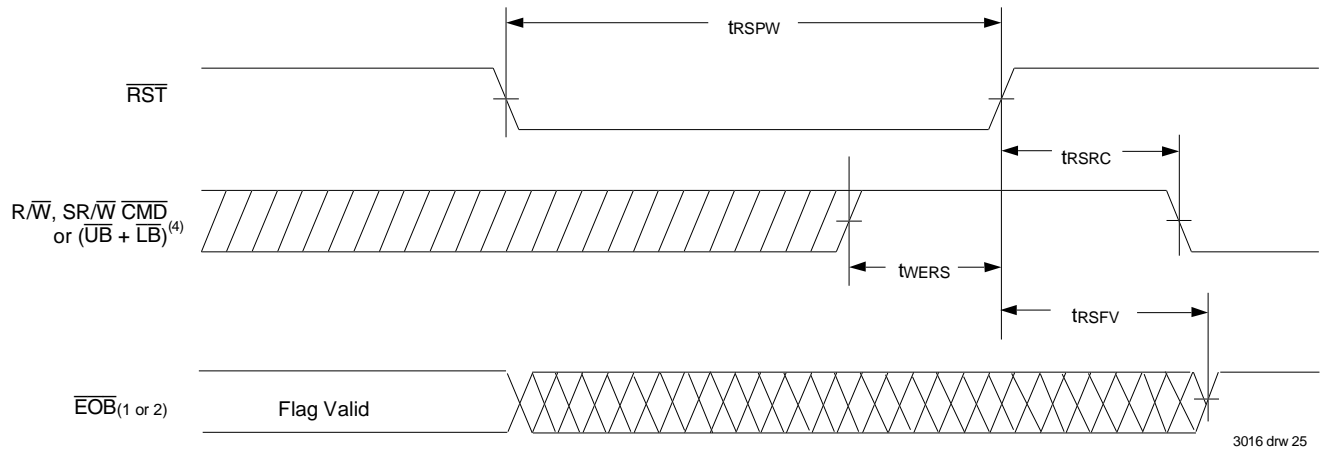
Sequential Counter Enable Cycle After Reset, Read Cycle^(1,4)



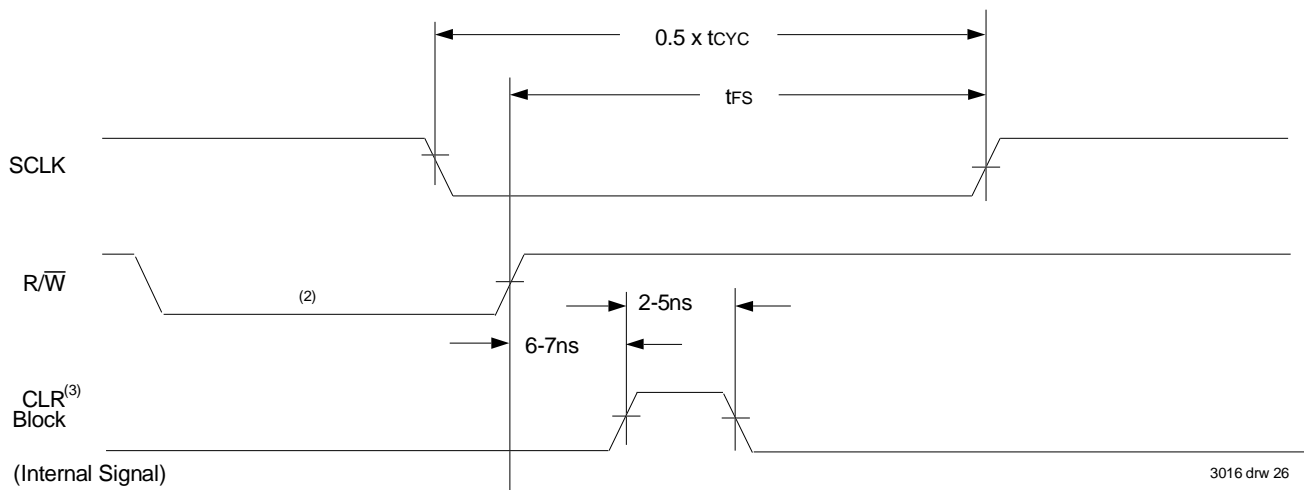
NOTES:

1. 'D0' represents data input for Address=0, 'D1' represents data input for Address=1, etc.
1. If $\overline{\text{CNTEN}} = V_{IL}$ then 'D1' would be written into 'A1' at this point.
3. Data output is available at a t_{CD} after the $\overline{\text{SRW}} = V_{IH}$ is clocked. The $\overline{\text{RST}}$ sets $\overline{\text{SRW}} = \text{LOW}$ internally and therefore disables the output until the next clock.
4. $\overline{\text{SCE}} = V_{IL}$ throughout all cycles.
5. If $\overline{\text{CNTEN}} = V_{IL}$ then 'D1' would be clocked out (read) at this point.
6. $\overline{\text{SRW}} = V_{IL}$.

Random Access Port - Reset Timing



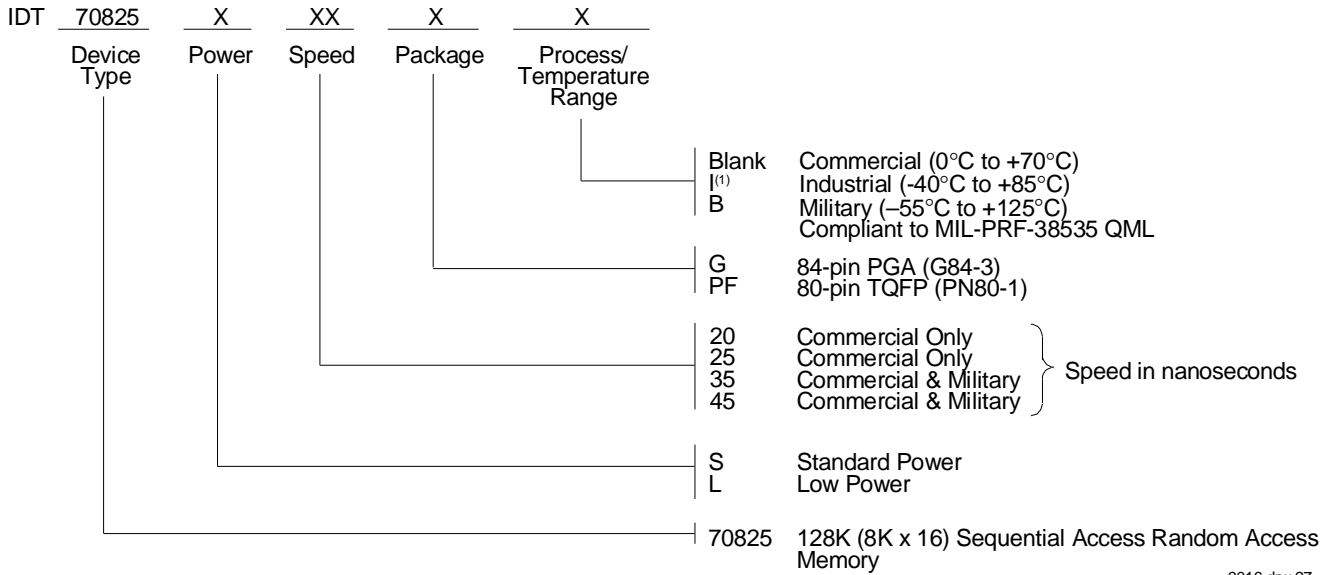
Random Access Port Restart Timing of Sequential Port⁽¹⁾



NOTES:

1. The sequential port is in the STOP mode and is being restarted from the random port by the Bit 4 Counter Release (see Case 5).
2. "0" is written to Bit 4 from the random port at address $[A_2 - A_0] = 100$, when $\overline{CMD} = V_{IL}$ and $\overline{CE} = V_{IH}$. The device is in the Buffer Command Mode (see Case 5).
3. CLR is an internal signal only and is shown for reference only.
4. Sequential port must also prohibit $\overline{SR/W}$ or \overline{SCE} from being LOW for t_{WERS} and t_{RSRC} periods, or SCLK must not toggle from LOW-to-HIGH until after t_{RSRC} .

Ordering Information



3016 drw 27

NOTE:

- Industrial temperature range is available.
 For specific speeds, packages and powers contact your sales office.

Datasheet Document History

- 1/27/99: Initiated datasheet document history
 Converted to new format
- 6/4/99: Changed drawing format
- 11/10/99: Replaced IDT logo
- 4/18/00: Page 3 Changed "Clock" to "Inputs/Outputs" in Random pin description table
 Added "Outputs" in Sequential pin description table
 Changed ±200mV to 0mV in notes



CORPORATE HEADQUARTERS
 2975 Stender Way
 Santa Clara, CA 95054

for SALES:
 800-345-7015 or 408-727-6166
 fax: 408-492-8674
 www.idt.com

for Tech Support:
 831-754-4613
 DualPortHelp@idt.com

The IDT logo is a registered trademark of Integrated Device Technology, Inc.



LittleDiode supplies new, hard to find or obsolete electronic components and semiconductors all over the world.

With over two million different components listed you are sure to find the part you need.

Feel free to visit us today at our online store:

LittleDiode.com

Looking forward to providing you with the best possible service.