



KEY FEATURES

- One chip ATM User Network Interface for 155.52 Mbps/ 51.84Mbps operating speed.
- Full implementation of the SONET/SDH criteria according to Bellcore GR-253-CORE and ITU-T G.709, G.783.
- Full implementation of the ATM physical layer according to CCITT I.432 and ATM Forum User Network Interface Specification.
- Full-duplex 155.52 Mbps STS-3c/STM-1 or 51.84 Mbps STS-1 data with built-in clock/data recovery and clock synthesis.
- Supports 4-cell PHY FIFO buffers for both transmit and receive directions with parity.
- Provides GFC bits insertion and extraction.
- UTOPIA Level 1 and Level 2 Interface.

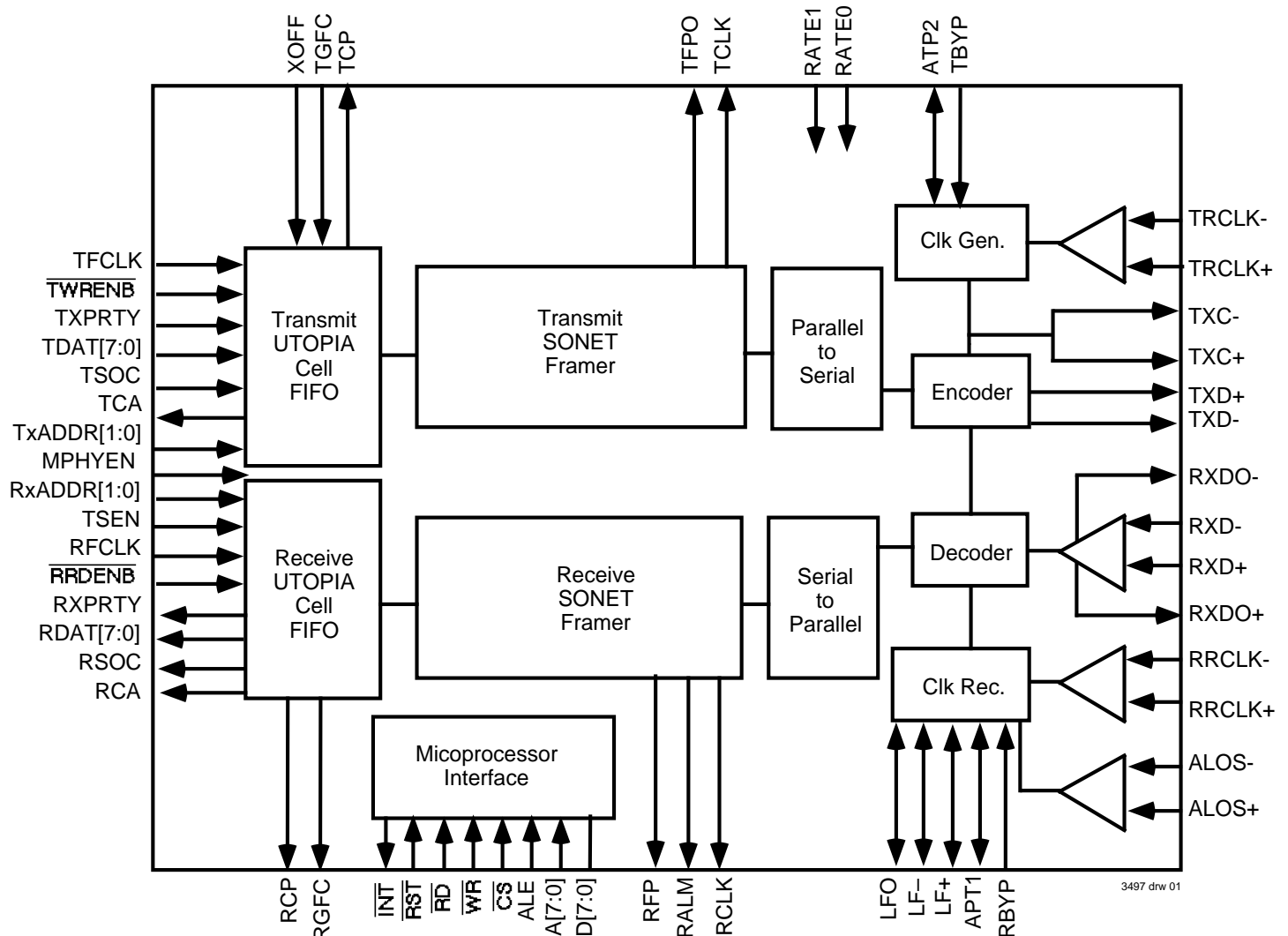
- Supports up to 4 PHYs for Multi-PHY connections with 2-bit address and 8-bit data using UTOPIA 2 protocol.
- Provides an 8-bit microprocessor bus interface for configuration, control and monitoring.
- Low power CMOS
- 128 pin PQFP Package (14 mm x 20 mm).

DESCRIPTION

The IDT77155 is a member of IDT's SWITCHStAR™ family of products for Asynchronous Transfer Mode (ATM) networks.

The IDT77155 is an integrated circuit that provides the SONET/SDH processing and ATM mapping functions of a 155 Mbps/51 Mbps ATM User Network Interface. Provides full compliance with SONET/SDH requirements and ATM Forum

SYSTEM-LEVEL FUNCTIONAL BLOCK DIAGRAM



3497 drw 01

NICSIAR is a trademark and the IDT logo is a registered trademark of Integrated Device Technology, Inc.

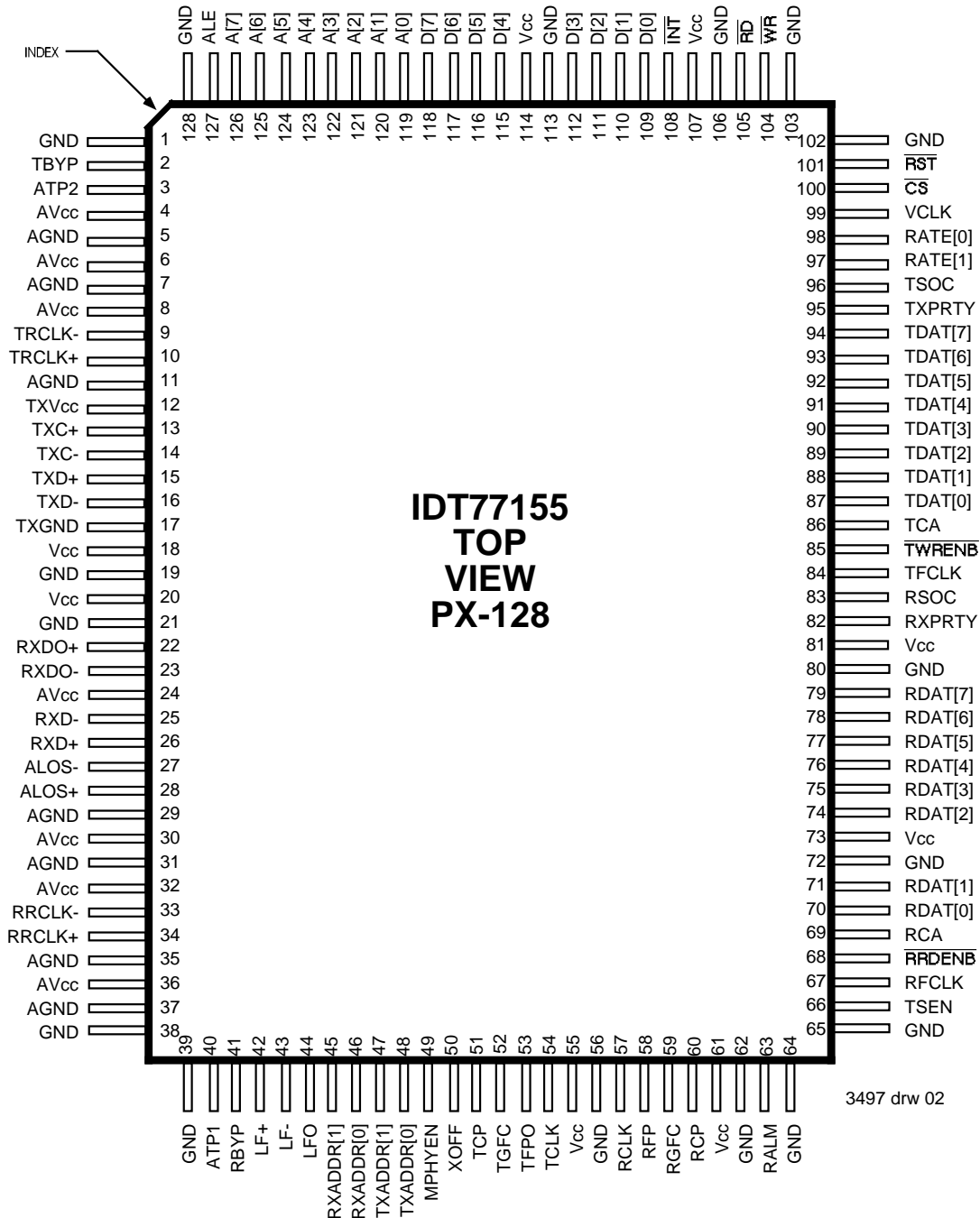
User Network Interface specifications.

The IDT77155 provides both Transmission Convergence (TC) and Physical Media Dependent (PMD) sublayer functions of a 155.52 Mbps/51.84 Mbps ATM PHY suitable for ATM networks. The SONET/SDH interface provides the SONET/SDH overheads demultiplex and multiplex processing functions. The UTOPIA interface provides standardized

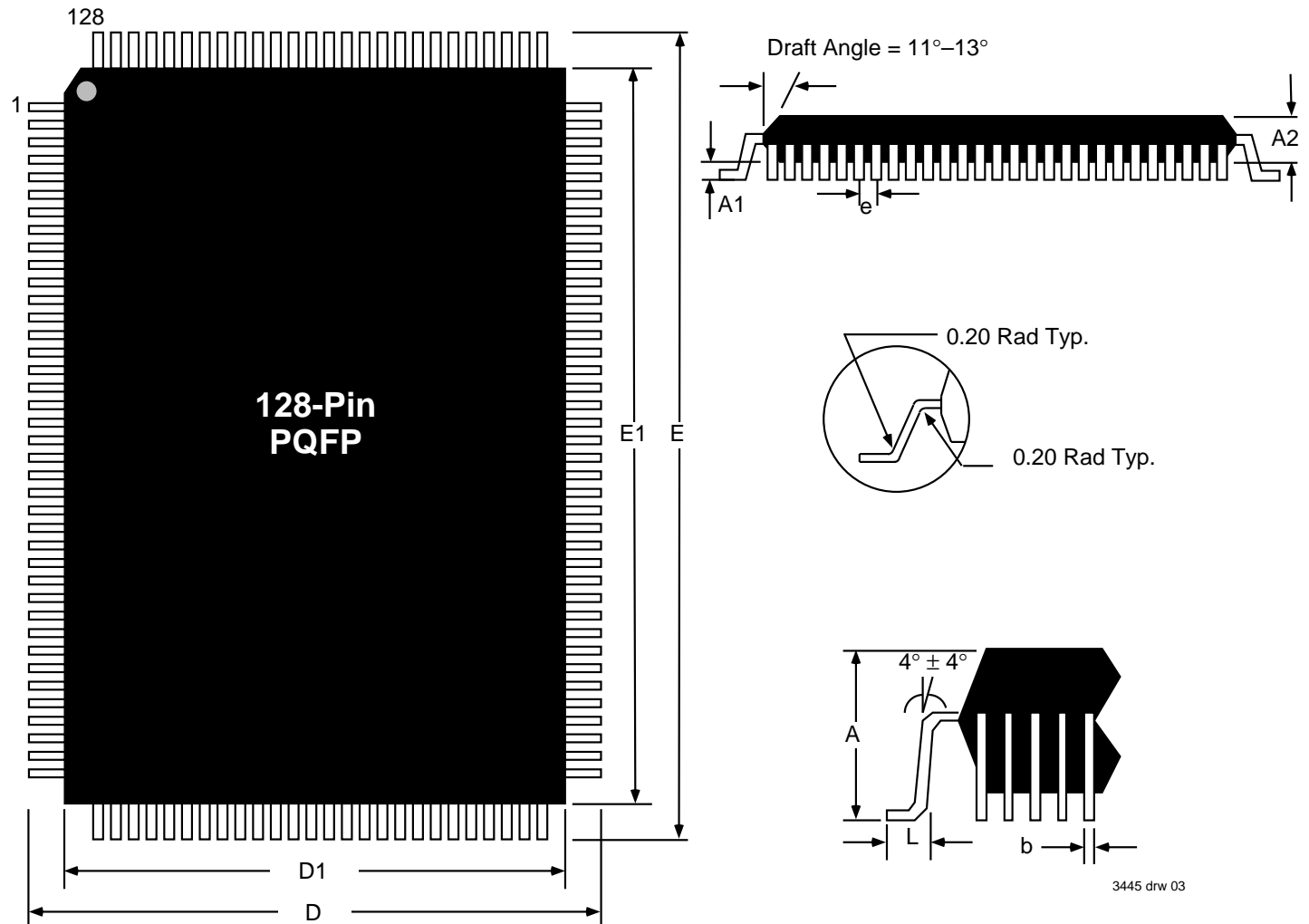
control and communications to other components, such as Segmentation and Reassembly (SAR) controllers and ATM switches.

The IDT77155 is fabricated using state-of-the-art CMOS technology, providing the highest levels of integration, performance and reliability, with the low-power consumption characteristics of CMOS.

PACKAGE PINOUT



PACKAGE DIMENSIONS



DIMENSIONS

128-PIN PQFP

Dimension Letter	Tolerance (mm)	Dimension (mm)
A	Max.	3.30
A1	±.10	0.35
A2	±.17	2.70
D	±.25	17.20
D1	±.10	14.00
E	±.25	23.20
E1	±.10	20.00
L	±15	0.75
e	Basic	0.50
b	.05	0.22

PIN DESCRIPTIONS

Symbol	Name	I/O	Description
A0-A7	Address	I	Address bus to select specific registers in the register set. The address pin A7 has an integral pull-down resistor. Pin #: A0/119, A1/120, A2/121, A3/122, A4/123, A5/124, A6/125, A7/126
AGND	Analog Ground	G	These pins should be physically isolated from the other ground pins. Pin #: 5, 7, 11, 29, 31, 35, 37
ALE	Address Latch Enable	I	Latches the address bus when low, and is transparent when high. It allows interfacing to a multiplexed address/data bus. ALE has an integral pull-up resistor. Pin #: 127
ALOS+ ALOS-	Analog Loss of Signal	I	Differential inputs indicate a loss of receive signal power. When ALOS+/- is asserted, data on the RXD+/- inputs is squelched and the receive data/clock recovery PLL switches to the reference clock. ALOS+/- has an effect only when RBYP is disabled. These inputs must be dc-coupled. Pin #: ALOS+ 28, ALOS- 27
ATP1	Test pin	I	Test pin for the transmit clock synthesis logic. When asserted, the TNB output of the clock synthesis block is reflected on the LFO pin. ATP1 has an integral pull-down resistor. Pin #: 40
ATP2	Test pin	I	Test pin for the receive clock/data recovery logic. When asserted, the CNB output of the clock recovery block is reflected on the LF-pin. ATP2 has an integral pull-down resistor. Pin #: 3
AVcc	Analog Power	P	These power pins should be physically isolated from the other power pins and connected to a well coupled 5v dc source. Pin #: 4, 6, 8, 24, 30, 32, 36
$\overline{\text{CS}}$	Chip Select	I	Active low chip select to access registers. Pin #: 100
D1-D7	Data	I/O	Bidirectional data bus for register access during register reads and writes. Pin #: D0/109, D1/110, D2/111, D3/112, D4/115, D5/116, D6/117, D7/118
GND	Ground	G	Core, Ring and Thermal Grounds. Pin #: 1, 19, 21, 38, 39, 56, 62, 64, 65, 72, 80, 102, 103, 106, 113, 128
$\overline{\text{INT}}$	Interrupt	O	Open drain interrupt signal which goes low when an interrupt source is active and unmasked open from within the chip. This signal is cleared by appropriate reads to the interrupt registers. INT is an open-drain output. Pin #: 108
LF+ LF-	Loop Filter	O	Special pin to output CAP voltage of the receive data/clock recovery logic when ATP2 is enabled. Reference clock signal of the receive data/clock recovery logic. Pin #: LF+/42, LF-/43
LFO	Special	O	Special pin to output CAP voltage of the transmit clock synthesis logic when ATP1 is enabled. Pin #: 44
MPHYEN	Multi-phy Enable	I	When asserted, the multiphy enable signal converts the UTOPIA interface to be fully compliant with the UTOPIA level-2 specification. In this mode, the TXADDR[1:0] and RXADDR[1:0] bits determine the address of the device to be addressed. The default operation of the chip is in single-phy UTOPIA level-1 mode. MPHYEN pin has an integral pull-down resistor. Pin #: 49
RALM	Receive Alarm	O	Output is asserted if line alarm indication signal (LAIS), path alarm indication signal (PAIS), loss of signal (LOS), loss of frame (LOF), or loss of cell delineation (LOC) is detected in the receive logic. RALM is updated on the rising edge of RCLK. Pin #: 63
RATE0 RATE1	Line Rate	I	RATE inputs select the frame format and line rates for both the transmit and receive functions <u>RATE(1:0)</u> 11 155.52 Mb/s, STS-3c / STM-1 10 51.84 Mb/s, STS-1 0X Reserved The RATE inputs have integral pull-up resistors, so the default is STS-3c Pin #: RATE0/98, RATE1/97

PIN DESCRIPTIONS (CONTINUED)

Symbol	Name	I/O	Description
RBYP	Receive Bypass	I	Active high RBYP input disables clock recovery. If enabled, the receive different serial data RXD+/- is sampled on the rising edged of the receive differential reference clock RRCLK+/- . If RBYP is disabled, the receive clocks are recovered from RXD+/- bit stream. RBYP has an integral pull down resistor. Pin #: 41
RCA/ RXEMPTY	Receive Cell Available	O	This signal is asserted to indicate either 0 or a maximum of 4 morebytes are present in the tristate receive FIFO. The indication of the receive FIFO level is programmable, as is the polarity of this signal. Signal is updated on the rising edge of RFCLK. The RCA signal is tristated in UTOPIA level-2 mode (MPHYEN asserted) and driven as per the multi-phy protocol. Pin #: 69
RCLK	Receive Clock	O	Provides a timing reference, and is a divide-by-8 version of tri-covered clock when RBYP is disabled or RRCLK+/- when RBYP is enabled. Pin #: 57
RCP	Receive Cell	O	Receive GFC pulse indicates the start of the four generic flow control bits (GFC) in the RGFC Pulse output. RCP is coincident with the most significant GFC bits. RCP is updated on the rising edge of RCLK. Pin #: 60
RD	Read	I	Active low read signal to read contents of addressed register. The data bus is driven by the contents of the addresses register when the read signal is asserted along with the chip select (CS) signal. Pin #: 105
RDAT0- RDAT7	Receive Data	O	The receive cell data to the ATM layer from the receive FIFO. This is updated on the rising edge of RFCLK. RDAT[7:0] is tristated if TSEN is asserted or if MPHYEN is asserted. In UTOPIA single-phy mode, it is driven if RRDENB is asserted (TSEN also asserted) or always driven if TSEN is low. In UTOPIA multi-phy mode, RDAT[7:0] is driven following the level-2 protocol. Pin #: RDAT0/70, RDAT1/71, RDAT2/74, RDAT3/75, RDAT4/76, RDAT5/77, RDAT6/78, RDAT7/79
RFCLK	Receive FIFO Clock	I	The receive ATM clock from the ATM layer <= 40 MHz. The start of cell indication, the transmit data, and the transmit data parity signals are updated on the rising edge of this clock. RRDENB is sampled on the rising edge of this clock. Pin #: 67
RFP	Receive Frame Pulse	O	An 8 KHz signal synchronized to RCLK. It is pulse high for one clock every 2430 RCLK cycles for STS-3c or every 810 RCLK cycles for STS-1. It is updated on the rising edge of RCLK. Pin #: 58
RGFC	Receive Generic Flow Control	O	Outputs the extracted generic flow control bits (GFC) in a serial stream. The four GFC bits are output for each receive cell, and the first of the four bits is coincident with the RCP output, RGFC is low until cell delineation is achieved. RGFC is updated on the rising edge of RCLK. Pin #: 59
RRCLK+ RRCLK-	Receive Differential Reference Clock	I	Inputs contain a jitter-free 19.44 MHz or a 6.48 MHz reference clock when clock recovery is enabled (RBYP = 0). When RBYP is enabled, RRCLK+/- is nominally a 155.52 MHz or 51.84 MHz 50% duty cycle clock and provides the timing for the internal receive functions. RXD+/- is sampled on the rising edge of RRCLK+/- Pin #: RRCLK+/34/ RRCLK-/33
RRDENB	Receive Read Enable	I	Active low signal from ATM signifying that data will be sampled on RDAT[7:0] in the following clock cycle. When sampled high, RSOC and RDAT[7:0] are tristated, if TSEN is enabled. RRDENB must operate with RFCLK at high rate to prevent receive FIFO overflow and loss of receive data. Pin #: 68

PIN DESCRIPTIONS (CONTINUED)

Symbol	Name	I/O	Description
RSOC	Receive Start of Cell	O	Indication to the ATM layer. This is asserted during the first byte of each tristate cell and is updated on the rising edge of RFCLK. RSOC is tristated if TSEN is asserted or if MPHYEN is asserted. In UTOPIA single-phy mode, it is driven if RRDENB is asserted (TSEN also asserted) or always driven if TSEN is low. In UTOPIA multi-phy mode, RSOC is driven following the level-2 protocol. Pin #: 83
RST	Reset	I	Active low asynchronous reset from the system. RST has integral pull-up resistor. RST need not be asserted to reset the chip. Pin #: 101
RXADDR[0] RXADDR[1]	Receive Address	I	Receive address indicates the ID of the device which should respond to the receive bus signals in UTOPIA level-2 multi-phy mode (when MPHYEN is asserted). It indicates the device which should drive the receive cell to ATM device. The device ID may be programmed in a receive ID register. The device ID register contain a default address of 0. RXADDR[1:0] is sampled on the rising edge of RFCLK. RXADDR[1:0] inputs have integral pull-up resistors. RXADDR[1:0] inputs are ignored when MPHYEN is not asserted. Pin #: RXADDR0/46, RXADDR1/45
RXD+ RXD-	Receive Differential Data Inputs	I	NRZ encoded receive differential data inputs which contain STS-3c or STS-1 data, and sampled on the rising edge of RRCLK+/- if RBYP asserted, else the receive clock are recovered from the data stream. Pin #: RXD+/26, RXD-/25
RXDO+ RXDO-	Receive Differential Data Outputs	O	Sliced versions of the RXD+/- inputs, to allow decision feedback equalization (DFE) to correct baseline wander. These outputs could be programmed to be pure PECL. Defaults is a rail-to-rail swing. Pin #: RXDO+/22, RXDO-/25
RXPRTY	Receive Parity	O	Indicates the parity of the RDAT[7:0] bus. Odd or even parity may be selected. Tristate RXPRTY is enabled on the rising edge of RFCLK, RXPRTY is tristate if TSEN is asserted or if MPHYEN is asserted. In UTOPIA single-phy mode, it is driven if RRDENB is asserted (TSEN also asserted) or always driven if TSEN is low. In UTOPIA multi-phy mode, RXPRTY is driven following the level-2 protocol. Pin #: 82
TBYP	Transmit Bypass	I	Active high transmit bypass input disables clock generator. If enabled, the clock inputs TRCLK+/- become the transmit line lock at 155.52 MHz or 51.84 MHz. If disabled, the transmit clock is synthesized from a 19.44 MHz or 6.48 MHz reference clock on TRCLK+/- . TBYP has an integral pull down resistor. Pin #: 2
TCA/ TXFULL	Transmit Cell Available	O	Signal indicates the availability of a complete cell space in the transmit FIFO. This signal when asserted indicates a maximum of 4 more transmit data writes will be accepted or that the transmit FIFO is full and no more writes will be accepted. The indication of the transmit FIFO level is programmable, as is the polarity of this signal. The FIFO depth at which the TCA signal indicates the unavailability of data space in the FIFO may be set to one, two, three, or four cells. TCA is updated on the rising edge of TFCLK. Pin #: 86
TCLK	Transmit Clock	O	The transmit byte clock provides a timing reference, and is a divide-by-8 version of the synthesized clock when TBYP is disabled or TRCLK+/- when TBYP is enabled. Pin #: 54
TCP	Transmit Cell Pulse	O	Transmit GFC cell pulse indicates the expected place of the transmit GFC bits. TCP is updated on the rising edge of TCLK. Pin #: 51
TDAT[0]- TDAT[7]	Transmit Cell Data	I	The transmit cell data from the ATM layer sampled on the rising edge of TFCLK. It carries the 53 cell bytes. It is considered valid only when the TWRENB signal is asserted. Pin #: TDAT0/87, TDAT1/88, TDAT2/89, TDAT3/90. TDAT4/91, TDAT5/92, TDAT6/93. TDAT7/94
TFCLK	Transmit FIFO Clock	I	The transmit ATM clock from the ATM layer <= 40 MHz. The start of cell indication, the transmit data, the transmit data parity, and the enable signals are sampled on the rising edge of this clock. Pin #: 84

PIN DESCRIPTIONS (CONTINUED)

Symbol	Name	I/O	Description
TFPO	Transmit Framing Position Output	O	Transmit frame pulse is an 8 KHz signal synchronized to TCLK. It is pulsed high for one clock every 2430 TCLK cycles for STS-3c or every 810 TCLK cycles for STS-1. It is updated on the rising edge of TCLK. Pin #: 53
TGFC	Transmit Generic Flow Control	I	Input provides the ability to insert GFC values downstream of the transmit FIFO. The four TCLK periods following TCP output pulse should contain the four GFC bits to be inserted. The GFC enable bits in a configuration register enable the insertion of each bit. By default, the GFC values contain the header information of the default idle/unassigned cell header register. The inserted GFC bits are input into the next immediate cell to be transmitted. TGFC bits are sampled on the rising edge of TCLK. Pin #: 52
TRCLK+ TRCLK-	Transmit Reference Clock	I	Differential input contain a jitter-free 19.44 MHz or a 6.48 MHz reference clock when clock synthesis is enabled (TBYP = 0). When TBYP is enabled, TRCLK+/- is nominally a 155.52 MHz or 51.84 MHz 50% duty cycle clock and provides the timing for the internal transmit functions. It may be left unconnected if loop timing is enabled. Pin #: TRCLK+/10, TRCLK-/9
TSEN	Transmit Enable	I	The tristate enable signal tristates RSOC, RDAT[7:0], and RXPRTY signals. When asserted, RSOC, RDAT[7:0], and RXPRTY are driven only when RRDENB is asserted. When TSEN is low, the signals RSOC, RDAT[7:0], and RXPRTY, are always asserted in single-phy UTOPIA level-1 mode. TSEN has an integral pull-down resistor. Pin #: 66
TSOC	Transmit Start of Cell	I	The transmit start of cell indication from ATM layer. This should be asserted during the first byte of each cell and is sampled on the rising edge of TFCLK. An interrupt is generated while TSOC is asserted at any byte other than the first byte of the transmit 53 byte cell. Pin #: 96
TWRENB	Transmit Write Enable	I	Active low transmit enable signal used to initiate writes to the transmit FIFO from the ATM device. When asserted low, the byte on TDATA[7:0] is written to the transmit FIFO. A complete 53 byte cell must be written to the FIFO before the cell is inserted into the SPE of the transmit frame. Idle/unassigned cells are inserted until a complete cell is available for transmission. Pin #: 85
TXADDR[0] TXADDR[1]	Transmit Address	I	Indicates the ID of the device which should respond to the transmit bus signals in transmit bus signals in UTOPIA level-2 multi-phy mode (when MPHYEN is asserted). It indicates the device which should accept the transmit cell from ATM device. The device ID may be programmed in a transmit ID register. The device ID register contain a default address of 0. TXADDR[1:0] is sampled on the rising edge of TFCLK. TXADDR[1:0] inputs have integral pull-up resistors. TXADDR[1:0] inputs are ignored when MPHYEN is not asserted. Pin #: TXADDR0/48, TXADDR1/47
TXC+ TXC-	Transmit Clock	O	Transmit differential line negative output clock is a buffered version of the input differential clock. These outputs could be programmed to be pure PECL. Default is a rail-to-rail swing, If these outputs are not programmed to be PECL, then the outputs are squelched in the STS-3c mode. Pin #: TSC+/13, TSC-/14
TXD+ TXD-	Transmit Data	O	NRZ encoded transmit differential data outputs which contain STS-3c or STS-1 data, and updated on the falling edge of TXC+/- . These outputs could be programmed to be pure PECL. Default is a rail-to-rail swing. Pin #: TXD+/15, TXD-/16
TXPRTY	Transmit Parity	I	Indicates the parity of the TDATA[7:0] bus. Odd or even parity may be selected. TXPRTY is sampled on the rising edge of TFCLK and considered valid only when TWRENB is asserted. TXPRTY has an integral pull-down resistor. A maskable parity error is generated if an error is detected, but the cells with parity errors are not filtered. Pin #: 95
TXVcc	Power	P	Power pin for TXC+/- and TXD+/- outputs. Should be physically isolated from the other power analog pins and connected to a well coupled 5v dc source. Pin #: 12

PIN DESCRIPTIONS (CONTINUED)

Symbol	Name	I/O	Description
TXGND	Ground	G	Ground pin for TXC+/- and TXD+/- outputs. Should be physically isolated from the other ground analog pins. Pin #: 17
Vcc	Power	P	Core and pad ring power connected to a decoupled 5V dc Pin #: 18, 20, 55, 61, 73, 81, 107, 114
VCLK	Vector Clock	I	VCLK is used as a test mode input to the chip. It should be asserted only when testing the chip on a tester. It shortens the count values for most receive error counters to enable the testing to be done in a reasonable amount of time. VCLK has an intergral pull-down resistor. Pin #: 99
\overline{WR}	Write	I	Active low write signal to update registers. The data bus contents are latched into the addressed register on the rising edge of the write signal when the chip select (CS) is asserted. Pin #: 104
XOFF	Transmit Off	I	Transmit off signal prevents the insertion of cells from the transmit FIFO into the transmit frames. If asserted, idle/unassigned cells only are transmitted irrespective of the state of the transmit FIFO. XOFF is an asynchronous signal and has an integral pull-down resistor. Pin #: 50

Notes

- All inputs operate at TTL levels except the PECL inputs.
- RDAT[7:0], RXPRTY, RCP, RGFC, RSOC, TCA, TCLK, RCLK, TCP outputs have an 8 ma drive capability, while all other digital outputs have 4 ms drive.
- All analog power/ground pins should be isolated from the digital power/ground pins, preferably with separate power supplies. It is recommended to have separate ground planes on the board also.

ABSOLUTE MAXIMUM RATINGS⁽¹⁾

Symbol	Rating	Commercial	Unit
VTERM	Terminal Voltage with respect to DVGND	-0.5 to +7.0	V
TA	Operating Temperature	0 to +70	°C
TBIAS	Temperature Under Bias	-55 to +125	°C
TSTG	Storage Temperature	-55 to +125	°C
IOUT	DC Output Current	50	mA

- NOTE:** 3139 tbl 02
- Stresses greater than those listed under ABSOLUTE MAXIMUM RATINGS may cause permanent damage to the device. This is a stress rating only and functional operation of the device at these or any other conditions above those indicated in the operational sections of this specification is not implied. Exposure to absolute maximum rating conditions for extended periods may affect reliability.

CAPACITANCE (TA = +25°C)

Symbol	Parameter	Conditions	Max.	Unit
C _{IN} ⁽¹⁾	Input Capacitance	V _{IN} = 0V	10	pF
C _{OUT} ⁽¹⁾	Output Capacitance	V _{OUT} = 0V	10	pF

- NOTE:** 3139 tbl 05
- Characterized values, not currently tested.

DC ELECTRICAL CHARACTERISTICS

Symbol	Parameter	Min.	Typ.	Max.	Unit
V _{CC}	Digital Supply Voltage	4.5	5.0	5.5	V
GND	Digital Ground Voltage	0	0	0	V
V _{ILp}	PECL Input Low Voltage	V _{CC} -1.8V	—	V _{CC} -1.6V	V
V _{IHp}	PECL Input High Voltage	V _{CC} -1.0V	—	V _{CC} -0.8V	V
V _{OLp}	PECL Output Low Voltage	V _{CC} -1.8V	—	V _{CC} -1.6V	V
V _{OHp}	PECL Outut High Voltage	V _{CC} -1.0V	—	V _{CC} -0.8V	V
V _{IL}	TTL Input Low Voltage	—	—	0.8	V
V _{IH}	TTL Input High Voltage	2.0	—	—	V
V _{OL}	TTL Output Low Voltage	—	—	0.4	V
V _{OH}	TTL Output High Voltage	2.4	—	—	V
AV _{CC}	Analog Supply Voltage	4.5	5.0	5.5	V
AGND	Analog Ground Voltage	0	0	0	V
I _{DD1}	Power Supply Current	—	—	85 (155.52Mbps) 55 (51.84Mbps)	mA
I _{DD2}	Average Standby Current	—	—	100	μA

TABLE 1. B2 BER DETECTION CONFIGURATION TABLE

Desired BER trigger	Desired detection time	Denominator multiple	Window Length	BIP Threshold	Calculated BER trigger	Calculated detection time
1e-3	0.008s	0	64	19	0.988e-3	0.008s
1e-4	0.013s	0	104	2	1.040e-4	0.013s
1e-5	0.100s	20	38	4	0.991e-5	0.0998s
1e-6	1.000s	989	8	19	0.998e-6	0.990s
1e-7	10.00s	7849	10	15	0.994e-7	9.810s
1e-8	83.00s	41615	16	7	0.875e-8	83.23s
1e-9	667.0s	52313	102	1	0.994e-9	666.99s

FUNCTIONAL DESCRIPTION

CLOCK RECOVERY

The clock recovery Block recovers the clock from the receiving serial data stream. This block can be selected to utilize reference clocks at 6.48 MHz or 19.44 MHz. This unit provides a status bit to indicate whether it is locked to data or the reference clock. The clock recovery unit also provides a loss of signal (LOS) input and a diagnostic loopback.

The PLL originally locks to the reference clock. The PLL will lock to the data when the frequency of the recovered clock is within 244 ppm of the reference clock. Once in data lock, the PLL switches to the reference clock if there is no data transition for an 80 bit period or the recovered clock drifts for over 244 ppm of the reference clock. The transmit clock could be derived from the recovered clock (loop timing) by configuration.

SERIAL TO PARALLEL

This block performs the serial to parallel conversion of incoming bit serial data into byte serial data.

RECEIVE SONET FRAMER

The Receive SONET Framer performs frame synchronization, descrambling, pointer interpretation, SONET section, line, and path overhead processing, alarm and performance monitoring functions.

The framer determines the out-of-frame/in-frame status for the STS-3c/STS-1 data by checking the framing pattern (A1, A2). Out-of-frame is declared when four consecutive frames with errored framing patterns are received. While out-of-frame, the framer searches for the correct framing pattern, in-frame is declared upon detecting two consecutive error-free framing patterns.

The Loss Of Frame (LOF) status is determined by monitoring the out-of-frame/in-frame conditions. This block provides the 3 ms out-of-frame timer and in-frame timer. The in-frame timer accumulates when the out-of-frame is absent; it stops accumulating and is reset to zero when the out-of-frame is present. The out-of-frame timer accumulates when the out-of-frame is present; it stops accumulating when the out-of-frame is terminated. For the intermittent out-of-frame conditions, it is only reset to zero when the out-of-frame is absent continuously for 3 ms (i.e., the in-frame timer reaches 3 ms).

The LOF is declared when the accumulated out-of-frame timer reaches 3 ms. Once detected, the LOF defect is terminated when the in-frame timer reaches 3 ms.

The Loss Of Signal (LOS) Block checks the incoming scrambled data availability. LOS is declared when $20 \pm 3 \mu\text{s}$ of all-zero pattern is detected. Loss of signal is cleared when two consecutive valid framing patterns is detected, and during the intervening time (one frame), no all-zero pattern qualifying as LOS defect exits.

The incoming data stream is descrambled. The scrambling polynomial is $1 + x^6 + X^7$ and the sequence length is 127. The

framing bytes (A1, A2) and the identity bytes (C1) are not descrambled. The descrambling function can be disabled by a register control bit.

The B1 BER is monitored by the incoming section BIP-8 error detection code (B1). The BIP-8 code is calculated over all bits of the complete STS-3c or STS-1 frame before descrambling by bit interleaved parity calculation using even parity. And obtains errors by comparing the calculated BIP-8 code with the BIP-8 code extracted from the B1 byte of the next incoming frame. Up to 64,000 (8 x 8000) bit errors can be detected for one second.

One 16-bit saturating counter is provided to accumulate these BIP errors. This counter is to be read via microprocessor interface at least once per second for performance monitoring.

The B2 BER is monitored by the incoming Line BIP-8/24 error detection code (B2). The BIP-8/24 code is calculated over all bits of the line overhead and synchronous payload envelope after descrambling by bit interleaved parity calculation using even parity. And obtains errors by comparing the calculated BIP-8/24 code with the BIP-8/24 code extracted from the B2 byte of the next incoming frame. Up to 192,000 (24 x 8000) bit errors can be detected for one second. One 20-bit saturating counter is provided to accumulate these BIP errors. This counter is to be read via microprocessor interface at least once per second for the performance monitoring. The defect detection for B2 EBER is also provided.

The Receive B2 BER Detection Algorithm provides a method for detection of a preset Bit Error Rate (BER) in the incoming SONET/SDH data stream. Upon detection of the preset level, the IDT77155 can optionally assert its interrupt pin and provide status information. The algorithm provides two identical, programmable BER detection blocks that will allow the user to detect BER by setting two independent BER thresholds. This can be used to provide the "warning" and "fail" thresholds needed to comply with the SONET/SDH specification for Automatic Protection Switching (APS).

To detect the BER for "warning" and "fail" level. Three configuration registers are provided respectively.

Denominator (DM) register: 16-bit register, Number of frames (frames = DM + 1) that are used to compute the BER.

Window Length (WL) register: 8-bit register, Length of the sliding window in frames.

BIP Threshold (BT) register: 8-bit register, Value for the BIP threshold.

The Denominator, Window Length, and BIP Threshold registers are configured according to Table 1 for "warning" and "fail" BER detection respectively. The first two rows are "fail" levels, and the remaining are "warning" levels.

The Line Alarm Indication Signal (AIS) is detected in the incoming data stream. Line AIS is declared when five consecutive frames "111" pattern in bits 6-8 of K2 byte are detected. Line AIS is removed when five consecutive frames

of any pattern other than "111" in bits 6-8 of K2 byte are detected.

For SDH applications, Line AIS is declared when three consecutive frames "111" pattern in bits 6-8 of K2 byte are detected. Line AIS is removed when three consecutive frames of any pattern other than "111" in bits 6-8 of K2 byte are detected. The selection of SONET or SDH detection criteria is set by control register.

The Line Remote Defect Indication (RDI) is detected in the incoming data stream. Line RDI is declared when five consecutive frames of "110" pattern in bits 6-8 of K2 byte are detected. Line RDI is removed when five consecutive frames of any pattern other than "110" in bits 6-8 of K2 byte are detected.

For SDH applications, Line RDI is declared when three consecutive frames of "110" pattern in bits 6-8 of K2 byte are detected. Line RDI is removed when three consecutive frames of any pattern other than "110" in bits 6-8 of K2 byte are detected. The selection of SONET or SDH detection criteria is set by control register.

K1 and K2 bytes are extracted if new identical values are received for 3 consecutive frames for Automatic Switch Protection (APS) use.

The Line Far End Block Error (LFEBE) can be monitored by extracting the 8-bit FEBE from the incoming third Z2 byte. the error count range is from 0 to 24 errors. Any other value is counted as zero error. Up to 192,000 (24x 8000) bit errors can be detected for one second,

One 20-bit saturating counter is provided to accumulate these FEBE errors. This counter is to be read and reset via microprocessor interface.

The Pointer Interpreter interprets the incoming pointer byte (H1, H2) to determine the location of the J1 byte (path overhead) in the incoming STS-3c or STS-1 data stream.

The Pointer Interpreter detects loss of pointer (LOP) and path AIS in the incoming STS-3c or STS-1 data stream.

LOP is declared when eight consecutive invalid pointers or eight consecutive NDF enabled indications are detected. LOP is removed when three consecutive same valid pointers with normal NDF are detected.

Path AIS is declared when three consecutive "all-one" pattern in H1 and H2 byte are detected. Path AIS is removed when three consecutive same valid pointers with normal NDF are detected or when a valid pointer with NDF enabled is detected.

The B3 BER is monitored by the incoming Path BIP-8 error detection code (B3). The BIP-8 code is calculated over all bits of the synchronous payload envelope after descrambling by bit interleaved parity calculation using even parity. And obtains errors by comparing the calculated BIP-8 code with the BIP-8 code extracted from the B3 byte of the

next incoming frame. Up to 64,000 (8 x 8000) bit errors can be detected for one second.

One 16-bit saturating counter is provided to accumulate these BIP errors. This counter is to be read via microprocessor interface at least once per second for performance monitoring.

C2 Mismatch is detected in the incoming data stream. C2 Mismatch is declared when five consecutive frames of the value other than "13h" in C2 byte are detected. C2 Mismatch is removed when five consecutive frames of the value "13h" in C2 byte are detected.

The Path Far End Block Error (PFEBE) can be monitored by extracting the 4-bit FEBE from the incoming path status byte (G1). the error count range is from "0000" to "1000" to represent zero to eight errors. Any other value is counted as zero error. Up to 64,000 (8 x 8000) bit errors can be detected for one second,

One 16-bit saturating counter is provided to accumulate these FEBE errors. This counter is to be read and reset via microprocessor interface.

Path Remote Defect Indication (RDI-P) is detected by checking the bit 5 of path status byte (G1) in the incoming data stream. Path RDI is declared when ten consecutive frames of value "1" in bit 5 of G1 byte are detected. Path RDI is removed when ten consecutive frames of value "0" in bit 5 of G1 byte are detected.

RECEIVE UTOPIA CELL FIFO

The Receive UTOPIA Cell FIFO provides functions for ATM cell delineation, HEC error verification, cell filtering, and ATM cell payload descrambling. This block also provides a four cell deep receive FIFO.

Cell Delineation is for validating the HEC of a cell header by checking with the CRC-8 calculation over first 4 bytes of ATM cell header; the coset value of "55h" can be optionally added to the HEC during validation. HEC validation uses the state machine in CCITT recommendation I.432 and is shown in Figure 1.

The state machine shown in Figure 1 is initialized to the HUNT state in which every byte of ATM 53 byte is checked for a valid HEC. Once correct HEC has been found, cell delineation state machine enters the PRESYNC state that validates HEC on a cell by cell basis. If additional DELTA (value is suggested to be six) consecutive correct HECs are validated, the state machine enters the SYNC state. However, if any incorrect HEC is found in the PRESYNC state, the state machine reverts to HUNT state. Once in SYNC state, it stays in the SYNC state until ALPHA (value is suggested to be seven) consecutive incorrect HECs are detected. HUNT state is entered and the search for a correct HEC on a byte by byte basis resumes.

Cell could be discarded with HEC errors by using HEC

verification while in SYNC state. The HEC verification state machine is shown in Figure 2. The state machine is initialized to “correction mode”. Cells with no HEC errors are passed to the receive FIFO. Any single bit error detected in the incoming cell headers are corrected and the cells are passed. It enters into “detection mode” if any single bit or multi-bit errors in the header are detected. In “detection mode”, all cells with single or multi-bit errors are dropped. Only cells with no errors are passed. When a cell with no HEC error is detected in “detection mode”, it enters back to “correction mode”. However, if seven consecutive cells with errored HEC are received, HUNT state is entered from the “detection mode”.

The ATM Descrambler descrambles the incoming 48 byte cell payload only (header is not descrambled) by using polynomial $x^{43} + 1$. The descrambling function may be disabled.

One 8-bit saturating HEC correctable error counter, one 8-bit saturating HEC uncorrectable error counter, and a 19-bit saturating receive cell counter are provided for ATM Cell performance monitoring .

The HEC correctable error counter accumulates HEC single bit errors in the header. The HEC uncorrectable error counter accumulates HEC multiple bit errors in the header. The receive cell counter accumulates the number of assigned cells. All counters are active only in the SYNC state.

These three counter are to be read via microprocessor interface at least once per second for performance monitoring.

The received GFC bits are output in a serial stream via the GFC Extraction output. GFC bits are extracted for every received cell with the RCP output to indicate the position of the most significant bit. The GFC output may be disabled via the control register or no cell delineation.

The Receive FIFO has four ATM cells depth. It provides FIFO management and the separation of STS-3c or STS-1 timing from ATM layer timing.

The FIFO management functions are to fill the receive four cells FIFO and indicate when cells are ready to be read from the receive FIFO and to detect FIFO overflow and underflow. When overflow, the receive FIFO discards the incoming ATM cells, a maskable interrupt and status register also active for overflow condition. When underflow, the read is ignored.

When FIFO data is read out by RFCLK, the start of cell (RSOC) is active. The cell available status (RCA) is provided to indicate a cell is available in the receive FIFO.

CLOCK SYNTHESIS

The Clock Generator generates the 155.52 or 51.84 MHz transmit clock by locking to a 1/8-frequency reference clock *i.e.*, synthesized from a 19.44 MHz or 6.48 MHz reference clock.

PARALLEL TO SERIAL

This block performs the parallel to serial conversion to

convert the outgoing byte serial data to bit serial data.

TRANSMIT SONET FRAMER

The Transmit SONET Framer provides framing pattern (A1, A2) insertion, scrambling, pointer generation, SONET section, line and path overhead insertion, and alarm signal insertion.

The Framing pattern (A1, A2) and C1 are inserted into outgoing STS-3c or STS-1 data stream. The framing bit error may be insert for diagnostic.

The STS Scrambler scrambles the outgoing data except framing bytes (A1, A2) and identity byte (C1) by the using polynomial $1 + x^6 + x^7$. Scrambling may be disabled via control register. An “all-zero” pattern may be inserted via microprocessor interface after scrambling for diagnostic information.

The outgoing section BIP-8 error detection code (B1) is calculated over all bits of the complete STS-3c or STS-1 frame after scrambling by bit interleaved parity calculation using even parity. The calculated BIP-8 code is then inserted into the B1 byte of the next outgoing frame before scrambling. Corrupted BIP-8 code may be inserted via control register for diagnostic information.

The Line AIS may be set for outgoing data stream by inserting “all-one” pattern into line overhead and Synchronous Payload Envelope (SPE) of STS-3c or STS-1 frame by control register via microprocessor interface.

The Line Remote Defect Indication (RDI) may be set for outgoing data stream by inserting “110” pattern in bits 6-8 of K2 byte to generate Line RDI.

K1 and K2 byte may be inserted for outgoing data stream for automatic switch protection (APS) use.

The outgoing line BIP-8 error detection code (B2) is calculated over all bits of the line overhead and Synchronous Payload Envelope (SPE) of STS-3c or STS-1 frame before scrambling by bit interleaved parity calculation using even parity. The calculated BIP-8 code is then inserted to the B2 byte of the next outgoing frame before scrambling. Corrupted BIP-8 code may be inserted via control register for diagnostic information.

The Line FEBE can be inserted by accumulating detected B2 BIP-8 errors from receive direction into FEBE code of the third Z2 byte for transmit STS-3c frame.

The Pointer Generator generates the pointer (H1, H2) for outgoing STS-3c or STS-1 data stream. The “ss” bits of pointer is programmable for the SDH requirement. The location of start of the Synchronous Payload Envelope (SPE) is according to the value of generated pointer.

The outgoing path BIP-8 error detection code (B3) is calculated over all bits of Synchronous Payload Envelope (SPE) of STS-3c or STS-1 frame before scrambling by bit interleaved parity calculation using even parity. The calculated BIP-8 code is then inserted to the B3 byte of the next outgoing frame before scrambling. Corrupted BIP-8 code may be inserted via control register for diagnostic.

The C2 byte is set as "13h" by default for ATM mapping. Value of C2 may be set by control register via microprocessor.

The Path FEBE can be inserted by accumulating detected B3 BIP-8 errors from receive direction into FEBE code of the path status byte (G1) for transmit STS-3c or STS-1 frame. Path FEBE may be inserted via control register for diagnostic information.

The Path Remote Defect Indication (RDI) may be set for outgoing data stream by inserting "1" into bit 5 of path status byte (G1).

H4 can be inserted by the value, which indicates the offset between H4 byte position and the ATM cell boundary of the first cell at the same row.

Synchronous Payload Envelope (SPE) can be mapped into outgoing STS-3c or STS-1 frame according to the generating pointer.

TRANSMIT UTOPIA CELL FIFO

The ATM Scrambler scrambles the out going 48 byte cell payload only (header is not scrambled) by using polynomial $x^{43} + 1$. The scrambling function may be disabled.

The Idle Cell Generator Block inserts idle/unassigned cells into the transmit cell stream if a complete ATM cell was not written into the transmit FIFO. The GFC, PTI and CLP may be set via control registers. The "all-zero" pattern is inserted into the VCI/VPI of header. HEC of the idle cell is calculated and inserted.

The HEC Generator calculates the CRC-8 code over the first four byte of header and inserts the CRC-8 code into the fifth byte of header. The polynomial $x^8 + x^2 + x + 1$ for HEC generation is used. The coset polynomial $x^6 + x^4 + x^2 + 1$ is added to the residue. A 19-bit saturating transmit cell counter is provided for ATM cell performance monitoring.

The four serial GFC bits are inserted according to the framing pulse of the transmit cell. The value of GFC bits may be set by the control registers.

The Transmit FIFO has four ATM cells depth. It provides FIFO management and the separation of STS-3c or STS-1 timing from ATM layer timing.

The FIFO management functions are to fill the transmit four cells FIFO and indicate when cells are ready to be written into the transmit FIFO and to detect FIFO overflow condition. When the transmit FIFO contains four cells and the upstream device still writes cell into FIFO, the overflow condition will be indicated. A maskable interrupt and status register also active for overflow condition. The write signal and all data writing into FIFO are ignored until there is a space in FIFO.

MICROPROCESSOR INTERFACE

The Microprocessor Interface provides interface logic circuit and the registers for the functions of configuration, monitoring, control and test.

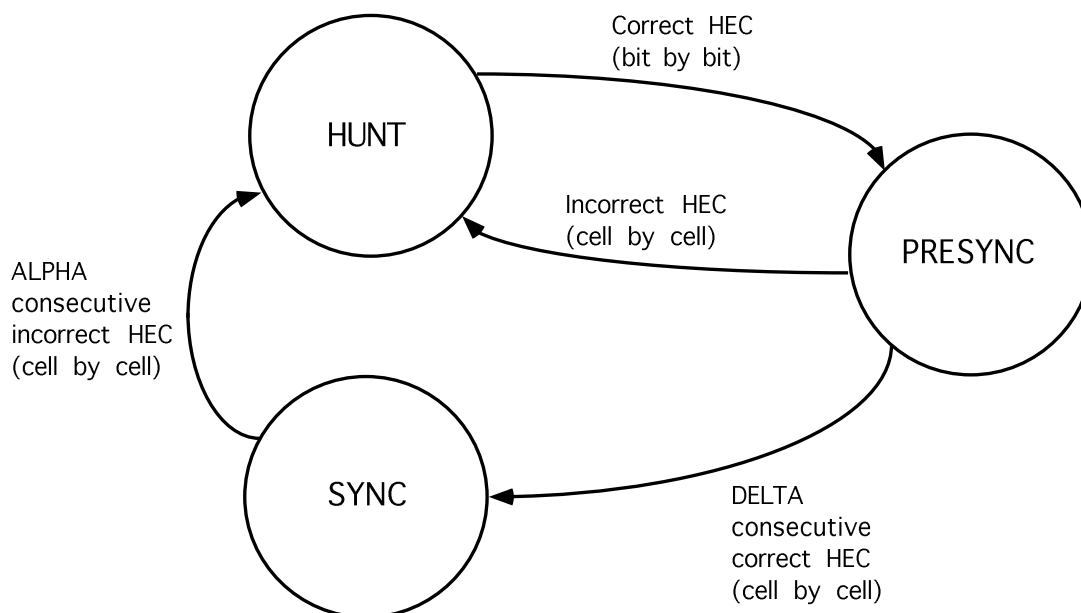


Figure 1. Cell Delineation State Diagram

3497 drw 04

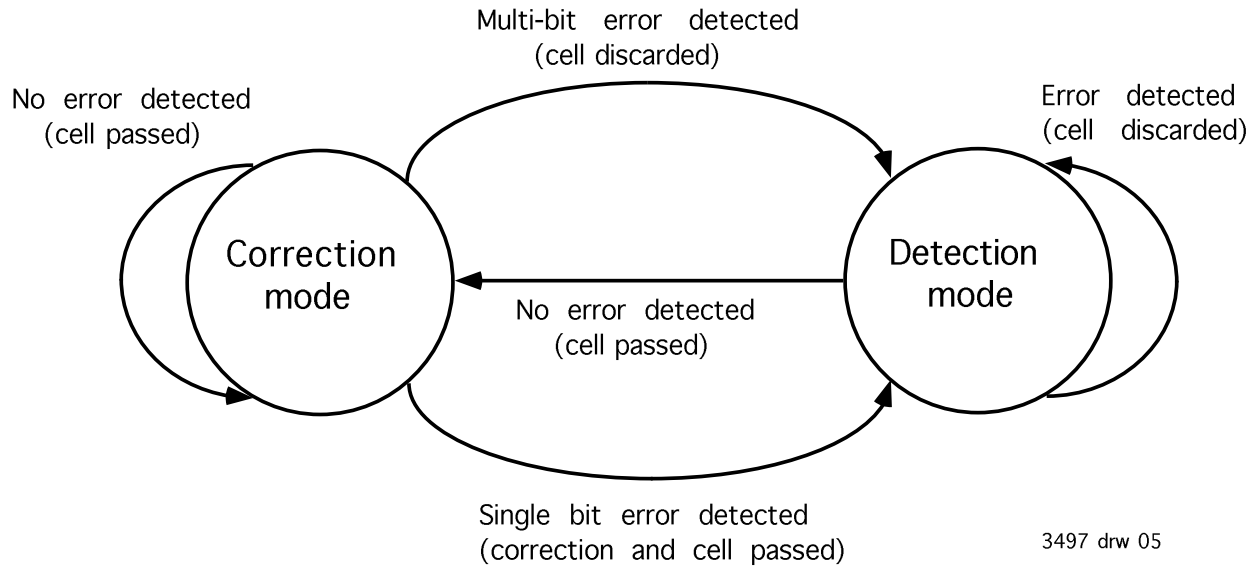


Figure 2. HEC Verification State Diagram

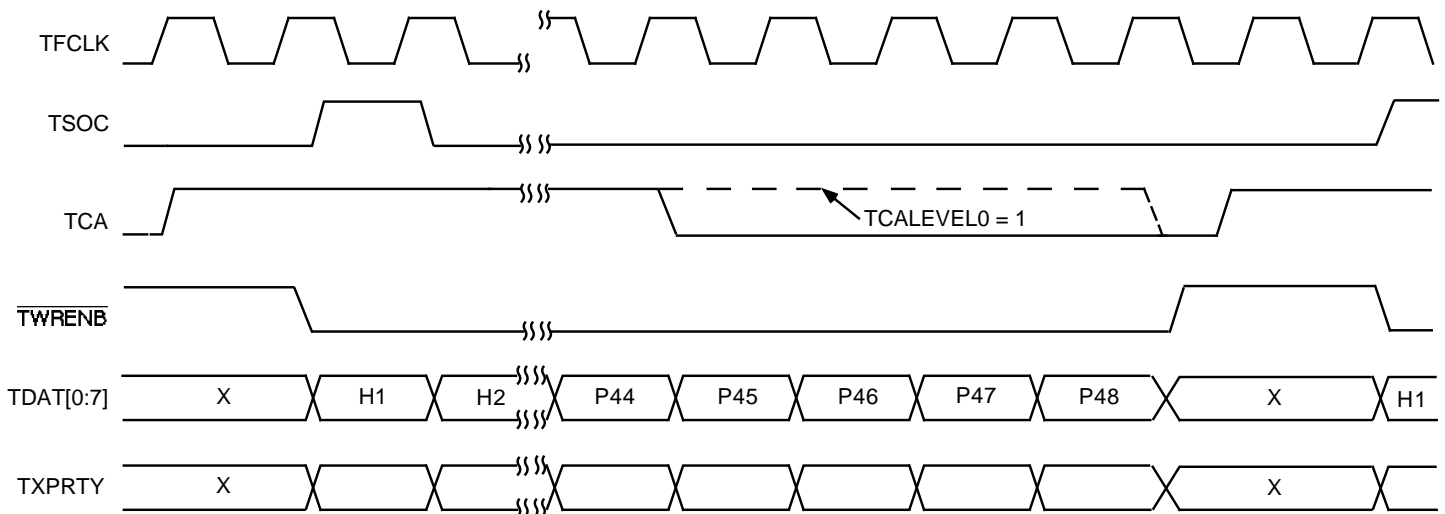


Figure 3. Transmit Waveform for UTOPIA Interface

3497 drw 08

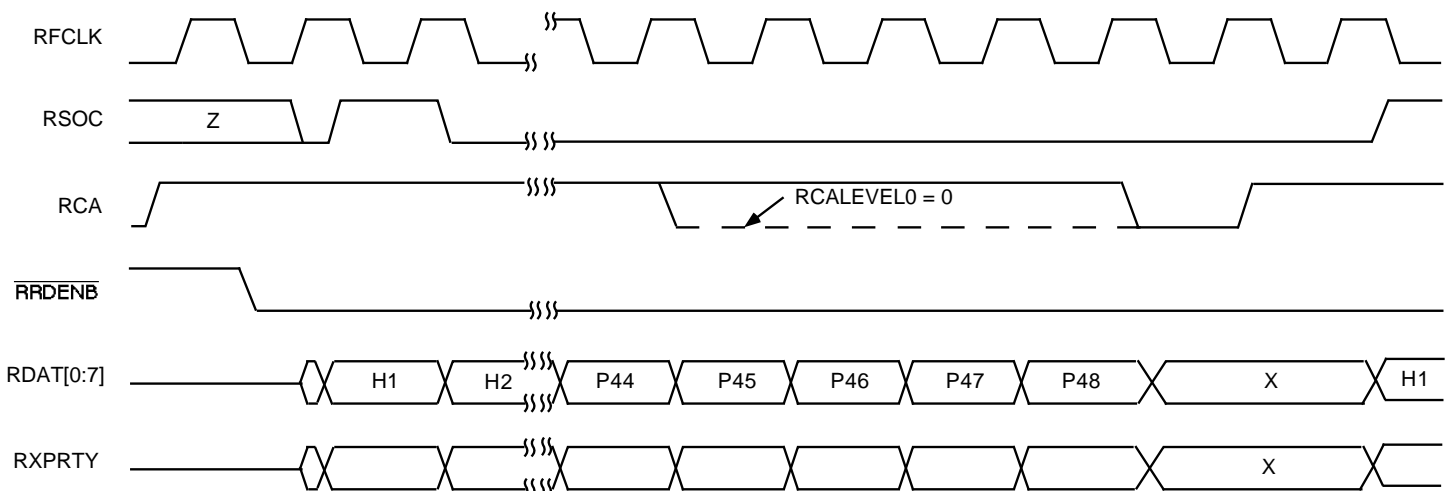


Figure 4. Re-

3497 drw 09

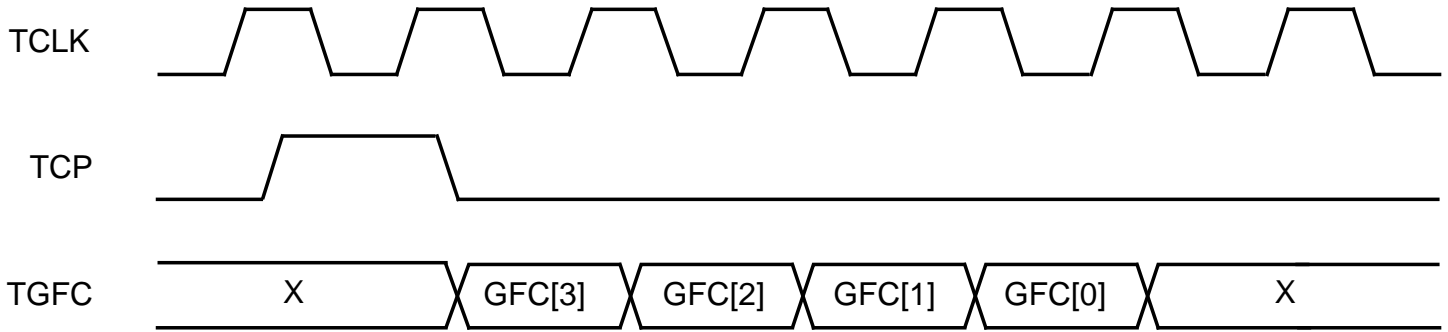


Figure 5. Transmit GFC Serial Link Waveform

3497 drw 10

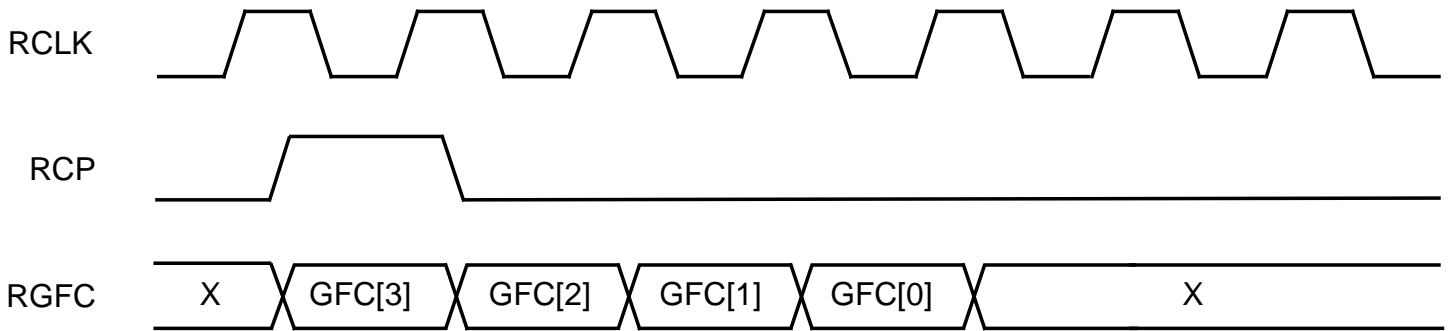


Figure 6. Receive GFC Serial Link Waveform

3497 drw 11

OPERATION MODES

MULTI-PHY OPERATION

Multiple IDT77155s may be connected to common bus when a Multi-PHY system architecture is needed.

Both Transmit and Receive UTOPIA busses, as well as the utility bus, can attach to common busses.

Device selection is controlled via the UTOPIA "enable" control signals (TWRENB, RRDENB) and Multi-PHY addressing signals (TXADDR[1:0], RXADDR[1:0]). In transmit, TWRENB tells the selected device (selected by TXADDR[1:0]) that the data and control signals it sees are to be used for ATM cell transmission. In receive, when RRDENB is not asserted (active low), RDAT[7:0], RXPRTY, RSOC, and RCA are all tri-stated, allowing them to share a common bus. When RRDENB is asserted, the selected device (selected by RXADDR[1:0]) drives these outputs, transferring the data to the upstream hardware.

- **Loopback**

The IDT77155 supports two loopback functions that are enabled by control bits in the control register.

- **Local Loopback**

The local loopback mode provides a connection within the PHY between transmit and receive data. This loopback connects the high speed transmit data and clock to the high speed receive data and clock as shown in Figure 9. Note that while this mode is operating, no data is forwarded to or received from the line interface.

- **Line Loopback**

The line loopback might also be called "remote loopback" since it provides for a means to test the overall system, including the line. The line loopback connects the high speed receive data and clock to the transmit data and clock as shown in Figure 10.

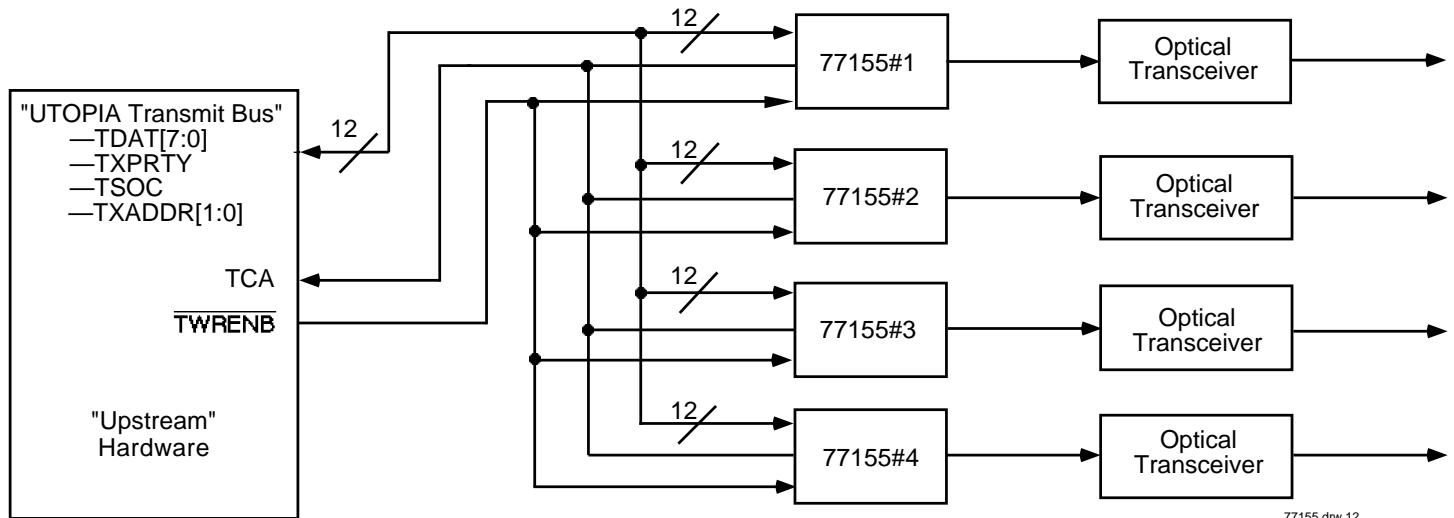


Figure 7. Multi-PHY: Transmit Direction

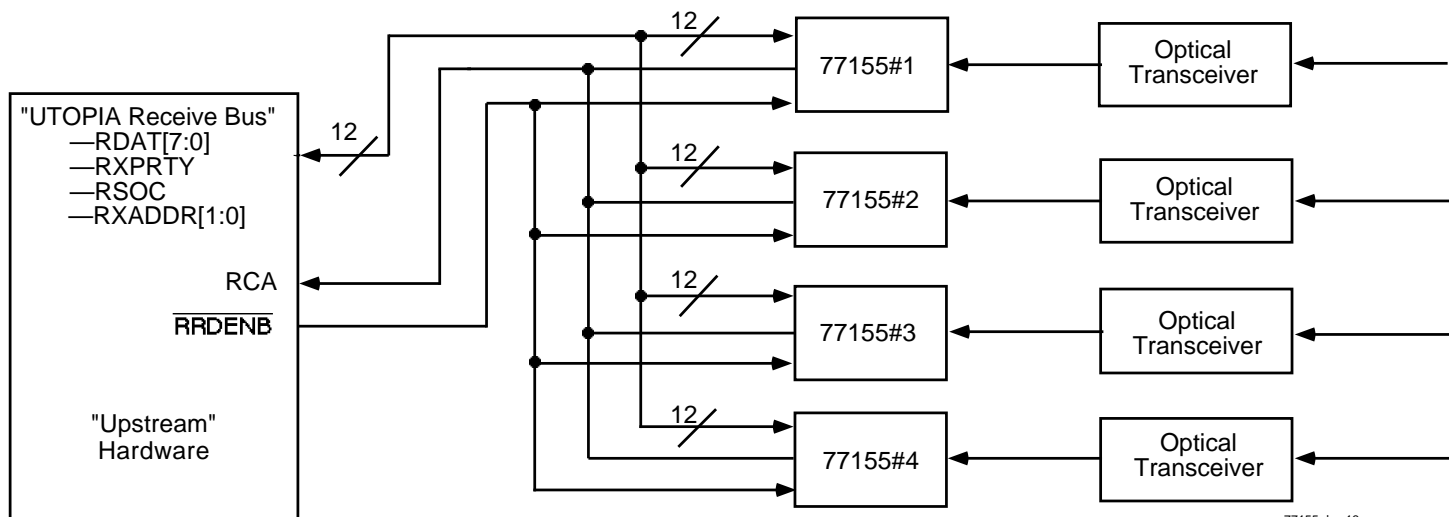


Figure 8. Multi-PHY: Receive Direction

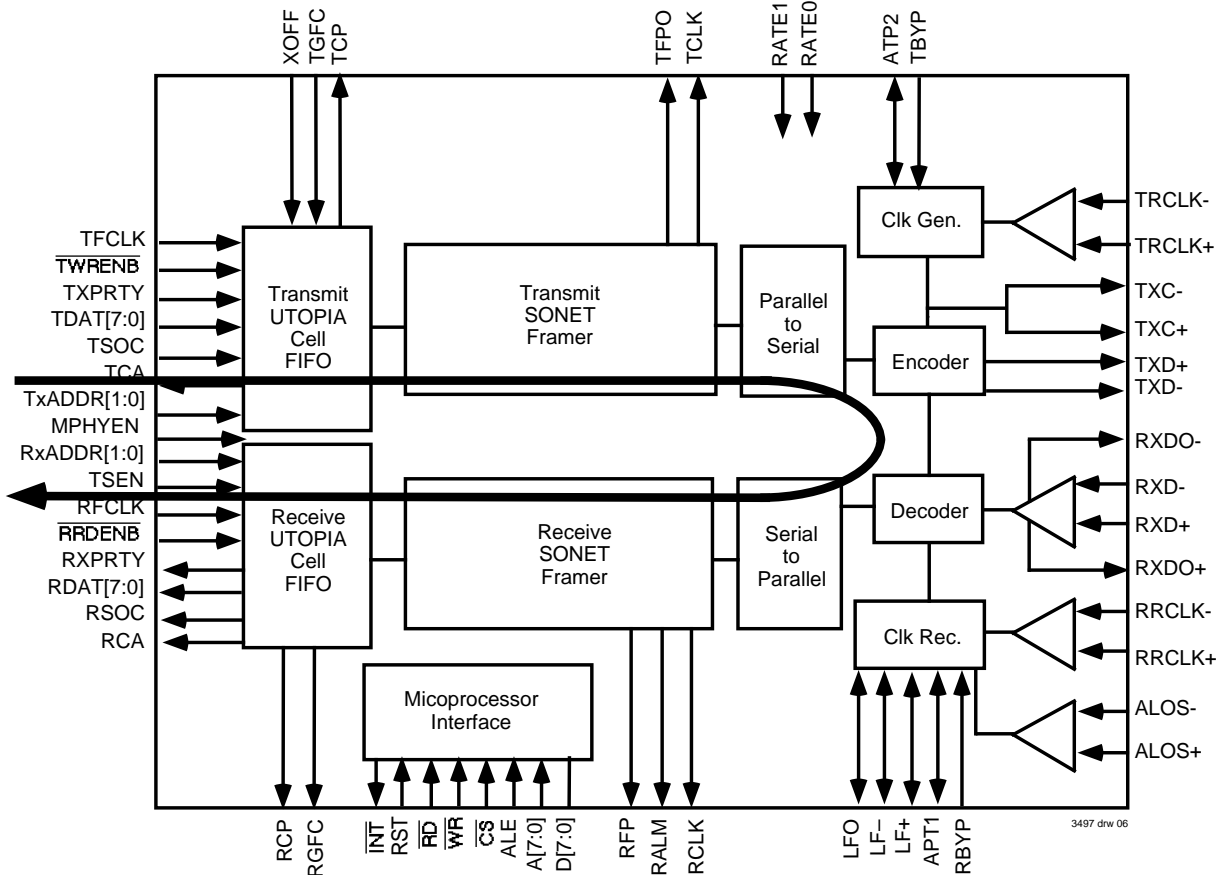


Figure 9. Local Loopback

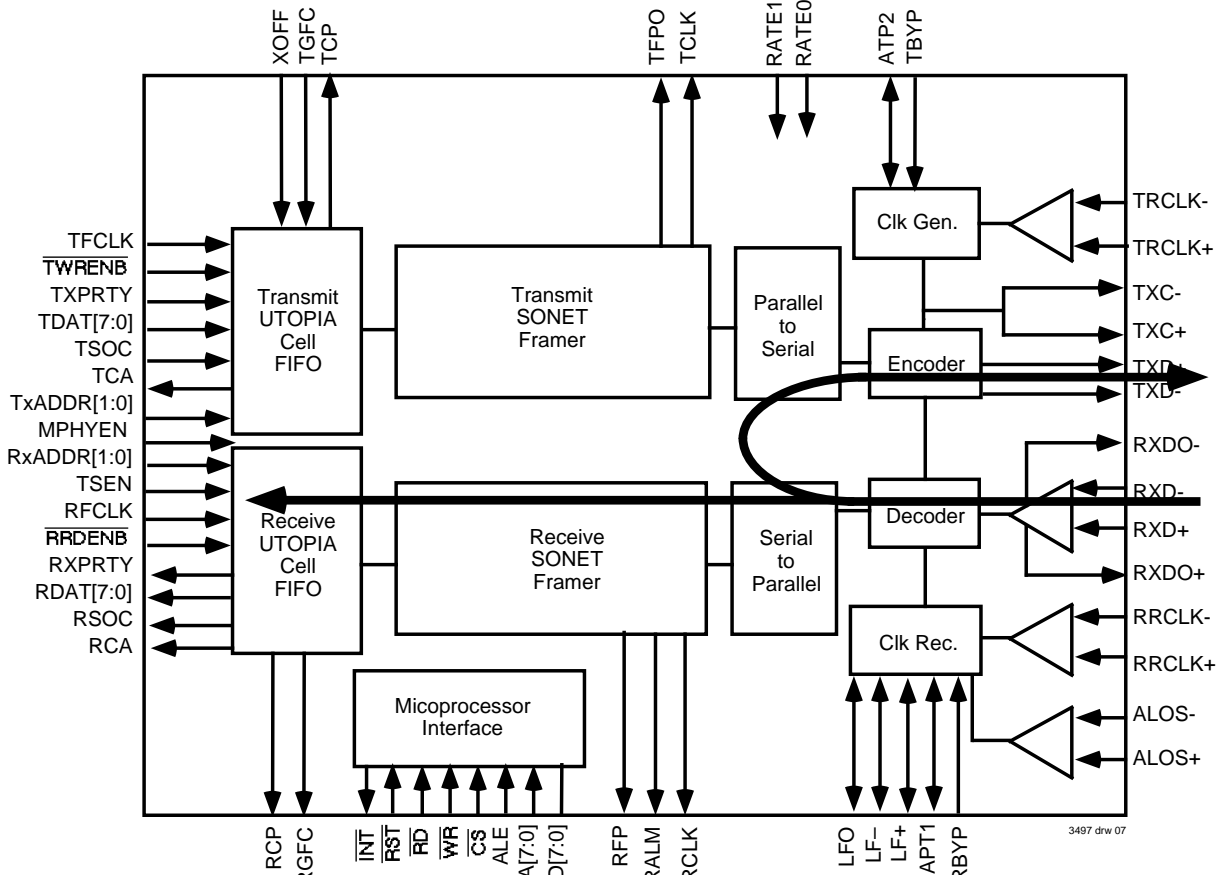


Figure 10. Line Loopback

REGISTER LISTING

Address	Register
0X00	Master Reset & ID Register
0X01	Configuration Register
0X02	Interrupt Register
0X04	Master Clock Monitor Register
0X05	Master Control Register
0X06	Transmit Clock Synthesis Control/Status Register
0X07	Receive Clock/Data Recovery Control/Status Register
0X10	Receive Section Overhead Control Register
0X11	Receive Section Overhead Status Register
0X12	Receive Section BIP Error Counter (LSB)
0X13	Receive Section BIP Error Counter (MSB)
0X14	Transmit Section Overhead Control Register
0X15	Transmit Section Overhead Control Register
0X18	Receive Line Overhead Status Register
0X19	Receive Line Overhead Interrupt Register
0X1A	Receive Line BIP Error Counter (LSB)
0X1B	Receive Line BIP Error Counter
0X1C	Receive Line BIP Error Counter (MSB)
0X1D	Receive Line FEBE Counter (LSB)
0X1E	Receive Line FEBE Counter
0X1F	Receive Line FEBE Counter (MSB)
0X20	Transmit Line Overhead Status Register
0X21	Transmit Line Overhead Control Register
0X24	Transmit K1 Byte Register
0X25	Transmit K2 Byte Register
0X26	Receive K1 Byte Register
0X27	Receive K2 Byte Register
0X30	Receive Path Overhead Status Register
0X31	Receive Path Overhead Interrupt Register
0X33	Receive Path Overhead Interrupt Enable Register
0X37	Receive Path Signal Label Byte Register
0X38	Receive Path BIP Error Counter (LSB)
0X39	Receive Path BIP Error Counter (MSB)
0X3A	Receive Path FEBE Counter (LSB)
0X3B	Receive Path FEBE Counter (MSB)
0X3D	Receive Path BIP Error Control Register

Address	Register
0X40	Transmit Path Overhead Control Register
0X41	Transmit Pointer Control Register
0X45	Transmit Pointer LSB Register
0X46	Transmit Pointer MSB Register
0X48	Transmit Path Signal Label Byte Register
0X49	Transmit Path Overhead Control Register
0X50	Receive Cell Control Register
0X51	Receive Cell Interrupts & Interrupt Enable Register
0X52	Receive Cell Match Header Register
0X53	Receive Cell Match Header Mask Register
0X54	Receive Cell Correctable Error Counter
0X55	Receive Cell Uncorrectable Error Counter
0X56	Receive Cell Counter (LSB)
0X57	Receive Cell Counter
0X58	Receive Cell Counter (MSB)
0X59	Receive Cell Configuration Register
0X5A	Receive ID Address Register
0X60	Transmit Cell Control Register
0X61	Transmit Cell Idle/Unassigned Cell Header Pattern
0X62	Transmit Cell Idle/Unassigned Cell Header Pattern
0X63	Transmit Cell Configuration Register
0X64	Transmit Cell Counter (LSB)
0X65	Transmit Cell Counter
0X66	Transmit Cell Counter (MSB)
0X67	Transmit Cell Configuration Register
0X68	Transmit ID Address Register
0X70	Receive BER Status/Control Register
0X71	Receive BER Fail Threshold Register
0X72	Receive BER Fail Window Register
0X73	Receive BER Fail Denominator Register (LSB)
0X74	Receive BER Fail Denominator Register (MSB)
0X75	Receive BER Warning Threshold Register
0X76	Receive BER Warning Window Register
0X77	Receive BER Warning Denominator Register (LSB)
0X78	Receive BER Warning Denominator Register (MSB)
0X7F	Output PECL Control Register

CONFIGURATION, CONTROL AND STATUS REGISTERS

MASTER RESET & ID REGISTER DEFAULT = 8'B00110000

ADDRESS 0X00

Bit	Type	Symbol	Function
Bit 7	R/W	mstReset	Software reset control. A logic one resets entire sonet digital logic, and a logic zero has to be written to clear software reset. It resets the whole chip into a low-power stand-by mode. A hardware reset sets the whole register to its default state.
Bit 6	R	type[2]	Type value for the identification of chip.
Bit 5	R	type[1]	Type value for the identification of chip.
Bit 4	R	type[0]	Type value for the identification of chip.
Bit 3	R	id[3]	Revision ID number.
Bit 2	R	id[2]	Revision ID number.
Bit 1	R	id[1]	Revision ID number.
Bit 0	R	id[0]	Revision ID number.

CONFIGURATION REGISTER DEFAULT = 8'B01110000

ADDRESS 0X01

Bit	Type	Symbol	Function
Bit 7	—	—	Reserved
Bit 6	R/W	autoFEBE	Controls assertion of far end block errors (FEBE) in the transmit stream upon detection of line and path error events. When set to logic one, path FEBE errors are inserted in the transmit stream for each line or path BIP error event in the receive stream. When deasserted, no such errors are inserted.
Bit 5	R/W	autoLRDI	Controls assertion of line remote defect indication (LRDI) upon detection of alarms. When set to a logic one, a line RDI is inserted into the transmit stream upon detection of LOS, LOF, or LAIS in the receive stream.
Bit 4	R/W	autoPRDI	Controls assertion of path remote defect indication (PRDI) upon detection of alarms. When set to a logic one, PRDI is inserted into the transmit stream upon detection of an LOS, LOF, LAIS, LOP, PAIS, or LOC signal.
Bit 3	R/W	TCAInv	Select active polarity of TCA signal. Default is the TCA signal being active high.
Bit 2	R/W	RCAInv	Select active polarity of RCA signal. Default is the RCA signal being active high.
Bit 1	R/W	RXDInv	Select active polarity of the RXD+/- inputs. Default selects RXD+ to be active high and RXD- to be active low.
Bit 0	—	—	Reserved

INTERRUPT REGISTER DEFAULT = 8'BXXXXXXX

ADDRESS 0X02

Bit	Type	Symbol	Function
Bit 7	R	txOOLInt	Transmit reference out of lock interrupt status indication. It indicates the transmit clock synthesis PLL is unable to lock to the reference frequency TRCLK+/. This bit is cleared when the register is read.
Bit 6	R	rxLOCInt	Asserted when the loss of cell delineation (LOC) signal changes state. This bit is reset after a read to this register.
Bit 5	R	rxOOLInt	Receive data out of lock interrupt status indication. It indicates the receive clock/data recovery PLL's recovered clock is not within Bellcore's requirement of frequency variation with respect to the reference clock RRCLK+/. It is also asserted if no transitions have occurred on the RXD+/- inputs for 80 bit periods. This bit is cleared when the register is read.
Bit 4	R	txCDi	Interrupt is asserted upon the detection of an interrupt from the tx cell delineation block.
Bit 3	R	rxCDi	Interrupt is asserted upon the detection of an interrupt from the rx cell delineation block.
Bit 2	R	rxPOHi	Interrupt is asserted upon the detection of an interrupt from the rx path overhead section of the transmission convergence block.
Bit 1	R	rxLOHi	Interrupt is asserted upon the detection of an interrupt from the rx line overhead section of the transmission convergence block.
Bit 0	R	rxSOHi	Interrupt is asserted upon the detection of an interrupt from the rx section overhead section of the transmission convergence block.

MASTER CLOCK MONITOR REGISTER DEFAULT = 8'BXXXXXXX

ADDRESS 0X04

Bit	Type	Symbol	Function
Bit 7	—	—	Reserved
Bit 6	—	—	Reserved
Bit 5	—	—	Reserved
Bit 4	—	—	Reserved
Bit 3	R	rrclkReg	RRCLK+/- monitor. Set on the rising edge of RRCLK+/. Cleared when this register is read.
Bit 2	R	trclkReg	TRCLK+/- monitor. Set on the rising edge of TRCLK+/. Cleared when this register is read.
Bit 1	R	rclkReg	RCLK monitor. Set on the rising edge of the output clock RCLK. Cleared when this register is read.
Bit 0	R	tclkReg	TCLK monitor. Set on the rising edge of the output clock TCLK. Cleared when this register is read.

MASTER CONTROL REGISTER DEFAULT = 8'B00100000

ADDRESS 0X05

Bit	Type	Symbol	Function
Bit 7	R/W	rxLOCIEn	Loss of cell delineation interrupt enable. When set to a logic one, the INTB signal of the chip is asserted when a change in the LOC signal occurs.
Bit 6	R	LOC	Loss of cell delineation (LOC) indication.
Bit 5	R/W	txFixptr	Set payload pointer at 522 and disable any pointer movement. (Default = 1)
Bit 4	—	—	Reserved
Bit 3	—	—	Reserved
Bit 2	R/W	txLLoop	Line loopback enable. When a logic one, TXD+/- are connected internally to RXD+/-.
Bit 1	R/W	rxDLoop	Diagnostic loopback enable. The serial output and clock streams are connected internally to the serial input streams.
Bit 0	R/W	rxLoopT	Loop time operation enable. When a logic one, the transmitter clock is the recovered receive clock when RBYP is disabled, or RRCLK+/- when RBYP is asserted. By default, the transmit clock is derived from TRCLK+/-.

TRANSMIT CLOCK SYNTHESIS CONTROL/STATUS REGISTER DEFAULT = 8'B0000X000

ADDRESS 0X06

Bit	Type	Symbol	Function
Bit 7	—	—	Reserved
Bit 6	—	—	Reserved
Bit 5	—	—	Reserved
Bit 4	—	—	Reserved
Bit 3	R	txOOL	Transmit out of lock status signal indicating the transmit clock synthesis logic is unable to lock to the reference clock TRCLK+/-.
Bit 2	—	—	Reserved
Bit 1	R/W	txOOLIEn	Interrupt enable for the transmit out of lock indication.
Bit 0	R/W	txrefSel	Selects the expected frequency of TRCLK+/- . If a logic 0, the reference frequency is 19.44 MHz, else the reference frequency must be 6.48 MHz. It affects the clock synthesis frequency only when TBYP is deasserted.

RECEIVE CLOCK/DATA RECOVERY CONTROL/STATUS REGISTER DEFAULT = 8'B0000X000

ADDRESS 0X07

Bit	Type	Symbol	Function
Bit 7	—	—	Reserved
Bit 6	—	—	Reserved
Bit 5	—	—	Reserved
Bit 4	—	—	Reserved
Bit 3	R	rxOOL	Receive out of lock status signal indicating the receive clock/data recovery logic is unable to lock to the input data stream. It is asserted if the recovered clock is not within 244ppm of the reference clock RRCLK+/- or if there are no transitions on the RXD+/- inputs for 80n bit periods.
Bit 2	—	—	Reserved
Bit 1	R/W	rxOOLIEn	Interrupt enable for the receive out of lock indication.
Bit 0	R/W	rxrefSel	Selects the expected frequency of RRCLK+/- . If a logic 0, the reference frequency is 19.44 MHz, else the reference frequency must be 6.48 MHz. It affects the clock/data recovery logic frequency only when RBYP is deasserted.

RECEIVE SECTION OVERHEAD CONTROL REGISTER **DEFAULT = 8'B0000000**

ADDRESS 0X10

Bit	Type	Symbol	Function
Bit 7	—	—	Reserved
Bit 6	R/W	scrDis	Disable receive frame scrambler if set to logic one.
Bit 5	W	frcOOF	When set to logic one, the receive section overhead logic is forced out of frame at the next frame boundary.
Bit 4	—	—	Reserved
Bit 3	R/W	B1ErrEn	Interrupt enable for rx section BIP (B1) error. When asserted, an interrupt is generated if section BIP (B1) error is detected.
Bit 2	R/W	LOSIEn	Receive loss of signal interrupt enable. When asserted, an interrupt is generated if LOS alarm changes state.
Bit 1	R/W	LOFIEn	Receive loss of frame interrupt enable. When set to logic one, an interrupt is generated if LOF alarm changes state.
Bit 0	R/W	OOFIEn	Receive out of frame interrupt enable. When set to logic one, an interrupt is generated if OOF alarm changes state.

RECEIVE SECTION OVERHEAD STATUS REGISTER **DEFAULT = 8'BXXXXXXX**

ADDRESS 0X11

Bit	Type	Symbol	Function
Bit 7	R	C1Int	Interrupt bit set if received C1 bytes received do not correspond to 1, 2, 3 respectively. This bit is cleared when this register is read.
Bit 6	R	B1ErrInt	Interrupt is asserted if section BIP (B1) errors received. This bit is cleared when this register is read.
Bit 5	R	LOSInt	Loss of signal interrupt is asserted if LOS changes state. This bit is cleared when this register is read.
Bit 4	R	LOFInt	Loss of frame interrupt is asserted if LOF changes state. This bit is cleared when this register is read.
Bit 3	R	OOFInt	Out of frame interrupt is asserted if OOF changes state. This bit is cleared when this register is read.
Bit 2	R	LOS	Loss of signal status indication. Asserted high.
Bit 1	R	LOF	Loss of frame status indication. Asserted high.
Bit 0	R	OOF	Out of frame status indication. Asserted high.

RECEIVE SECTION BIP ERROR COUNTER

DEFAULT = 16'HXXXX

ADDRESS 0X12

Bit	Type	Symbol	Function
Bit 7	R	B1ErrCnt[7]	B1 error counter bit
Bit 6	R	B1ErrCnt[6]	B1 error counter bit
Bit 5	R	B1ErrCnt[5]	B1 error counter bit
Bit 4	R	B1ErrCnt[4]	B1 error counter bit
Bit 3	R	B1ErrCnt[3]	B1 error counter bit
Bit 2	R	B1ErrCnt[2]	B1 error counter bit
Bit 1	R	B1ErrCnt[1]	B1 error counter bit
Bit 0	R	B1ErrCnt[0]	B1 error counter bit

ADDRESS 0X13

Bit	Type	Symbol	Function
Bit 7	R	B1ErrCnt[15]	B1 error counter bit
Bit 6	R	B1ErrCnt[14]	B1 error counter bit
Bit 5	R	B1ErrCnt[13]	B1 error counter bit
Bit 4	R	B1ErrCnt[12]	B1 error counter bit
Bit 3	R	B1ErrCnt[11]	B1 error counter bit
Bit 2	R	B1ErrCnt[10]	B1 error counter bit
Bit 1	R	B1ErrCnt[9]	B1 error counter bit
Bit 0	R	B1ErrCnt[8]	B1 error counter bit

NOTE:

1. B1ErrCnt[15:0] Receive section overhead BIP (B1) error counter. Cumulative error counter keeping track of errors from the previous poll of these registers. The error count is polled by writing to either register or to address 'h00. Such a write transfers accumulated errors to a holding register which may be read later, and the registers are cleared. This transfer and reset of the registers are done such that coincident events are not lost. All error registers in the receive sections of the transmission convergence block or the cell delineation block may be polled by a write to the master register 'h00.

TRANSMIT SECTION OVERHEAD CONTROL REGISTER DEFAULT = 8'B0000000

ADDRESS 0X14

Bit	Type	Symbol	Function
Bit 7	—	—	Reserved
Bit 6	R/W	scrDis	Disable transmit frame scrambler. Scrambling enabled if logic zero.
Bit 5	—	—	Reserved
Bit 4	—	—	Reserved
Bit 3	—	—	Reserved
Bit 2	—	—	Reserved
Bit 1	—	—	Reserved
Bit 0	R/W	LAISIns	Insert line alarm signal (LAIS) in transmit stream. Line alarm results in all bits except the section overhead bytes being set to logic 1 prior to scrambling.

TRANSMIT SECTION OVERHEAD CONTROL REGISTER DEFAULT = 8'B0000000

ADDRESS 0X15

Bit	Type	Symbol	Function
Bit 7	—	—	Reserved
Bit 6	—	—	Reserved
Bit 5	—	—	Reserved
Bit 4	—	—	Reserved
Bit 3	—	—	Reserved
Bit 2	R/W	LOSIns	Insert loss of signal into transmit stream. The transmit stream is forced to all zeroes if this bit is asserted.
Bit 1	R/W	B1Inv	Invert B1 byte before insertion into transmit stream. controls error insertion into the section B1 byte.
Bit 0	R/W	frErrIns	Insert framing error. Inserts a single bit error continuously into the most significant bit of the A1 section overhead byte. When this bit is set to logic one, the A1 bytes transmitted are 0x76 instead of 0xf6.

RECEIVE LINE OVERHEAD STATUS REGISTER DEFAULT = 8'B0000000

ADDRESS 0X18

Bit	Type	Symbol	Function
Bit 7	R/W	B2Word	Controls accumulation of B2 errors. If set to logic one, the B2 error counter is incremented only once per frame for one or more errors received during that frame. When disabled, the B2 error counter is incremented by the received error count during that frame. Max B2 errors is 8 per frame for STS-1 and 24 for STS-3c per frame.
Bit 6	—	—	Reserved
Bit 5	—	—	Reserved
Bit 4	—	—	Reserved
Bit 3	—	—	Reserved
Bit 2	—	—	Reserved
Bit 1	R	LAIS	Receive line alarm signal status indication.
Bit 0	R	LRDI	Receive line remote defect indication status indication.

RECEIVE LINE OVERHEAD INTERRUPT REGISTER DEFAULT = 8'B0000XXX

ADDRESS 0X19

Bit	Type	Symbol	Function
Bit 7	R/W	LFEBEIEEn	Receive line FEBE (Z2) error interrupt enable. If set to logic one, an interrupt is generated if a line FEBE is detected.
Bit 6	R/W	B2ErrIEEn	Receive line BIP (B2) error interrupt enable. If set to logic one, an interrupt is generated if a line BIP (B2) error is detected.
Bit 5	R/W	LAISIEEn	Receive line alarm indication signal interrupt enable. If set to logic one, an interrupt is generated if LAIS changes state.
Bit 4	R/W	LRDIIEn	Receive line RDI error interrupt enable. If set to logic one, an interrupt is generated if line RDI signal changes state.
Bit 3	R	LFEBEInt	Receive line FEBE (Z2) error interrupt is asserted when a line FEBE is detected. Cleared when this register is read.
Bit 2	R	B2ErrInt	Receive line BIP error interrupt is asserted when a B2 error is detected. Cleared when this register is read.
Bit 1	R	LAISInt	Receive line alarm interrupt is asserted when a change in the line alarm signal (LAIS) occurs. Cleared when this register is read.
Bit 0	R	LRDIInt	Receive line RDI interrupt is asserted when a change in the line RDI signal occurs. Cleared when this register is read.

RECEIVE LINE OVERHEAD BIP ERROR COUNTER

DEFAULT = 20'HXXXXX

ADDRESS 0X1A

Bit	Type	Symbol	Function
Bit 7	R	B2ErrCnt[7]	B2 error counter bit
Bit 6	R	B2ErrCnt[6]	B2 error counter bit
Bit 5	R	B2ErrCnt[5]	B2 error counter bit
Bit 4	R	B2ErrCnt[4]	B2 error counter bit
Bit 3	R	B2ErrCnt[3]	B2 error counter bit
Bit 2	R	B2ErrCnt[2]	B2 error counter bit
Bit 1	R	B2ErrCnt[1]	B2 error counter bit
Bit 0	R	B2ErrCnt[0]	B2 error counter bit

ADDRESS 0X1B

Bit	Type	Symbol	Function
Bit 7	R	B2ErrCnt[15]	B2 error counter bit
Bit 6	R	B2ErrCnt[14]	B2 error counter bit
Bit 5	R	B2ErrCnt[13]	B2 error counter bit
Bit 4	R	B2ErrCnt[12]	B2 error counter bit
Bit 3	R	B2ErrCnt[11]	B2 error counter bit
Bit 2	R	B2ErrCnt[10]	B2 error counter bit
Bit 1	R	B2ErrCnt[9]	B2 error counter bit
Bit 0	R	B2ErrCnt[8]	B2 error counter bit

ADDRESS 0X1E

Bit	Type	Symbol	Function
Bit 7	R	FEBECnt[15]	FEBE counter bit
Bit 6	R	FEBECnt[14]	FEBE counter bit
Bit 5	R	FEBECnt[13]	FEBE counter bit
Bit 4	R	FEBECnt[12]	FEBE counter bit
Bit 3	R	FEBECnt[11]	FEBE counter bit
Bit 2	R	FEBECnt[10]	FEBE counter bit
Bit 1	R	FEBECnt[9]	FEBE counter bit
Bit 0	R	FEBECnt[8]	FEBE counter bit

ADDRESS 0X1C

Bit	Type	Symbol	Function
Bit 7	—	—	Reserved
Bit 6	—	—	Reserved
Bit 5	—	—	Reserved
Bit 4	—	—	Reserved
Bit 3	R	B2ErrCnt[19]	B2 error counter bit
Bit 2	R	B2ErrCnt[18]	B2 error counter bit
Bit 1	R	B2ErrCnt[17]	B2 error counter bit
Bit 0	R	B2ErrCnt[16]	B2 error counter bit

ADDRESS 0X1F

Bit	Type	Symbol	Function
Bit 7	—	—	Reserved
Bit 6	—	—	Reserved
Bit 5	—	—	Reserved
Bit 4	—	—	Reserved
Bit 3	R	FEBECnt[19]	FEBE counter bit
Bit 2	R	FEBECnt[18]	FEBE counter bit
Bit 1	R	FEBECnt[17]	FEBE counter bit
Bit 0	R	FEBECnt[16]	FEBE counter bit

NOTE:

1. B2ErrCnt[19:0] BIP error counter of the receive line overhead section (B2 errors). Cumulative error counter keeping track of errors from the previous poll of these registers. The error count is polled by writing to either of the registers, or either of the Z2 error registers, or to address 'h00. Such a write transfers accumulated errors to a holding register which may be read later, and the registers are cleared. This transfer and reset of the registers are done such that coincident events are not lost. All error registers in the receive sections of the transmission convergence block or the cell delineation block may be polled by a write to the master register 'h00.

NOTE:

1. FEBECnt[19:0] FEBE (Far End Block Error in receive Z2) counter of the receive line overhead section. Cumulative error counter keeping track of errors from the previous poll of these registers. The error count is polled by writing to either of the registers, or either of the B2 error registers, or to address 'h00. Such a write transfers accumulated errors to a holding register which may be read later, and the registers are cleared. This transfer and reset of the registers are done such that coincident events are not lost. All error registers in the receive sections of the transmission convergence block or the cell delineation block may be polled by a write to the master register 'h00

RECEIVE LINE FEBE COUNTER

DEFAULT = 20'HXXXXX

ADDRESS 0X1D

Bit	Type	Symbol	Function
Bit 7	R	FEBECnt[7]	FEBE counter bit
Bit 6	R	FEBECnt[6]	FEBE counter bit
Bit 5	R	FEBECnt[5]	FEBE counter bit
Bit 4	R	FEBECnt[4]	FEBE counter bit
Bit 3	R	FEBECnt[3]	FEBE counter bit
Bit 2	R	FEBECnt[2]	FEBE counter bit
Bit 1	R	FEBECnt[1]	FEBE counter bit
Bit 0	R	FEBECnt[0]	FEBE counter bit

TRANSMIT LINE OVERHEAD STATUS REGISTER

DEFAULT = 8'B00000000

ADDRESS 0X20

Bit	Type	Symbol	Function
Bit 7	—	—	Reserved
Bit 6	—	—	Reserved
Bit 5	—	—	Reserved
Bit 4	—	—	Reserved
Bit 3	—	—	Reserved
Bit 2	—	—	Reserved
Bit 1	—	—	Reserved
Bit 0	R/W	LRDI	Transmit line RDI insertion into transmit stream. When set to logic one, line RDI is inserted by transmitting the code 110 into the 3 least significant bits of the K2 byte of the transmit stream.

TRANSMIT LINE OVERHEAD CONTROL REGISTER

DEFAULT = 8'B00000000

ADDRESS 0X21

Bit	Type	Symbol	Function
Bit 7	—	—	Reserved
Bit 6	—	—	Reserved
Bit 5	—	—	Reserved
Bit 4	—	—	Reserved
Bit 3	—	—	Reserved
Bit 2	—	—	Reserved
Bit 1	—	—	Reserved
Bit 0	R/W	B2Inv	When set to logic one, B2 byte is inverted before insertion into transmit stream.

TRANSMIT K1 BYTE REGISTER

DEFAULT = 8'B00000000

ADDRESS 0X24

Bit	Type	Symbol	Function
Bit 7	R/W	K1Ins[7]	K1 Insertion Bit 7
Bit 6	R/W	K1Ins[6]	K1 Insertion Bit 6
Bit 5	R/W	K1Ins[5]	K1 Insertion Bit 5
Bit 4	R/W	K1Ins[4]	K1 Insertion Bit 4
Bit 3	R/W	K1Ins[3]	K1 Insertion Bit 3
Bit 2	R/W	K1Ins[2]	K1 Insertion Bit 2
Bit 1	R/W	K1Ins[1]	K1 Insertion Bit 1
Bit 0	R/W	K1Ins[0]	K1 Insertion Bit 0

NOTE:

1. k1Ins[7:0] Value to be inserted into the K1 byte of transmit stream. Continuously inserts this value into the transmit stream.

TRANSMIT K2 BYTE REGISTER

DEFAULT = 8'B00000000

ADDRESS 0X25

Bit	Type	Symbol	Function
Bit 7	R/W	K2Ins[7]	K2 Insertion Bit 7
Bit 6	R/W	K2Ins[5]	K2 Insertion Bit 5
Bit 4	R/W	K2Ins[4]	K2 Insertion Bit 4
Bit 3	R/W	K2Ins[3]	K2 Insertion Bit 3
Bit 2	R/W	K2Ins[2]	K2 Insertion Bit 2
Bit 1	R/W	K2Ins[1]	K2 Insertion Bit 1
Bit 0	R/W	K2Ins[0]	K2 Insertion Bit 0

NOTE:

1. k2Ins[7:0] Value to be inserted into the K2 byte of transmit stream. Continuously inserts this value into the transmit stream. However, the least significant 4 bits of the K2 byte in the transmit stream is overridden by the path RDI value and the line FERF value if error conditions are detected in the receive section of the transmission convergence logic.

RECEIVE K1 BYTE REGISTER

DEFAULT = 8'BXXXXXXX

ADDRESS 0X26

Bit	Type	Symbol	Function
Bit 7	R	K1[7]	Receive K1 Bit 7
Bit 6	R	K1[6]	Receive K1 Bit 6
Bit 5	R	K1[5]	Receive K1 Bit 5
Bit 4	R	K1[4]	Receive K1 Bit 4
Bit 3	R	K1[3]	Receive K1 Bit 3
Bit 2	R	K1[2]	Receive K1 Bit 2
Bit 1	R	K1[1]	Receive K1 Bit 1
Bit 0	R	K1[0]	Receive K1 Bit 0

NOTE:

1. k1[7:0] K1 byte of receive stream. Updated if new K1 byte received for 3 consecutive frames.

RECEIVE K2 BYTE REGISTER

DEFAULT = 8'BXXXXXXX

ADDRESS 0X27

Bit	Type	Symbol	Function
Bit 7	R	K2[7]	Receive K2 Bit 7
Bit 6	R	K2[6]	Receive K2 Bit 6
Bit 5	R	K2[5]	Receive K2 Bit 5
Bit 4	R	K2[4]	Receive K2 Bit 4
Bit 3	R	K2[3]	Receive K2 Bit 3
Bit 2	R	K2[2]	Receive K2 Bit 2
Bit 1	R	K2[1]	Receive K2 Bit 1
Bit 0	R	K2[0]	Receive K2 Bit 0

NOTE:

1. k2[7:0] K2 byte of receive stream. Updated if new K2 byte received for 3 consecutive frames

RECEIVE PATH OVERHEAD STATUS REGISTER DEFAULT = 8'B00X0XX00

ADDRESS 0X30

Bit	Type	Symbol	Function
Bit 7	—	—	Reserved
Bit 6	—	—	Reserved
Bit 5	R	LOP	Receive loss of pointer (LOP) status indication.
Bit 4	—	—	Reserved
Bit 3	R	PAIS	Receive path alarm indication (PAIS) status signal.
Bit 2	R	PRDI	Receive path remote path indication status indication.
Bit 1	—	—	Reserved
Bit 0	—	—	Reserved

RECEIVE PATH OVERHEAD INTERRUPT REGISTER DEFAULT = 8'BX0X0XXXX

ADDRESS 0X31

Bit	Type	Symbol	Function
Bit 7	R	C2Int	C2 label bytes error interrupt. Asserted when the expected C2 value is not received for 5 consecutive frames. The C2byte register ('h37) stores the most recently received C2 byte.
Bit 6	—	—	Reserved
Bit 5	R	LOPInt	Loss of pointer interrupt et when a change in LOP signal occurs. Cleared when this register is read.
Bit 4	—	—	Reserved
Bit 3	R	PAISInt	Path alarm indication signal interrupt is asserted when a change in the PAIS signal occurs. Cleared when this register is read.
Bit 2	R	PRDIInt	Path RDI interrupt is asserted when a change in the path RDI signal occurs. Cleared when this register is read.
Bit 1	R	B3ErrInt	Path BIP (B3) error interrupt is asserted when a path BIP (B3) error is detected. Cleared when this register is read.
Bit 0	R	PFEBEInt	Path FEBE (bit 1-4 of G1) interrupt is asserted when a path FEBE is detected. Cleared when this register is read.

RECEIVE PATH OVERHEAD INTERRUPT ENABLE REGISTER

DEFAULT = 8'B00000000

ADDRESS 0X33

Bit	Type	Symbol	Function
Bit 7	R/W	C2IEn	C2 signal label bytes error interrupt enable If set to logic one, an interrupt is generated if a C2 error is detected. C2 error occurs when unexpected C2 bytes are received for 5 consecutive frames.
Bit 6	—	—	Reserved
Bit 5	R/W	LOPIEn	Loss of pointer interrupt enable. If set to logic one, an interrupt is generated if a LOP change is detected.
Bit 4	—	—	Reserved
Bit3	R/W	PAISIEEn	Path alarm indication signal interrupt enable. If set to logic one, an interrupt is generated if a PAIS change is detected.
Bit 2	R/W	PRDIIEn	Path RDI interrupt enable. If set to logic one, an interrupt is generated if a path RDI change is detected.
Bit 1	R/W	B3ErrIEn	Path BIP (B3) error interrupt enable. If set to logic one, an interrupt is generated if a path BIP (B3) error is detected.
Bit 0	R/W	PFEBEIEEn	Path FEBE (bit 1-4 of G1) interrupt enable. If set to logic one, an interrupt is generated if a path FEBE is detected.

RECEIVE PATH SIGNAL LABEL BYTE REGISTER

DEFAULT = 8'BXXXXXXX

ADDRESS 0X37

Bit	Type	Symbol	Function
Bit 7	R	C2rx[7]	Receive C2 Bit 7
Bit 6	R	C2rx[6]	Receive C2 Bit 6
Bit 5	R	C2rx[5]	Receive C2 Bit 5
Bit 4	R	C2rx[4]	Receive C2 Bit 4
Bit 3	R	C2rx[3]	Receive C2 Bit 3
Bit 2	R	C2rx[2]	Receive C2 Bit 2
Bit 1	R	C2rx[1]	Receive C2 Bit 1
Bit 0	R	C2rx[0]	Receive C2 Bit 0

NOTE:

1. C2rx[7:0] most recent errored path label byte received which led to the C2 interrupt.

RECEIVE PATH OVERHEAD BIP ERROR COUNTER

DEFAULT = 16'HXXXX

ADDRESS 0X38

Bit	Type	Symbol	Function
Bit 7	R	B3ErrCnt[7]	B3 error counter bit
Bit 6	R	B3ErrCnt[5]	B3 error counter bit
Bit 4	R	B3ErrCnt[4]	B3 error counter bit
Bit 3	R	B3ErrCnt[3]	B3 error counter bit
Bit 2	R	B3ErrCnt[2]	B3 error counter bit
Bit 1	R	B3ErrCnt[1]	B3 error counter bit
Bit 0	R	B3ErrCnt[0]	B3 error counter bit

ADDRESS 0X39

Bit	Type	Symbol	Function
Bit 7	R	B3ErrCnt[15]	B3 error counter bit
Bit 6	R	B3ErrCnt[14]	B3 error counter bit
Bit 5	R	B3ErrCnt[13]	B3 error counter bit
Bit 4	R	B3ErrCnt[12]	B3 error counter bit
Bit 3	R	B3ErrCnt[11]	B3 error counter bit
Bit 2	R	B3ErrCnt[10]	B3 error counter bit
Bit 1	R	B3ErrCnt[9]	B3 error counter bit
Bit 0	R	B3ErrCnt[8]	B3 error counter bit

NOTE:

1. B3ErrCnt Receive path overhead BIP (B3) error counter. Cumulative error counter keeping track of errors from the previous poll of these registers. The error count is polled by writing to either of the registers, or either of the RDI error registers, or to address 'h00. Such a write transfers accumulated errors to a holding register which may be read later, and the registers are cleared. This transfer and reset of the registers are done such that coincident events are not lost. All error registers in the receive sections of the transmission convergence block or the cell delineation block may be polled by a write to the master register 'h00

RECEIVE PATH FEBE COUNTER

DEFAULT = 16'HXXXX

ADDRESS 0X3A

Bit	Type	Symbol	Function
Bit 7	R	PFEBECnt[7]	Path FEBE counter bit
Bit 6	R	PFEBECnt[5]	Path FEBE counter bit
Bit 4	R	PFEBECnt[4]	Path FEBE counter bit
Bit 3	R	PFEBECnt[3]	Path FEBE counter bit
Bit 2	R	PFEBECnt[2]	Path FEBE counter bit
Bit 1	R	PFEBECnt[1]	Path FEBE counter bit
Bit 0	R	PFEBECnt[0]	Path FEBE counter bit

ADDRESS 0X3B

Bit	Type	Symbol	Function
Bit 7	R	PFEBECnt[15]	Path FEBE counter bit
Bit 6	R	PFEBECnt[14]	Path FEBE counter bit
Bit 5	R	PFEBECnt[13]	Path FEBE counter bit
Bit 4	R	PFEBECnt[12]	Path FEBE counter bit
Bit 3	R	PFEBECnt[11]	Path FEBE counter bit
Bit 2	R	PFEBECnt[10]	Path FEBE counter bit
Bit 1	R	PFEBECnt[9]	Path FEBE counter bit
Bit 0	R	PFEBECnt[8]	Path FEBE counter bit

NOTE:

1. PFEBECnt[15:0] Receive path FEBE (Bit 1-4 of G1 byte) counter. Cumulative error counter keeping track of errors from the previous poll of these registers. The error count is polled by writing to either of the registers, or either of the BIP (B3) error registers, or to address 'h00. Such a write transfers accumulated errors to a holding register which may be read later, and the registers are cleared. This transfer and reset of the registers are done such that coincident events are not lost. All error registers in the receive sections of the transmission convergence block or the cell delineation block may be polled by a write to the master register 'h00.

RECEIVE PATH BIP ERROR CONTROL REGISTER

DEFAULT = 8'B0000000

ADDRESS 0X3D

Bit	Type	Symbol	Function
Bit 7	—	—	Reserved
Bit 6	—	—	Reserved
Bit 5	R/W	blkBIP	Controls accumulation of B3 errors. If set to logic one, the B3 error counter is incremented only once per SPE for one or more errors received during that frame. When disabled, the B3 error counter is incremented by the received error count during that SPE. Max B3 errors is 8 per SPE.
Bit 4	—	—	Reserved
Bit 3	—	—	Reserved
Bit 2	—	—	Reserved
Bit 1	—	—	Reserved
Bit 0	—	—	Reserved

TRANSMIT PATH OVERHEAD CONTROL REGISTER

DEFAULT = 8'B0000000

ADDRESS 0X40

Bit	Type	Symbol	Function
Bit 7	—	—	Reserved
Bit 6	—	—	Reserved
Bit 5	—	—	Reserved
Bit 4	—	—	Reserved
Bit 3	—	—	Reserved
Bit 2	—	—	Reserved
Bit 1	R/W	B3Inv	Invert B3 byte before insertion into the transmission stream. When set to a logic one, the B3 byte is inverted causing the insertion of 8 BIP errors per frame. The B3 byte is uncorrupted when this bit is a logic zero.
Bit 0	R/W	PAISIns	Insert path alarm indication signal into the transmit stream. When a logic one, the complete SPE, and the pointer bytes (H1, H2, & H3) are overwritten with the all ones pattern.

TRANSMIT POINTER CONTROL REGISTER **DEFAULT = 8'B0000000**
ADDRESS 0X41

Bit	Type	Symbol	Function
Bit 7	—	—	Reserved
Bit 6	R/W	frcPtr	Force the insertion of the pointer values (H1 & H2 bytes) in the pointer registers ('h45, 'h46) into the transmit stream for diagnostics. The SPE and other overheads are transmitted in a normal fashion although it would not be extracted by the receiving logic due to an incorrect pointer. At least one corrupted pointer is guaranteed to be sent.
Bit 5	R/W	stuffCtl	Stuff opportunity spacing between consecutive SPE stuff events. When asserted to a logic one, stuff events controlled by <i>incPtr</i> and <i>decPtr</i> is generated at a maximum rate of once every four frames. Else, stuff events may be generated every frame.
Bit 4	R/W	Ptr	Initialize pointer value of next frame with pointer value contained in 'h45 and 'h46. The registers at 'h45 and 'h46 are initialized before this bit is set to a logic one. If a legal pointer value is loaded (0 <= pointer <= 782) then the transmit pointer value is changed to this value with the SPE being modified to this position appropriately. This bit is cleared once the new pointer is loaded.
Bit 3	R/W	NDF	Controls insertion of the new data flags in 'h46 into the transmit stream. When asserted to a logic one, the pattern in 'h46 is inserted continuously in the payload pointer. When disabled, the normal pointer value ('b0110) is inserted.
Bit 2	R/W	decPtr	Decrement pointer in the next immediate frame. This bit is cleared when the new pointer value is inserted in the transmit stream. This bit has no effect if the transmit <i>fixPtr</i> bit is asserted.
Bit 1	R/W	incPtr	Increment pointer in the next immediate stream. This bit is cleared when the new pointer value is inserted in the transmit stream. This bit has no effect if the transmit <i>fixPtr</i> bit is asserted.
Bit 7	—	—	Reserved

TRANSMIT POINTER LSB REGISTER
DEFAULT = 8'B0000000
ADDRESS 0X45

Bit	Type	Symbol	Function
Bit 7	R/W	arbPtr[7]	Arbitrary pointer Bit 7
Bit 6	R	arbPtr[6]	Arbitrary pointer Bit 6
Bit 5	R	arbPtr[5]	Arbitrary pointer Bit 5
Bit 4	R	arbPtr[4]	Arbitrary pointer Bit 4
Bit 3	R	arbPtr[3]	Arbitrary pointer Bit 3
Bit 2	R	arbPtr[2]	Arbitrary pointer Bit 2
Bit 1	R	arbPtr[1]	Arbitrary pointer Bit 1
Bit 0	R	arbPtr[0]	Arbitrary pointer Bit 0

NOTE:

1. arbPtr[7:0] Payload pointer to be inserted into frame if *Ptr* is set. A legal value results in the transmit payload pointer changing to the corresponding byte position. If the *frcPtr* bit is set, the payload pointer changes to this arbitrary value but the SPE position remains unchanged.

TRANSMIT POINTER MSB REGISTER **DEFAULT = 8'B10010000**
ADDRESS 0X46

Bit	Type	Symbol	Function
Bit 7	R/W	NDFVal[3]	New data flag field value to be inserted into the transmit stream if <i>IdPtr</i> is set or if <i>NDF</i> bit is set.
Bit 6	R/W	NDFVal[2]	
Bit 5	R/W	NDFVal[1]	
Bit 4	R/W	NDFVal[0]	
Bit 3	R/W	ssBit[1]	<p>SONET/SDH switch bit and <i>ss bits</i> value of the transmit stream. If <i>ssBit[1]</i> is a logic high, then the chip transforms to full SDH mode. By default (<i>ssBit[1]</i> = '0'), the chip follows the SONET specifications.</p> <p>SONET mode: <i>ssBit[1]</i> = '0'</p> <p>(1) <i>ss bits</i> of pointer is set to "00" for transmit direction.</p> <p>(2) Line AIS detection criteria. AIS-L enter state: 5 consecutive frames with "111" in bits 6-8 of K2 byte are detected. AIS-L exit state: 5 consecutive frames with pattern other than "111" in bits 6-8 of K2 byte are detected.</p> <p>(3) Line RDI detection criteria. RDI-L enter state: 5 consecutive frames with "110" in bits 6-8 of K2 byte are detected. RDI-L exit state: 5 consecutive frames with pattern other than "110" in bits 6-8 of K2 byte are detected.</p> <p>(4) Path BIP-8 calculation for STS-1 applications Count 87 columns of SPE including 2 fixed stuffs column (column 30 and 59).</p> <p>(5) No consequent actions Line RDI for transmit direction by detection of B2 EBER (refer to register address 'h70 BERfail)</p> <p>SDH mode: <i>ssBit[1]</i> = '1'</p> <p>(1) <i>ss bits</i> of pointer is set to "10" for transmit direction.</p> <p>(2) Line AIS detection criteria. AIS-L enter state: 3 consecutive frames with "111" in bits 6-8 of K2 byte are detected. AIS-L exit state: 3 consecutive frames with pattern other than "111" in bits 6-8 of K2 byte are detected.</p> <p>(3) Line RDI detection criteria. RDI-L enter state: 3 consecutive frames with "110" in bits 6-8 of K2 byte are detected. RDI-L exit state: 3 consecutive frames with pattern other than "110" in bits 6-8 of K2 byte are detected.</p> <p>(4) Path BIP-8 calculation for STS-1 applications Count 85 columns of SPE excluding 2 fixed stuffs column (column 30 and 59).</p> <p>(5) Generate consequent actions Line RDI for transmit direction by detection of B2 EBER (refer to register address 'h70 BERfail)</p>
Bit 2	R/W	ssBit[0]	<i>ss bits</i> value of the transmit stream. <i>ssBit[0]</i> is set to '0'.
Bit 1	R/W	arbPtr[9]	most significant bits of the arbitrary payload pointer to be inserted into frame if <i>IdPtr</i> is set. A legal value results in the transmit payload pointer changing to the corresponding byte position. If the <i>frcPtr</i> bit is set, the payload pointer changes to this arbitrary value but the SPE position remains unchanged.
Bit 0	R/W	arbPtr[8]	

TRANSMIT PATH SIGNAL LABEL BYTE REGISTER

DEFAULT = 8'B00010011

ADDRESS 0X48

Bit	Type	Symbol	Function
Bit 7	R/W	C2tr[7]	Transmit C2 Bit 7
Bit 6	R/W	C2tr[6]	Transmit C2 Bit 6
Bit 5	R/W	C2tr[5]	Transmit C2 Bit 5
Bit 4	R/W	C2tr[4]	Transmit C2 Bit 4
Bit 3	R/W	C2tr[3]	Transmit C2 Bit 3
Bit 2	R/W	C2tr[2]	Transmit C2 Bit 2
Bit 1	R/W	C2tr[1]	Transmit C2 Bit 1
Bit 0	R/W	C2tr[0]	Transmit C2 Bit 0

NOTE:

1. C2tr[7:0]C2 value to be inserted into the transmit stream. Default value is 'h13 for ATM applications. Value may be changed for diagnostics purposes.

TRANSMIT PATH OVERHEAD CONTROL REGISTER

DEFAULT = 8'B0000000

ADDRESS 0X49

Bit	Type	Symbol	Function
Bit 7	R/W	PFEBEIns[3]	Insert FEBE value into path status byte. This value is cleared after it has been inserted into the path status byte for transmission. Any non-zero value overrides the accumulated error values during the previous received frame. If a non-zero value is read from this register, it implies that the transmission is still pending.
Bit 6	R/W	PFEBEIns[2]	
Bit 5	R/W	PFEBEIns[1]	
Bit 4	R/W	PFEBEIns[0]	
Bit 3	R/W	PRDIIns	Insert path remote defect indication into transmit stream. When set to a logic one, the PRDI bit in the status byte is asserted. Once a PRDI indication is sent, it is guaranteed to be sent asserted for 10 consecutive frames.
Bit 2	R/W	G1Ins[2]	G1 bits to be inserted into path status byte least significant bits.
Bit 2	R/W	G1Ins[1]	
Bit 2	R/W	G1Ins[0]	

RECEIVE CELL CONTROL REGISTER DEFAULT = 8'B0000100
ADDRESS 0X50

Bit	Type	Symbol	Function
Bit 7	R	OCD	Out of cell delineation status indication. When asserted high, the cell delineation state machine is in the <i>hunt</i> or <i>presync</i> state.
Bit 6	R/W	parity	Select odd or even parity for RXPRTY output. When set to logic one, it is even parity over the outputs RDAT[7:0], else it is odd parity.
Bit 5	R/W	pass	When enabled, filtering of cells with matching the pattern in cell header register 'h52 masked with the mask register 'h53 is disabled. Filtering of field with VPI = VCI = 0 is ignored and all cells are passed to the ATM layer.
Bit 4	R/W	corDis	Disables the HEC error correction algorithm. any error detected in the incoming cell is treated as an uncorrectable error, and the cell is dropped.
Bit 3	R/W	HECdis	Controls the dropping of cells when an incorrectable HEC error is detected. When disabled, cells with uncorrectable errors are dropped. However, when set to a logic one, cells are passed to the TM layer regardless of the errors detected. The HEC verification state machine is always in the correction mode. cells are always dropped when the cell delineation state machine is in the <i>hunt</i> or <i>presync</i> states.
Bit 2	R/W	csetAdd	Controls the addition of the coset polynomial. When a logic one, the coset polynomial is added to the header prior to comparison.
Bit 1	R/W	scrDis	Controls the descrambling of the cell payload. When asserted high, payload scrambling is disabled.
Bit 0	R/W	rxFIFOrst	Reset rx FIFO. Used to reset the four cell receive FIFO when asserted to a logic one. The FIFO ignores all writes until this bit is cleared.

RECEIVE CELL INTERRUPTS & INTERRUPT ENABLE REGISTER DEFAULT = 8'B000XXXX0
ADDRESS 0X51

Bit	Type	Symbol	Function
Bit 7	R/W	OCDIEn	Out of cell delineation interrupt enable. If set to logic one, an interrupt is generated if an OCD change is detected
Bit 6	R/W	HECIEn	Correctable or incorrectable HEC error interrupt enable. If set to logic one, an interrupt is generated if a correctable or uncorrectable error is detected
Bit 5	R/W	ovfIEn	FIFO overflow interrupt enable. If set to logic one, an interrupt is generated if a FIFO overrun is detected
Bit 4	R	OCDInt	Out of cell delineation interrupt. Set when the OCD signal changes value. This bit is cleared following a read to this register.
Bit 3	R	corInt	Correctable HEC error interrupt is asserted when a correctable HEC error is detected. This bit is cleared following a read to this register.
Bit 2	R	uncorInt	Uncorrectable HEC error interrupt is asserted when an uncorrectable HEC error is detected. This bit is cleared following a read to this register.
Bit 1	R	ovfInt	FIFO overflow interrupt is asserted when a receive FIFO overflow occurs. This bit is cleared following a read to this register.
Bit 0	—	—	Reserved

RECEIVE CELL MATCH HEADER REGISTER **DEFAULT = 8'B0000000**
ADDRESS 0X52

Bit	Type	Symbol	Function
Bit 7	R/W	GFC[3]	GFC Bit 3 to match GFC of receive header
Bit 6	R/W	GFC[2]	GFC Bit 2 to match GFC of receive header
Bit 5	R/W	GFC[1]	GFC Bit 1 to match GFC of receive header
Bit 4	R/W	GFC[0]	GFC Bit 0 to match GFC of receive header
Bit 3	R/W	PTI[2]	PTI Bit 2 to match PTI of receive header
Bit 2	R/W	PTI[1]	PTI Bit 1 to match PTI of receive header
Bit 1	R/W	PTI[0]	PTI Bit 0 to match PTI of receive header
Bit 0	R/W	CLP	CLP value to match CLP of receive header

NOTE:

1. GFC[3:0], PTI[2:0], CLPMatch header pattern to match in the GFC, PTI, & CLP portion of the received header. Cells matching the unmasked bits of this pattern, along with the criteria of VPI = VCI = 0, will be dropped. The receive pass bit control must be disabled to enable the dropping of idle/unassigned cells.

RECEIVE CELL MATCH HEADER MASK REGISTER **DEFAULT = 8'B0000000**
ADDRESS 0X53

Bit	Type	Symbol	Function
Bit 7	R/W	GFCmsk[3]	Mask GFC Bit 3
Bit 6	R/W	GFCmsk[2]	Mask GFC Bit 2
Bit 5	R/W	GFCmsk[1]	Mask GFC Bit 1
Bit 4	R/W	GFCmsk[0]	Mask GFC Bit 0
Bit 3	R/W	PTImask[2]	Mask PTI Bit 2
Bit 2	R/W	PTImask[1]	Mask PTI Bit 1
Bit 1	R/W	PTImask[0]	Mask PTI Bit 0
Bit 0	R/W	CLPmsk	Mask CLP

NOTE:

1. GFCmsk[3:0], PTImask[2:0], CLPmsk Mask bits for GFC, PTI, & CLP portion of the match header pattern. Cells matching the unmasked bits of the header pattern register ('h52) will be dropped. A logic one in any bit position enables the corresponding bit in the pattern register to be compared. Note that the VPI and VCI bits do not have a mask register. The pattern in them have to be a logic zero.

RECEIVE CELL CORRECTABLE ERROR COUNTER **DEFAULT = 8'BXXXXXXX**
ADDRESS 0X54

Bit	Type	Symbol	Function
Bit 7	R	corCnt[7]	Correctable HEC error count bit
Bit 6	R	corCnt[6]	Correctable HEC error count bit
Bit 5	R	corCnt[5]	Correctable HEC error count bit
Bit 4	R	corCnt[4]	Correctable HEC error count bit
Bit 3	R	corCnt[3]	Correctable HEC error count bit
Bit 2	R	corCnt[2]	Correctable HEC error count bit
Bit 1	R	corCnt[1]	Correctable HEC error count bit
Bit 0	R	corCnt[0]	Correctable HEC error count bit

NOTE:

1. corCnt [7:0] Correctable HEC error count register. This is a cumulative error counter keeping track of errors from the previous poll of these registers. The error count is polled by writing to either of the HEC error registers ('h54 or 'h55), or to address 'h00. Such a write transfers accumulated errors to a holding register which may be read later, and the registers are cleared. This transfer and reset of the registers are done such that coincident events are not lost. All error registers in the receive sections of the transmission convergence block or the cell delineation block may be polled by a write to the master register 'h00.

RECEIVE CELL UNCORRECTABLE ERROR COUNTER

DEFAULT = 8'BXXXXXXX

ADDRESS 0X55

Bit	Type	Symbol	Function
Bit 7	R	uncorCnt[7]	Uncorrectable HEC error count bit
Bit 6	R	uncorCnt[6]	Uncorrectable HEC error count bit
Bit 5	R	uncorCnt[5]	Uncorrectable HEC error count bit
Bit 4	R	uncorCnt[4]	Uncorrectable HEC error count bit
Bit 3	R	uncorCnt[3]	Uncorrectable HEC error count bit
Bit 2	R	uncorCnt[2]	Uncorrectable HEC error count bit
Bit 1	R	uncorCnt[1]	Uncorrectable HEC error count bit
Bit 0	R	uncorCnt[0]	Uncorrectable HEC error count bit

NOTE:

1. uncorCnt[7:0] Uncorrectable HEC error count register. This is a cumulative error counter keeping track of errors from the previous poll of these registers. The error count is polled by writing to either of the HEC error registers ('h54 or 'h55), or to address 'h00. Such a write transfers accumulated errors to a holding register which may be read later, and the registers are cleared. This transfer and reset of the registers are done such that coincident events are not lost. All error registers in the receive sections of the transmission convergence block or the cell delineation block may be polled by a write to the master register 'h00.

RECEIVE CELL COUNTER

DEFAULT = 19'H0000

ADDRESS 0X56

Bit	Type	Symbol	Function
Bit 7	R	cellCnt[7]	Receive cell counter bit
Bit 6	R	cellCnt[6]	Receive cell counter bit
Bit 5	R	cellCnt[5]	Receive cell counter bit
Bit 4	R	cellCnt[4]	Receive cell counter bit
Bit 3	R	cellCnt[3]	Receive cell counter bit
Bit 2	R	cellCnt[2]	Receive cell counter bit
Bit 1	R	cellCnt[1]	Receive cell counter bit
Bit 0	R	cellCnt[0]	Receive cell counter bit

ADDRESS 0X57

Bit	Type	Symbol	Function
Bit 7	R	cellCnt[15]	Receive cell counter bit
Bit 6	R	cellCnt[14]	Receive cell counter bit
Bit 5	R	cellCnt[13]	Receive cell counter bit
Bit 4	R	cellCnt[12]	Receive cell counter bit
Bit 3	R	cellCnt[11]	Receive cell counter bit
Bit 2	R	cellCnt[10]	Receive cell counter bit
Bit 1	R	cellCnt[9]	Receive cell counter bit
Bit 0	R	cellCnt[8]	Receive cell counter bit

ADDRESS 0X58

Bit	Type	Symbol	Function
Bit 7	—	—	Reserved
Bit 6	—	—	Reserved
Bit 5	—	—	Reserved
Bit 4	—	—	Reserved
Bit 3	—	—	Reserved
Bit 2	R	cellCnt[18]	Receive cell counter bit
Bit 1	R	cellCnt[17]	Receive cell counter bit
Bit 0	R	cellCnt[16]	Receive cell counter bit

NOTE:

1.cellCnt [18:0] Receive cell counter of the number of cells passed thru' to the ATM. Cells filtered due to HEC errors or idle/unassigned cells are not counted. This is a cumulative counter keeping track of rx cells from the previous poll of these registers. The count is polled by writing to either of these registers ('h56, 'h57, or 'h58), the HEC error registers, or to address 'h00. Such a write transfers accumulated errors to a holding register which may be read later, and the registers are cleared. This transfer and reset of the registers are done such that coincident events are not lost. All error/count registers in the receive sections of the transmission convergence block or the cell delineation block may be polled by a write to the master register 'h00.

RECEIVE CELL CONFIGURATION REGISTER

DEFAULT = 8'B11111100

ADDRESS 0X59

Bit	Type	Symbol	Function
Bit 7	R/W	GFCen[3]	GFC enable bits. This determines which GFC bits are presented on the RGFC output. If a GFCen bit is a logic one, the RGFC output presents appropriate bit location the state of the associated GFC bit in the current cell.
Bit 6	R/W	GFCen[2]	
Bit 5	R/W	GFCen[1]	
Bit 4	R/W	GFCen[0]	
Bit 3	R/W	FixSen	Fixed stuff column control for STS-1 mode. When asserted high, the column 30 and 59 of the received SPE are assigned as fixed stuff columns. If FixSen is low, Column 30 and 59 are assigned as ATM payload columns.
Bit 2	R/W	RCA level	RCA level control. When asserted to a logic one, a high to low transition on RCA indicates the receive FIFO is empty. When a logic zero, a high to low transition on RCA indicates the receive FIFO is almost empty and contains only 4 more bytes to be read.
Bit 1	R/W	HECftr[1]	HEC filter bits. It indicates the number of consecutive error free cells required in the detection mode before reverting back to the correction mode, of the HEC verification state machine. HECftr[1:0] 00 Cell acceptance threshold one ATM cell with correct HEC to revert to the connection mode. This cell is accepted. 01 two ATM cells with correct HEC to revert to the correction mode. The last cell is accepted 10 four ATM cells with correct HEC to revert to the correction mode. The last cell is accepted 11 eight ATM cells with correct HEC to revert to the correction mode. The last cell is accepted
Bit 0	R/W	HECftr[0]	

RECEIVE ID ADDRESS REGISTER

DEFAULT = 8'B0000000

ADDRESS 0X5A

Bit	Type	Symbol	Function
Bit 7	—	—	Reserved
Bit 6	—	—	Reserved
Bit 5	—	—	Reserved
Bit 4	—	—	Reserved
Bit 3	—	—	Reserved
Bit 2	—	—	Reserved
Bit 1	R/W	IDAddr[1]	Device ID value for the receive portion of the receive UTOPIA logic. In multi-PY mode, the appropriate receive UTOPIA signals are driven as per UTOPIA level 2 protocol when the RXADDR bus value matches the value in this register. This has no effect in single-PHY mode.
Bit 0	R/W	IDAddr[0]	

TRANSMIT CELL CONTROL REGISTER

DEFAULT = 8'B00000100

ADDRESS 0X60

Bit	Type	Symbol	Function
Bit 7	R/W	fovrEn	Transmit FIFO overrun interrupt enable. Enables the generation of an interrupt due to a FIFO overrun or when the TSOC input is sampled high during any position other than the first byte.
Bit 6	R	socInt	Start of cell interrupt. This bit is set high when the TSOC input is sampled high during any position other than the first byte. When such a condition occurs, the cell delineation logic assumes the new SOC signal is the start of a new cell, and the previous few bytes are discarded. Thus, cell delineation is performed in the transmit direction also. This bit is cleared after a read of this register.
Bit 5	R	fovrInt	Transmit FIFO overrun interrupt. This bit is cleared after a read to this register.
Bit 4	R/W	HECInv	Invert the HEC bytes before transmission for diagnostic purposes when this bit is set to a logic one.
Bit 3	R/W	HECdis	Disables the generation & insertion of the of the header error check sequence.
Bit 2	R/W	csetAdd	Controls the addition of the coset polynomial. When a logic one, the coset polynomial is added to the header prior to transmission.
Bit 1	R/W	scrDis	Controls the descrambling of the cell payload. When asserted high, payload scrambling is disabled.
Bit 0	R/W	txFIFOrst	Reset tx FIFO. Used to reset the four cell transmit FIFO when asserted to a logic one. The FIFO ignores all writes until this bit is cleared.

TRANSMIT CELL IDLE/UNASSIGNED CELL HEADER PATTERN DEFAULT = 8'B0000000
ADDRESS 0X61

Bit	Type	Symbol	Function
Bit 7	R/W	GFCtx[3]	GFC Bit 3 to be inserted in GFC of transmit header for idle cell
Bit 6	R/W	GFCtx[2]	GFC Bit 2 to be inserted in GFC of transmit header for idle cell
Bit 5	R/W	GFCtx[1]	GFC Bit 1 to be inserted in GFC of transmit header for idle cell
Bit 4	R/W	GFCtx[0]	GFC Bit 0 to be inserted in GFC of transmit header for idle cell
Bit 3	R/W	PTItx[2]	PTI Bit 2 to be inserted in PTI of transmit header for idle cell
Bit 2	R/W	PTItx[1]	PTI Bit 1 to be inserted in PTI of transmit header for idle cell
Bit 1	R/W	PTItx[0]	PTI Bit 0 to be inserted in PTI of transmit header for idle cell
Bit 0	R/W	CLPtx	CLP value to be inserted in CLP of transmit header for idle cell

TRANSMIT CELL IDLE/UNASSIGNED CELL PAYLOAD PATTERN DEFAULT = 8'B01101010
ADDRESS 0X62

Bit	Type	Symbol	Function
Bit 7	R/W	idlePaylaod[7]	Payload value bit 7 for transmit idle/unassigned cells
Bit 6	R/W	idlePaylaod[6]	Payload value bit 6 for transmit idle/unassigned cells
Bit 5	R/W	idlePaylaod[5]	Payload value bit 5 for transmit idle/unassigned cells
Bit 4	R/W	idlePaylaod[4]	Payload value bit 4 for transmit idle/unassigned cells
Bit 3	R/W	idlePaylaod[3]	Payload value bit 3 for transmit idle/unassigned cells
Bit 2	R/W	idlePaylaod[2]	Payload value bit 2 for transmit idle/unassigned cells
Bit 1	R/W	idlePaylaod[1]	Payload value bit 1 for transmit idle/unassigned cells
Bit 0	R/W	idlePaylaod[0]	Payload value bit 0 for transmit idle/unassigned cells

NOTE
 1. idlePayload[7:0] payload octet of idle/unassigned cells. Idle/unassigned cells are transmitted when data cells are available to b transmitted in the tx FIFO.

TRANSMIT CELL CONFIGURATION REGISTER

DEFAULT = 8'B000X0000

ADDRESS 0X63

Bit	Type	Symbol	Function										
Bit 7	R/W	parity	Select odd or even parity for TXPRTY input. When set to logic one, it is even parity over the inputs TDAT[7:0], else it is odd parity.										
Bit 6	R/W	parlEn	Transmit parity interrupt enable. When asserted, an interrupt is indicated on the INTB output if a parity error is detected.										
Bit 5	—	—	Reserved										
Bit 4	R/W	parInt	tx parity interrupt. Set when a parity interrupt is detected. This bit is cleared when this register is read.										
Bit 3	R/W	FIFOdpth[1]	txFIFO depth control. When FIFO is filled to the specified depth, TCA is disabled. TCA is asserted only when a complete cell has been read for transmission. It is not recommended to set the FIFO depth to one cell. For minimum latency and maximum throughput, set the FIFO depth to 2 cells. <table style="margin-left: auto; margin-right: auto;"> <thead> <tr> <th><u>FIFOdpth[1:0]</u></th> <th><u>FIFO depth</u></th> </tr> </thead> <tbody> <tr> <td>00</td> <td>4 cells</td> </tr> <tr> <td>01</td> <td>3 cells</td> </tr> <tr> <td>10</td> <td>2 cells</td> </tr> <tr> <td>11</td> <td>1 cell</td> </tr> </tbody> </table>	<u>FIFOdpth[1:0]</u>	<u>FIFO depth</u>	00	4 cells	01	3 cells	10	2 cells	11	1 cell
<u>FIFOdpth[1:0]</u>	<u>FIFO depth</u>												
00	4 cells												
01	3 cells												
10	2 cells												
11	1 cell												
Bit 2	R/W	FIFOdpth[0]											
Bit 1	R/W	TCA level	TCA level control. When asserted to a logic one, a high to low transition on TCA indicates the transmit FIFO is full. When a logic zero, a high to low transition on TCA indicates the transmit FIFO is almost full and can accept only 4 more bytes.										
Bit 0	—	—	Reserved										

TRANSMIT CELL COUNTER

DEFAULT = 19'H00000

ADDRESS 0X64

Bit	Type	Symbol	Function
Bit 7	R	txcellCnt[7]	Transmit cell counter bit
Bit 6	R	txcellCnt[6]	Transmit cell counter bit
Bit 5	R	txcellCnt[5]	Transmit cell counter bit
Bit 4	R	txcellCnt[4]	Transmit cell counter bit
Bit 3	R	txcellCnt[3]	Transmit cell counter bit
Bit 2	R	txcellCnt[2]	Transmit cell counter bit
Bit 1	R	txcellCnt[1]	Transmit cell counter bit
Bit 0	R	txcellCnt[0]	Transmit cell counter bit

ADDRESS 0X65

Bit	Type	Symbol	Function
Bit 7	R	txcellCnt[15]	Transmit cell counter bit
Bit 6	R	txcellCnt[14]	Transmit cell counter bit
Bit 5	R	txcellCnt[13]	Transmit cell counter bit
Bit 4	R	txcellCnt[12]	Transmit cell counter bit
Bit 3	R	txcellCnt[11]	Transmit cell counter bit
Bit 2	R	txcellCnt[10]	Transmit cell counter bit
Bit 1	R	txcellCnt[9]	Transmit cell counter bit
Bit 0	R	txcellCnt[8]	Transmit cell counter bit

ADDRESS 0X66

Bit	Type	Symbol	Function
Bit 7	—	—	Reserved
Bit 6	—	—	Reserved
Bit 5	—	—	Reserved
Bit 4	—	—	Reserved
Bit 3	—	—	Reserved
Bit 2	R	txcellCnt[18]	Transmit cell counter bit
Bit 1	R	txcellCnt[17]	Transmit cell counter bit
Bit 0	R	txcellCnt[16]	Transmit cell counter bit

NOTE:

1. txcellCnt Transmit cell counter of the number of cells read from the transmit FIFO and inserted into the SPE. Idle/unassigned cells are not counted. This is a cumulative counter keeping track of tx cells from the previous poll of these registers. The count is polled by writing to either of these registers ('h64, 'h65, or 'h66), or to address 'h00. Such a write transfers accumulated errors to a holding register which may be read later, and the registers are cleared. This transfer and reset of the registers are done such that coincident events are not lost. All error/count registers in the transmit sections of the transmission convergence block or the cell delineation block may be polled by a write to the master register 'h00.

TRANSMIT CELL CONFIGURATION REGISTER DEFAULT = 8'B00001000

ADDRESS 0X67

Bit	Type	Symbol	Function										
Bit 7	R/W	txGFCen[3]	GFC enable bits. This determines which GFC bits on the TGFC input are accepted to be inserted into the transmit stream. If a GFCen bit is a logic one, the corresponding GFC input is inserted into the appropriate bit position.										
Bit 6	R/W	txGFCen[2]											
Bit 5	R/W	txGFCen[1]											
Bit 4	R/W	txGFCen[0]											
Bit 3	R/W	txFixSen	Fixed stuff column control enable in STS-1. When asserted high, the columns 30 and 59 of the transmitted SPE contains stuff bytes. The value of the stuff byte is a fixed pattern selected by the <i>fixByte</i> control.										
Bit 2	R/W	H4InsDis	Disable the insertion of the calculated H4 byte. A value of 0 is inserted for the H4 byte in the SPE.										
Bit 1	R/W	fixByte[1]	byte pattern to be inserted into the fixed stuff columns of STS-1 SPE. <table style="margin-left: auto; margin-right: auto;"> <tr> <td style="text-align: center;"><u>fixByte[1:0]</u></td> <td style="text-align: center;"><u>stuff byte pattern</u></td> </tr> <tr> <td style="text-align: center;">00</td> <td style="text-align: center;">'h00</td> </tr> <tr> <td style="text-align: center;">01</td> <td style="text-align: center;">'h55</td> </tr> <tr> <td style="text-align: center;">10</td> <td style="text-align: center;">'hAA</td> </tr> <tr> <td style="text-align: center;">11</td> <td style="text-align: center;">'hFF</td> </tr> </table>	<u>fixByte[1:0]</u>	<u>stuff byte pattern</u>	00	'h00	01	'h55	10	'hAA	11	'hFF
<u>fixByte[1:0]</u>	<u>stuff byte pattern</u>												
00	'h00												
01	'h55												
10	'hAA												
11	'hFF												
Bit 0	R/W	fixByte[0]											

TRANSMIT ID ADDRESS REGISTER DEFAULT = 8'B0000000

ADDRESS 0X68

Bit	Type	Symbol	Function
Bit 7	—	—	Reserved
Bit 6	—	—	Reserved
Bit 5	—	—	Reserved
Bit 4	—	—	Reserved
Bit 3	—	—	Reserved
Bit 2	—	—	Reserved
Bit 1	R/W	txIDAddr[1]	Device ID value for the transmit portion of the transmit UTOPIA logic. In multi-PHY mode, the appropriate transmit UTOPIA signals are driven as per UTOPIA level 2 protocol when the TXADDR bus value matches the value in this register. This has no effect in single-PHY mode.
Bit 0	R/W	txIDAddr[0]	

RECEIVE BER STATUS/CONTROL REGISTER

DEFAULT = 8'B00000011

ADDRESS 0X70

Bit	Type	Symbol	Function
Bit 7	—	—	Reserved
Bit 6	—	—	Reserved
Bit 5	—	—	Reserved
Bit 4	—	—	Reserved
Bit 3	R/W	FailEn	Interrupt enable for BER failure. Enables the generation of an interrupt upon the detection of a BER failure condition.
Bit 2	R/W	WarnEn	Interrupt enable for BER warning. Enables the generation of an interrupt upon the detection of a BER warning condition.
Bit 1	R/W	BERfail	BER failure status indication. It is initially asserted at reset. Clearing this bit triggers the BER failure algorithm. This bit is cleared when the register is read. It is also as the indication of B2 EBER.
Bit 0	R/W	BERwarn	BER warning status indication. It is initially asserted at reset. Clearing this bit triggers the BER warning algorithm. This bit is cleared when the register is read.

RECEIVE BER FAIL THRESHOLD REGISTER

DEFAULT = 8'B00000000

ADDRESS 0X71

Bit	Type	Symbol	Function
Bit 7	R/W	ThldFail[7]	Value for the failure threshold of the BER fail algorithm.
Bit 6	R/W	ThldFail[6]	
Bit 5	R/W	ThldFail[5]	
Bit 4	R/W	ThldFail[4]	
Bit 3	R/W	ThldFail[3]	
Bit 2	R/W	ThldFail[2]	
Bit 1	R/W	ThldFail[1]	
Bit 0	R/W	ThldFail[0]	

RECEIVE BER FAIL WINDOW REGISTER

DEFAULT = 8'B0000000

ADDRESS 0X72

Bit	Type	Symbol	Function
Bit 7	R/W	WinFail[7]	Value for the window length of the BER fail algorithm.
Bit 6	R/W	WinFail[6]	
Bit 5	R/W	WinFail[5]	
Bit 4	R/W	WinFail[4]	
Bit 3	R/W	WinFail[3]	
Bit 2	R/W	WinFail[2]	
Bit 1	R/W	WinFail[1]	
Bit 0	R/W	WinFail[0]	

RECEIVE BER FAIL DENOMINATOR REGISTER

DEFAULT = 16'H0000

ADDRESS 0X73

Bit	Type	Symbol	Function
Bit 7	R/W	DenFail[7]	LSB value for the denominator count for the BER fail algorithm.
Bit 6	R/W	DenFail[6]	
Bit 5	R/W	DenFail[5]	
Bit 4	R/W	DenFail[4]	
Bit 3	R/W	DenFail[3]	
Bit 2	R/W	DenFail[2]	
Bit 1	R/W	DenFail[1]	
Bit 0	R/W	DenFail[0]	

ADDRESS 0X74

Bit	Type	Symbol	Function
Bit 7	R/W	DenFail[15]	MSB value for the denominator count for the BER fail algorithm.
Bit 6	R/W	DenFail[14]	
Bit 5	R/W	DenFail[13]	
Bit 4	R/W	DenFail[12]	
Bit 3	R/W	DenFail[11]	
Bit 2	R/W	DenFail[10]	
Bit 1	R/W	DenFail[9]	
Bit 0	R/W	DenFail[8]	

RECEIVE BER WARNING THRESHOLD REGISTER

DEFAULT = 8'B0000000

ADDRESS 0X75

Bit	Type	Symbol	Function
Bit 7	R/W	ThldWarn[7]	Value for the failure threshold of the BER warning algorithm.
Bit 6	R/W	ThldWarn[6]	
Bit 5	R/W	ThldWarn[5]	
Bit 4	R/W	ThldWarn[4]	
Bit 3	R/W	ThldWarn[3]	
Bit 2	R/W	ThldWarn[2]	
Bit 1	R/W	ThldWarn[1]	
Bit 0	R/W	ThldWarn[0]	

RECEIVE BER WARNING WINDOW REGISTER

DEFAULT = 8'B0000000

ADDRESS 0X76

Bit	Type	Symbol	Function
Bit 7	R/W	WinWarn[7]	Value for the window length of the BER warning algorithm.
Bit 6	R/W	WinWarn[6]	
Bit 5	R/W	WinWarn[5]	
Bit 4	R/W	WinWarn[4]	
Bit 3	R/W	WinWarn[3]	
Bit 2	R/W	WinWarn[2]	
Bit 1	R/W	WinWarn[1]	
Bit 0	R/W	WinWarn[0]	

RECEIVE BER WARNING DENOMINATOR REGISTER

DEFAULT = 16'H0000

ADDRESS 0X77

Bit	Type	Symbol	Function
Bit 7	R/W	DenWarn[7]	LSB value for the denominator count for the BER warning algorithm.
Bit 6	R/W	DenWarn[6]	
Bit 5	R/W	DenWarn[5]	
Bit 4	R/W	DenWarn[4]	
Bit 3	R/W	DenWarn[3]	
Bit 2	R/W	DenWarn[2]	
Bit 1	R/W	DenWarn[1]	
Bit 0	R/W	DenWarn[0]	

ADDRESS 0X78

Bit	Type	Symbol	Function
Bit 7	R/W	DenWarn[15]	MSB value for the denominator count for the BER warning algorithm.
Bit 6	R/W	DenWarn[14]	
Bit 5	R/W	DenWarn[13]	
Bit 4	R/W	DenWarn[12]	
Bit 3	R/W	DenWarn[11]	
Bit 2	R/W	DenWarn[10]	
Bit 1	R/W	DenWarn[9]	
Bit 0	R/W	DenWarn[8]	

OUTPUT PECL CONTROL REGISTER

DEFAULT = 8'B0000000

ADDRESS 0X7F

Bit	Type	Symbol	Function
Bit 7	—	—	Reserved
Bit 6	—	—	Reserved
Bit 5	—	—	Reserved
Bit 4	—	—	Reserved
Bit 3	—	—	Reserved
Bit 2	R/W	pcctl_tc	PECL output control for TXC+/- output. If set to logic one, the output is true PECL. the default is a rail-to-rail swing.
Bit 1	R/W	pcctl_td	PECL output control for TXD+/- output. If set to logic one, the output is true PECL. the default is a rail-to-rail swing.
Bit 0	R/W	pcctl_r	PECL output control for RXDO+/- output. If set to logic one, the output is true PECL. the default is a rail-to-rail swing.

SYMBOL	DISCRIPTION	MIN.	MAX.	UNITS
	TFCLK frequency		40	MHz
	TFCLK duty cycle	40%	60%	%
	RFCLK frequency		40	MHz
	RFCLK duty cycle	40%	60%	%
	Receive line clock duty cycle	40%	60%	%
	Receive line clock duty cycle	40%	60%	%
tRSO	Receive clock RCLK to RCP/RGFC valid	2	15	ns
tALHD	Address to latch enable hold time	10		ns
tALSU	Address to latch enable setup time	20		ns
tARHD	Address to read hold time	5		ns
tARSU	Address to read setup time	25		ns
tAWHD	Address to write hold time	5		ns
tAWSU	Address to write setup time	25		ns
tBB	Time between consecutive operations	150		ns
tDT	Read to output data tristate	20		ns
tDWHD	Data to write hold time	1		ns
tDWSU	Data to write setup time	5		ns
tGHD	TGFC hold to TCLK	1		ns
tTHD	Input hold to TFCLK applies to TSOC, TWRENB, TDAT, and TXPRTY	1		ns
tRHD	Input hold to RFCLK applies to RRDENB	1		ns
tLRHD	Latch enable to read hold time	5		ns
tLRSU	Latch enable to read setup time	5		ns
tLW	Latch enable pulse width	20		ns
tLWHD	Latch enable to write hold time	5		ns
tLWSU	Latch enable to write setup time	5		ns
tTOV	TFCLK to output valid applies to TCA	1	20	ns
tROV	RFCLK to output valid applies to RSOC, RDAT, RCA, and RXPRTY	1	20	ns
tRD	Valid read to data propagation delay		80	ns
tRDHD	Receive data hold time (RBYP high)	1		ns
tGSO	Transmit clock TCLK to RCP valid	2	15	ns
tSOV	Transmit line clock output low to transmit differential data output	-2	2	ns
tRDSU	Receive data setup time (RBYP high)	2		ns
tTSU	Input setup to TFCLK applies to TSOC, TWRENB, TDAT, and TXPRTY	8		ns
tRSU	Input setup to RFCLK applies to RRDENB	8		ns
tGSU	TGFC set up to TCLK	10		ns
tWW	Write pulse width	40		ns

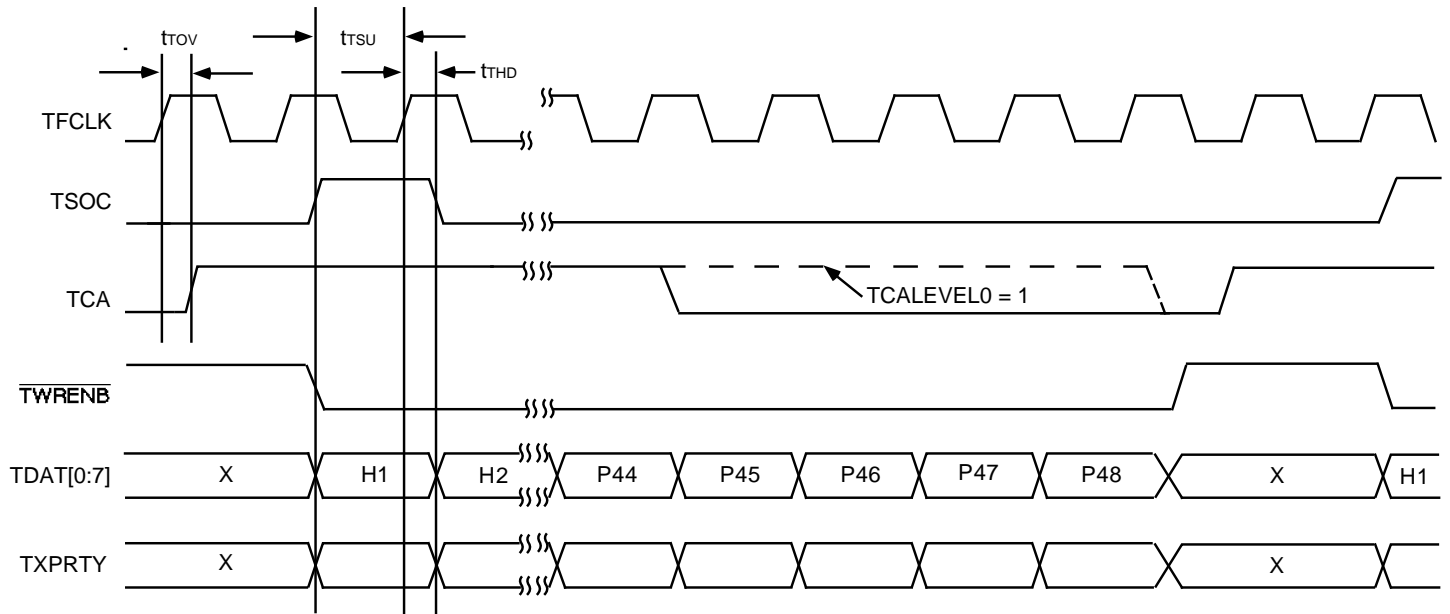


Figure 11. Transmit Timing for UTOPIA Interface

SYMBOL	DISCRIPTION	MIN.	MAX.	UNITS
	TFCLK frequency		40	MHz
	TFCLK duty cycle	40%	60%	%
tTHD	Input hold to TFCLK applies to TSOC, TWRENB, TDAT, and TXPRTY	1		ns
tTOV	TFCLK to output valid applies to TCA	1	20	ns
tTSU	Input setup to TFCLK applies to TSOC, TWRENB, TDAT, and TXPRTY	8		ns

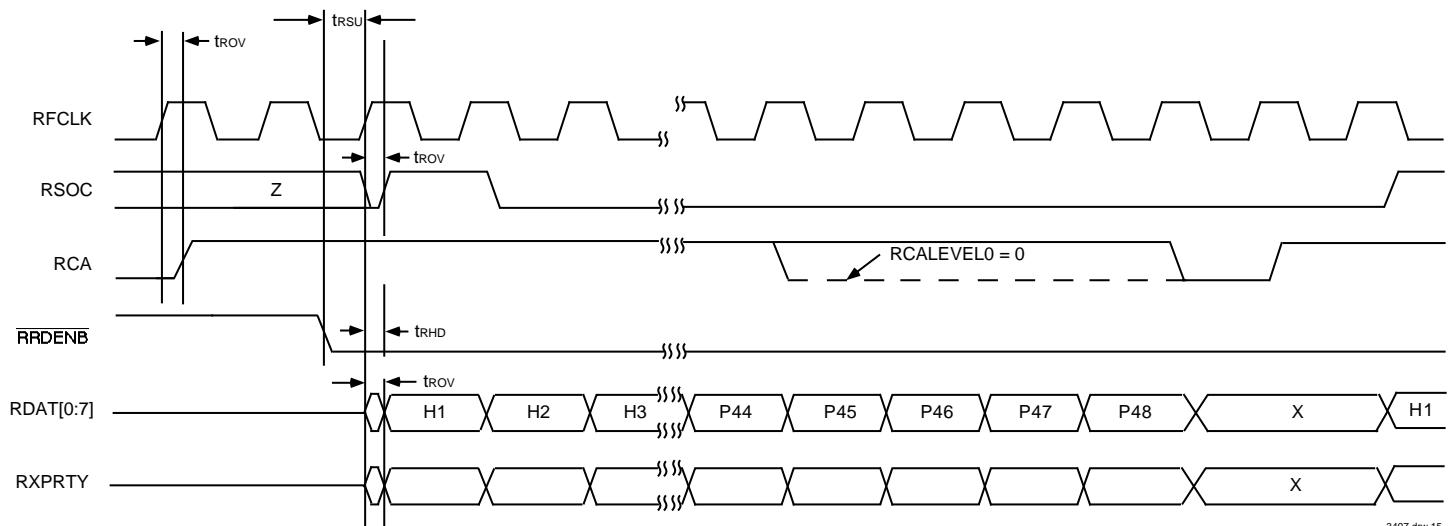
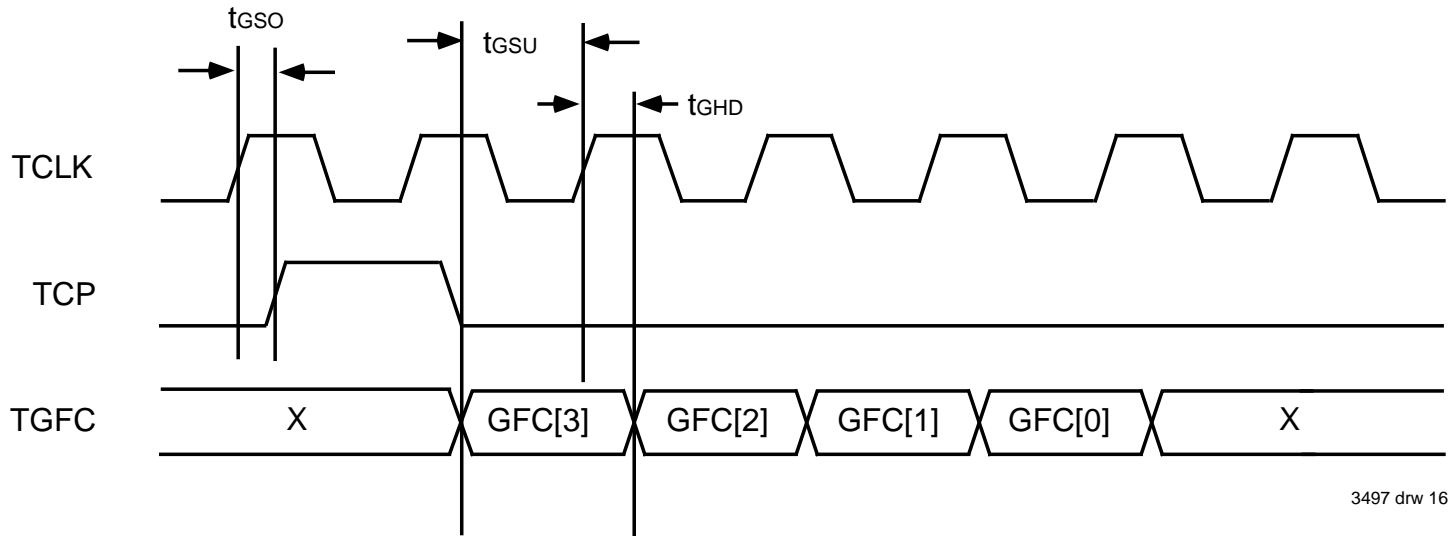


Figure 12. Receive Timing for UTOPIA Interface

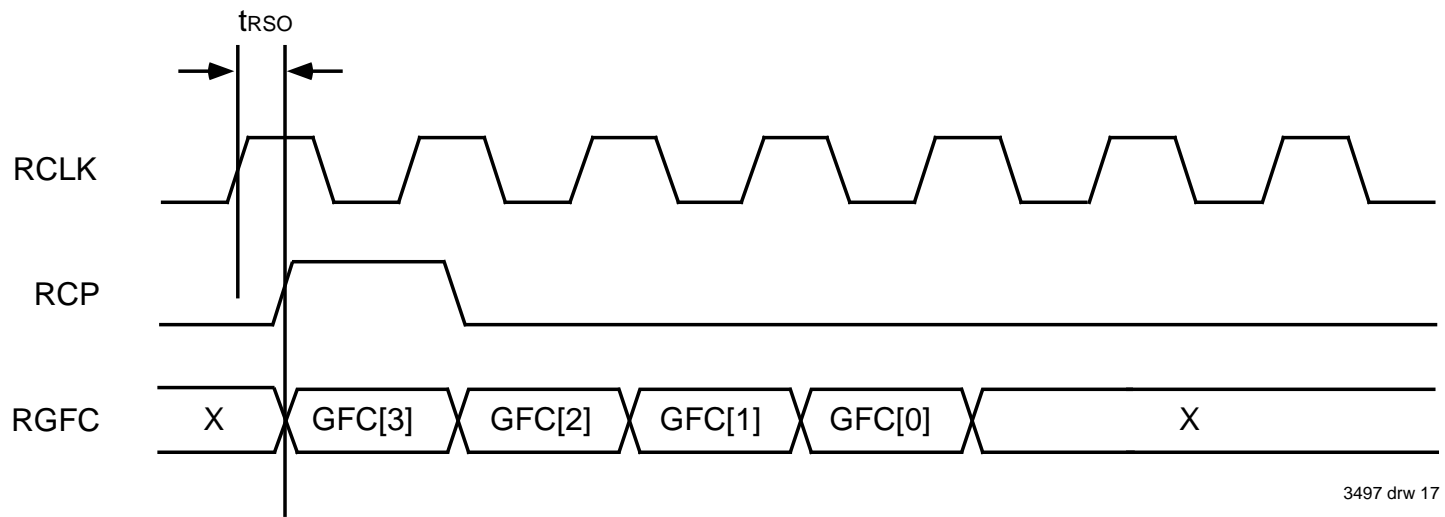
SYMBOL	DISCRIPTION	MIN.	MAX.	UNITS
	RFCLK frequency		40	MHz
	RFCLK duty cycle	40%	60%	%
tRHD	Input hold to RFCLK applies to RRDENB	1		ns
tROV	RFCLK to output valid applies to RSOC, RDAT, RCA, and RXPRTY	1	20	ns
tRSU	Input setup to RFCLK applies to RRDENB	8		ns



3497 drw 16

Figure 13. Transmit GFC Serial Link Timing

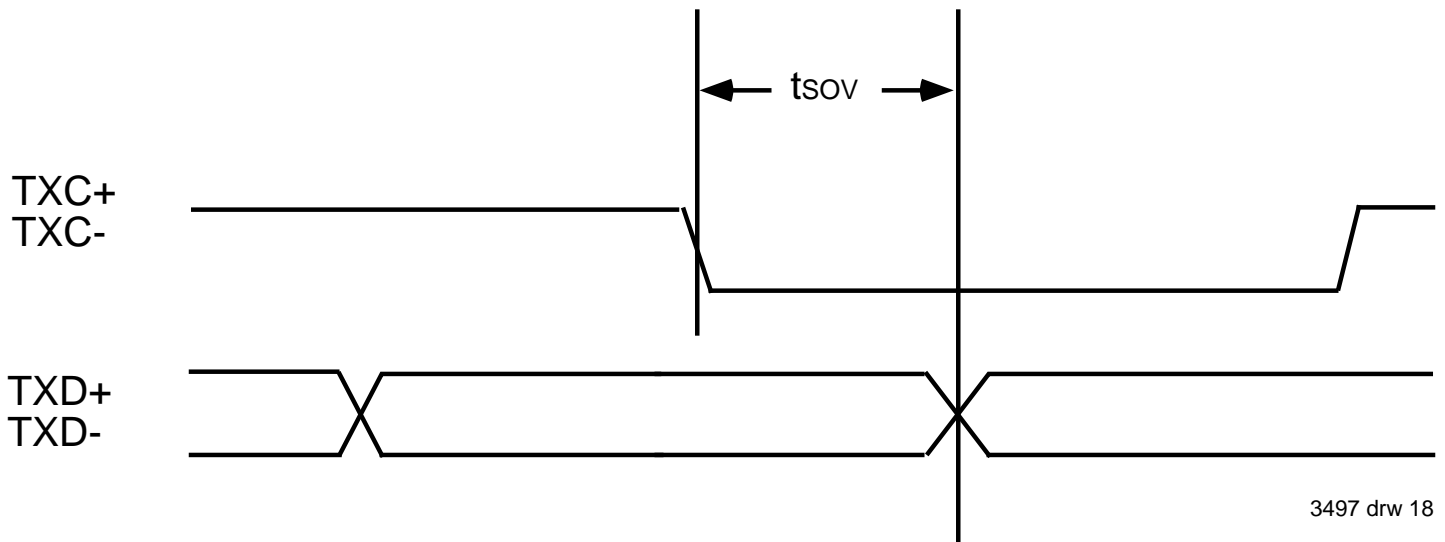
SYMBOL	DISCRIPTION	MIN.	MAX.	UNITS
tGHD	TGFC hold to TCLK	1		ns
tGSO	Transmit clock TCLK to TCP valid	2	15	ns
tGSU	TGFC set up to TCLK	10		ns



3497 drw 17

Figure 14. Receive GFC Serial Link Timing

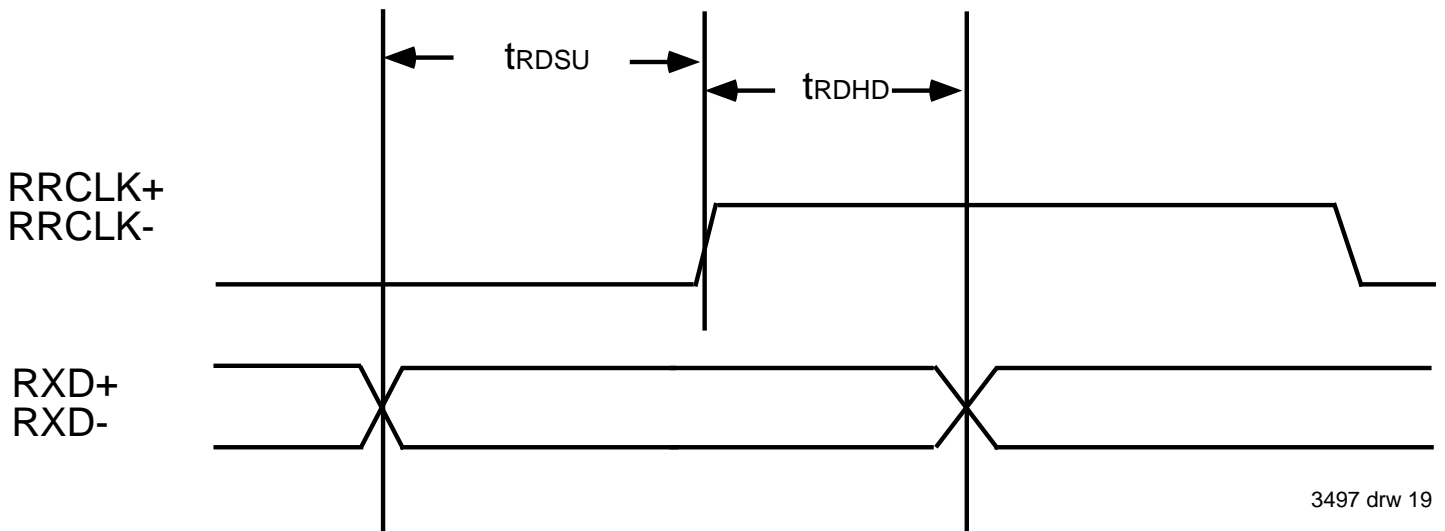
SYMBOL	DISCRIPTION	MIN.	MAX.	UNITS
tRSO	Receive clock RCLK to RCP/RGFC valid	2	15	ns



3497 drw 18

Figure 15. Line Interface Transmit Timing

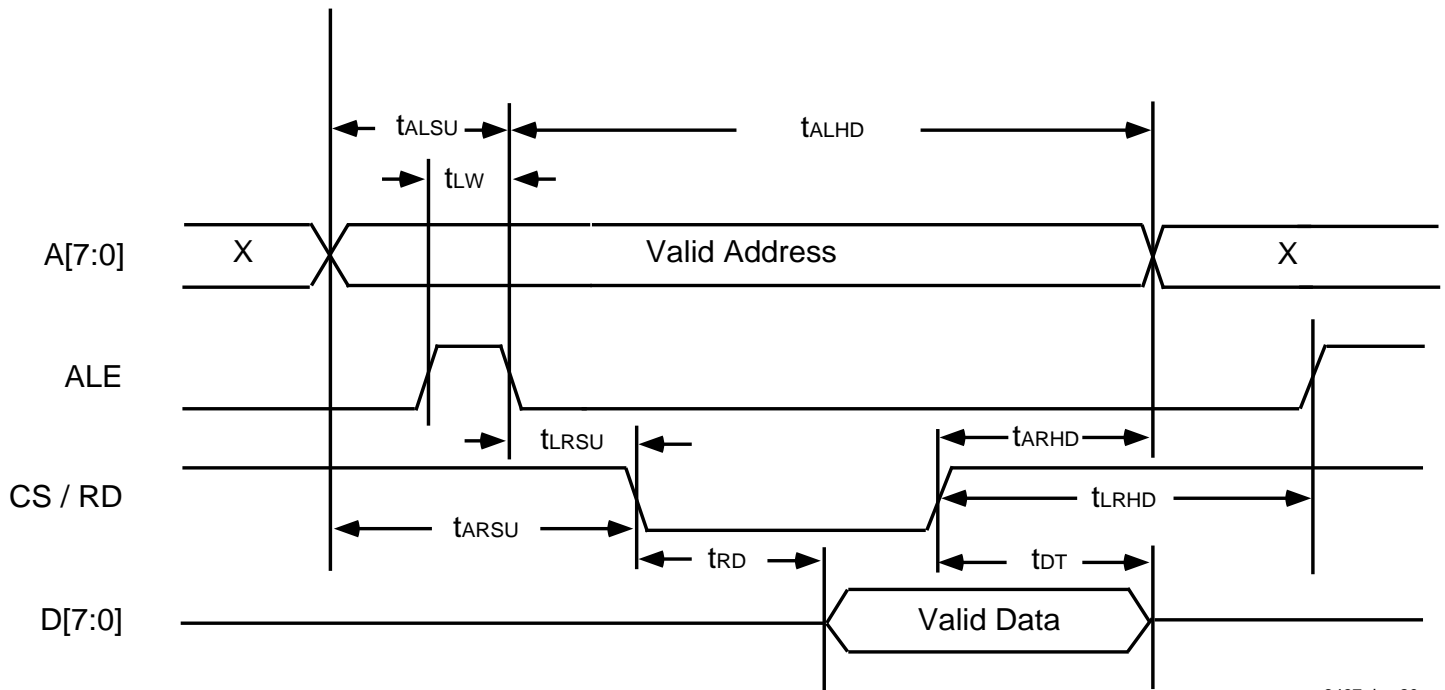
SYMBOL	DISCRIPTION	MIN.	MAX.	UNITS
	Receive line clock duty cycle (155.52 MHz or 51.84 MHz - RBYP high) (19.44 MHz or 6.48 MHz - RBYP low)	40%	60%	%
tSOV	Transmit line clock output low to transmit differential data output	-2	2	ns



3497 drw 19

Figure 16. Line Interface Receive Timing

SYMBOL	DISCRIPTION	MIN.	MAX.	UNITS
	Receive line clock duty cycle (155.52 MHz or 51.84 MHz - RBYP high) (19.44 MHz or 6.48 MHz - RBYP low)	40%	60%	%
tRDHD	Receive data hold time (RBYP high)	1		ns
tRDSU	Receive data setup time (RBYP high)	2		ns

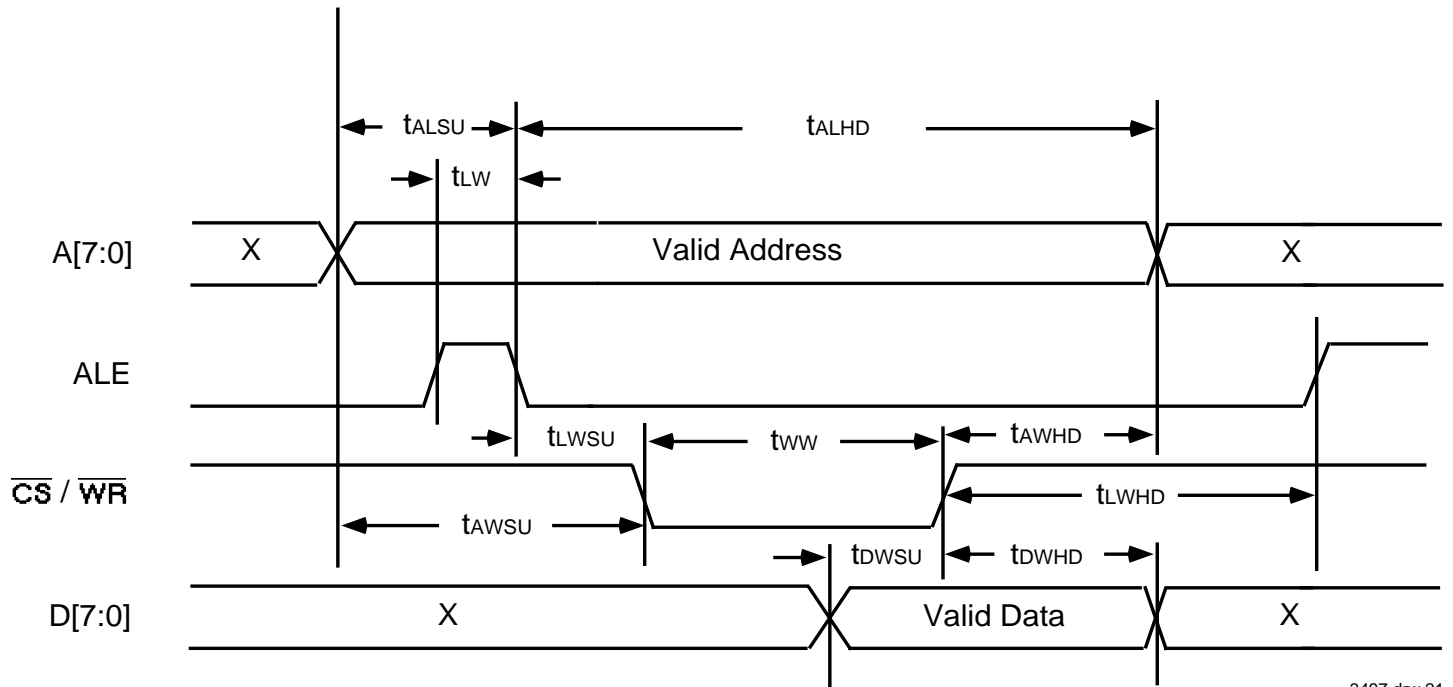


3497 drw 20

Figure 17. Microprocessor Read Timing

SYMBOL	DISCRIPTION	MIN.	MAX.	UNITS
tALHD	Address to latch enable hold time	10		ns
tALSU	Address to latch enable setup time	20		ns
tARHD	Address to read hold time	5		ns
tARSU	Address to read setup time	25		ns
tDT	Read to output data tristate	20		ns
tLRHD	Latch enable to read hold time	5		ns
tLRSU	Latch enable to read setup time	5		ns
tLW	Latch enable pulse width	20		ns
tRD	Valid read to data propagation delay		80	ns

SYMBOL	DISCRIPTION	MIN.	MAX.	UNITS
tBB	Time between consecutive operations	150		ns



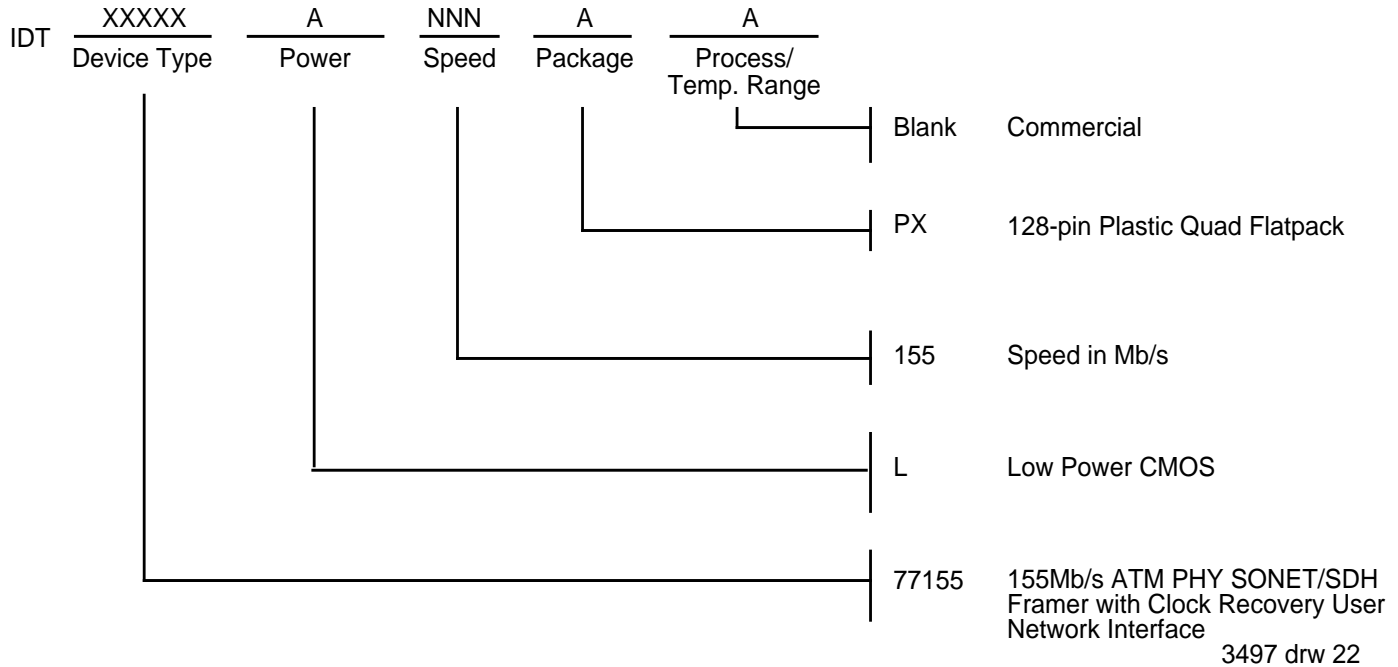
3497 drw 21

Figure 18. Microprocessor Write Timing

SYMBOL	DISCRIPTION	MIN.	MAX.	UNITS
tALHD	Address to latch enable hold time	10		ns
tALSU	Address to latch enable setup time	20		ns
tAWHD	Address to write hold time	5		ns
tAWSU	Address to write setup time	25		ns
tDWHHD	Data to write hold time	1		ns
tDWSU	Data to write setup time	5		ns
tLW	Latch enable pulse width	20		ns
tLWHD	Latch enable to write hold time	5		ns
tLWSU	Latch enable to write setup time	5		ns
tWW	Write pulse width	40		ns

SYMBOL	DISCRIPTION	MIN.	MAX.	UNITS
tBB	Time between consecutive operations	150		ns

ORDERING INFORMATION



ADVANCE INFORMATION DATASHEET: DEFINITION

"Advance Information" datasheets contain initial descriptions, subject to change, for products that are in development, including features and block diagrams.

Datasheet Document History

- 1/10/96: Initial Public Release
- 2/16/96: Corrected Package Designator to PQF
- 4/9/96: Revised Public Release
- 9/16/96: Corrected block diagrams, made minor text clarifications.
- 11/26/95: Added timing diagrams and corrected signals that are active low.

Integrated Device Technology, Inc. reserves the right to make changes to the specifications in this data sheet in order to improve design or performance and to supply the best possible product.

Integrated Device Technology, Inc.

2975 Stender Way, Santa Clara, CA 95054-3090

Telephone: (408) 727-6116

FAX 408-492-8674

This datasheet has been downloaded from:

www.DatasheetCatalog.com

Datasheets for electronic components.



LittleDiode supplies new, hard to find or obsolete electronic components and semiconductors all over the world.

With over two million different components listed you are sure to find the part you need.

Feel free to visit us today at our online store:

LittleDiode.com

Looking forward to providing you with the best possible service.