

INA132

Low Power, Single-Supply DIFFERENCE AMPLIFIER

FEATURES

- **LOW QUIESCENT CURRENT:** 160 μ A
- **WIDE SUPPLY RANGE**
Single Supply: 2.7V to 36V
Dual Supplies: ± 1.35 V to ± 18 V
- **LOW GAIN ERROR:** $\pm 0.075\%$ max
- **LOW NONLINEARITY:** 0.001% max
- **HIGH CMR:** 90dB
- **HIGHLY VERSATILE CIRCUIT**
- **EASY TO USE**
- **LOW COST**
- **8-PIN DIP AND SO-8 PACKAGES**

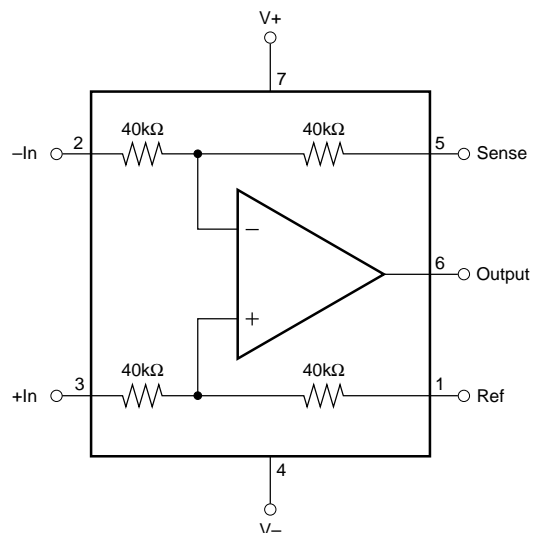
APPLICATIONS

- **DIFFERENTIAL INPUT AMPLIFIER**
- **INSTRUMENTATION AMPLIFIER BUILDING BLOCK**
- **UNITY-GAIN INVERTING AMPLIFIER**
- **G = 1/2 AMPLIFIER**
- **G = 2 AMPLIFIER**
- **SUMMING AMPLIFIER**
- **DIFFERENTIAL CURRENT RECEIVER**
- **VOLTAGE-CONTROLLED CURRENT SOURCE**
- **BATTERY-POWERED SYSTEMS**
- **GROUND LOOP ELIMINATOR**

DESCRIPTION

The INA132 is a low power, unity-gain differential amplifier consisting of a precision op amp with a precision resistor network. The on-chip resistors are laser trimmed for accurate gain and high common-mode rejection. Excellent TCR tracking of the resistors maintains gain accuracy and common-mode rejection over temperature. The internal op amp's common-mode range extends to the negative supply—ideal for single-supply applications. It operates on single (2.7V to 36V) or dual supplies (± 1.35 V to ± 18 V).

The differential amplifier is the foundation of many commonly used circuits. The INA132 provides this circuit function without using an expensive precision resistor network. The INA132 is available in 8-pin DIP and SO-8 surface-mount packages and is specified for operation over the extended industrial temperature range, -40°C to $+85^{\circ}\text{C}$.



SPECIFICATIONS: $V_S = \pm 15V$

At $T_A = +25^\circ C$, $V_S = \pm 15V$, $R_L = 10k\Omega$ connected to Ground, and Reference Pin connected to Ground, unless otherwise noted.

PARAMETER	CONDITIONS	INA132P, U			INA132PA, UA			UNITS
		MIN	TYP	MAX	MIN	TYP	MAX	
OFFSET VOLTAGE⁽¹⁾	RTO							
Initial			± 75	± 250		*	± 500	μV
vs Temperature			± 1	± 5		*	$\pm 10^{(4)}$	$\mu V/^\circ C$
vs Power Supply	$V_S = \pm 1.35V$ to $\pm 18V$		± 5	± 30		*	*	$\mu V/V$
vs Time			0.3			*		$\mu V/mo$
INPUT IMPEDANCE⁽²⁾								
Differential			80			*		k Ω
Common-Mode			80			*		k Ω
INPUT VOLTAGE RANGE								
Common-Mode Voltage Range	$V_O = 0V$	(V-)		$2(V+)-2$	*		*	V
Common-Mode Rejection	$V_{CM} = -15V$ to $28V$, $R_S = 0\Omega$	76	90		70	*		dB
OUTPUT VOLTAGE NOISE⁽³⁾	RTO							
f = 0.1Hz to 10Hz			1.6			*		$\mu Vp-p$
f = 1kHz			65			*		nV/ \sqrt{Hz}
GAIN								
Initial			1			*		V/V
Error	$V_O = -14V$ to $13.5V$		± 0.01	± 0.075		*	± 0.1	%
vs Temperature ⁽⁴⁾			± 1	± 10		*	*	ppm/ $^\circ C$
vs Nonlinearity	$V_O = -14V$ to $13.5V$		± 0.0001	± 0.001		*	± 0.002	% of FS
OUTPUT								
Voltage, Positive	$R_L = 100k\Omega$ to Ground	(V+)-1	(V+)-0.8		*	*		V
Negative	$R_L = 100k\Omega$ to Ground	(V-)+0.5	(V-)+0.15		*	*		V
Positive	$R_L = 10k\Omega$ to Ground	(V+)-1.5	(V+)-0.8		*	*		V
Negative	$R_L = 10k\Omega$ to Ground	(V-)+1	(V-)+0.25		*	*		V
Current Limit, Continuous to Common Capacitive Load (Stable Operation)			± 12 10,000			*		mA pF
FREQUENCY RESPONSE								
Small Signal Bandwidth	-3dB		300			*		kHz
Slew Rate			0.1			*		V/ μs
Settling Time: 0.1%	$V_O = 10V$ Step		85			*		μs
0.01%	$V_O = 10V$ Step		88			*		μs
Overload Recovery Time	50% Overdrive		7			*		μs
POWER SUPPLY								
Rated Voltage			± 15			*	*	V
Voltage Range		± 1.35		± 18	*		*	V
Quiescent Current	$I_O = 0mA$		± 160	± 185		*	*	μA
TEMPERATURE RANGE								
Specification		-40		+85	*		*	$^\circ C$
Operation		-55		+125	*		*	$^\circ C$
Storage		-55		+125	*		*	$^\circ C$
Thermal Resistance, θ_{JA}								
8-Pin DIP			100			*		$^\circ C/W$
SO-8 Surface-Mount			150			*		$^\circ C/W$

*Specifications the same as INA132P.

NOTES: (1) Includes effects of amplifier's input bias and offset currents. (2) 40k Ω resistors are ratio matched but have $\pm 20\%$ absolute value. (3) Includes effects of amplifier's input current noise and thermal noise contribution of resistor network. (4) Guaranteed by wafer test to 95% confidence level.

The information provided herein is believed to be reliable; however, BURR-BROWN assumes no responsibility for inaccuracies or omissions. BURR-BROWN assumes no responsibility for the use of this information, and all use of such information shall be entirely at the user's own risk. Prices and specifications are subject to change without notice. No patent rights or licenses to any of the circuits described herein are implied or granted to any third party. BURR-BROWN does not authorize or warrant any BURR-BROWN product for use in life support devices and/or systems.

SPECIFICATIONS: $V_S = +5V$

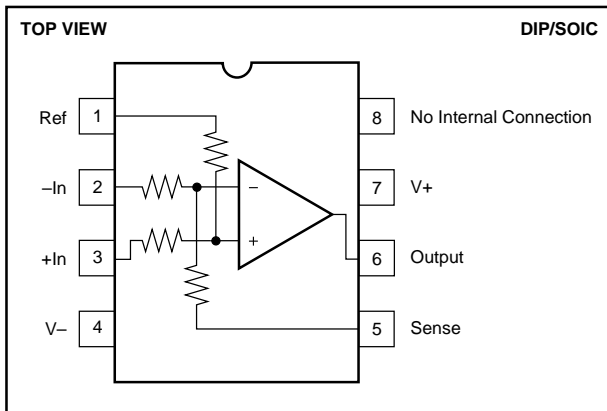
At $T_A = +25^\circ\text{C}$, $V_S = +5V$, $R_L = 10k\Omega$ connected to $V_G/2$, and Reference Pin connected to $V_G/2$, unless otherwise noted.

PARAMETER	CONDITIONS	INA132P, U			INA132PA, UA			UNITS
		MIN	TYP	MAX	MIN	TYP	MAX	
OFFSET VOLTAGE⁽¹⁾	RTO							
Initial vs Temperature			± 150 ± 2	± 500		*	± 750	μV $\mu\text{V}/^\circ\text{C}$
INPUT VOLTAGE RANGE								
Common-Mode Voltage Range		0		$2(V^+)-2$	*		*	V
Common-Mode Rejection	$V_{CM} = 0V$ to $8V$, $R_S = 0\Omega$	76	90		70	*		dB
OUTPUT								
Voltage, Positive	$R_L = 100k\Omega$	$(V^+)-1$	$(V^+)-0.75$		*	*		V
Negative	$R_L = 100k\Omega$	$+0.25$	$+0.06$		*	*		V
Positive	$R_L = 10k\Omega$	$(V^+)-1$	$(V^+)-0.8$		*	*		V
Negative	$R_L = 10k\Omega$	$+0.25$	$+0.12$		*	*		V
POWER SUPPLY								
Rated Voltage			+5		*	*		V
Voltage Range		+2.7		+36	*		*	V
Quiescent Current	$I_O = 0\text{mA}$		± 155	± 185		*	*	μA

*Specifications the same as INA132P.

NOTE: (1) Include effects of amplifier's input bias and offset currents.

PIN CONFIGURATION



ABSOLUTE MAXIMUM RATINGS

Supply Voltage, V^+ to V^-	36V
Input Voltage Range	$\pm 80V$
Output Short-Circuit (to ground)	Continuous
Operating Temperature	-55°C to $+125^\circ\text{C}$
Storage Temperature	-55°C to $+125^\circ\text{C}$
Junction Temperature	$+150^\circ\text{C}$
Lead Temperature (soldering, 10s)	$+300^\circ\text{C}$

ORDERING INFORMATION

PRODUCT	PACKAGE	PACKAGE DRAWING NUMBER ⁽¹⁾	TEMPERATURE RANGE
INA132PA	8-Pin Plastic DIP	006	-40°C to $+85^\circ\text{C}$
INA132P	8-Pin Plastic DIP	006	-40°C to $+85^\circ\text{C}$
INA132UA	SO-8 Surface-Mount	182	-40°C to $+85^\circ\text{C}$
INA132U	SO-8 Surface-Mount	182	-40°C to $+85^\circ\text{C}$

NOTE: (1) For detailed drawing and dimension table, please see end of data sheet, or Appendix C of Burr-Brown IC Data Book.

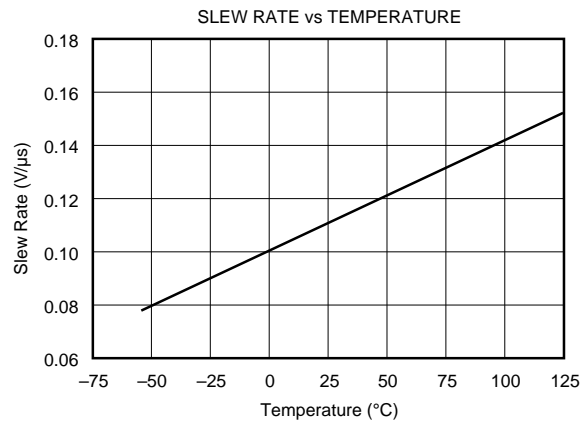
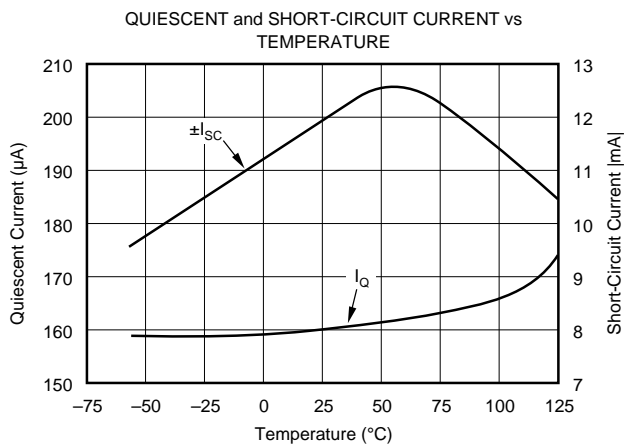
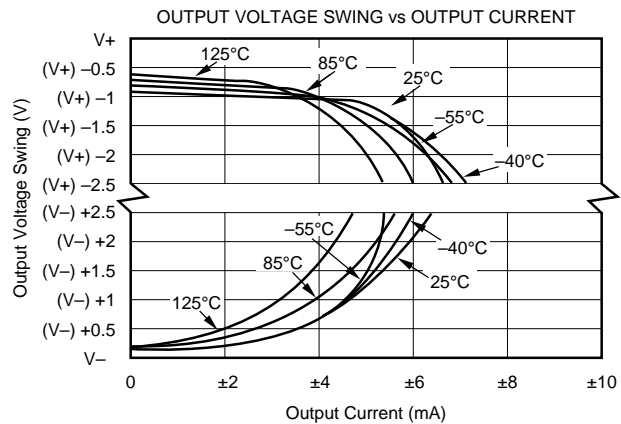
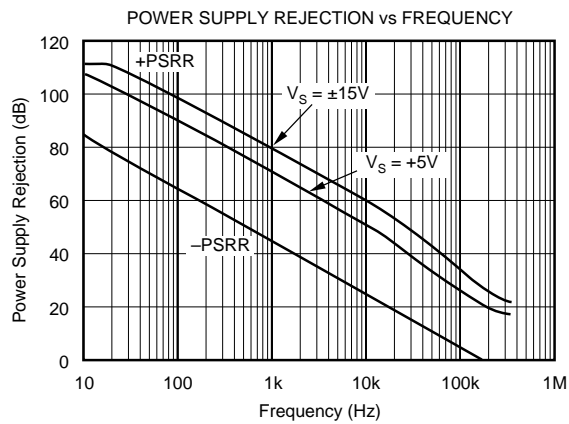
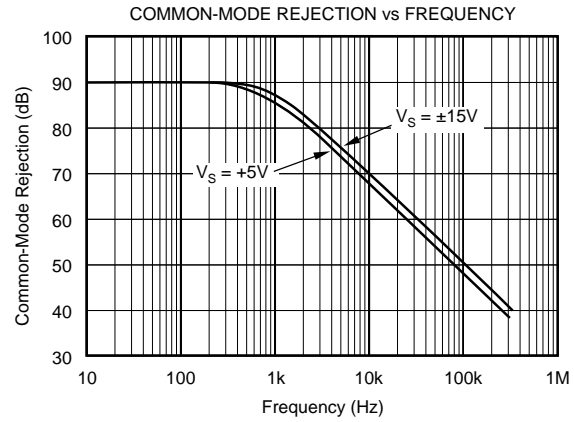
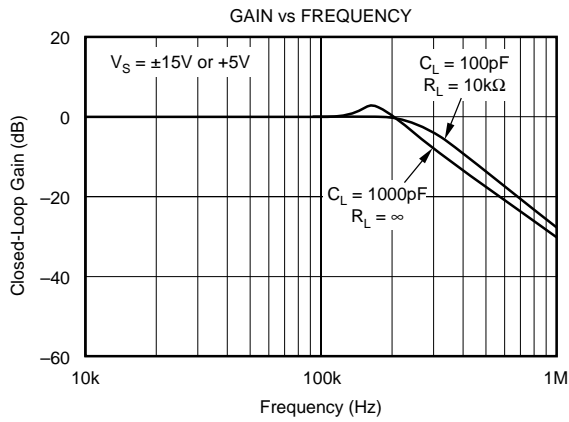
ELECTROSTATIC DISCHARGE SENSITIVITY

This integrated circuit can be damaged by ESD. Burr-Brown recommends that all integrated circuits be handled with appropriate precautions. Failure to observe proper handling and installation procedures can cause damage.

ESD damage can range from subtle performance degradation to complete device failure. Precision integrated circuits may be more susceptible to damage because very small parametric changes could cause the device not to meet its published specifications.

TYPICAL PERFORMANCE CURVES

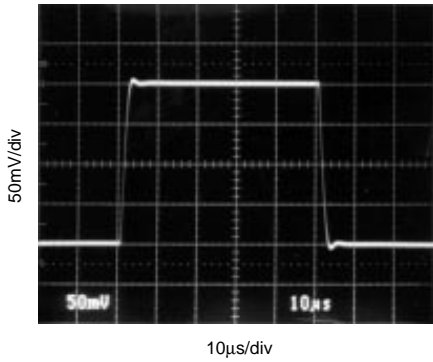
At $T_A = +25^\circ\text{C}$ and $V_S = \pm 15\text{V}$, unless otherwise noted.



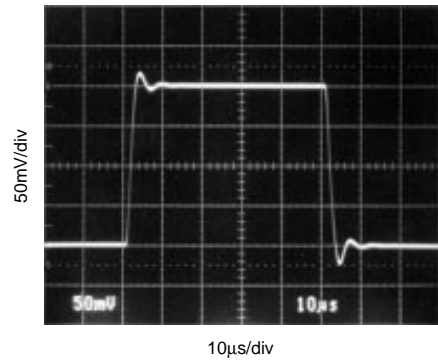
TYPICAL PERFORMANCE CURVES (CONT)

At $T_A = +25^\circ\text{C}$ and $V_S = \pm 15\text{V}$, unless otherwise noted.

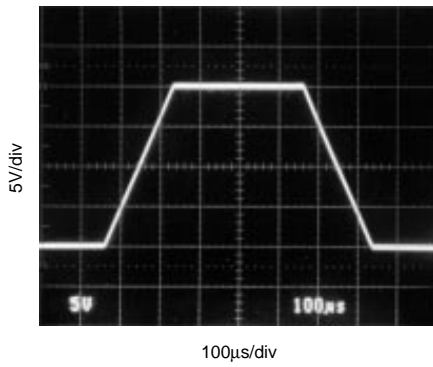
SMALL-SIGNAL STEP RESPONSE
 $C_L = 200\text{pF}$



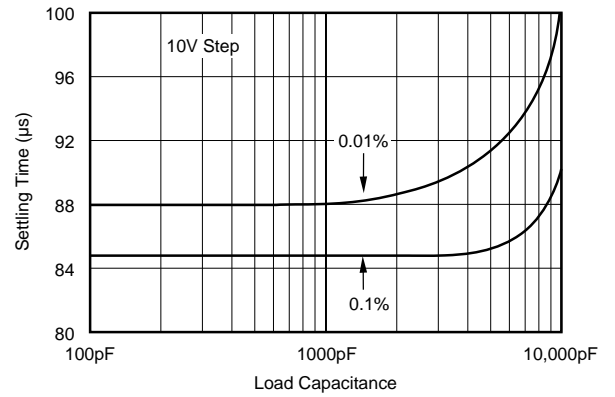
SMALL-SIGNAL STEP RESPONSE
 $C_L = 1000\text{pF}$



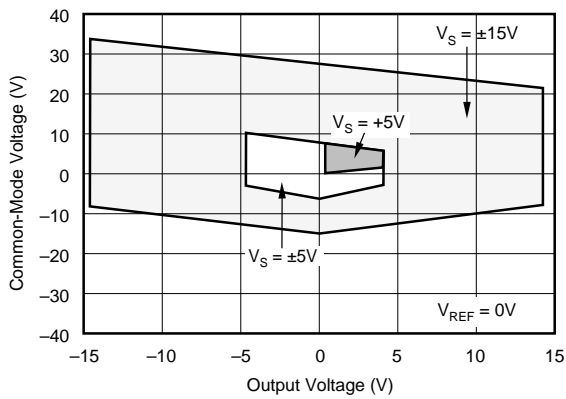
LARGE-SIGNAL STEP RESPONSE



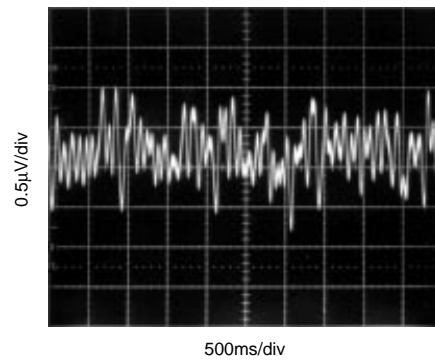
SETTLING TIME vs LOAD CAPACITANCE



INPUT COMMON-MODE VOLTAGE RANGE vs OUTPUT VOLTAGE

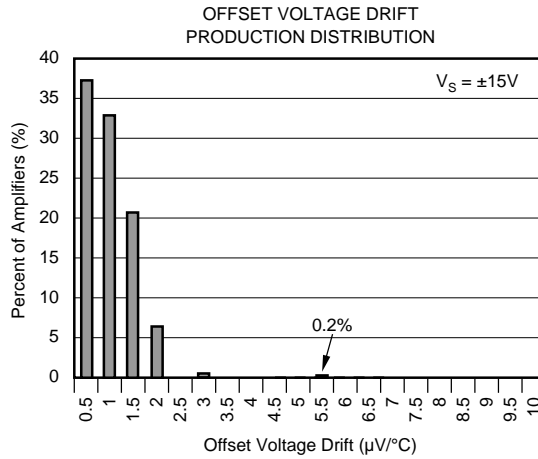
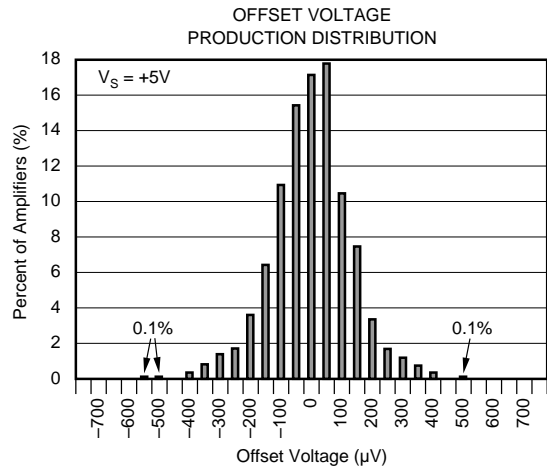
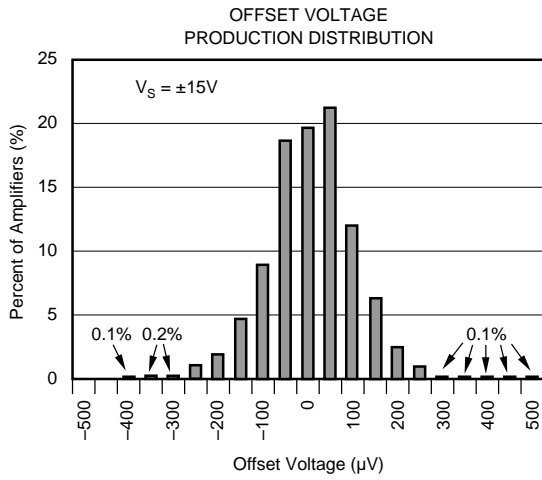


0.1 to 10Hz PEAK-TO-PEAK VOLTAGE NOISE



TYPICAL PERFORMANCE CURVES (CONT)

At $T_A = +25^\circ\text{C}$ and $V_S = \pm 15\text{V}$, unless otherwise noted.



APPLICATIONS INFORMATION

Figure 1 shows the basic connections required for operation of the INA132. Power supply bypass capacitors should be connected close to the device pins.

The differential input signal is connected to pins 2 and 3 as shown. The source impedances connected to the inputs must be nearly equal to assure good common-mode rejection. An 8Ω mismatch in source impedance will degrade the common-mode rejection of a typical device to approximately 80dB. Gain accuracy will also be slightly affected. If the source has a known impedance mismatch, an additional resistor in series with one input can be used to preserve good common-mode rejection.

Do not interchange pins 1 and 3 or pins 2 and 5, even though nominal resistor values are equal. These resistors are laser trimmed for precise resistor ratios to achieve accurate gain and highest CMR. Interchanging these pins would not provide specified performance. As shown in Figure 1, measurements should be sensed at the load.

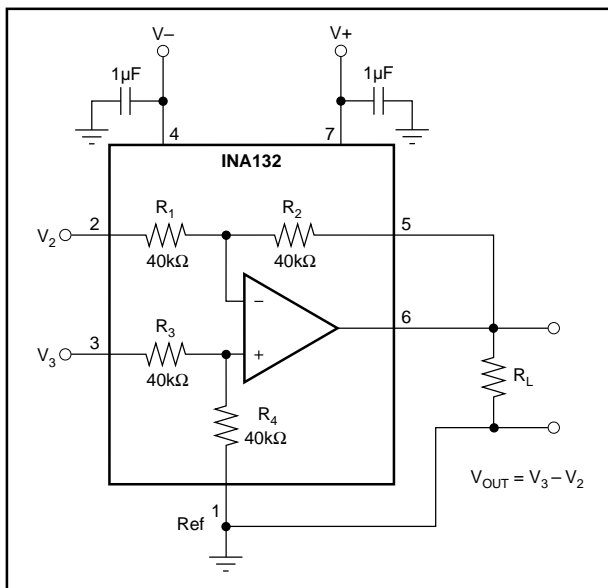


FIGURE 1. Basic Power Supply and Signal Connections.

OPERATING VOLTAGE

The INA132 operates from single (+2.7V to +36V) or dual ($\pm 1.35V$ to $\pm 18V$) supplies with excellent performance. Specifications are production tested with +5V and $\pm 15V$ supplies. Most behavior remains unchanged throughout the full operating voltage range. Parameters which vary significantly with operating voltage are shown in the typical performance curves.

The internal op amp in the INA132 is a single-supply design. This allows linear operation with the op amp's common-mode voltage equal to, or slightly below $V-$ (or single

supply ground). Although input voltages on pins 2 and 3 that are below the negative supply voltage will not damage the device, operation in this region is not recommended. Transient conditions at the inverting input terminal below the negative supply can cause a positive feedback condition that could lock the INA132's output to the negative rail.

The INA132 can accurately measure differential signals that are above the positive power supply. Linear common-mode range extends to nearly twice the positive power supply voltage—see typical performance curve, Common-Mode Range vs Output Voltage.

OFFSET VOLTAGE TRIM

The INA132 is laser trimmed for low offset voltage and drift. Most applications require no external offset adjustment. Figure 2 shows an optional circuit for trimming the output offset voltage. The output is referred to the output reference terminal (pin 1), which is normally grounded. A voltage applied to the Ref terminal will be summed with the output signal. This can be used to null offset voltage. The source impedance of a signal applied to the Ref terminal should be less than 8Ω to maintain good common-mode rejection. To assure low impedance at the Ref terminal, the trim voltage can be buffered with an op amp, such as the OPA177.

CAPACITIVE LOAD DRIVE CAPABILITY

The INA132 can drive large capacitive loads, even at low supplies. It is stable with a 10,000pF load. Refer to the "Small-Signal Step Response" and "Settling Time vs Load Capacitance" typical performance curves.

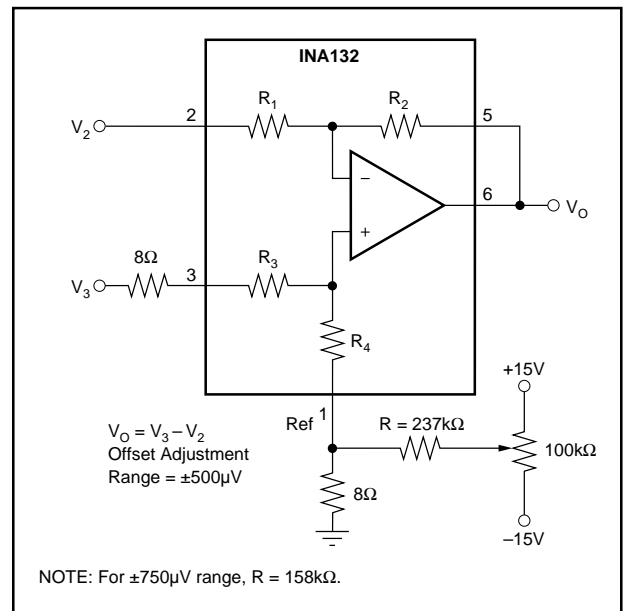


FIGURE 2. Offset Adjustment.

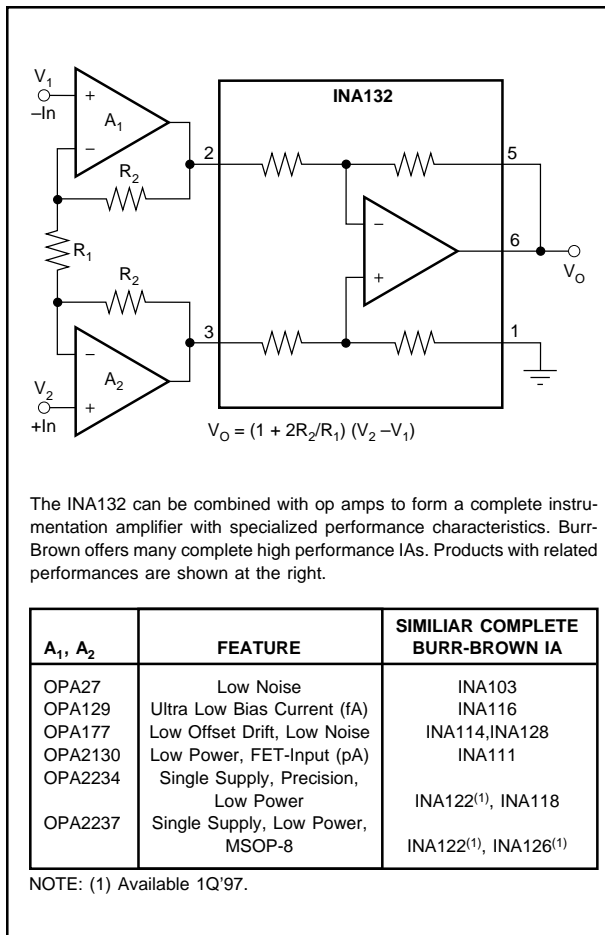


FIGURE 3. Precision Instrumentation Amplifier.

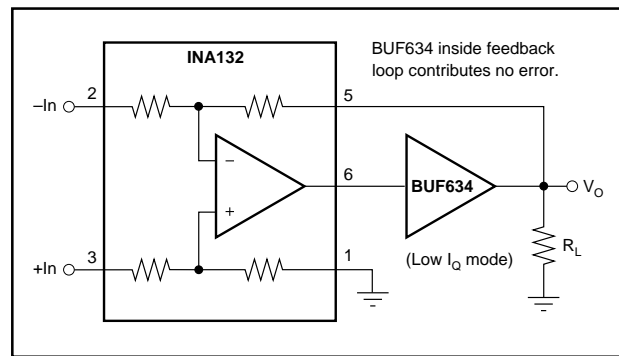


FIGURE 4. Low Power, High Output Current Precision Difference Amplifier.

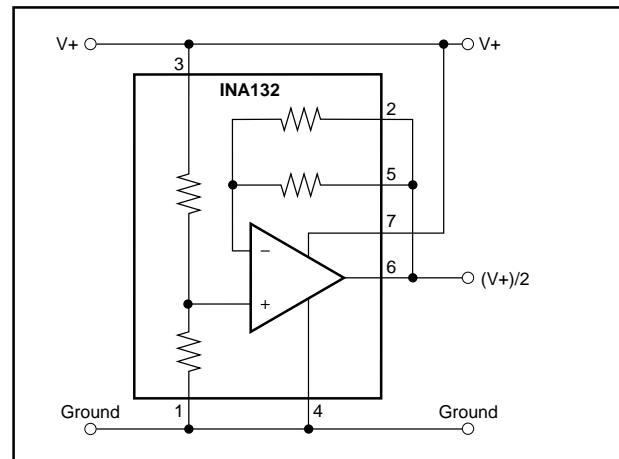


FIGURE 5. Pseudoground Generator.

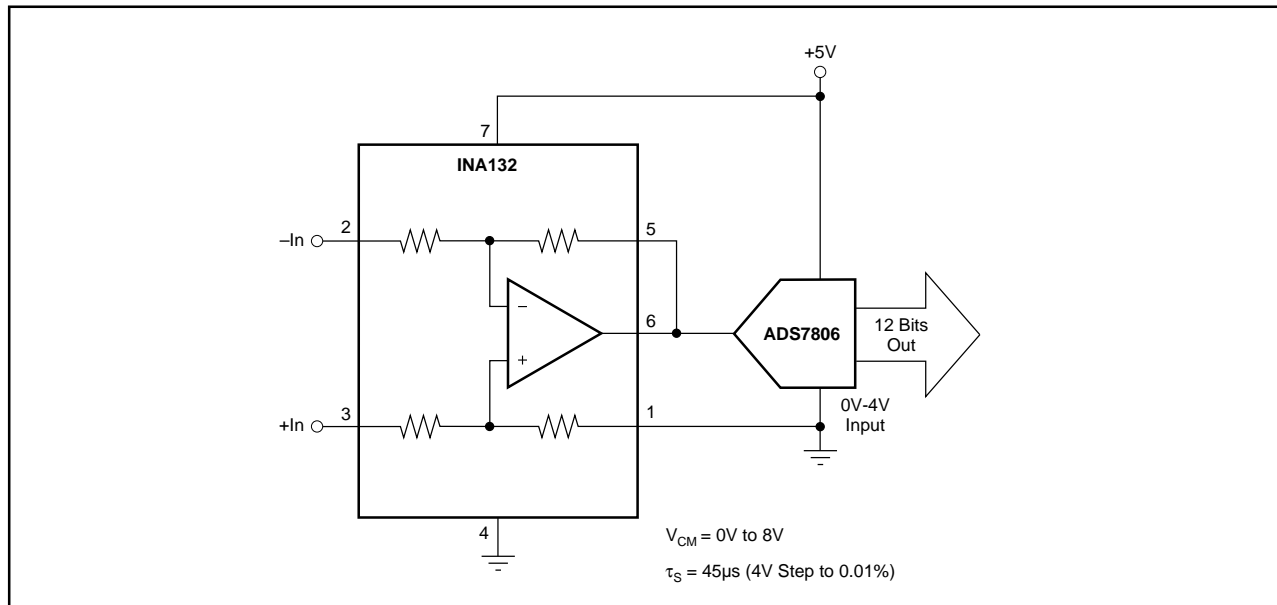


FIGURE 6. Differential Input Data Acquisition.

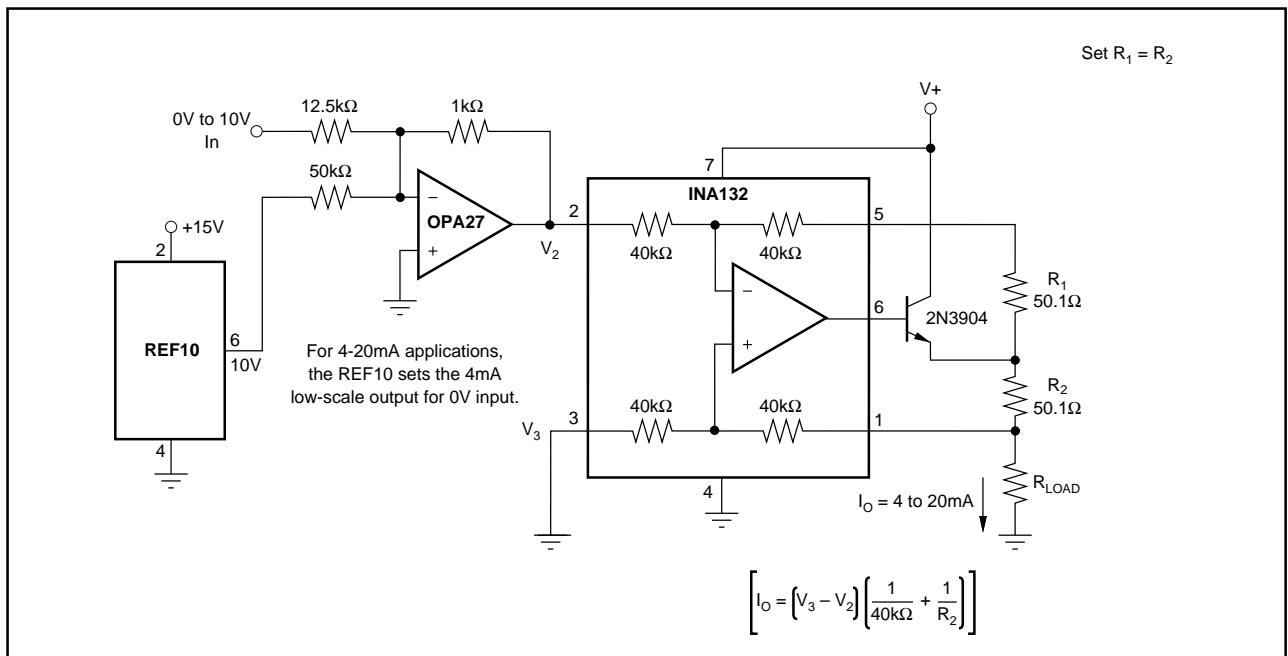


FIGURE 7. Precision Voltage-to-Current Conversion.

The difference amplifier is a highly versatile building block that is useful in a wide variety of applications. See the INA105 data sheet for additional applications ideas, including:

- Current Receiver with Compliance to Rails
- Precision Unity-Gain Inverting Amplifier
- $\pm 10V$ Precision Voltage Reference
- $\pm 5V$ Precision Voltage Reference
- Precision Unity-Gain Buffer
- Precision Average Value Amplifier
- Precision $G = 2$ Amplifier
- Precision Summing Amplifier
- Precision $G = 1/2$ Amplifier
- Precision Bipolar Offsetting
- Precision Summing Amplifier with Gain
- Instrumentation Amplifier Guard Drive Generator
- Precision Summing Instrumentation Amplifier
- Precision Absolute Value Buffer
- Precision Voltage-to-Current Converter with Differential Inputs
- Differential Input Voltage-to-Current Converter for Low I_{OUT}
- Isolating Current Source
- Differential Output Difference Amplifier
- Isolating Current Source with Buffering Amplifier for Greater Accuracy
- Window Comparator with Window Span and Window Center Inputs
- Precision Voltage-Controlled Current Source with Buffered Differential Inputs and Gain
- Digitally Controlled Gain of ± 1 Amplifier

This datasheet has been downloaded from:

www.DatasheetCatalog.com

Datasheets for electronic components.



LittleDiode supplies new, hard to find or obsolete electronic components and semiconductors all over the world.

With over two million different components listed you are sure to find the part you need.

Feel free to visit us today at our online store:

LittleDiode.com

Looking forward to providing you with the best possible service.