

Driver IC

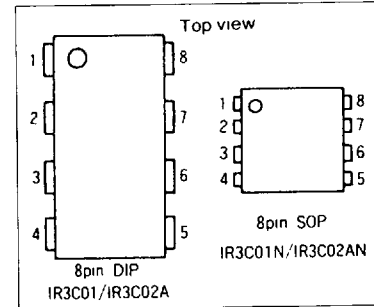
Laser Diodes Driver IC

Sharp manufactures a series of driver ICs (IR3C01/R3C01/R3C01N, IR3C02A/IR2C02AN) for use as laser diode APC circuits. Using these ICs, the power output of the laser is easily adjusted by means of an external resistance. Specifications are as follows:

IR3C01/IR3C01N, IR3C02A/IR3C02AN

Pin Assignment

Pin No.	IR3C01/IR3C01N		IR3C02A/IR3C02AN	
	symbol	Function	Symbol	Function
1	OUT	Out	OUT	Output
2	I _M	Monitor input	GND	Ground
3	V _{AJ}	Output Setting	I _M	Monitor Input
4	V _{EE}	(-) Power Supply	V _{EE}	(-)Power Supply
5	V _{IN}	Control Input (on/off)	V _{IN}	Control Input (on/off)
6	GND	Ground	S _O	Operating signal output
7	C _p	Phase Compensation	C _p	Phase Compensation
8	V _{CC}	(+) Power Supply	V _{CC}	(+) Power Supply



Absolute Maximum Ratings

(Ta=25°C)

Parameter	Symbol	Remarks	Ratings		Units
			IR3C01/IR3C01N	IR3C02A/IR3C02AN	
Supply Voltage	V _{CC}		13	10	V
Supply Voltage	V _{EE}		-20	-10	V
Output Current	I _O	Pin ①	170	-170	mA
Control Input Voltage	V _{IN}	Pin ⑤	-0.2 to 6	-0.2 to V _{CC}	V
Power Dissipation	P _C	Ta ≤ 25°C	450/330	550/500	mW
Derating ratio	—	Ta > 25°C	4.6/3.3	4.4	mW/°C
Operating Temperature	T _{opr}		-20 to +85	-30 to +85	°C
Storage Temperature	T _{stg}		-55 to +150	-55 to +150	°C
Output Current	I _{OS}	Pin ⑥ with laser on	—	5	mA
Output Applied Voltage	V _{OS}	Pin ⑥ with laser off	—	-0.2 - V _{CC}	V

Electrical Characteristics

(a) IR3C01/IR3C01N

(V_{CC}=-5V, V_{EE}=-12V, Ta=25°C)

Parameter	Symbol	Condition	Rating			Units
			MIN	TYP	MAX	
Operating Supply Voltage	V _{CC}	—	4.5	5.0	5.5	V
	V _{EE}	—	-10.0	-12.0	-13.2	
Circuit Current	I _{CC}	V _{IN} =0V	—	2.8	4.5	mA
	I _{EE OFF}	V _{IN} =0V	—	-1.3	-2.1	
	I _{EE ON}	V _{IN} =5V	—	-2.8	-4.6	
Output Voltage	V _{OUT}	I _O =150mA	3.6	4.1	—	V
		I _O =100mA	3.7	4.2	—	
		I _O =20mA	3.8	4.3	—	
Control Input Voltage (H)	V _{INH}	—	2.0	—	6	V
Control Input Voltage (L)	V _{INL}	—	0	—	0.8	V
Control Input Current	I _{IN}	V _{IN} =5V	—	0.3	0.5	mA
Monitor Input pin Voltage	V _M	—	—	-6.9	—	V
Output Adjustment Pin Voltage	V _{AJ}	(V _{AJ} -V _{EE})	3.5	3.9	4.3	V
Power Supply Ripple Reduction	ΔI _O /ΔV _{CC}	f=120Hz	—	4×10 ⁻⁵	—	A/V
	ΔI _O /ΔV _{EE}	—	—	1×10 ⁻⁶	—	

(b) IR3C02A/IR3C02AN

(V_{CC}=5V, V_{EE}=-5V, Ta=25°C)

Parameter	Symbol	Condition	Rating			Units	
			MIN	TYP	MAX		
Operating Supply Voltage	V _{CC}	—	4.5	5.0	5.5	V	
	V _{EE}	—	-4.5	-5.0	-5.5		
Circuit Current	I _{CC ON}	V _{IN} =5V	—	2.8	5.0	mA	
	I _{EE ON}		—	-2.0	-5.0		
	I _{CC OFF}	V _{IN} =0V	—	4.1	7.5		
	I _{EE OFF}		—	-2.1	-3.8		
Output Voltage	V _{OUT}	I _O =-150mA	3.7	4.1	—	V	
		I _O =-100mA	3.8	4.2	—		
		I _O =-20mA	3.9	4.3	—		
Output Voltage	V _{OS1}	I _{OS} =0mA, V _{IN} =0V	—	0.05	—	V	
	V _{OS2}	I _{OS} =2mA	—	—	0.4		
Control	H	V _{IN H}	V _O V _{OS L} →H	1.43	1.53	1.63	V
Input	L	V _{IN L}	V _O V _{OS H} →L	1.23	1.33	1.43	V
Voltage	Hysteresis	V _{IN HY}	(V _{INH} -V _{INL})	—	200	—	mW
Control Input Current	I _{IN}	—	—	-0.3	—	μA	
Monitor Input Pin Voltage	V	—	1.16	1.22	1.28	V	
Monitor Input Pin Current	I	—	—	-0.3	-5	μA	
Photo output power supply change	ΔP/ΔV _{CC}	V _{EE} =-5V, V _{CC} =5V±10%	—	0.02	—	% / V	
	ΔP/ΔV _{EE}	V _{CC} =-5V, V _{EE} =-5V±10%	—	0.2	—		
Photo output changing width	ΔP/I _{PO}	Ta=-30 to +85°C	—	0.2	—	%	

Common Data

Fig. 94-1 Optical Power Output Dependence of Far-Field Pattern

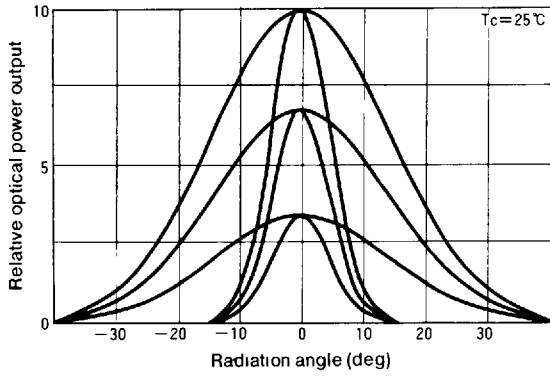


Fig. 94-4 Coupling Efficiency

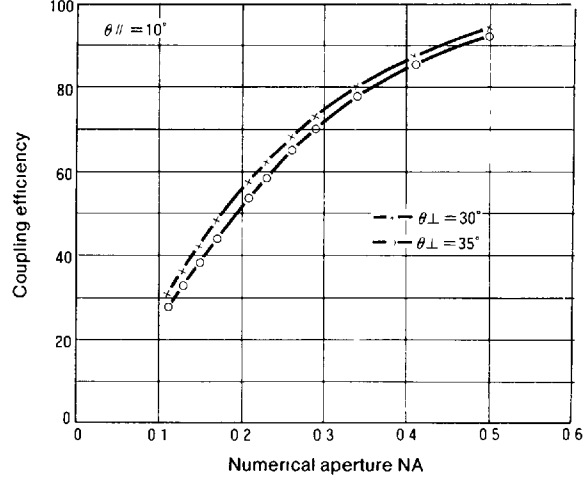


Fig. 94-2 Polarization Ratio vs. Optical Power Output (LT026 series, LT023 series)

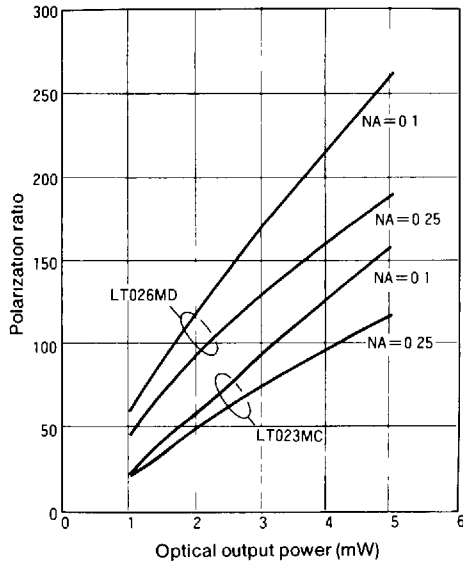


Fig. 94-5 Frequency Response

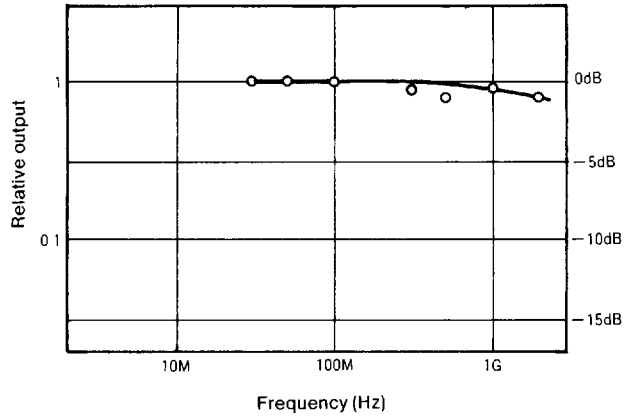
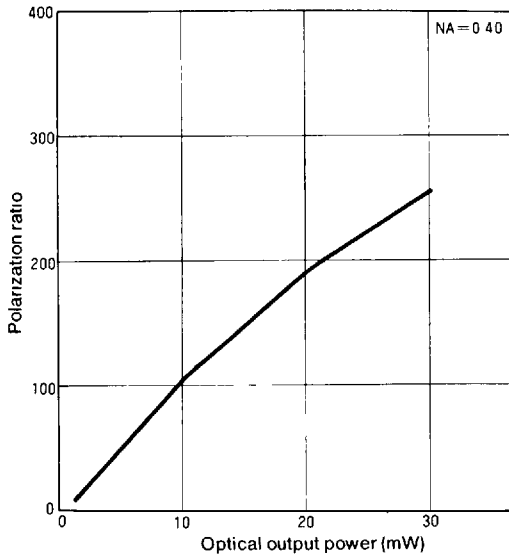


Fig. 94-3 Polarization Ratio vs. Optical Power Output (LT024 series, LT015 series)



Note All data on this page is typical only, and is not intended as a specification. The shapes of these curves can be used as a general reference, but the actual characteristics will vary from device to device.

Built-in PIN Photodiode Characteristics

Fig. 95-1 Photodiode Frequency Response Characteristic

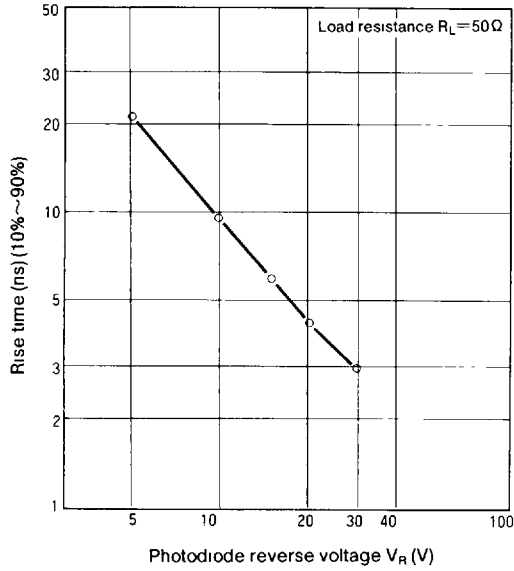
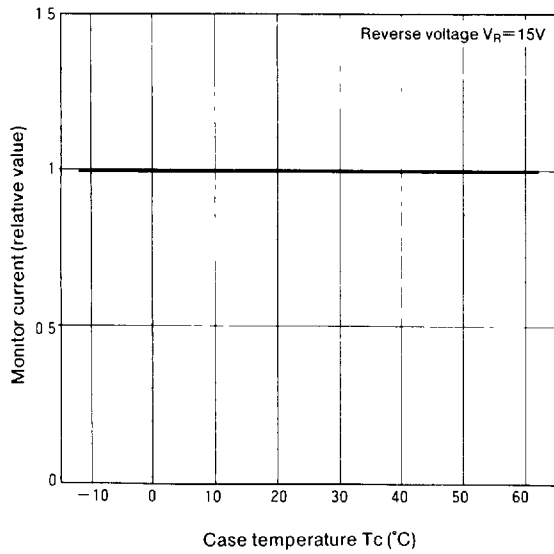


Fig. 95-2 Photodiode Temperature Characteristic



Note: All data on this page is typical only, and is not intended as a specification. The shapes of these curves can be used as a general reference, but the actual characteristics will vary from device to device.

Outline Dimensions

Unit: mm

Fig. 98-1 Standard Type (C Type)

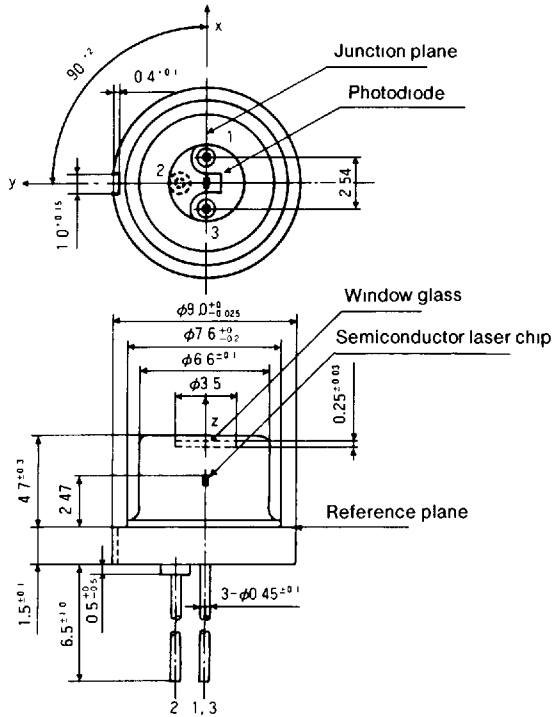


Fig. 98-2 Low-Cap Type (D Type)

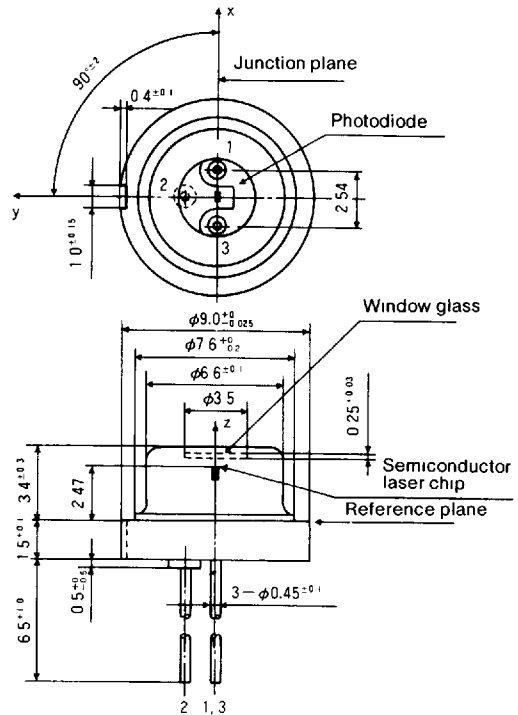


Fig. 98-3 Fin-Equipped Type (F Type)

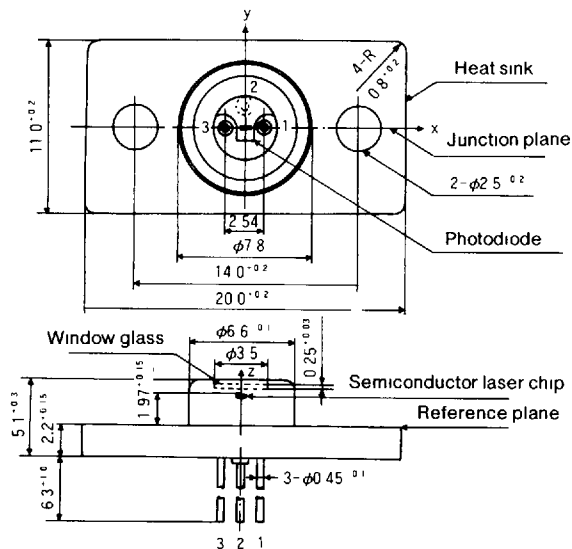
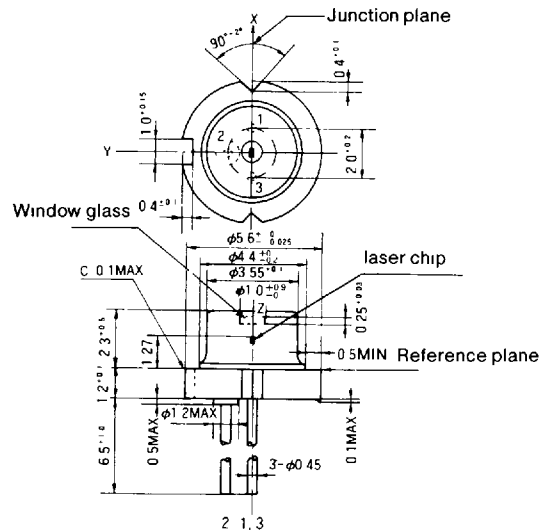
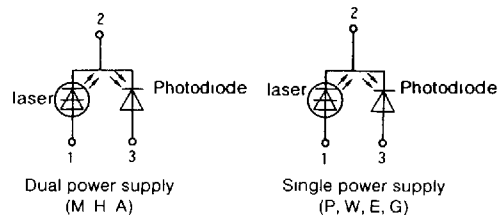


Fig. 98-4 Compact Package Type (S Type)



Terminal connections



This datasheet has been downloaded from:

www.DatasheetCatalog.com

Datasheets for electronic components.



LittleDiode supplies new, hard to find or obsolete electronic components and semiconductors all over the world.

With over two million different components listed you are sure to find the part you need.

Feel free to visit us today at our online store:

LittleDiode.com

Looking forward to providing you with the best possible service.