

**8-PIN PWM SWITCHER CONTROLLER IC
 WITH CURRENT LIMITING**

FEATURES

- 8-Pin SOIC switching controller with HICCUP current limiting reduces diode power dissipation to less than 1% of normal operation
- Soft-Start capacitor allows for smooth output voltage ramp up
- On-Board MOSFET Driver
- Fastest transient response of any controller method. (0 to 100% Duty Cycle in 100ns)
- 1% Internal Voltage Reference
- Internal Under-Voltage Lockout protects MOSFET during start-up

APPLICATIONS

- Dual supply low voltage processor applications, such as: P55C™, CYRIX M2™, POWER PC™ and AMD K6™
- Simple 5V to 3.3V switcher for Pentium with AGP or Pentium II™ applications

DESCRIPTION

The IRU3034 IC provides a low cost switching controller with true short circuit protection all in a compact 8-pin surface mount package, providing a low cost switching solution for dual supply processor applications that require switching regulator for the 3.3V supply such as the applications with AGP on-board. Typically in these applications, a dual supply regulator converts 5V to 3.3V for I/O supply and a jumper programmable supply of 1.25V to 3.5V for Core supply. The IC uses an internal regulator generated from the 12V supply to power the controller as well as the 12V supply to drive the power MOSFET, allowing a low cost N-channel MOSFET to be used. The IC also includes an error comparator for fast transient response, a precise voltage reference for setting the output voltage as well as a direct drive of the MOSFET for the minimum part count.

TYPICAL APPLICATION

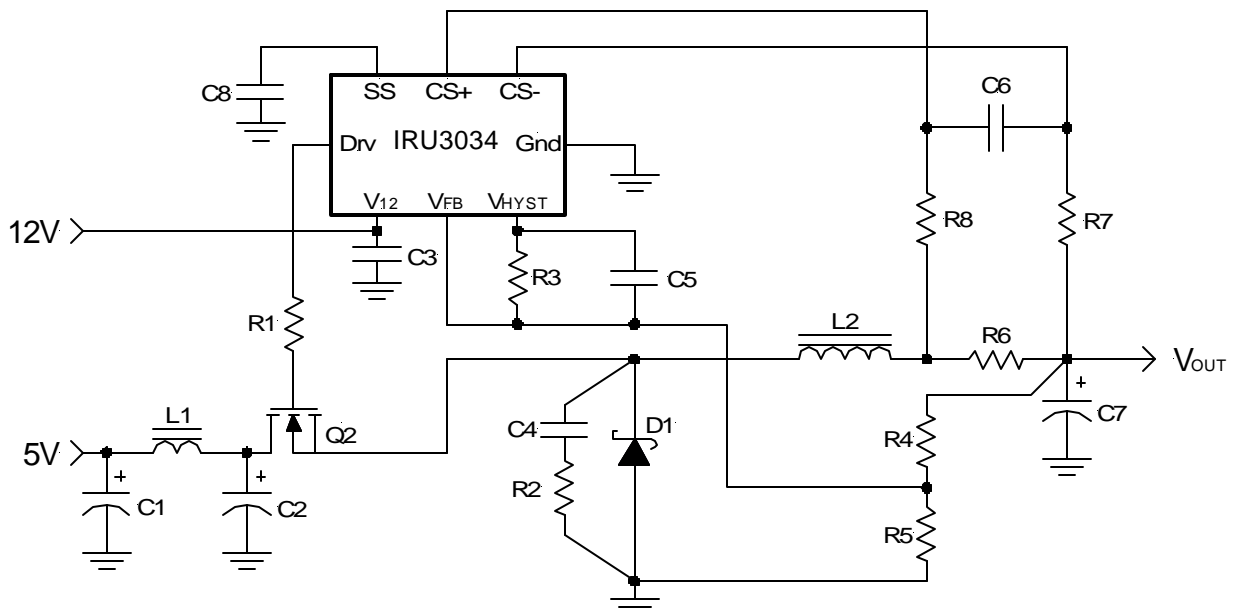


Figure 1 - Typical application of IRU3034.

Notes: P55C, Pentium II are trademarks of Intel Corp. K5 & K6 are trademarks of AMD corp. Cyrix 6X86L, M1, M2 are trademarks of Cyrix Corp. Power PC is trademark of IBM Corp.

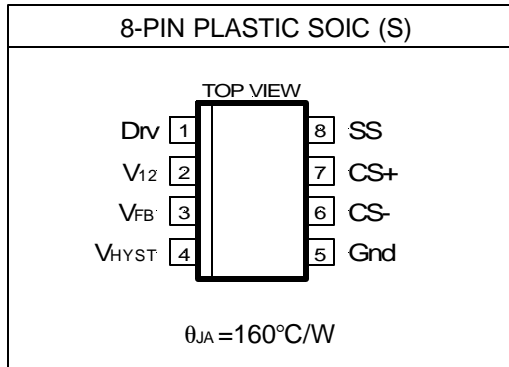
PACKAGE ORDER INFORMATION

| T _A (°C) | 8-PIN PLASTIC SOIC (S) |
|---------------------|------------------------|
| 0 To 70 | IRU3034CS |

ABSOLUTE MAXIMUM RATINGS

V₁₂ Supply Voltages 20V
 Fb Pin Voltages -0.3V To 5V
 Storage Temperature Range -65 To 150°C
 Operating Junction Temperature 0 To 150°C

PACKAGE INFORMATION



ELECTRICAL SPECIFICATIONS

Unless otherwise specified, the following specification applies over V₁₂=12V and T_A=0 to 70°C. Low duty cycle pulse testing is used which keeps junction and case temperatures equal to the ambient temperature.

| PARAMETER | SYM | TEST CONDITION | MIN | TYP | MAX | UNITS |
|---------------------------------|--------------------|--|-------|-------|-------|-------|
| Fb Voltage Initial Accuracy | V _{FB} | T _J =25°C | 1.237 | 1.250 | 1.262 | V |
| Fb Voltage Total Variation | | | 1.225 | 1.250 | 1.275 | V |
| Fb Voltage Line Regulation | | | | 0.2 | | % |
| Fb Input Bias Current | I _{FB} | V _{FB} =1.25V | -1 | | +1 | μA |
| Minimum On Time | | V _{FB} is sq wave with 300ns on time and 2μs off time | | 800 | | ns |
| Minimum Off Time | | V _{FB} is sq wave with 300ns off time and 2μs on time | | 800 | | ns |
| V _{HYST} Pin Output-HI | | I _{SOURCE} =500μA, V _{FB} =1.5V | 11 | | | V |
| V _{HYST} Pin Output-LO | | I _{SINK} =500μA, V _{FB} =1V | | | 1 | V |
| Supply Current | I _{2(SW)} | V _{FB} =1V | | 10 | | mA |
| Maximum Duty Cycle | D _{MAX} | V _{FB} =1V | | | 100 | % |
| Minimum Duty Cycle | D _{MIN} | V _{FB} =1.5V | 0 | | | % |
| Gate Drive Rise/Fall Time | V _{GATE} | Load=IRL3303 | | 70 | | ns |
| CL Threshold Current | I _{CL} | CS+, CS- from 1.3V to 3.7V | | 20 | | μA |
| CS Comp Common Mode | | V _{CS+} =V _{CS-} | 0 | | 4.5 | V |
| Soft-Start Current | | | | 10 | | μA |

PIN DESCRIPTIONS

| PIN # | PIN SYMBOL | PIN DESCRIPTION |
|-------|-------------------|---|
| 1 | Drv | The PWM output of the switching controller. This pin is a totem pole drive that is connected to the gate of the power MOSFET. A resistor may be placed from this pin to the gate in order to reduce switching noise. |
| 2 | V ₁₂ | This pin supplies the voltage to the PWM drive and hysteresis circuitry and it is connected to the 12V supply. A 1 μ F, high frequency capacitor must be connected from this pin to ground to provide the peak current for charging and discharging of the MOSFET. |
| 3 | V _{FB} | A resistor divider from this pin to the output of the switching regulator and ground sets the Core supply voltage. |
| 4 | V _{HYST} | A resistor and a 10pF capacitor is connected from this pin to the V _{FB} pin to set the output ripple voltage for the switching regulator. |
| 5 | Gnd | This pin is connected to the IC substrate and must be connected to the lowest potential in the system. |
| 6 | CS- | This pin is connected to the minus side of the external current sense resistor. An internal current source together with an external resistor in series with this pin programs the current limit threshold voltage. This voltage divided by the external current sense resistor sets the current limit threshold. |
| 7 | CS+ | This pin is connected to the plus side of the external current sense resistor. A resistor in series with this pin and a capacitor connected between this pin and pin 6 provides a high frequency filtering for the noise spikes of turn on and turn off switching. |
| 8 | SS | This pin provides the soft-start for the regulator during power up. It also sets a long off time when the converter goes into current limiting, providing low duty cycle for the catch diode allowing it to survive during short circuit. |

BLOCK DIAGRAM

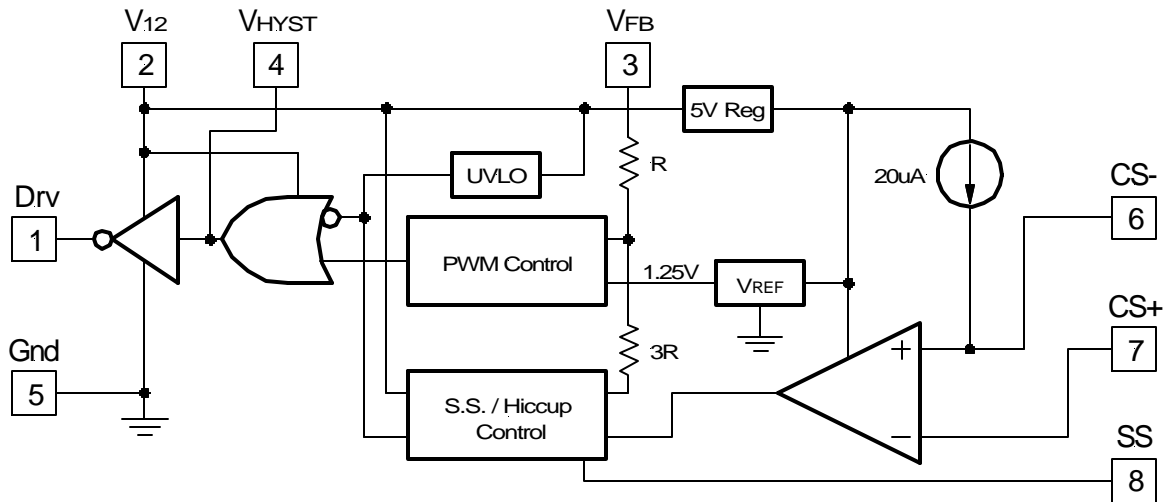
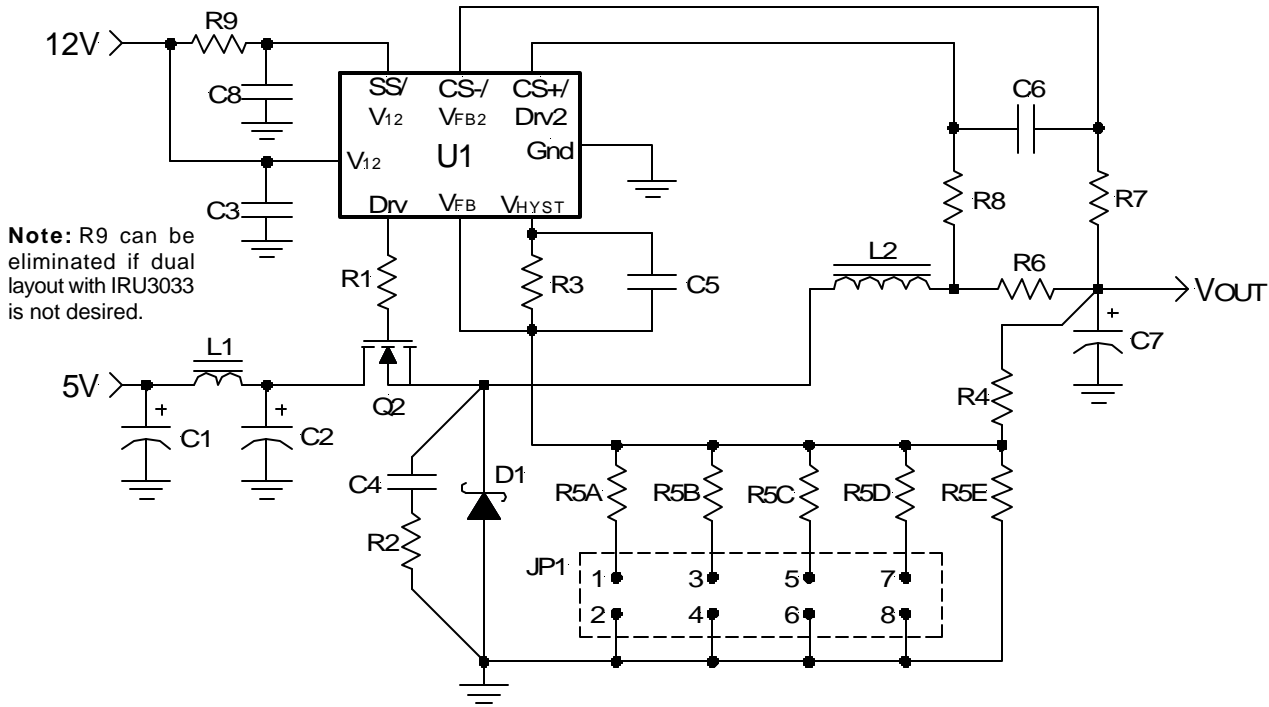


Figure 2 - Simplified block diagram of the IRU3034.

TYPICAL APPLICATION

Pentium Core Supply Application (IRU3034 and IRU3033 Dual Layout)
Low Cost 4-Bit VID



Note: R9 can be eliminated if dual layout with IRU3033 is not desired.

Figure 3 - Typical application of IRU3034 in a flexible motherboard with the 4-bit VID output voltage selection. This circuit is done using a dual layout with the IRU3033 part. The advantage of this circuit is that it uses a single jumper that programs the output voltage in 16 steps with 0.1V steps from 2V to 3.5V, designed for Intel P55, P54, AMD K5 & K6 as well as Cyrix M1 and M2 applications.

| JP1 1-2 | JP1 3-4 | JP1 5-6 | JP1 7-8 | Output Voltage |
|------------|------------|------------|------------|-------------------|
| 0 | 0 | 0 | 0 | 3.5 |
| 0 | 0 | 0 | 1 | 3.4 |
| 0 | 0 | 1 | 0 | 3.3 |
| 0 | 0 | 1 | 1 | 3.2 |
| 0 | 1 | 0 | 0 | 3.1 |
| 0 | 1 | 0 | 1 | 3.0 |
| 0 | 1 | 1 | 0 | 2.9 |
| 0 | 1 | 1 | 1 | 2.8 |
| 1 | 0 | 0 | 0 | 2.7 |
| 1 | 0 | 0 | 1 | 2.6 |
| 1 | 0 | 1 | 0 | 2.5 |
| 1 | 0 | 1 | 1 | 2.4 |
| 1 | 1 | 0 | 0 | 2.3 |
| 1 | 1 | 0 | 1 | 2.2 |
| 1 | 1 | 1 | 0 | 2.1 |
| 1 | 1 | 1 | 1 | 2.0 |

0 = Jumper block is installed.
1 = Jumper block is not installed.

PENTIUM CORE SUPPLY APPLICATION PARTS LIST

(IRU3034 and IRU3033 Dual Layout) Low Cost 4-Bit VID

| Ref Desig | Description | Qty | Part # | Manuf |
|-----------|-----------------|-----|---|-----------------------|
| U1 | LDO/Switcher IC | 1 | IRU3034CS (8-Pin SOIC) | IR |
| Q2 | MOSFET | 1 | IRL3303 (TO-220) IRL3103S (TO-263) (Note 1) | IR |
| D1 | Schottky Diode | 1 | MBR1045CT (TO-220) MBRB1545CT (TO-263) (Note1) | Motorola |
| L2 | Inductor | 1 | Core: T50-18, L=4 μ H Turns: 10T, 18 AWG | Micro Metal (core) |
| L1 | Inductor | 1 | L=2 μ H | |
| R1 | Resistor | 1 | 22 Ω , 5%, SMT 1206 size | |
| R2 | Resistor | 1 | 10 Ω , 5%, SMT 1206 size | |
| R3 | Resistor | 1 | 324K Ω , 1%, SMT 0805 size | |
| R4A * | Resistor | 1 | 806 Ω , 1%, SMT 0805 size | |
| R4B * | Resistor | 1 | 90.9K Ω , 1%, SMT 0805 size | |
| R5A | Resistor | 1 | 1.24K Ω , 1%, SMT 0805 size | |
| R5B | Resistor | 1 | 2.49K Ω , 1%, SMT 0805 size | |
| R5C | Resistor | 1 | 4.99K Ω , 1%, SMT 0805 size | |
| R5D | Resistor | 1 | 10K Ω , 1%, SMT 0805 size | |
| R5E | Resistor | 1 | 1.30 Ω , 1%, SMT 0805 size | |
| R6 | Resistor | 1 | 5m Ω , 5%, 2W | |
| R7 | Resistor | 1 | 4.99K Ω , 1%, SMT 0805 size | |
| R8 | Resistor | 1 | 4.7K Ω , 5% for IRU3034, open for 3033 | |
| R9 | Resistor | 1 | Open for IRU3034, 10 Ω for IRU3033 | |
| C1 | Capacitor | 1 | 6MV1500GX, 1500 μ F, 6.3V, Elect | |
| C2 | Capacitor | 1 | 6MV1500GX, 1500 μ F, 6.3V, Elect | Sanyo |
| C3 | Capacitor | 1 | 1 μ F, Ceramic, SMT 0805 size | |
| C4 | Capacitor | 1 | 470pF, Ceramic, SMT 0805 size | Sanyo |
| C5 | Capacitor | 1 | 10pF, Ceramic, SMT 0805 size | Sanyo |
| C7 | Capacitor | 4 | 6MV1500GX, 1500 μ F, 6.3V, Elect | Sanyo |
| C8 | Capacitor | 1 | 0.047 μ F for 3034, 0.1 μ F for IRU3033 | |
| C6 | Capacitor | 1 | 4700pF for IRU3034, open for IRU3033 | |
| HS1 | Heat Sink | 1 | For MOSFET, 577002 | Aavid |
| HS2 | Heat Sink | 1 | For Schottky Diode, 577002 | Aavid |

*R4 is a parallel combination of R4A and R4B.

Note: For the applications where it is desirable to eliminate the heat sink, the IRL3103S for Q2 and MBR1545CT for D2 in TO-263 packages with minimum of 1" square copper pad can be used.

TYPICAL APPLICATION

5V to 3.3V for Pentium Application with AGP or Pentium II Application without ATX power supply
Switching mode Operation. (IRU3034 and IRU3033 Dual Layout)

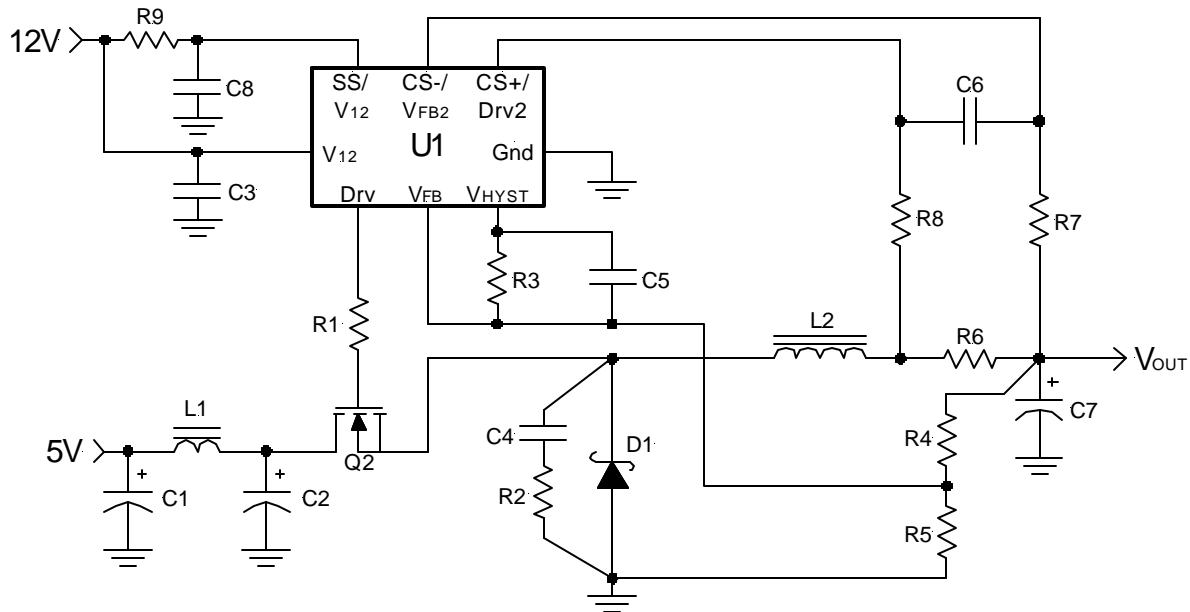


Figure 4 - The circuit in figure 4 is the application of the IRU3034 which is done using a dual layout with IRU3033 in a switching mode only. This circuit can be used to generate a low cost 5V to 3.3V for either Pentium application with AGP socket or in Pentium II applications where it is desirable to generate an accurate on-board 3.3V supply.

| Ref Desig | Description | Qty | Part # | Manuf |
|-----------|-----------------|-----|---|-----------------------|
| U1 | LDO/Switcher IC | 1 | IRU3034CS (8-Pin SOIC) | IR |
| Q2 | MOSFET | 1 | IRL3303 (TO-220) IRL3103S (TO-263) (Note 1) | IR |
| D1 | Schottky Diode | 1 | MBR1045CT (TO-220) MBRB1545CT (TO-263) (Note1) | Motorola |
| L2 | Inductor | 1 | Core: T50-18, L=4 μ H Turns: 10T, 18 AWG | Micro Metal (core) |
| L1 | Inductor | 1 | L=2 μ H | |
| R1 | Resistor | 1 | 22 Ω , 5%, SMT 1206 size | |
| R9 | Resistor | 1 | Open for IRU3034, 10 Ω for IRU3033 | |
| R2 | Resistor | 1 | 10 Ω , 5%, SMT 1206 size | |
| R3 | Resistor | 1 | 249K Ω , 1%, SMT 0805 size | |
| R4 | Resistor | 1 | 1K Ω , 1%, SMT 0805 size | |
| R5 | Resistor | 1 | 576 Ω , 1%, SMT 0805 size | |
| R6 | Resistor | 1 | 5m Ω , 5%, 2W | |
| R7 | Resistor | 1 | 4.99K Ω , 1%, SMT 0805 size | |
| R8 | Resistor | 1 | 4.7K Ω , 5% for IRU3034, Open for IRU3033 | |
| C1, 2 | Capacitor | 2 | 6MV1500GX, 1500 μ F, 6.3V, Elect | Sanyo |
| C3 | Capacitor | 1 | 1 μ F, Ceramic, SMT 0805 size | |
| C4 | Capacitor | 1 | 470pF, Ceramic, SMT 0805 size | Sanyo |
| C5 | Capacitor | 1 | 10pF, Ceramic, SMT 0805 size | Sanyo |
| C6 | Capacitor | 1 | 4700pF for IRU3034, Open for IRU3033 | |
| C7 | Capacitor | 2 | 6MV1500GX, 1500 μ F, 6.3V, Elect | Sanyo |
| C8 | Capacitor | 1 | 0.047 μ F for IRU3034, 0.1 μ F for 3033 | |
| HS1 | Heat Sink | 1 | For MOSFET, 577002 | Aavid |
| HS2 | Heat Sink | 1 | For Schottky Diode, 577002 | Aavid |

Note: For the applications where it is desirable to eliminate the heat sink, the IRL3103S for Q2 and MBR1545CT for D2 in TO-263 packages with minimum of 1" square copper pad can be used.

APPLICATION INFORMATION

Introduction

The IRU3034 device is an application specific product designed to provide an on-board switching supply for the new generation of microprocessors requiring separate Core and I/O supplies where the load current demand from the I/O supply requires this regulator to also be a switching regulator such as the motherboard applications with AGP slot or the Pentium II with on-board 5V to 3.3V converter. The IRU3034 provides an easy and low cost switching regulator solution for Vcore and 3.3V supplies with true short circuit protection.

Switching Controller Operation

The operation of the switching controller is as follows:

After the power is applied, the output drive pin (Drv) goes to 100% duty cycle and the current in the inductor charges the output capacitor causing the output voltage to increase. When output reaches a pre-programmed set point the feedback pin (V_{FB}) exceeds 1.25V causing the output drive to switch Low and the V_{HYST} pin to switch High which jumps the feedback pin higher than 1.25V resulting in a fixed output ripple which is given by the following equation:

$$\Delta V_o = (R_t/R_h) \times 11$$

Where:

R_t = Resistor connected from V_{OUT} to the V_{FB} pin of IRU3034.

R_h = Resistor connected from V_{FB} pin to V_{HYST} pin.

For example, if $R_t=1K$ and $R_h=422K$, then the output ripple is:

$$\Delta V_o = (1/422) \times 11 = 26mV$$

The advantage of fixed output ripple is that when the output voltage changes from 2V to 3.5V, the ripple voltage remains the same which is important in meeting the Intel maximum tolerance specification.

Soft-Start

The soft-start capacitor must be selected such that during the start-up when the output capacitors are charging up, the peak inductor current does not reach the current limit threshold. A minimum of 0.1 μ F capacitor insures this for most applications. During start-up the soft-start capacitor is charged up to approximately 6V keeping the output shutdown before an internal 10 μ A current source start discharging the soft-start capacitor which

slowly ramps up the inverting input of the PWM comparator, V_{FB} . This insures the output to ramp up at the same rate as the soft-start cap thereby limiting the input current. For example, with 0.1 μ F and the 10 μ A internal current source the ramp up rate is:

$$(\Delta V/\Delta t) = I/C_{ss} = 10/0.1 = 100V/s \text{ or } 0.1V/ms$$

Assuming that the output capacitance is 6000 μ F, the peak input current will be:

$$I_{IN(pk)} = C_{ss} \times (\Delta V/\Delta t) = 6000\mu F \times (0.1V/ms) = 0.6A$$

The soft start capacitor also provides a delay in the turn on of the output which is given by:

$$T_D = C_{ss} \times K$$

Where:

$$K = 30ms/\mu F$$

For example for $C_{ss}=0.1\mu F$,

$$T_D = 0.1 \times 30 = 3ms$$

Switcher Current Limit Protection

The IRU3034 uses an external current sensing resistor and compares the voltage drop across it to a programmed voltage which is set externally via a resistor (R_{CL}) placed between the CS- terminal of the IC and V_{OUT} . Once the voltage across the sense resistor exceeds the threshold, the soft-start capacitor pulls up to 12V, pulling up the inverting pin of the error comparator higher than non-inverting which causes the external MOSFET to shut off. At this point the CS comparator changes its state and pulls the soft-start capacitor to V_{CC} which is 12V and shutting the PWM drive. After the output drive is turned off, an internal 10 μ A current source slowly discharges the soft-start capacitor to approximately 5.7V, before the output starts to turn back on causing a long delay before the MOSFET turns back on. This delay causes the catch diode to cool off between the current limit cycles allowing the converter to survive a short circuit condition. An example is given below as how to select the current limiting components. Assuming the desired current limit point is set to be 20A and the current sense resistor $R_s=5m\Omega$, then the current limit programming resistor, R_{CL} is calculated as:

$$V_{CS} = I_{CL} \times R_s = 20 \times 0.005 = 0.1V$$

$$R_{CL} = V_{CS}/I_B = (0.1V)/(20\mu A) = 5K\Omega$$

Where:

$I_B = 20\mu A$ is the internal current source of IRU3034

The peak power dissipated in the CS resistor is:

$$P_{pk} = I_{CL}^2 \times R_s = 20^2 \times 0.005 = 2W$$

However, the average power dissipated is much lower than 2W due to the long off time caused by the hiccup circuit of IRU3034. The average power is in fact the short circuit period divided by the short circuit period plus the off time or "Hiccup" period. For example, if the short circuit lasts for $T_{sc}=100\mu s$ before the IRU3034 enters hiccup, the average power is calculated as:

$$P_{AVG} = 0.5 \times P_{pk} \times D_{sc}$$

Where:

$$D_{sc} = T_{sc} / T_{HCP}$$

$$T_{HCP} = C_{SS} \times M$$

$$M = 200ms/\mu F$$

C_{SS} = The soft-start capacitor

For example:

$$\text{For } C_{SS}=0.1\mu F \text{ and } T_{sc}=500\mu s=0.5ms$$

$$T_{HCP} = 0.1 \times 200 = 20ms$$

$$P_{AVG} = 0.5 \times 2 \times (0.5/20) = 25mW$$

Without "Hiccup" technique, the power dissipation of the resistor is 2W.

Switcher Output Voltage Setting

The output voltage can be set using the following equations:

Assuming, $V_o=3.38V$ and the selected output ripple is $\approx 1.3\%(44mV)$ of the output voltage, a set of equations are derived that selects the resistor divider and the hysteresis resistor:

Assuming, $R_t = 1K\Omega$, 1%:

$$R_H = (11 \times R_t) / \Delta V_o$$

Where:

R_t = Top resistor of the resistor divider

R_H = Hysteresis resistor connected between pins 3 and 4 of the IRU3034

ΔV_o = Selected output ripple (typically 1% to 2% of output voltage)

Assuming, $\Delta V_o=44mV$:

$$R_H = (11 \times 1000) / 0.044 = 250K\Omega$$

Select $R_H = 249K\Omega$, 1%

The bottom resistor of the divider is then calculated using the following equations:

$$R_B = R_t / X$$

Where:

R_B = Bottom resistor of the divider

$V_{REF} = 1.25V$ Typical

$$X = [(V_o + (\Delta V_o/2)) / V_{REF}] - 1$$

$$X = [(3.38 + (0.044/2)) / 1.25] - 1 = 1.72$$

$$R_B = 1000 / 1.72 = 580\Omega$$

Select $R_B = 576\Omega$, 1%

Frequency Calculation

The IRU3034 frequency of operation is calculated using the following formula:

$$F_s = [(V_o \times (1-D) \times ESR)] / (L \times \Delta V_o) \quad (\text{MHz})$$

Where:

V_o = Output voltage (V)

D = Duty cycle

ESR = Output capacitor ESR (V)

L = Output inductance (μH)

ΔV_o = Output ripple voltage (V)

For our example:

$$D \approx (V_o + V_f) / V_{IN}$$

Where:

V_f = Forward voltage drop of the Schottky diode.

$$D = (3.38 + 0.5) / 5 = 0.78$$

The $ESR=18m\Omega$ for 2 of the Sanyo $1500\mu F$, 6MV1500GX caps. If $L=3.5\mu H$ then, F_s is calculated as follows:

$$F_s = \frac{[(3.38 \times (1-0.78) \times 0.018)]}{(3.5 \times 0.044)} = 0.087$$

$$F_s = 87KHz$$

TYPICAL PERFORMANCE CHARACTERISTICS

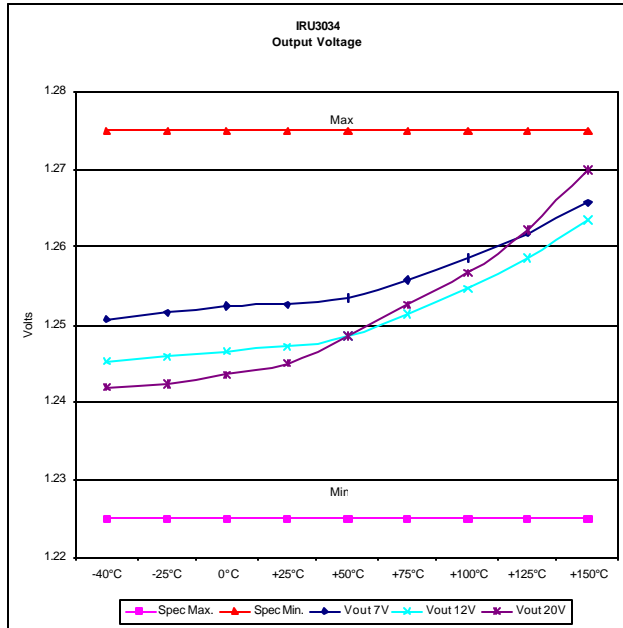


Figure 6 - Output Voltage.

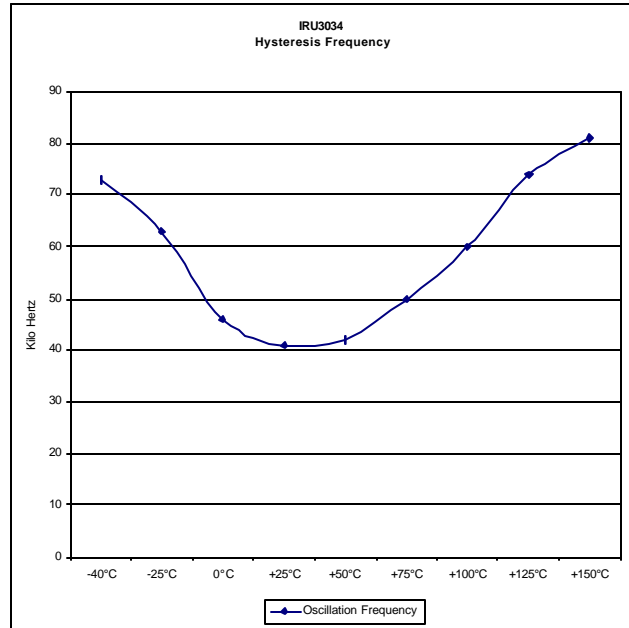


Figure 7 - Hysteresis Frequency.

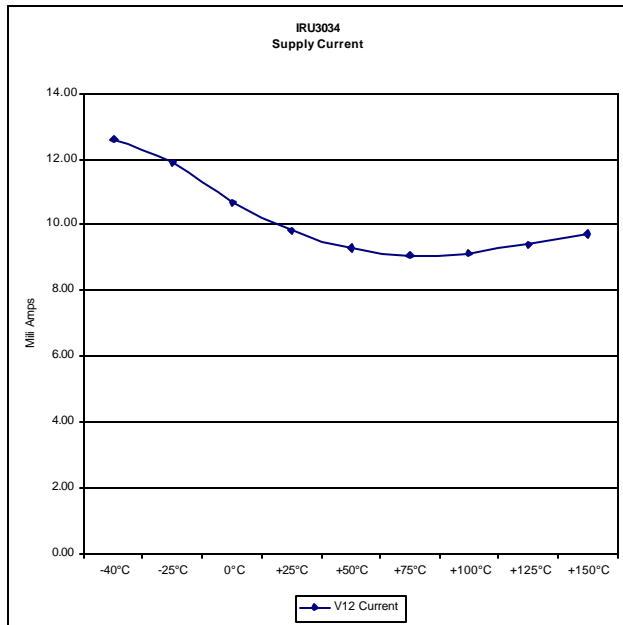


Figure 8 - Supply Current.

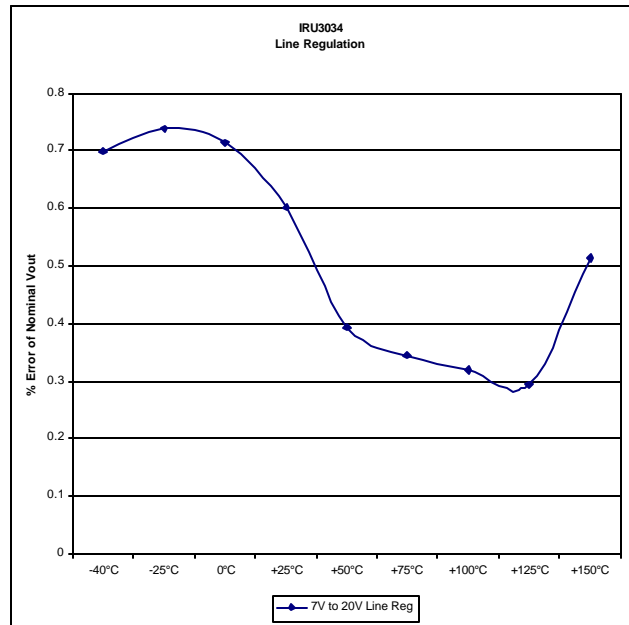
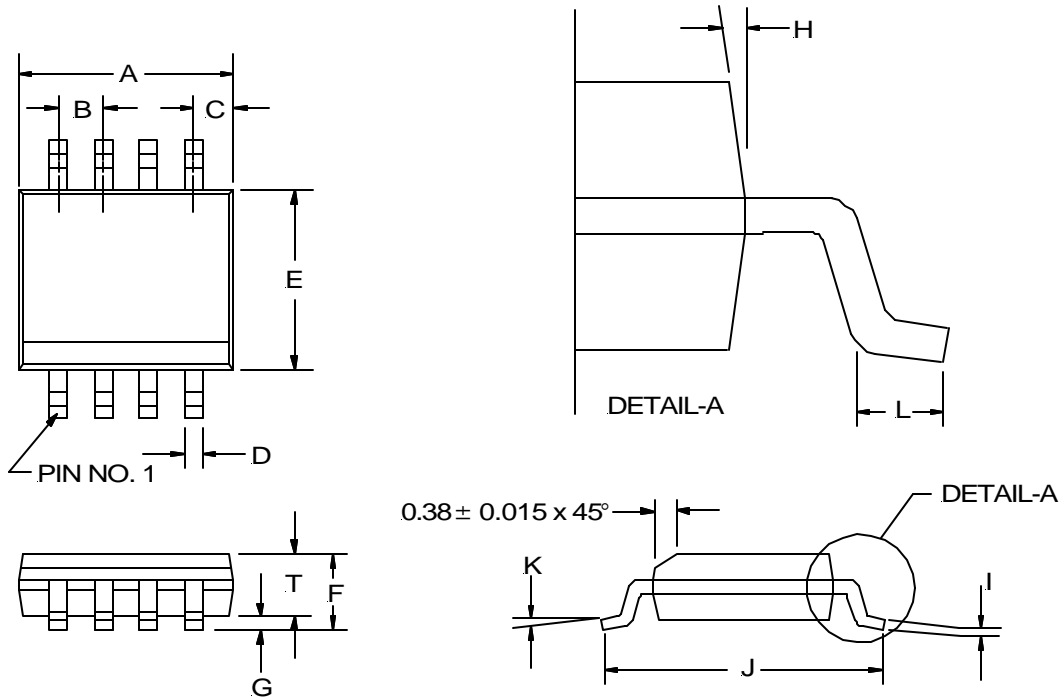


Figure 9 - Line Regulation.

IR WORLD HEADQUARTERS : 233 Kansas St., El Segundo, California 90245, USA Tel: (310) 252-7105
TAC Fax: (310) 252-7903

Visit us at www.irf.com for sales contact information.
Data and specifications subject to change without notice. 02/01

(S) SOIC Package
8-Pin Surface Mount, Narrow Body

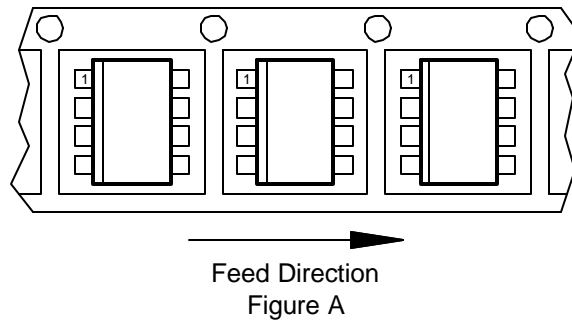


| 8-PIN | | |
|--------|----------|------|
| SYMBOL | MIN | MAX |
| A | 4.80 | 4.98 |
| B | 1.27 BSC | |
| C | 0.53 REF | |
| D | 0.36 | 0.46 |
| E | 3.81 | 3.99 |
| F | 1.52 | 1.72 |
| G | 0.10 | 0.25 |
| H | 7° BSC | |
| I | 0.19 | 0.25 |
| J | 5.80 | 6.20 |
| K | 0° | 8° |
| L | 0.41 | 1.27 |
| T | 1.37 | 1.57 |

NOTE: ALL MEASUREMENTS ARE IN MILLIMETERS.

PACKAGE SHIPMENT METHOD

| PKG DESIG | PACKAGE DESCRIPTION | PIN COUNT | PARTS PER TUBE | PARTS PER REEL | T & R Orientation |
|-----------|---------------------|-----------|----------------|----------------|-------------------|
| S | SOIC, Narrow Body | 8 | 95 | 2500 | Fig A |





LittleDiode supplies new, hard to find or obsolete electronic components and semiconductors all over the world.

With over two million different components listed you are sure to find the part you need.

Feel free to visit us today at our online store:

LittleDiode.com

Looking forward to providing you with the best possible service.