

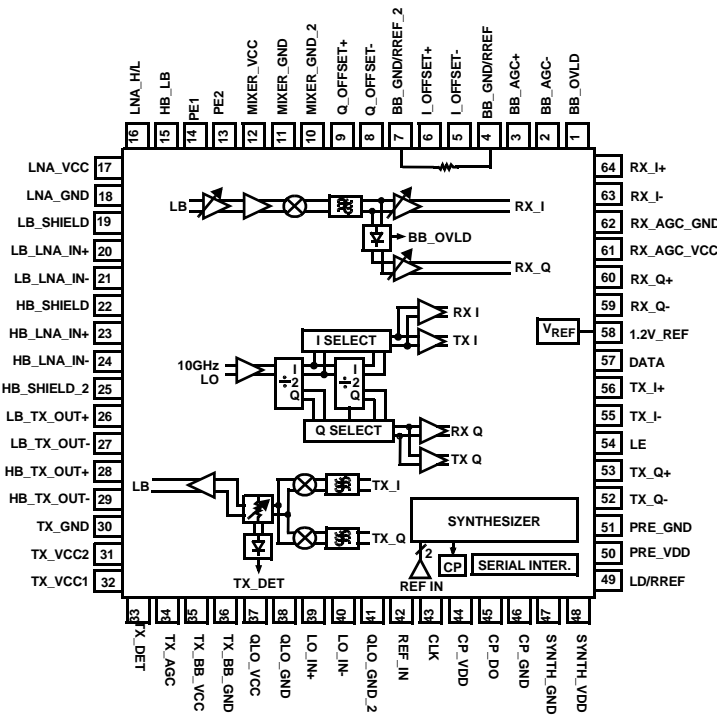
Dual Band Direct Conversion Transceiver



The Intersil ISL3690 is a highly integrated UHF2 process, DUAL BAND direct conversion transceiver and is part of a 2.4/5.2GHz, IEEE802.11a/b/g compliant radio chipset. The ISL3690 directly interfaces with Intersil's ISL3890 Medium Access Controller with Integrated Baseband processor. The addition of Intersil's ISL3990 power amplifier and ISL3090 10GHz VCO completes a WLAN transceiver application.

Pinout

**ISL3690 (QFN)
TOP VIEW**



Features

- Highly integrated Dual Band RF to baseband solution
- Frequency of operation . 2.4 to 2.5GHz or 5.15 to 5.35GHz
- Low supply operation 2.7 to 3.3V
- Noise figure 5.4dB
- TX OFDM Output Power -5dBm
- TX I/Q MTPR, PAR=12 -45dB
- RX Voltage gain 0 to 74dB
- RX I/Q MTPR, PAR=12, High Gain -35dB
- TX/RX switching speed <1µs
- Direct simple interface to ISL3890
- QFN Package:
 - Compliant to JEDEC PUB95 MO-220
 - QFN - Quad Flat No Leads - Package Outline
 - Near Chip Scale Package footprint, which improves PCB efficiency and has a thinner profile

Applications

- PC card wireless LAN adapters
- High data rate wireless LAN systems targeting IEEE802.11 a/b/g standards
- Spread spectrum Dual Band WLAN RF modems
- TDMA or CSMA packet protocol Dual Band radios
- PCI wireless LAN cards
- ISA, ISA PnP WLAN cards

Ordering Information

PART NUMBER	TEMP. RANGE (°C)	PACKAGE	PKG. NO.
ISL3690IR	-40 to 85	64 Ld QFN	L64.9x9
ISL3690IR-TK	Tape and Reel		

This datasheet has been downloaded from:

www.DatasheetCatalog.com

Datasheets for electronic components.



LittleDiode supplies new, hard to find or obsolete electronic components and semiconductors all over the world.

With over two million different components listed you are sure to find the part you need.

Feel free to visit us today at our online store:

LittleDiode.com

Looking forward to providing you with the best possible service.