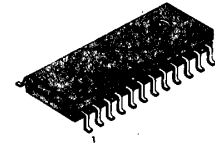


RGB ENCODER

The KA2197 is a monolithic integrated circuit designed for RGB encoder of video system. This device contains matrix of R-Y/B-Y, modulator, pulse generator, regulator and built in BPF of chroma and delay line of luminance and Y/C output using S-VHS system. The KA2197D is suitable for video equipment.

24-SOP



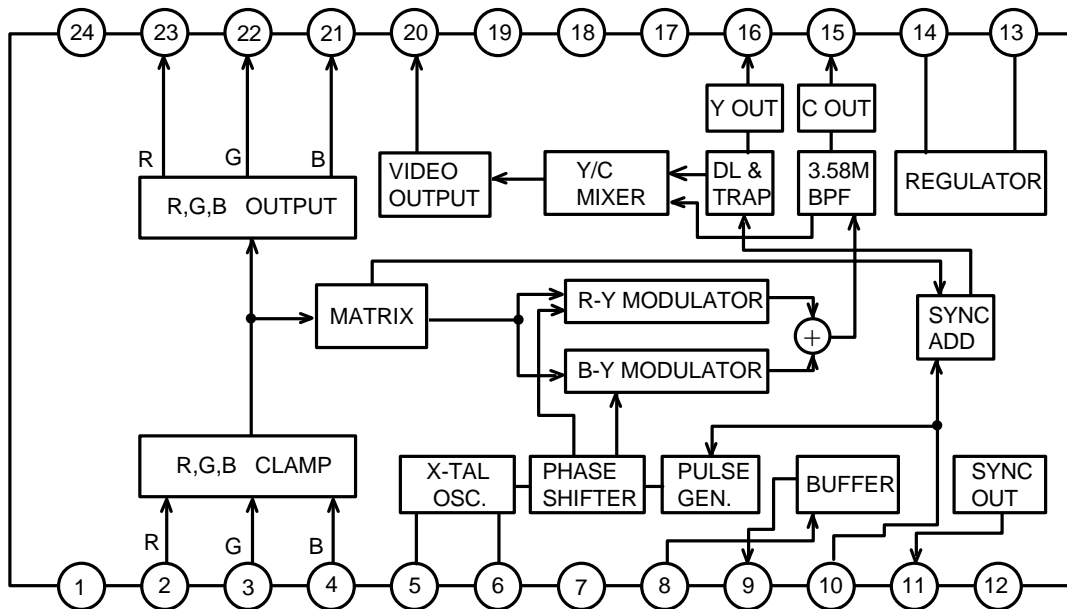
FUNCTIONS

- Regulator
- Mixer of R-Y, B-Y
- Modulator
- Pulse generator
- Audio buffer
- X-tal oscillator
- Clamp circuit
- BPF & D.L circuit
- Y/C output

ORDERING INFORMATION

Device	Package	Operating Temperature
KA2197D	24SOP	-20°C ~+70°C

BLOCK DIAGRAM



PIN CONFIGURATION

Pin No.	DESCRIPTION	Pin NO	DESCRIPTION
1	GND 1	13	REGULATOR CURRENT SINK
2	RED INPUT	14	2V REGULATOR OUTPUT
3	GREEN INPUT	15	C OUT
4	BLUE INPUT	16	Y OUT
5	X-TAL OUT	17	N.C
6	X-TAL IN	18	N.C
7	N.C	19	VCC 2
8	AUDIO IN	20	COMPOSITE VIDEO OUTPUT
9	AUDIO OUT	21	BLUE OUTPUT
10	COMPOSITE SYNC INPUT	22	GREEN OUTPUT
11	COMPOSITE SYNC OUTPUT	23	RED OUTPUT
12	VCC 1	24	GND 2

* VCC 1, GND 1 : EXCEPT OUTPUT STAGE

* VCC 2, GND 2 : OUTPUT STAGE

ABSOLUTE MAXIMUM RATINGS (TA=25°C)

Characteristic	Symbol	Value	Unit
Supply Voltage	V_{CC}	10	V
Power dissipation	P_D	1250	mW
Operating Temperature	T_{OPR}	-20~+70	°C
Storage Temperature	T_{STG}	-55~+150	°C

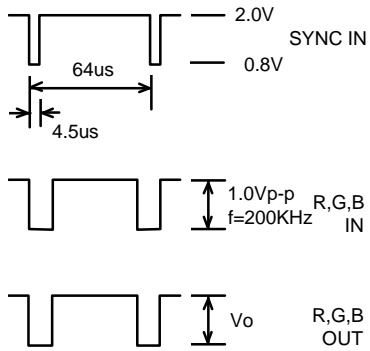
ELECTRICAL CHARACTERISTICS (TA=25°C, VCC=5V)

Characteristic	Symbol	Test Condition	Min	Typ	Max	Unit
Supply Current 1	I_{CC1}	No Signal input	29	39	49	mA
Supply Current 2	I_{CC2}	No Signal input	6.0	11	16	mA
R Output Voltage	V_O	$R_{IN}=1 V_{P-P}$	0.64	0.71	0.78	V_{P-P}
G Output Voltage	V_O	$G_{IN}=1 V_{P-P}$	0.64	0.71	0.78	V_{P-P}
B Output Voltage	V_O	$B_{IN}=1 V_{P-P}$	0.64	0.71	0.78	V_{P-P}
R Frequency Response	f_c	R, G, B f = 200 KHz -dB POINT	5	-	-	MHz
G Frequency Response	f_c		5	-	-	MHz
B Frequency Response	f_c		5	-	-	MHz
Sync. Level	V_{OS}	Condition: R, G, B and C Sync. input Measure Composite Video Output	0.26	0.29	0.33	V
R 100% Y Level	V_O		0.19	0.21	0.25	V
G 100% Y Level	V_O		0.38	0.42	0.48	V
B 100% Y Level	V_O		0.07	0.08	0.09	V

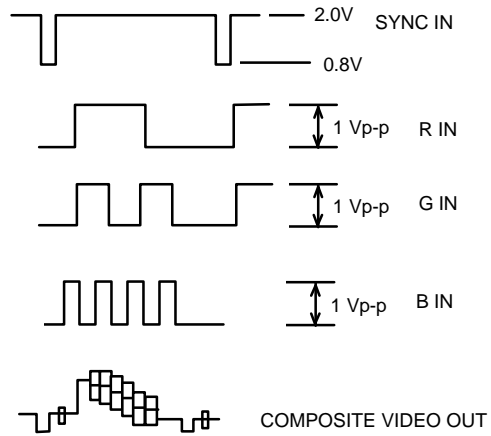
Characteristic	Symbol	Test Conditions	Min	Typ	Max	Unit
White 100% Y level	V_O	Composite Video Output	0.64	0.71	0.82	V
Differential Gain	DG		-	-	3.0	%
Differential Phase	DP		-	-	3.0	deg
Burst Level	V_{OB}		0.22	0.29	0.34	V_{P-P}
R Chroma Ratio	R/BN		2.8	3.15	3.5	times
G Chroma Ratio	G/BN		2.65	2.95	3.25	times
B Chroma Ratio	B/BN		2.01	2.24	2.57	times
R Phase	SR		94	104	114	deg
G Phase	SG		231	241	251	deg
B Phase	SB		337	347	357	deg
Burst Width	T_{WB}		2.5	2.75	3.6	us
Burst Position	T_{DB}		0.45	0.5	0.75	us
Carrier Leakage	VI		-	-	30	mV_{P-P}
C Sync. Output Level	V_{OS}		0.2	0.29	0.4	V_{P-P}
Audio Buffer Gain	G_A	$1V_{P-P}, f=1KHz$	-1.0	0	1.0	dB
Audio Freq. Response	F_A	-3dB	30	-	-	KHz
Audio Distortion	THD	$1V_{P-P}, f=1KHz$	-	-	1.0	%
Sync. Level	Y(CS)	Y OUTPUT	0.26	0.29	0.33	V_{P-P}
R 100% Y Level	Y(R)		0.19	0.21	0.25	V
G 100% Y Level	Y(G)		0.38	0.42	0.48	V
B 100% Y Level	Y(B)		0.07	0.08	0.09	V
White 100% Y Level	Y(W)		0.64	0.71	0.82	V
Burst Level	C(BN)	C OUTPUT	0.22	0.29	0.34	V_{P-P}
R Chroma ratio	C(R/BN)		2.80	3.15	3.50	time
G Chroma ratio	C(G/BN)		2.65	2.95	3.25	time
B Chroma ratio	C(B/BN)		2.01	2.24	2.47	time

TEST WAVEFORM

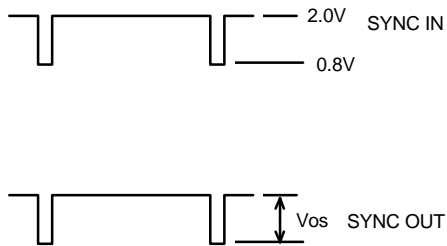
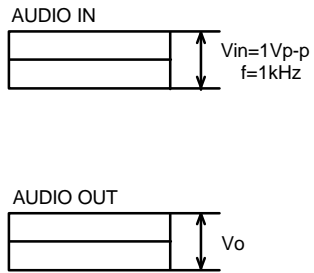
*R,G,B OUT



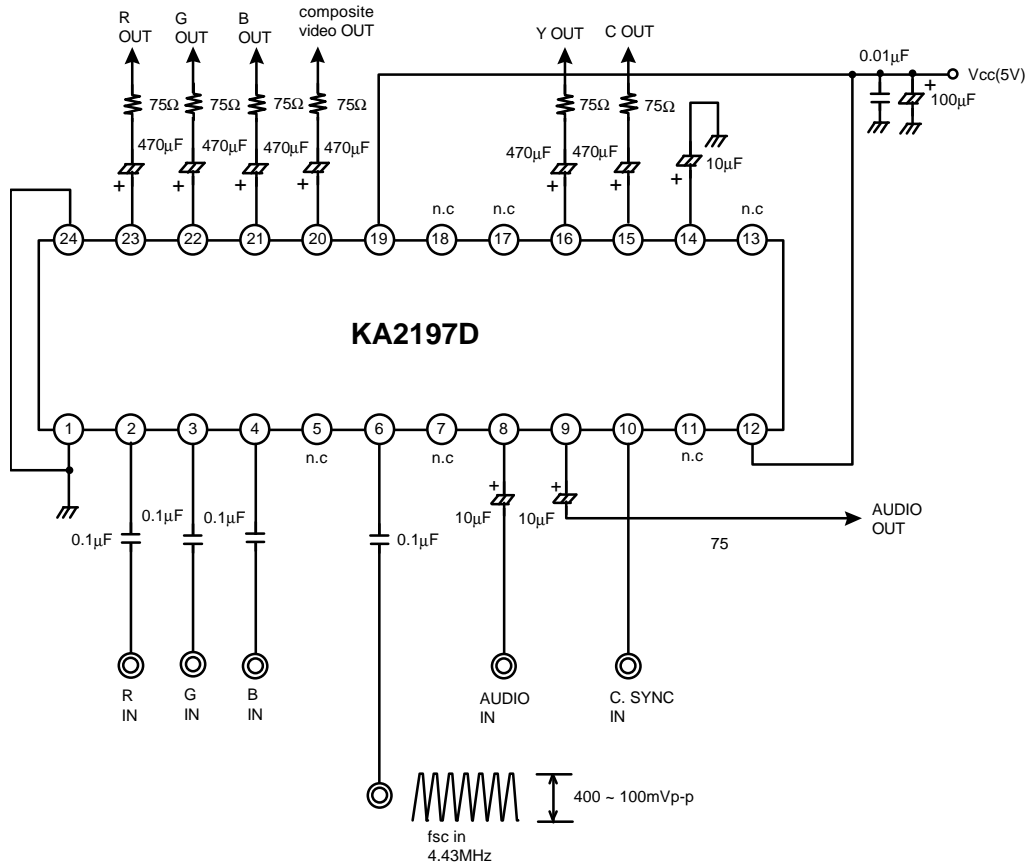
* COMPOSITE VIDEO OUT



*AUDIO OUT



APPLICATION CIRCUIT



** only using external fsc input



LittleDiode supplies new, hard to find or obsolete electronic components and semiconductors all over the world.

With over two million different components listed you are sure to find the part you need.

Feel free to visit us today at our online store:

LittleDiode.com

Looking forward to providing you with the best possible service.