

INTRODUCTION

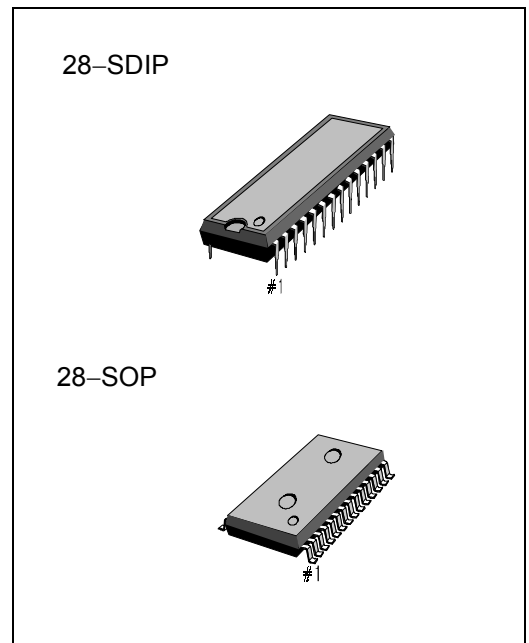
The KA22136/D is a monolithic intergrated circuit designed for use in low voltage and low power applications. It has functions including dual audio pre-power amplifier, electronic volume controller and DC motor speed controller in a single chip. It is suitable for portable tape recorders headphone cassette tape recorders or radios that are battery-operated.

FEATURES

- Low current consumption in an operating voltage range
- Operating supply voltage range: $V_{cc} = 2.1V \sim 5V$
- Only a few components in composing a headphone cassette tape recorder
- Dual audio pre-power amplifier, electronic volume controller and DC motor speed controller in a single chip
- Reduced input and output coupling capacitors because of 1/2 V_{cc} AMP adoption on chip as AC GND

ORDERING INFORMATION

Device	Package	Operating Temperature
KA22136	28-SDIP	-20°C ~ + 65°C
KA22136D	28-SOP	



BLOCK DIAGRAM

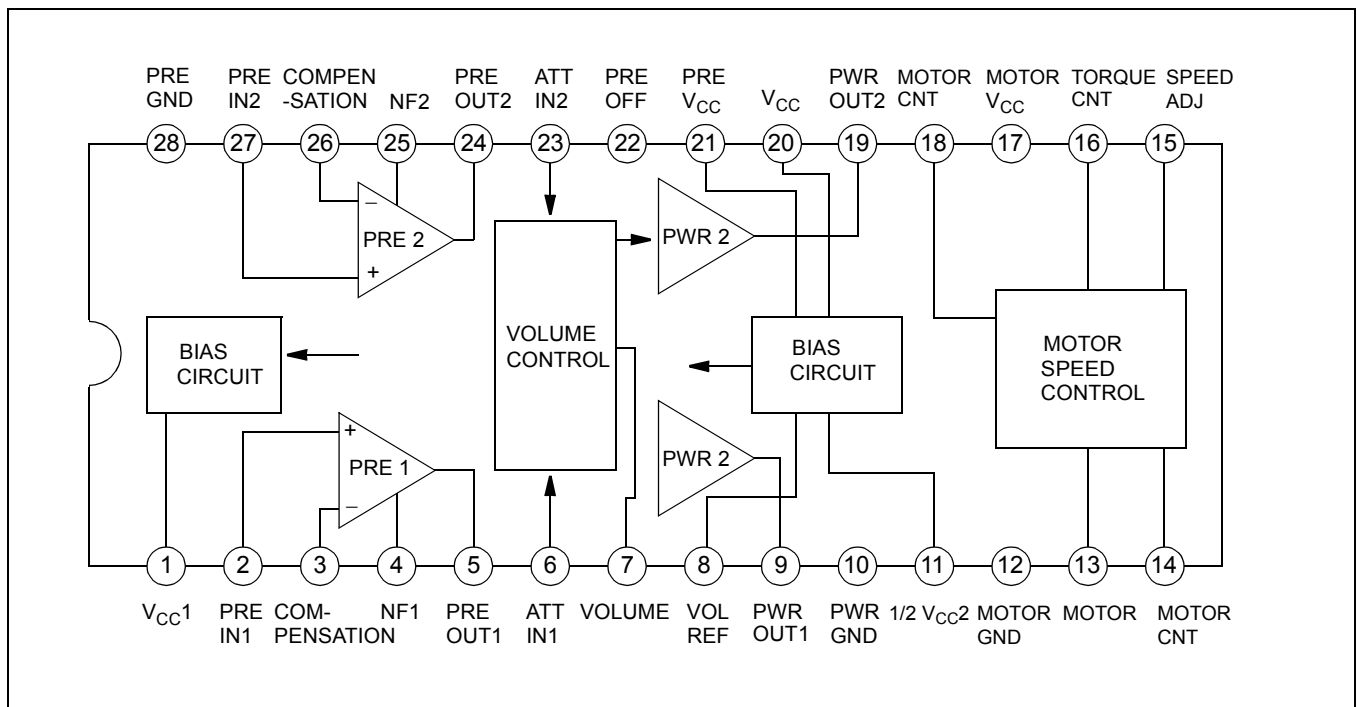


Figure 1.

ABSOLUTE MAXIMUM RATINGS (Ta = 25°C)

Characteristic	Symbol	Value	Unit
Supply Voltage	V _{CC}	7.5	V
Power Dissipation	P _O	450	mW
Operating Temperature	T _{OPR}	-20 ~ +70	°C
Storage Temperature	T _{STG}	-40 ~ +125	°C

ELECTRICAL CHARACTERISTICS(Ta = 25°C, V_{CC} = 3V, unless otherwise specified)

Characteristic	Symbol	Test Conditions	Min.	Typ.	Max.	Unit
Quiescent Circuit Current	I _{CCQ}	V _{CC} = 3V, V _I = 0, I _M = 0	–	18	25	mA

PRE AMPLIFIER SECTION(V_{CC} = 3V, f = 1kHz, R_{L1} = 10kΩ, unless otherwise specified)

Characteristic	Symbol	Test Conditions	Min.	Typ.	Max.	Unit
Open Loop Voltage Gain	G _{VO}	V _O = –10dBm, R _L = ∞	–	70	–	dB
Closed Loop Voltage Gain	G _{VC1}	V _O = –10dBm	40	42	44	dB
Output Voltage	V _O	THD = 1%	0.45	0.6	–	V
Total Harmonic Distortion	THD	V _O = 0.2V	–	0.05	0.5	%
Output Noise Voltage	V _{NO1}	V _I = 0, R _G = 2.2kΩ, BPF(30 ~ 20kHz)	–	150	300	μV
Input Resistance	R _I	V _O = 10dBm	18	22	–	kΩ
Cross Talk	CT ₁	R _G = 2.2kΩ, V _O = –10dBm	30	–	–	dB
Output Voltage In Pre OFF	V _{O(OFF)}	V _I = 100mV Pre OFF (pin 22) = V _{CC}	–	–	–50	dB

POWER AMPLIFIER SECTION(Ta = 25°C, V_{CC} = 3V, unless otherwise specified)

Characteristic	Symbol	Test Conditions	Min.	Typ.	Max.	Unit
Closed Loop Voltage Gain	G _{VC2}	P _O = 5mW	26	28	30	dB
Voltage Gain Difference	ΔG _V	V _{CONT} = Max	–	0	3	dB
Output Power 1	P _{O1}	THD = 10%, R _L = 32Ω	20	28	–	mW
Output Power 2	P _{O2}	THD = 10%, R _L = 16Ω	30	–	–	mW
Total Harmonic Distortion	THD ₂	P _O = 5mW	–	0.2	2.0	%
Pre+ Power Output Noise Voltage	V _{NO2I}	V _I = 0, R _G = 2.2kΩ, V _{CONT} = Max	–	6	10	mV
Output Noise Voltage	V _{NO3I}	R _G = 2.2 kΩ, V _{CONT} = Min	–	0.25	1.0	mV
Cross Talk	CT ₂	R _O = 5mW	20	30	–	dB
Ripple Rejection Ratio	RR	V _{CC} = 3V, 100Hz, 100mVp-p	34	40	–	dB

ATTENUATOR SECTION

($T_a = 25^\circ\text{C}$, $V_{CC} = 3\text{V}$, $f = 1\text{kHz}$, unless otherwise specified)

Characteristic	Symbol	Test Conditions	Min.	Typ.	Max.	Unit
Maximum Input Voltage	$V_{I(\text{MAX})}$	–	0.2	–	–	V
Maximum Attenuation	$V_{\text{ATT}(\text{MAX})}$	$V_{\text{CONT}} = \text{Min}$	66	–	–	dB
Attenuation Error	$V_{\text{ATT}(\text{ERR})}$	$V_{\text{CONT}} = \text{Max}$	–	0	–	dB
Input Impedance	Z_I	–	15	20	–	$\text{K}\Omega$

MOTOR SPEED CONTROLLER

($T_a = 25^\circ\text{C}$, $V_{CC} = 3\text{V}$, $I_M = 100\text{mA}$, unless otherwise specified)

Characteristic	Symbol	Test Conditions	Min.	Typ.	Max.	Unit
Circuit Current	I_{MC}	–	–	3.0	5.0	mA
Starting Current	I_{MS}	–	500	–	–	mA
Reference Voltage	V_{REF}	V(pin 15, 16)	0.72	0.80	0.87	V
Reference Voltage Regulation 1	$\Delta V_{\text{REF}1}$	$V_{CC} = 2.1 \sim 5.0 \text{ V}$	–	0.05	–	%/V
Reference Voltage Regulation 2	$\Delta V_{\text{REF}2}$	$I_M = 25 \sim 250 \text{ mA}$	–	0.01	–	%/mA
Reference Voltage Regulation 3	$\Delta V_{\text{REF}3}$	$T_a = -10 \sim 50 \text{ }^\circ\text{C}$	–	0.01	–	%/°C
Current Coefficient	K	–	32	38	43	–
Current Coefficient Regulation 1	$\Delta K1$	$V_{CC} = 2.1 \sim 5.0 \text{ V}$	–	0.50	–	%/V
Current Coefficient Regulation 2	$\Delta K2$	$I_M = 25 \sim 250 \text{ mA}$	–	0.05	–	%/mA
Current Coefficient Regulation 3	$\Delta K3$	$T_a = -10 \sim 50 \text{ }^\circ\text{C}$	–	0.02	–	%/°C
Saturation Voltage	V_{SAT}	$I_M = 200\text{mA}$, Pin14 = V_{CC}	–	–	0.6	V
Leakage Current	I_{LKG}	Pin 18 = V_{CC}	–	50	200	μV

* Voltage across Pin 13, 17

TEST CIRCUIT

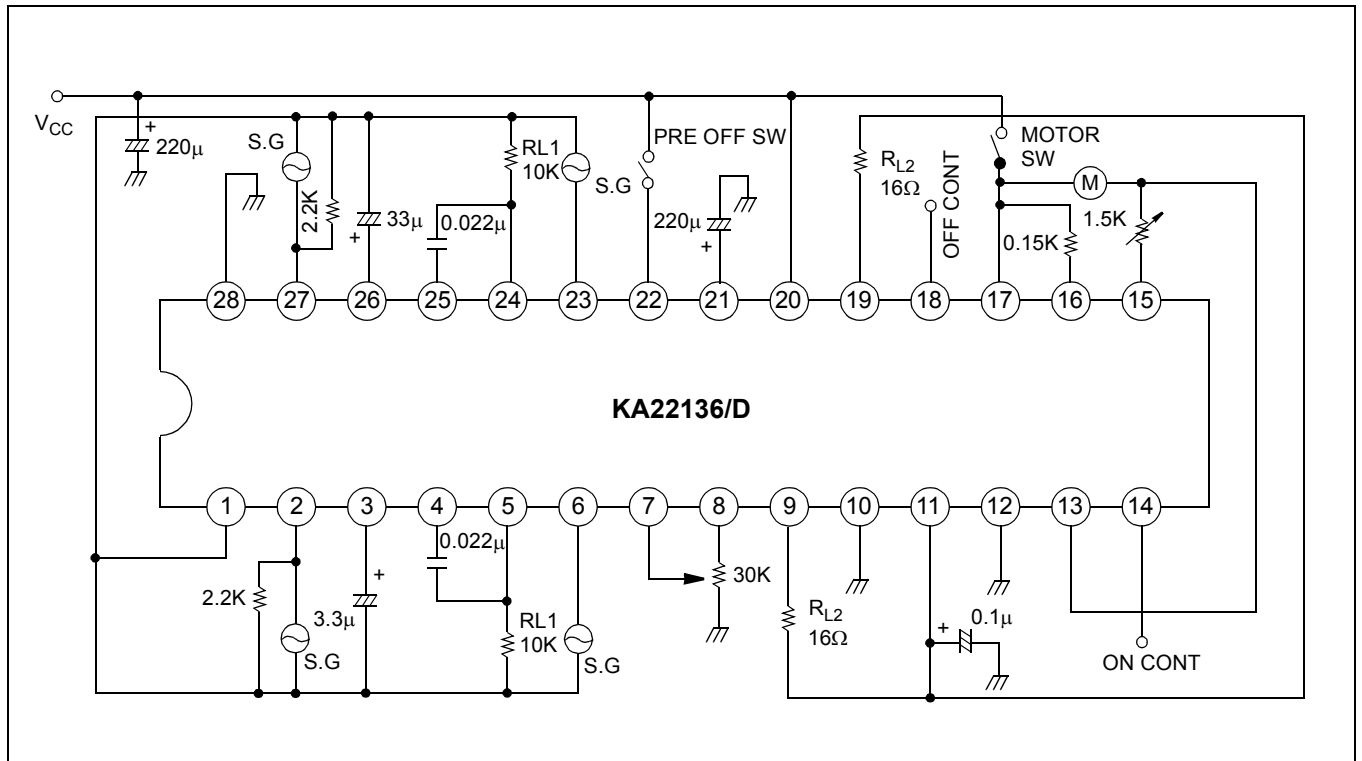


Figure 2.

APPLICATION CIRCUIT

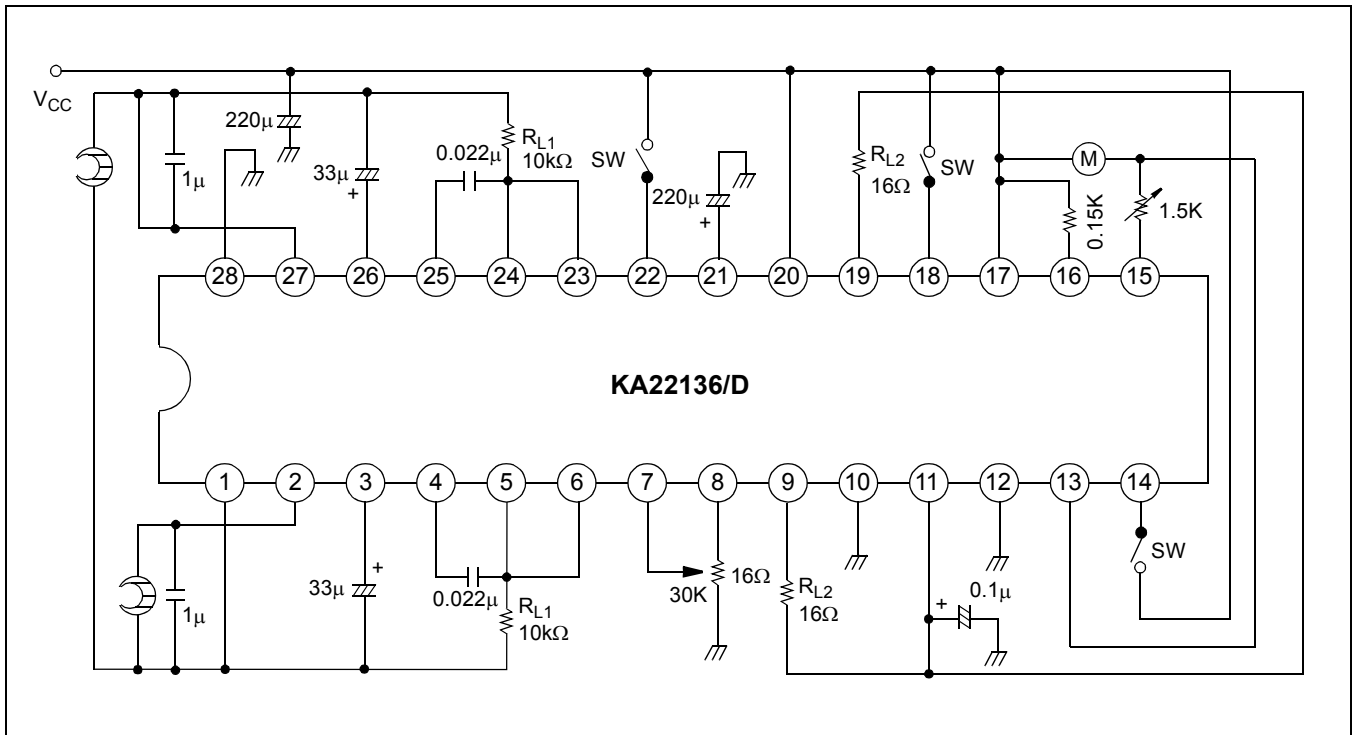


Figure 3.



LittleDiode supplies new, hard to find or obsolete electronic components and semiconductors all over the world.

With over two million different components listed you are sure to find the part you need.

Feel free to visit us today at our online store:

LittleDiode.com

Looking forward to providing you with the best possible service.