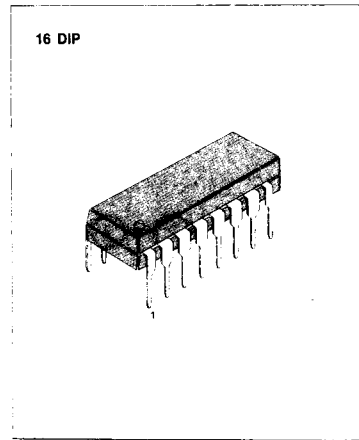


7-DOT LED LEVEL METER DRIVER

The KA2288 is a monolithic integrated circuit consisting of 7-dot LED level meter drivers. The KA2288 employs a low noise comparator which provides 10dB lower noise in the LW, MW band than the previously mentioned LED drivers.

FEATURES

- LED current can be set by an external resistor
- Internal detection amplifier
- Internal voltage regulator
- Constant current output
- Fitted with a signal detect output pin
- VU meter scale



BLOCK DIAGRAM

ORDERING INFORMATION

Device	Package	Operating Temperature
KA2288	16 DIP	-20°C ~ +70°C

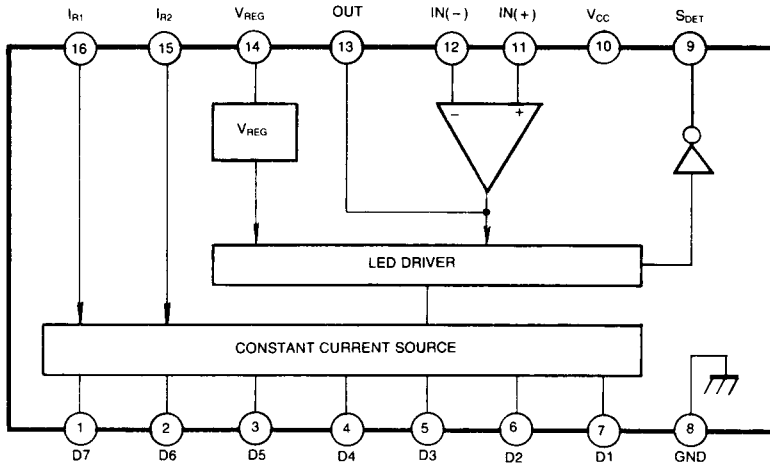


Fig. 1

ABSOLUTE MAXIMUM RATINGS (Ta = 25°C)

Characteristic	Symbol	Value	Unit
Supply Voltage	V _{CC}	18	V
Amp Input Voltage	V _I	0 ~ V _{CC}	V
D Terminal Output Current	I _D	30	mA
D Terminal Output Voltage	V _D	V _{CC}	V
Power Dissipation	P _D	650	mW
Operating Temperature	T _{OPR}	-20 ~ +70	°C
Storage Temperature	T _{STG}	-40 ~ +125	°C

ELECTRICAL CHARACTERISTICS

Characteristic	Symbol	Test Conditions	Min	Typ	Max	Unit
Quiescent Circuit Current	I _{CCO}	R ₁ = 4.7K, R ₂ = ∞		8	12	mA
Input Bias Current	I _{BIAS}			-200	-800	nA
Input Offset Voltage	V _{IO}			2	10	mV
Amp Gain	G _V	Open loop	50	70		dB
Reference Voltage	V _{REF}	V _{CC} = 6.2 ~ 16V, R _L = 10K	2.4	2.6	2.9	V
Signal Detection Output High Level	V _{OH(DET)}	R _L = 10K	10	10.3	V	
Output Current 1	I _{O1}	R ₁ = 10K, R ₂ = ∞	4.2	7.1	10.0	mA
Output Current 2*	I _{O2}	R ₁ = 10K, R ₂ = 22K	6.3	10.6	15.0	mA
Output Leakage Current	I _{LEK}	R ₁ = 4.7K, R ₂ = ∞			20	μA
Comparator On Level	V _{CL(ON) 1}	V _{CC} = 6.2V ~ 16V	-22	-20	-18	dB
	V _{CL(ON) 2}		-11	-10	-9	
	V _{CL(ON) 3}		-6.5	-6	-5.5	
	V _{CL(ON) 4}		-3.5	-3	-2.5	
	V _{CL(ON) 5}			0		
	V _{CL(ON) 6}		+2.5	+3	+3.5	
	V _{CL(ON) 7}		+5	+6	+7	
0dB Level	V _{CL(ON) 5}	V _{CC} = 6.2 ~ 16V, V _{REF} = 2.4 ~ 2.9V	1.2	1.3	1.45	V

* : Applied pin: 4, 5, 6, 7

TEST CIRCUIT

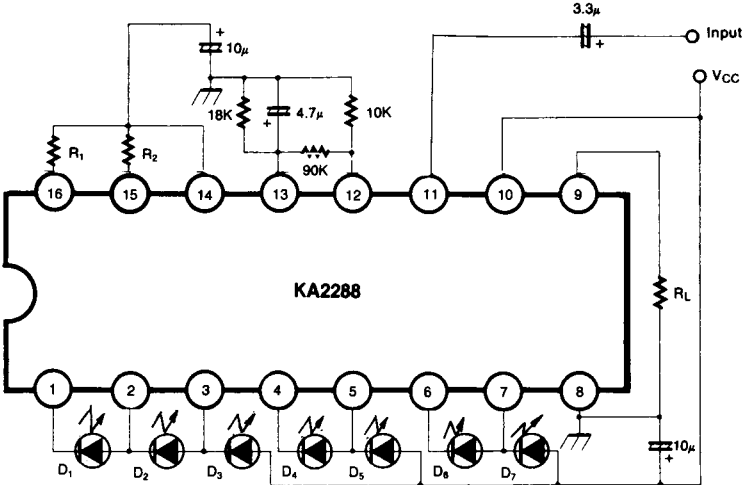


Fig. 2



LittleDiode supplies new, hard to find or obsolete electronic components and semiconductors all over the world.

With over two million different components listed you are sure to find the part you need.

Feel free to visit us today at our online store:

LittleDiode.com

Looking forward to providing you with the best possible service.