

VIDEO IF+SIF SYSTEM

The KA2914A, KA2918 are silicon monolithic integrated circuits designed for the VIF and SIF stage in color and B/W television receivers.

KA2914A: for Reverse AGC type

KA2918: for Forward AGC type

FUNCTIONS

VIF

- Three controlled IF amplifier stages
- Video demodulator controlled by picture carrier
- Black noise and white noise inverter • Peak AGC.
- DC amplifier for RF AGC out

SIF

- Three differential IF amplifier stages • Phase detector
- DC controlled attenuator
- Audio amplifier stage with NFB terminal

FEATURES

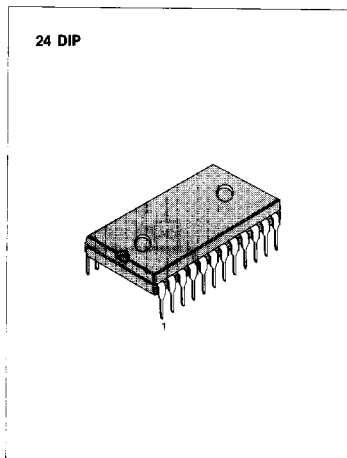
- PIF, SIF, ATT audio driver
- 2 chip color TV system is possible with the KA2153 or KA2154

VIF

- High gain, wide band IF amplifier
- AGC characteristics with excellent stability
- Excellent DG/DP characteristics
- Excellent S/N characteristics due to delayed 3-stage AGC action
- Negative video output signal
- Switch off the video part with VTR SW

SIF

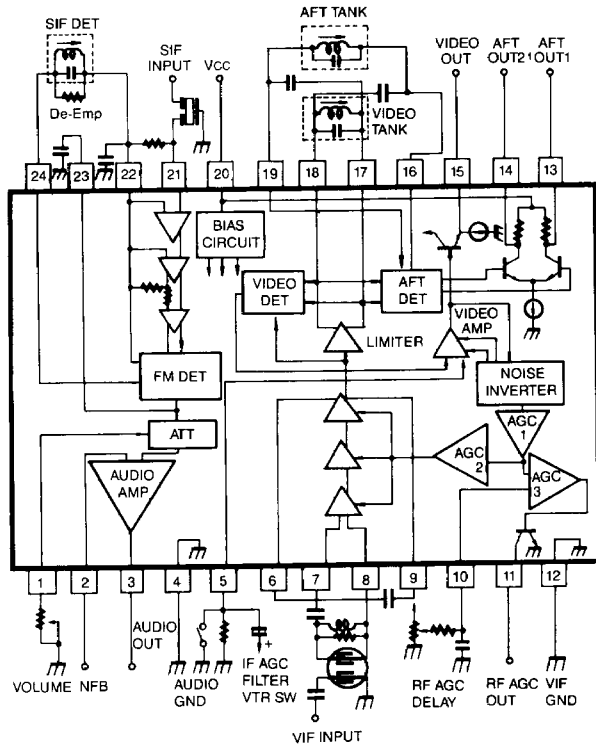
- Excellent limiter characteristics
- Excellent attenuator characteristics



ORDERING INFORMATION

Device	Package	Operating Temperature
KA2914A	24 DIP	- 20 ~ + 65°C
KA2918		

BLOCK DIAGRAM



ABSOLUTE MAXIMUM RATINGS (T_a = 25°C)

Characteristic	Symbol	Value	Unit
Supply Voltage	V _{cc}	15	V
Terminal 11 Open Voltage	V ₁₁	15	V
Video DC Output Current	I ₁₅	6	mA
Audio DC Output Current	I ₃	3	mA
Terminal 2 Voltage	V ₂	15	V
Power Dissipation (Note)	P _d	1.6	W
Operating Temperature	T _{opr}	- 20 ~ 65	°C
Storage Temperature	T _{stg}	- 55 ~ 150	°C

Note: Derated above T_a = 25°C in the proportion of 12.8 mW/°C.

ELECTRICAL CHARACTERISTICS

PIF Section ($T_a = 25^\circ\text{C}$, $V_{CC} = 12\text{V}$, $f_p = 45.75\text{MHz}$, $f_s = 41.25\text{MHz}$)

Characteristic	Symbol	Test Conditions	Min	Typ	Max	Unit	Test Fig
Recommended Supply Voltage	V_{CC}	—	10.8	12.0	13.2	V	—
Supply Current	I_{CC}	—	50	72	95	mA	1
Video DC Output Voltage	V_{15}	SW ₁ : 1 (KA2914A) SW ₂ : 2 (KA2918)	5.2	5.5	5.8	V	1
AFT DC Output Voltage	V_{13}	SW ₁ : 1 (KA2914A) SW ₂ : 2 (KA2918)	5.3	6.8	8.3	V	1
	V_{14}	SW ₁ : 1 (KA2914A) SW ₂ : 2 (KA2918)	5.3	6.8	8.3	V	1
AFT DC Offset Voltage	ΔV_{13-14}	SW: 1 (KA2914A) SW: 2 (KA2918)	-1.5	0	1.5	V	1
RF AGC Residual Output Voltage	$V_{11 \text{ Sat}}$	SW ₁ : 1 (KA2914A) SW ₂ : 2 (KA2918)	—	—	0.5	V	1
RF AGC Leak Current	$I_{11 \text{ LEAK}}$	SW ₁ : 1 (KA2918) SW ₂ : 1 (KA2914A)	—	—	1	μA	1
Video Sensitivity	v_i Pin 7-8	(Note 1)	60	150	250	μV_{rms}	2
AGC Range	ΔA_{VIF}	(Note 2)	60	64	—	dB	2
SYNC TIP Level Voltage	V_{SYNC} (V_{15})	(Note 3)	2.3	2.5	2.7	V	2
Max. IF Input Voltage	$v_{\text{IN Max}}$ PIF	(Note 4)	100	120	—	mV_{rms}	2
White Noise Threshold Level	V_{WTH} (V_{15})	(Note 5)	5.8	6.2	6.6	V	2
White Noise Clamp Level	V_{WCL} (V_{15})	(Note 5)	3.7	4.1	4.5	V	2

ELECTRICAL CHARACTERISTICS

PIF Section ($T_a = 25^\circ\text{C}$, $V_{CC} = 12\text{V}$, $f_p = 45.75\text{MHz}$, $f_s = 41.25\text{MHz}$)

Characteristic	Symbol	Test Conditions	Min	Typ	Max	Unit	Test Fig
Black Noise Threshold Level	V_{BTH} (V_{15})	(Note 5)	1.4	1.6	1.8	V	2
Black Noise Clamp Level	V_{BCL} (V_{15})	(Note 5)	2.9	3.3	3.7	V	2
Video Frequency Response	f_{BW}	(Note 6)	4.5	5.5	—	MHz	3
Suppression of Carrier	CL	(Note 7)	40	50	—	dB	4
Suppression of 2nd Carrier	I_{2nd}	(Note 8)	40	50	—	dB	4
920KHz Beat Level	I_{920}	(Note 9)	33	38	—	dB	4
Differential Phase	DP	(Note 10)	—	3.5	5	deg	5
Differential Gain	DG	(Note 10)	—	7	10	%	5
VIF Input Impedance	R_{IN} (VIF)	(Note 11)	1.5	3.0	6.0	$K\Omega$	6
	C_{IN} (VIF)		—	3.0	10.0	pF	
AFT Sensitivity	$\Delta F/V_{13-14}$	(Note 12)	—	16	—	kHz/V	2
AFT Output Voltage	Upper V_{13U} V_{14U}	(Note 13)	11.7	11.9	12.0	V	2
	Lower V_{13L} V_{14L}	(Note 13)	1.8	2.3	2.8	V	2
RF AGC Max Available Current	I_A Max	$SW_1: 1$ (KA2914A) $SW_2: 1$	0.3	—	—	mA	1
		$SW_1: 2$ $SW_2: 1$ (KA2918)	7.0	—	—		
RF AGC Delay Setting Range	V_{IN} Delay	(Note 14)	5	7	9	V	
AFT Band width	ΔF_W	(Note 13)	1.4	—	—	MHz	2
Video Output Voltage	V_{OUT}	(Note 15)	2.25	2.50	2.75	V	2

ELECTRICAL CHARACTERISTICS

SIF Section ($T_a=25^\circ\text{C}$, $V_{CC}=12\text{V}$, $f_p=45.75\text{MHz}$, $f_s=41.25\text{MHz}$)

Characteristic	Symbol	Test Conditions	Min	Typ	Max	Unit	Test Fig	
SIF Output Voltage	S_{OUT}	(Note 16)	200	400	600	mV_{rms}	3	
Input Limiting Voltage	$V_{IN(LIM)}$	(Note 17) $R_D = \infty$	—	200	400	μV_{rms}	8	
AM Rejection Ratio	AMR	SIF IN: $f = 4.5\text{MHz}$ $f_m = 400\text{Hz}$, $\Delta f = \pm 25\text{kHz}$ AM 30%, $V_{IN} = 100\text{dBu}$	40	45	—	dB	8	
Recovered Output Voltage	V_{OD}	SIF IN: $f = 4.5\text{MHz}$ $f_m = 400\text{Hz}$, $\Delta f = \pm 25\text{kHz}$ $V_{IN} = 80\text{dBu}$, $R_D = 12\text{k}\Omega$	0.5	0.75	—	V_{rms}	8	
Total Harmonic Distortion	THD_{DET}	SIF IN: $f = 4.5\text{MHz}$ $f_m = 400\text{Hz}$, $\Delta f = \pm 25\text{kHz}$ $V_{IN} = 80\text{dBu}$	—	1.0	—	%	8	
Max. Audio Output Voltage	V_{OM}	SIF IN: $f = 4.4 \sim 4.6\text{MHz}$	4.0	—	—	$\text{V}_{\text{p-p}}$	8	
SIF Input Impedance	$R_{IN(SIF)}$	$f = 4.5\text{MHz}$	10.0	20.0	30.0	$\text{K}\Omega$	7	
	$C_{IN(SIF)}$		—	3.0	—	pF		
DET Output Impedance	$R_O(\text{DET})$	(Note 18)	10.0	15.0	20.0	$\text{K}\Omega$	9	
DC Voltage	Terminal 21	$\text{SW}_1: 1$ (KA2914A) $\text{SW}_2: 2$ (KA2918)	3.5	4.4	5.3	V	1	
	Terminal 23		4.8	6.0	7.2	V		
	Terminal 1		$\text{SW}_2: 2$	6.0	6.7	7.4		V
Max. Attenuation	ATT Max	(Note 19)	60	—	—	dB	10	
DC Volume Gain	$G_{\text{ATT Min}}$	$R_A = 0$ $G_{\text{ATT Min}} = 20 \log \frac{V_2}{V_{23}}$	-5.5	-3.5	-1.5	dB	10	
ATT Characteristics	1	$V_1(1)$	*	3.4	3.8	4.2	V	10
	2	$V_1(2)$	**	4.5	4.9	5.3	V	10
Signal Leakage	V_{PT}	(Note 20)	—	1.0	3.0	mV_{rms}	11	
AF AMP. Gain	$G_V \text{ AF}$	(Note 21)	—	20	—	dB	13	
AF AMP. Distortion	THD AF	$P_{23A} = 1\text{V}_{\text{pp}}$, 400Hz $\text{SW}_3: \text{On}$ ATT: -26dB Setting	—	1.5	—	%	12	
AF AMP. Max. Output Voltage	$V_{\text{OAF Max}}$	(Note 21) $\text{THD}_{\text{AF}} 5\%$	1.5	2.0	—	V_{rms}	13	
AF Output DC Voltage	V_3	$\text{SW}_1: 1$ (KA2914A) $\text{SW}_2: 2$ (KA2918) $\text{SW}_2: 2$	6.7	7.7	8.8	V	1	

* Read the 400Hz component of V_{A1} at P_2 with $R_A = 0$, set R_A so that $V_{A1} = 1/2 V_{A1} (-6\text{dB})$, then read DC voltage of terminal 1 (V_1).

** Read the 400Hz component of V_{A1} at P_2 with $R_A = 0$. Set R_A so that $V_{A1} = 3.16 \times 10^{-3} V_{A1} (-50\text{dB})$ then read DC voltage of terminal 1 (V_1).

2. AC Characteristic

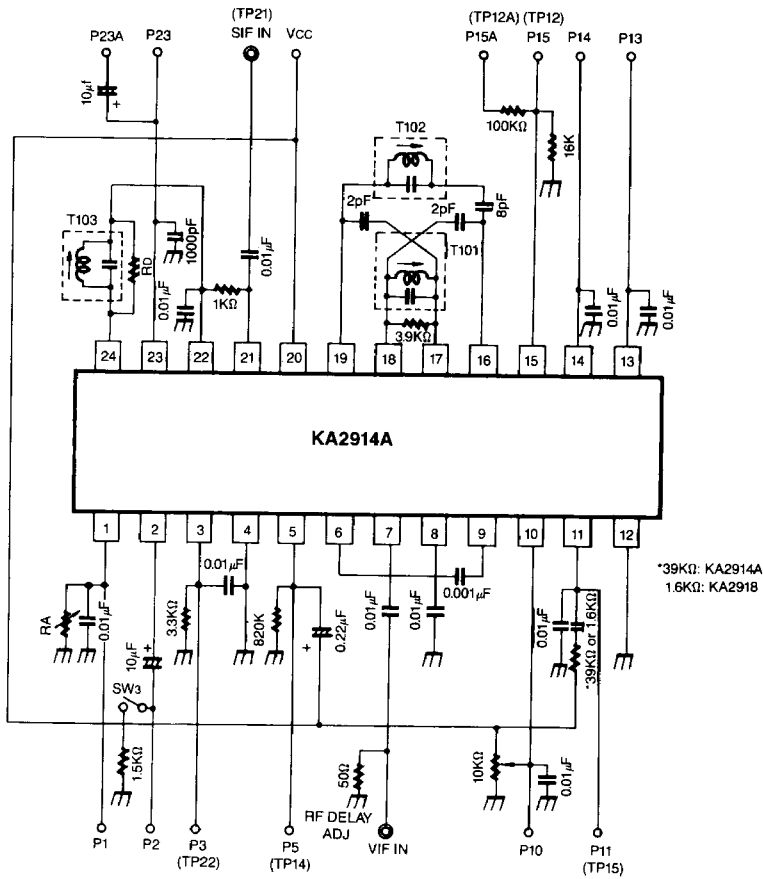


Fig. 2

3

3. Video Frequency Response and SIF Output Voltage

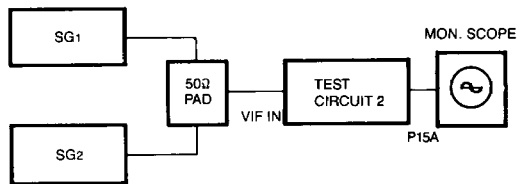


Fig. 3

4. Inter Modulation

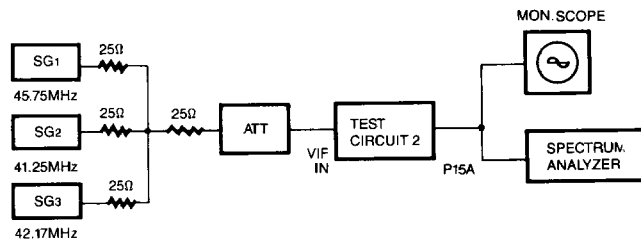
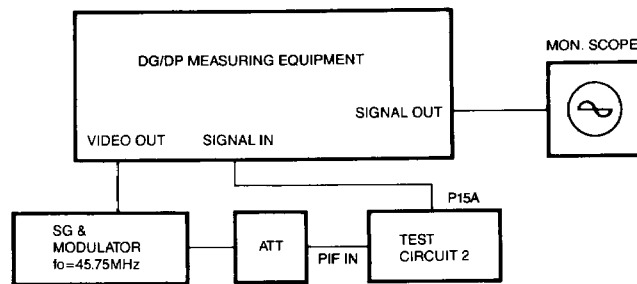


Fig. 4

5. DG, DP



APL=50%
ATT: ADJUST SYNC TIP LEVEL TO DC 2.5V

Fig. 5

6. VIF Input Impedance

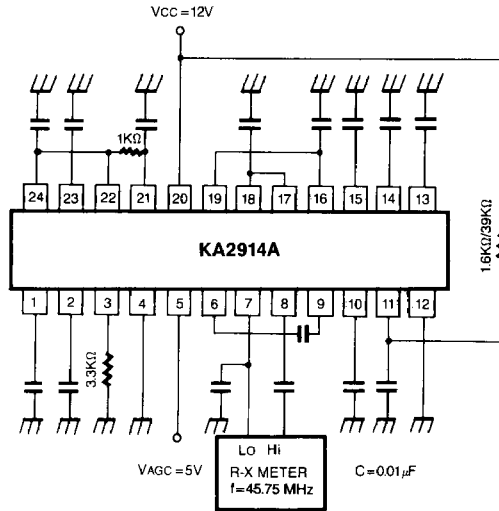


Fig. 6

7. SIF Input Impedance

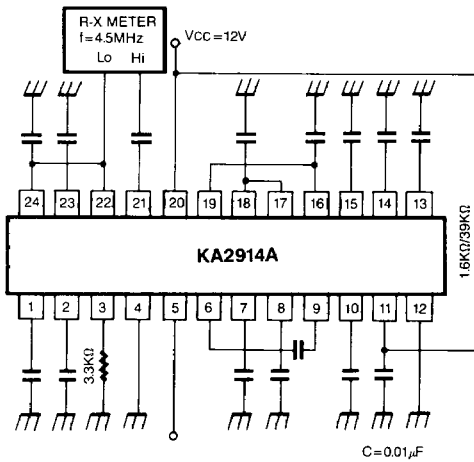


Fig. 7

3

8. $v_{IN(LIM)}$, AMR, V_{OD} , THD, v_{OM}

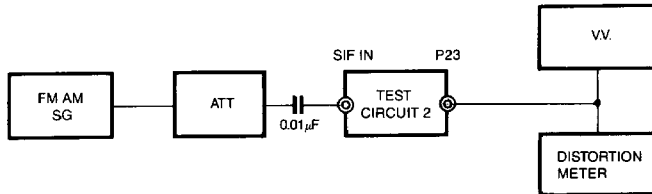


Fig. 8

9. Audio Output Impedance

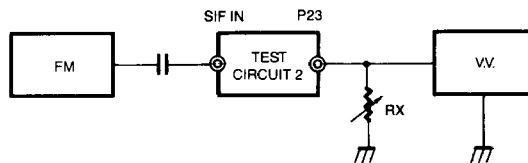


Fig. 9

10. $ATT_{MAX.}$, $G_{ATT MIN.}$, $V_1(1)$, $V_1(2)$

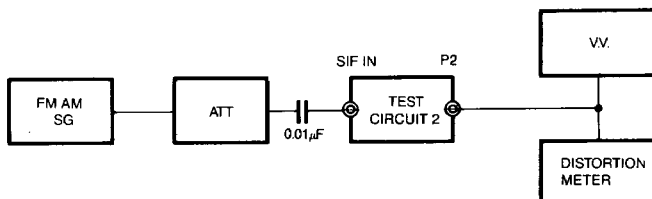


Fig. 10

11. v_{PT}

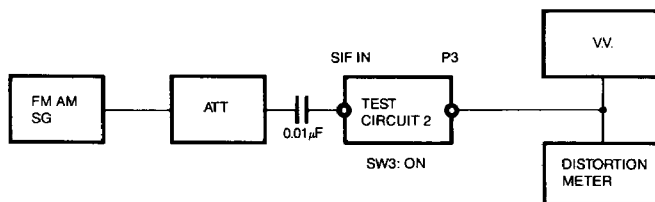


Fig. 11

12. THD_{AF}

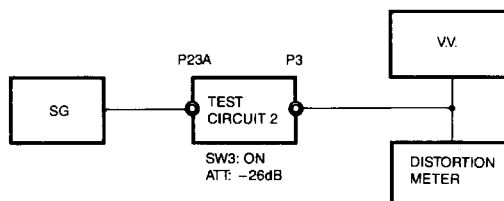


Fig. 12

13. $G_v AF, v_{OAF MAX}$

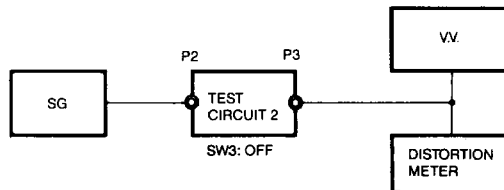


Fig. 13

TEST CONDITIONS

Note 1) V_{AGC} (P5 EXT. Applying voltage)=11.5V

VIF in: $f=45.75\text{MHz}$ 1kHz 30% AM modulation

Adjust the VIF input level v so that the detected output of P15A with high impedance probe will be $0.8V_{p-p}$ and measure the input level.

Note 2) $V_{AGC}=4\text{V}$

Measure VIF input level v same as note 1

$$\Delta A = 20 \log \frac{v}{V} \text{ (dB)}$$

Note 3) VIF IN: $f=45.75\text{MHz}$ CW 15mVrms

Measure the DC level of P15

Note 4) VIF IN: $f=45.75\text{MHz}$ APL 100%, 87.5% AM modulation.

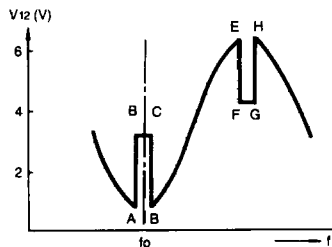
P5: open

(1) Adjust the VIF input level 50mV_{p-p} and measure the detected output level v_{01p-p}

(2) Then increase the input level so that the detected output level will be $1.1 \times v_{01p-p}$ and measure the input level.

Note 5) $V_{AGC}=8\text{V}$

VIF in: $f=45.75\text{MHz} \pm 10\text{MHz}$ variable or sweep 15mVrms measure the DC level of P15.



Note 6) $V_{AGC}=8\text{V}$ ($GR \approx 30\text{dB}$)

SG_1 : 45.75MHz CW

SG_2 : 45.75 – 40MHz variable

(1) Setting output of SG_1 , so that the DC level of P15 will be 4.0V

(2) Setting output off SG_2 (45.75MHz) so that the AC level of P15 will be $0.5V_{p-p}$

(3) Decreasing frequency of SG_2 until the AC level of P15 will be $0.35V_{p-p}$ (-3dB of $0.5V_{p-p}$) then read $f_{SG2} = F f_{BW} = 45.75 - F \text{ MHz}$

- Note 7) SG₁: 45.75MHz, 1kHz 80% AM modulation 100mVrms
 SG₂, SG₃: off
 Setting V_{AGC} so that the output AC level of P15 will be 2.7V_{p-p}
 Measure CL of P15 after setting to 0% AM of SG₁

$$CL = 20 \log \frac{2.7}{V_{CR} (V_{P-P})} \text{ (dB)}$$

- Note 8) Measure I_{2nd} of P15 the same as note 7

- Note 9) V_{AGC} = 8V

SG₁: 45.75MHz (P: picture) 100mVrms
 SG₂: 41.25MHz (S: sound) 32mVrms (-10dB of SG₁)
 SG₃: 42.17MHz (C: chroma) 32mVrms (-10dB of SG₁)

(1) Setting V_{AGC} so that the output tip level (lower) of P15 will be 3.0V DC

(2) Measure the level difference (dB) between the C-level and 920kHz level

- Note 10) V_{AGC} = 8V

VIF IN: f = 45.75MHz video signal (RAMP) 87.5% AM 100mV_{p-p}

Setting ATT so that the SYNC TIP level of P15 will be 2.5V DC.

Measure DP and DG

- Note 11) V_{AGC} = 5V f = 45.75MHz

Measure R_{IN}, C_{IN}

- Note 12) AFT sensitivity $\Delta F/\Delta (V_{13}-V_{14})$

(1) INT, AGC (P5 open)

(2) VIF input: 45.75MHz \pm 1.0MHz, CW 15mVrms

(3) Read the frequency (f₁) of VIF when V₁₃-V₁₄ = -1V

(4) Read the frequency (f₂) of VIF when V₁₃-V₁₄ = 1V then calculate
 $\Delta F/\Delta (V_{13}-V_{14}) = |f_1 - f_2|$

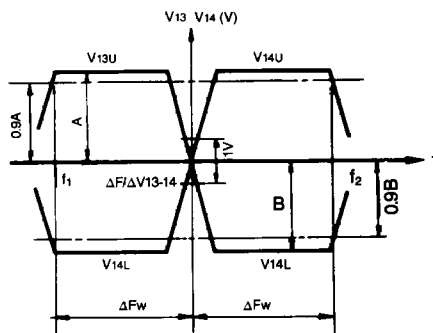
- Note 13) ΔF_W , V_{13U}, V_{14U}, V_{13L}, V_{14L}

(1) INT AGC (P5 open)

(2) VIF IN: 45.75MHz \pm 10MHz CW 15mVrms

(3) 8pF at Pin 16 should be shorted

(4) Read the frequency (f₁ or f₂) when the V₅ or V₆ is reduced to 90% of the level of A or B with varying the frequency. Then the band width is the difference from center frequency (f₀).



Note 14) P5: Open

VIF IN: 45.75MHz CW 20mVrms

- (1) Adjust the voltage of Terminal 3 so that the voltage of Terminal 4 will be 6.0V DC
- (2) Measure the voltage of Terminal 3

Note 15) P5: Open

VIF in: 45.75MHz 100% APL 87.5% AM modulation signal amplitude 50mV_{p-p} Measure the detected output voltage (White peak to sync tip)

Note 16) P5: Open

SG₁: 45.75MHz CW 100mVrmsSG₂: 41.25MHz CW 25mVrms

Measure SIF (4.5MHz) output voltage at P15

Note 17) SIF IN: f=4.5MHz FM f_{MOD}=400Hz Δf=±25kHz,

- (1) Adjust the SIF input level 100mV_{p-p} and measure the detected output level v_{OS}
- (2) Then decrease the input level so that the detected output level will be 3dB down of V_{OS} and measure the input level

Note 18) Output impedance

(1) SIF IN: f=4.5MHz f_{MOD}=400Hz, Δf=±25kHz, 80dB_μ

- (2) At P23 read the V_{O1} at R_X = ∞, then read the R_X when the recovered output becomes V_{O1/2} by varying the R_X. The R_X is the output impedance.

Note 19) ATT MAX

(1) SIF in: f=4.5MHz, f_{MOD}=400Hz, Δf=±25kHz, 80dB_μ

- (2) Read the 400Hz component of V_{A1} at P2 with R_A=0, then read V_{A1'} with R_A=∞

$$\text{ATT MAX} = 20 \log \frac{V_{A1}}{V_{A1'}}$$

Note 20) U_{PT}(1) SIF IN: f=4.5MHz, f_{MOD}=400Hz, Δf=±25kHz, 80dB_μ

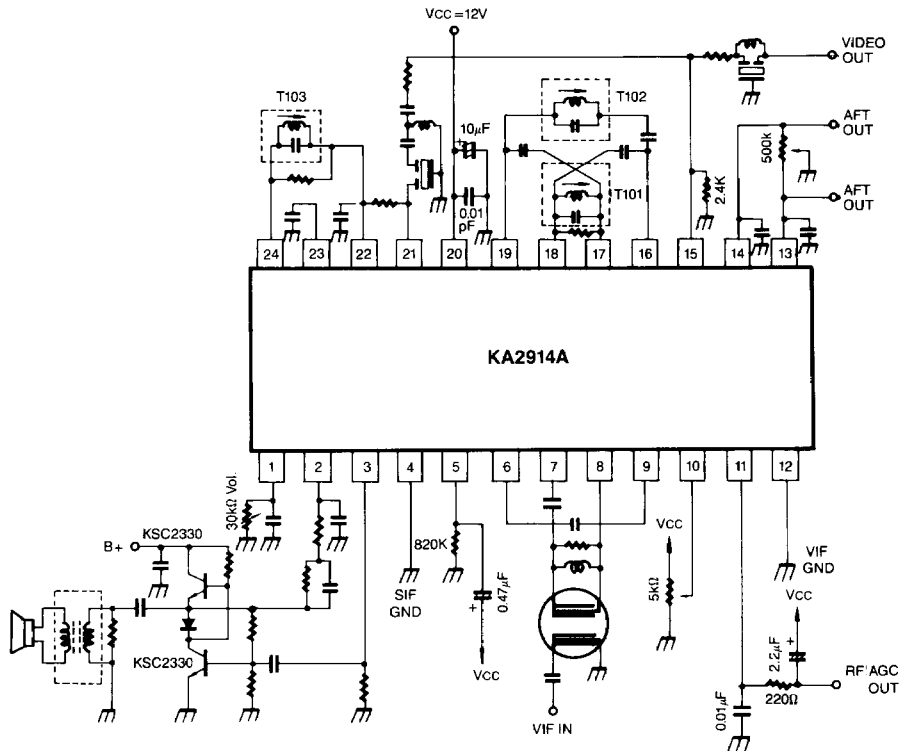
- (2) Read the 400Hz component at P3

Note 21) G_V AF

(1) Apply 400Hz 0.1Vrms signal to P2

- (2) Read the output voltage at P3

TYPICAL APPLICATION CIRCUIT



This datasheet has been downloaded from:

www.DatasheetCatalog.com

Datasheets for electronic components.



LittleDiode supplies new, hard to find or obsolete electronic components and semiconductors all over the world.

With over two million different components listed you are sure to find the part you need.

Feel free to visit us today at our online store:

LittleDiode.com

Looking forward to providing you with the best possible service.