



LM120/LM320 Series 3-Terminal Negative Regulators

General Description

The LM120 series are three-terminal negative regulators with a fixed output voltage of -5V, -12V, and -15V, and up to 1.5A load current capability. Where other voltages are required, the LM137 and LM137HV series provide an output voltage range of -1.2V to -47V.

The LM120 need only one external component—a compensation capacitor at the output, making them easy to apply. Worst case guarantees on output voltage deviation due to any combination of line, load or temperature variation assure satisfactory system operation.

Exceptional effort has been made to make the LM120 Series immune to overload conditions. The regulators have current limiting which is independent of temperature, combined with thermal overload protection. Internal current limiting protects against momentary faults while thermal shutdown prevents junction temperatures from exceeding safe limits during prolonged overloads.

Although primarily intended for fixed output voltage applications, the LM120 Series may be programmed for higher output voltages with a simple resistive divider. The low quiescent drain current of the devices allows this technique to be used with good regulation.

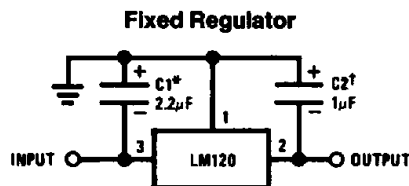
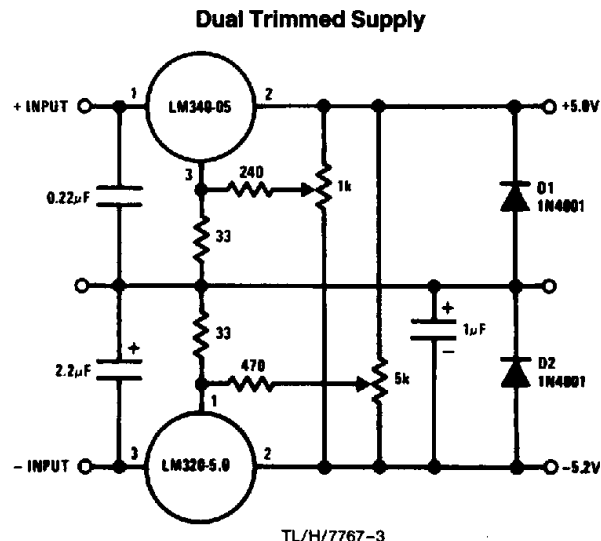
Features

- Preset output voltage error less than ±3%
- Preset current limit
- Internal thermal shutdown
- Operates with input-output voltage differential down to 1V
- Excellent ripple rejection
- Low temperature drift
- Easily adjustable to higher output voltage

LM120 Series Packages and Power Capability

Device	Package	Rated Power Dissipation	Design Load Current
LM120/LM320	TO-3 (K)	20W	1.5A
	TO-39 (H)	2W	0.5A
LM320	TO-220 (T)	15W	1.5A
LM320M	TO-202 (P)	7.5W	0.5A

Typical Applications



*Required if regulator is separated from filter capacitor by more than 3". For value given, capacitor must be solid tantalum. 25 μF aluminum electrolytic may be substituted.

†Required for stability. For value given, capacitor must be solid tantalum. 25 μF aluminum electrolytic may substituted. Values given may be increased without limit.

For output capacitance in excess of 100 μF, a high current diode from input to output (1N4001, etc.) will protect the regulator from momentary input shorts.

— 5 Volt Regulators (Note 3)

Absolute Maximum Ratings

If Military/Aerospace specified devices are required, please contact the National Semiconductor Sales Office/Distributors for availability and specifications. (Note 5)

Power Dissipation Internally Limited
Input Voltage -25V

Input-Output Voltage Differential 25V
Junction Temperatures See Note 1
Storage Temperature Range -65°C to +150°C
Lead Temperature (Soldering, 10 sec.) 300°C
Plastic 260°C

Electrical Characteristics

Parameter	Order Numbers	Metal Can Package										Power Plastic Package						
		LM120K-5.0 (TO-3)		LM320K-5.0 (TO-3)		LM120H-5.0 (TO-39)		LM320H-5.0 (TO-39)		LM320T-5.0 (TO-220)		LM320MP-5.0 (TO-202)		Units				
		Min	Max	Min	Max	Min	Max	Min	Max	Min	Max	Min	Max	Typ	Max			
Design Output Current (I_p) Device Dissipation (P_D)	Conditions (Note 1)																	
Output Voltage	T _J = 25°C, V _{IN} = 10V, I _{LOAD} = 5 mA	-5.1	-4.9	-5.2	-4.8	-5.1	-4.9	-5.2	-4.8	-5.2	-4.9	-5.2	-4.8	-5.2	-4.8	-5.2	-4.8	V
Line Regulation	T _J = 25°C, I _{LOAD} = 5 mA, V _{MIN} ≤ V _{IN} ≤ V _{MAX}	10	25	10	40	10	25	10	40	10	25	10	40	10	40	10	40	mV
Input Voltage		-25	-7	-25	-7	-25	-7	-25	-7	-25	-7	-25	-7	-25	-7.5	-25	-7.5	V
Ripple Rejection	f = 120 Hz	54	64	54	64	54	64	54	64	54	64	54	64	54	64	54	64	dB
Load Regulation, (Note 2)	T _J = 25°C, V _{IN} = 10V, 5 mA ≤ I _{LOAD} ≤ I _D	50	75	50	100	50	100	50	100	50	100	50	100	50	100	50	100	mV
Output Voltage, (Note 1)	-7.5V ≤ V _{IN} ≤ V _{MAX} , 5 mA ≤ I _{LOAD} ≤ I _D , P ≤ P _D	-5.20	-4.80	-5.25	-4.75	-5.20	-4.80	-5.20	-4.75	-5.20	-4.80	-5.25	-4.75	-5.25	-4.75	-5.25	-4.75	V
Quiescent Current	V _{MIN} ≤ V _{IN} ≤ V _{MAX}	1	2	1	2	1	2	1	2	1	2	1	2	1	2	1	2	mA
Quiescent Current Change	T _J = 25°C V _{MIN} ≤ V _{IN} ≤ V _{MAX} 5 mA ≤ I _{LOAD} ≤ I _D	0.1	0.4	0.1	0.4	0.05	0.4	0.05	0.4	0.05	0.4	0.05	0.4	0.1	0.4	0.05	0.3	mA
Output Noise Voltage	T _A = 25°C, C _L = 1 μF, I _L = 5 mA, V _{IN} = 10V, 10 Hz ≤ f ≤ 100 kHz	150	50	150	50	150	50	150	50	150	50	150	50	150	50	150	50	μV
Long Term Stability		5	50	5	50	5	50	5	50	5	50	5	50	10	10	10	10	mV
Thermal Resistance Junction to Case		3	35	3	35	3	35	3	35	3	35	3	35	4	50	4	50	°C/W
Junction to Ambient		35	35	35	35	35	35	35	35	35	35	35	35	50	70	50	70	°C/W

Note 1: This specification applies over -55°C ≤ T_J ≤ +150°C for the LM120 and 0°C ≤ T_J ≤ +125°C for the LM320.

Note 2: Regulation is measured at constant junction temperature. Changes in output voltage due to heating effects must be taken into account separately. To ensure constant junction temperature, low duty cycle, pulse testing is used. The LM120/LM320 series does have low thermal feedback, improving line and load regulation. On all other tests, even though power dissipation is internally limited, electrical specifications apply only up to P_D.

Note 3: For -5V 3 amp regulators, see LM145 data sheet.

Note 4: Thermal resistance of typically 85°C/W (in 400 linear feet air flow), 224°C/W (in static air) junction to ambient, of typically 21°C/W junction to case.

Note 5: Refer to RETS120-5H drawing for LM120H-5.0 or RETS120-5K drawing for LM120-5K military specifications.

- 12 Volt Regulators

Absolute Maximum Ratings

If Military/Aerospace specified devices are required, please contact the National Semiconductor Sales Office/Distributors for availability and specifications. (Note 4)

Input-Output Voltage Differential

Junction Temperatures

Storage Temperature Range

Lead Temperature (Soldering, 10 sec.)

30V

See Note 1

-65°C to +150°C

300°C

Power Dissipation

Input Voltage

Internally Limited

-35V

Electrical Characteristics

Parameter	Conditions (Note 1)	Metal Can Package						Power Plastic Package									
		LM120K-12 (TO-3)		LM320K-12 (TO-3)		LM120H-12 (TO-39)		LM320H-12 (TO-39)		LM320T-12 (TO-220)		LM320MP-12 (TO-202)					
		1A 20W	1A 20W	1A 20W	0.2A 2W	0.2A 2W	0.2A 2W	1A 15W	0.5A 7.5W	1A 15W	1A 15W	0.5A 7.5W	0.5A 7.5W				
Design Output Current (I _O) Device Dissipation (P _D)		Min	Typ	Max	Min	Typ	Max	Min	Typ	Max	Min	Typ	Max	Min	Typ	Max	Units
Output Voltage	T _J = 25°C, V _{IN} = 17V, I _{LOAD} = 5 mA	-12.3	-12	-11.7	-12.4	-12	-11.6	-12.3	-12	-11.7	-12.4	-12	-11.6	-12.4	-12	-11.5	V
Line Regulation	T _J = 25°C, I _{LOAD} = 5 mA, V _{MIN} ≤ V _{IN} ≤ V _{MAX}		4	10	4	20	4	20	4	10	4	20	4	4	24	mV	
Input Voltage		-32		-14	-32	-14	-14	-32	-32	-14	-32	-14	-32	-32	-14.5	V	
Ripple Rejection	f = 120 Hz	56	80	80	56	80	80	56	80	80	56	80	80	56	80	dB	
Load Regulation, (Note 2)	T _J = 25°C, V _{IN} = 17V, 5 mA ≤ I _{LOAD} ≤ I _D		30	80	30	80	80	10	10	25	10	30	40	30	40	100	mV
Output Voltage, (Note 1)	14.5V ≤ V _{IN} ≤ V _{MAX} ; 5 mA ≤ I _{LOAD} ≤ I _D , P ≤ P _D	-12.5		-11.5	-12.6		-11.4	-12.5		-11.5	-12.6		-11.4	-12.6		-11.4	V
Quiescent Current	V _{MIN} ≤ V _{IN} ≤ V _{MAX}		2	4		2	4		2	4		2	4		2	4	mA
Quiescent Current Change	T _J = 25°C V _{MIN} ≤ V _{IN} ≤ V _{MAX} 5 mA ≤ I _{LOAD} ≤ I _D		0.1	0.4		0.1	0.4		0.05	0.4		0.1	0.4		0.05	0.3	mA
Output Noise Voltage	T _A = 25°C, C ₁ = 1 μF, I _L = 5 mA, V _{IN} = 17V, 10 Hz ≤ f ≤ 100 kHz		400		400		400		400		400		400		400		μV
Long Term Stability			12	120		12	120		12	120		12	120		24		mV
Thermal Resistance Junction to Case				3			3			Note 3			Note 3		12		°C/W
Junction to Ambient				35			35			Note 3			Note 3		70		°C/W

Note 1: This specification applies over -55°C ≤ T_J ≤ +150°C for the LM120 and 0°C ≤ T_J ≤ +125°C for the LM320.

Note 2: Regulation is measured at constant junction temperature. Changes in output voltage due to heating effects must be taken into account separately. To ensure constant junction temperature, low duty cycle, pulse testing is used. The LM120/LM320 series does have low thermal feedback, improving line and load regulation. On all other tests, even though power dissipation is internally limited, electrical specifications apply only up to P_D.

Note 3: Thermal resistance of typically 85°C/W (in 400 linear feet/min air flow), 224°C/W (in static air) junction to ambient, of typically 21°C/W junction to case.

Note 4: Refer to RETS120H-12 drawing for LM120H-12 or RETS120K-12K drawing for LM120K-12 military specifications.

— 15 Volt Regulators

Absolute Maximum Ratings

If Military/Aerospace specified devices are required, please contact the National Semiconductor Sales Office/Distributors for availability and specifications. (Note 4)

Power Dissipation

Input Voltage

LM120/LM320

LM320T/LM320MP

Internally Limited

—40V

—35V

Input-Output Voltage Differential

Junction Temperatures

Storage Temperature Range

Lead Temperature (Soldering, 10 sec.)

30V

See Note 1

—65°C to +150°C

300°C

Electrical Characteristics

Parameter	Conditions (Note 1)	Metal Can Package						Power Plastic Package									
		LM120K-15 (TO-3)		LM120H-15 (TO-39)		LM320H-15 (TO-39)		LM320T-15 (TO-220)		LM320MP-15 (TO-202)		Units					
		Min	Max	Typ	Min	Max	Typ	Min	Max	Typ	Min	Max	Typ	Min	Max		
Design Output Current (I _O)																	
Device Dissipation (P _D)																	
Output Voltage	T _J = 25°C, V _{IN} = 20V, I _{LOAD} = 5 mA	-15.3	-14.7	-15.4	-15	-14.6	-15.3	-15	-14.7	-15	-14.6	-15.4	-15	-14.5	-15.6	-15	V
Line Regulation	T _J = 25°C, I _{LOAD} = 5 mA, V _{MIN} ≤ V _{IN} ≤ V _{MAX}		10	5	5	20		10	5	5	20		20	5	30	30	mV
Input Voltage		-35	-17	-35	-17	-35	-35	-17	-35	-17	-35	-35	-17	-35	-35	-17.5	V
Ripple Rejection	f = 120 Hz	56		56	80		56	80		56	80		56	80		80	dB
Load Regulation, (Note 2)	T _J = 25°C, V _{IN} = 20V, 5 mA ≤ I _{LOAD} ≤ I _D		80		30	80		25		10	40		80		100		mV
Output Voltage, (Note 1)	17.5V ≤ V _{IN} ≤ V _{MAX} , 5 mA ≤ I _{LOAD} ≤ I _D , P ≤ P _D	-15.5	-14.5	-15.6		-14.4	-15.5		-14.5	-15.6	-14.4	-15.7		-14.3	-15.7		V
Quiescent Current	V _{MIN} ≤ V _{IN} ≤ V _{MAX}		4		2	4		2		2	4		2		4		mA
Quiescent Current Change	T _J = 25°C, V _{MIN} ≤ V _{IN} ≤ V _{MAX} , 5 mA ≤ I _{LOAD} ≤ I _D		0.4		0.1	0.4		0.4		0.05	0.4		0.1		0.05		mA
Output Noise Voltage	T _A = 25°C, C _L = 1 μF, I _L = 5 mA, V _{IN} = 20V, 10 Hz ≤ f ≤ 100 kHz		400		400		400		400		400		400		400		μV
Long Term Stability			15		15	150		15		15	150		15		30		mV
Thermal Resistance Junction to Ambient			3		3	35		Note 3		Note 3	Note 3		Note 3		12		°C/W
			35		35			Note 3		Note 3	Note 3		Note 3		70		°C/W

Note 1: This specification applies over -55°C ≤ T_J ≤ +150°C for the LM120 and 0°C ≤ T_J ≤ +125°C for the LM320.

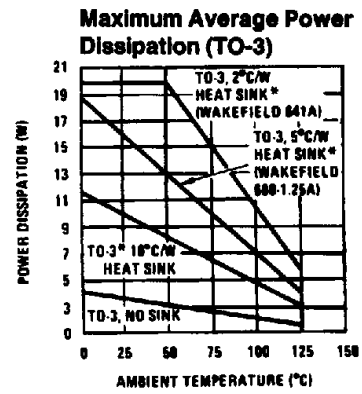
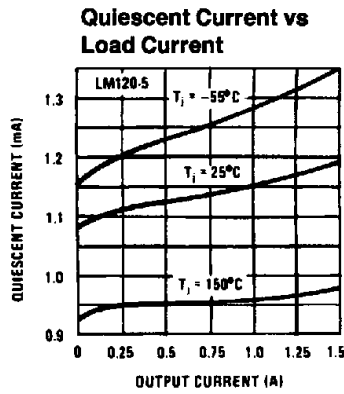
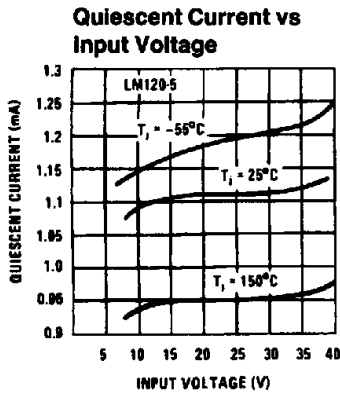
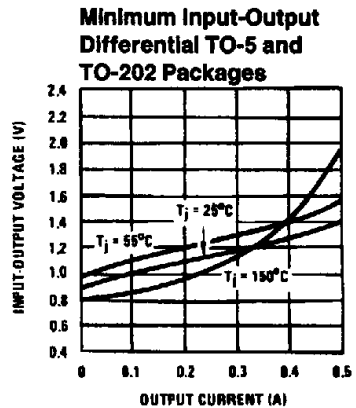
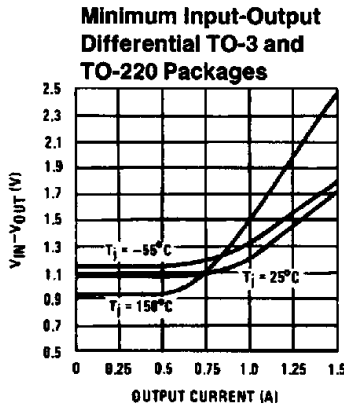
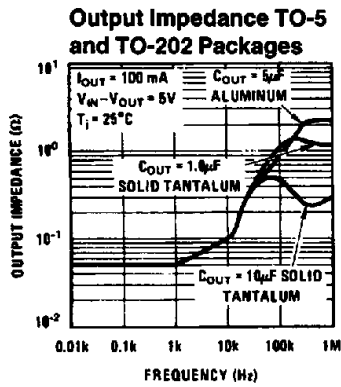
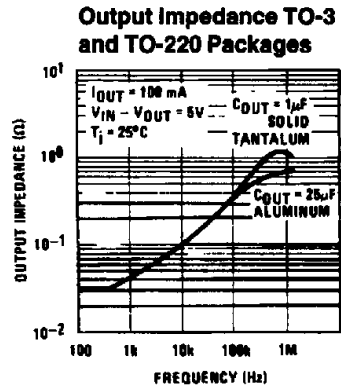
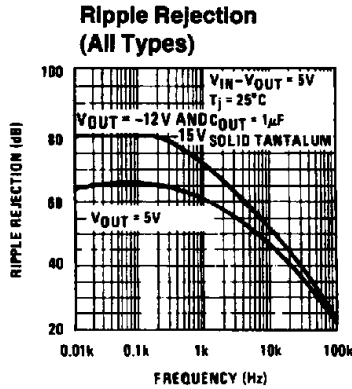
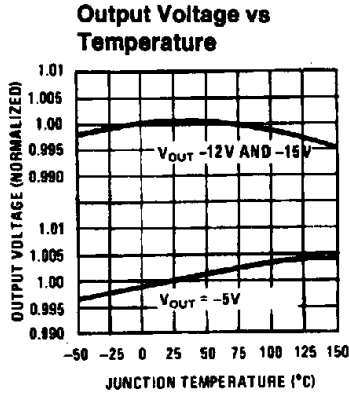
Note 2: Regulation is measured at constant junction temperature. Changes in output voltage due to heating effects must be taken into account separately. To ensure constant junction temperature, low duty cycle, pulse testing is used. The LM120/LM320 series does have low thermal feedback, improving line and load regulation. On all other tests, even though power dissipation is internally limited, electrical specifications apply only up to P_D.

Note 3: Thermal resistance of typically 85°C/W (in 400 linear feet/min air flow), 224°C/W (in static air) junction to ambient, of typically 21°C/W junction to case.

Note 4: Refer to RETS120-15H drawing for LM120H-15 or RETS120-15K drawing for LM120K-15 military specifications.

Typical Performance Characteristics

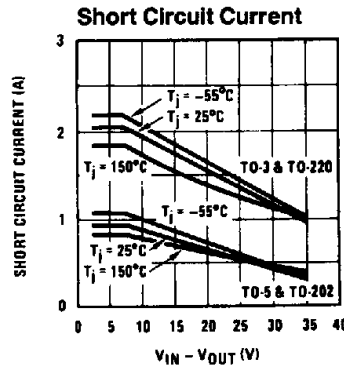
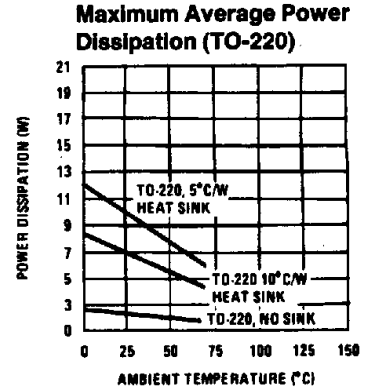
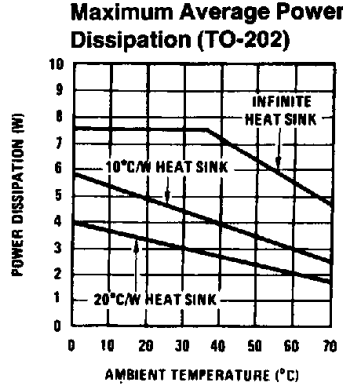
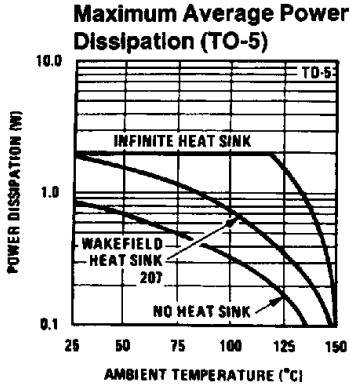
NATL SEMICON (LINEAR)



*These curves for LM120. Derate 25°C further for LM320.

TL/H/7767-4

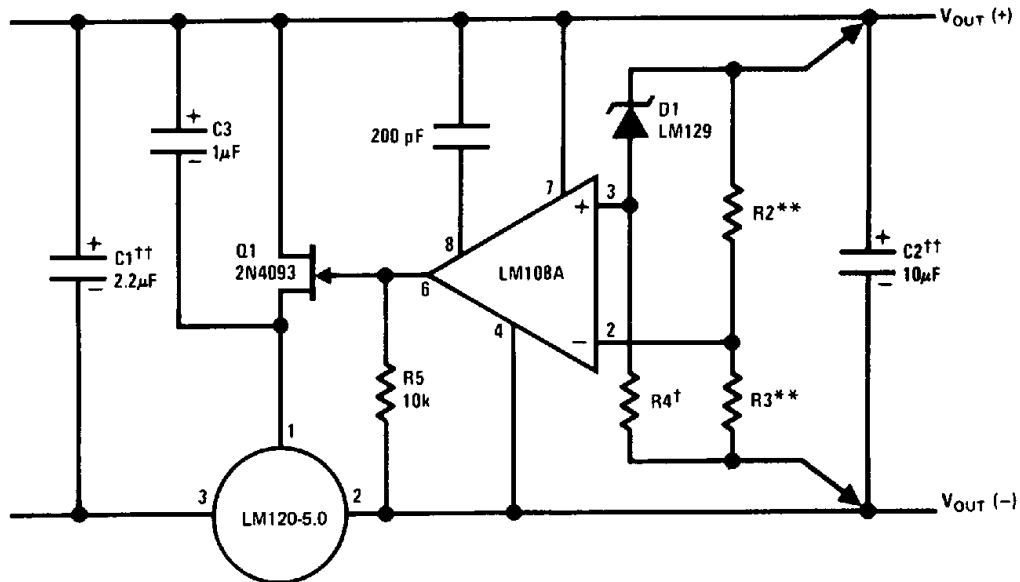
Typical Performance Characteristics (Continued)



TL/H/7767-5

Typical Applications (Continued)

High Stability 1 Amp Regulator



TL/H/7767-6

Lead and line regulation — 0.01% temperature stability — 0.2%

†Determines Zener current.

††Solid tantalum.

An LM120-12 or LM120-15 may be used to permit higher input voltages, but the regulated output voltage must be at least -15V when using the LM120-12 and -18V for the LM120-15.

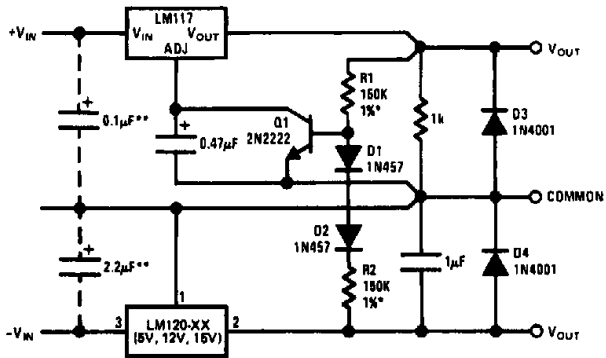
**Select resistors to set output voltage. 2 ppm/°C tracking suggested.

NATL SEMICOND (LINEAR)

Typical Applications (Continued)

NATL SEMICON (LINEAR)

Wide Range Tracking Regulator

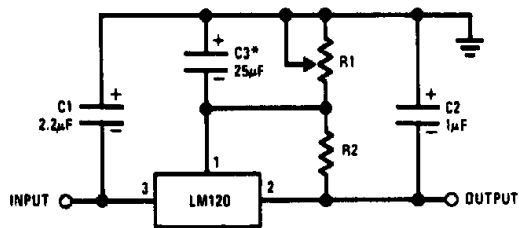


TL/H/7767-7

*Resistor tolerance of R1 and R2 determine matching of (+) and (-) inputs.

**Necessary only if raw supply capacitors are more than 3" from regulators
An LM3086N array may substitute for Q1, D1 and D2 for better stability and tracking. In the array diode transistors Q5 and Q4 (in parallel) make up D2; similarly, Q1 and Q2 become D1 and Q3 replaces the 2N2222.

Variable Output



TL/H/7767-9

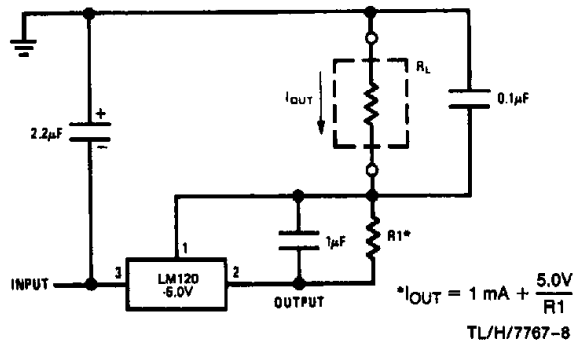
*Optional. Improves transient response and ripple rejection.

$$V_{OUT} = V_{SET} \frac{R1 + R2}{R2}$$

SELECT R2 AS FOLLOWS:

- LM120-5 - 300Ω
- LM120-12 - 750Ω
- LM120-15 - 1k

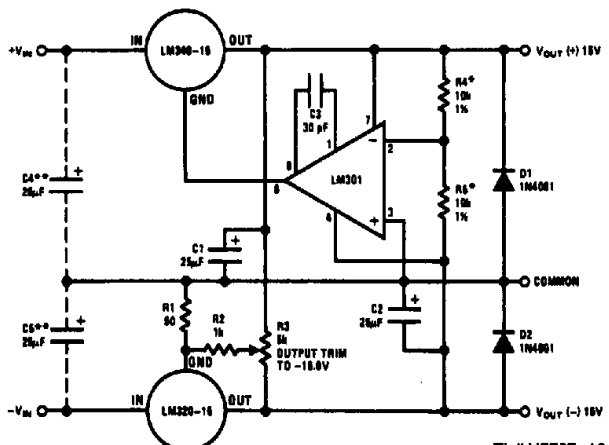
Current Source



$$I_{OUT} = 1 \text{ mA} + \frac{5.0V}{R1}$$

TL/H/7767-8

± 15V, 1 Amp Tracking Regulators



TL/H/7767-12

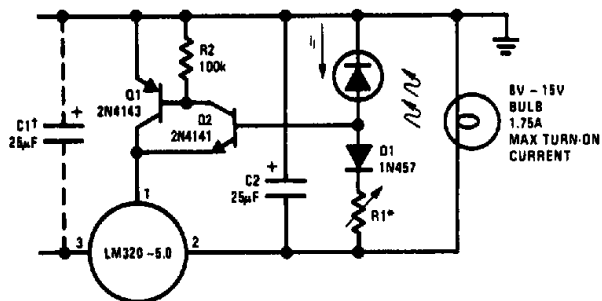
Performance (Typical)

Load Regulation at ΔI _L = 1A	10 mV	1 mV
Output Ripple, C _{IN} = 3000 µF, I _L = 1A	100 µVrms	100 µVrms
Temperature Stability	+ 50 mV	+ 50 mV
Output Noise 10 Hz ≤ f ≤ 10 kHz	150 µVrms	150 µVrms

*Resistor tolerance of R4 and R5 determine matching of (+) and (-) outputs.

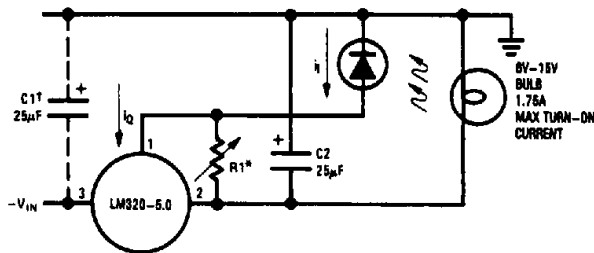
**Necessary only if raw supply filter capacitors are more than 2" from regulators.

Light Controllers Using Silicon Photo Cells



TL/H/7767-10

*Lamp brightness increases until $i_i = 5V/R1$ (i_i can be set as low as 1 µA).
†Necessary only if raw supply filter capacitor is more than 2" from LM320MP.



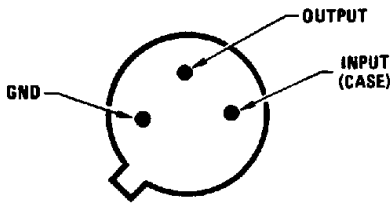
TL/H/7767-11

*Lamp brightness increases until $i_i = i_Q$ (1 mA) + 5V/R1.
†Necessary only if raw supply filter capacitor is more than 2" from LM320.

NATL SEMICOND (LINEAR)

LM120/LM320

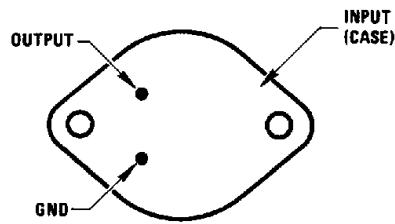
Connection Diagrams



TL/H/7767-13

Bottom View

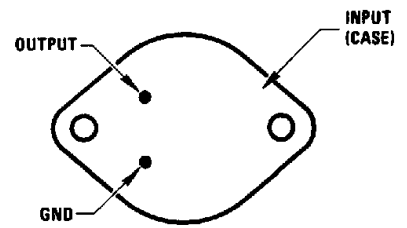
Metal Can Package TO-39 (H)
Order Number LM120H-5.0,
LM120H-12, LM120H-15, LM320H-
5.0, LM320H-12 or LM320H-15
See NS Package Number H03A



TL/H/7767-14

Bottom View

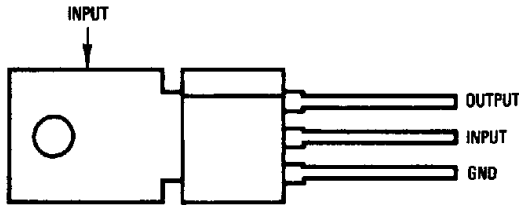
Steel Metal Can Package TO-3 (K)
Order Number LM120K-5.0,
LM120K-12, LM120K-15, LM320K-
5.0, LM320K-12 or LM320K-15
See NS Package Number K02A



TL/H/7767-15

Bottom View

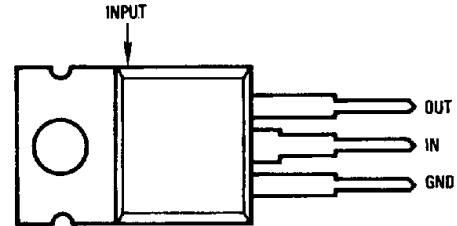
Aluminum Metal Can
Package TO-3 (KC)
Order Number LM320KC-5.0,
LM320KC-12 or LM320KC-15
See NS Package Number KC02A



TL/H/7767-16

Front View

Power Package TO-202 (P)
Order Number LM320MP-5.0,
LM320MP-12 or LM320MP-15
See NS Package Number P03A



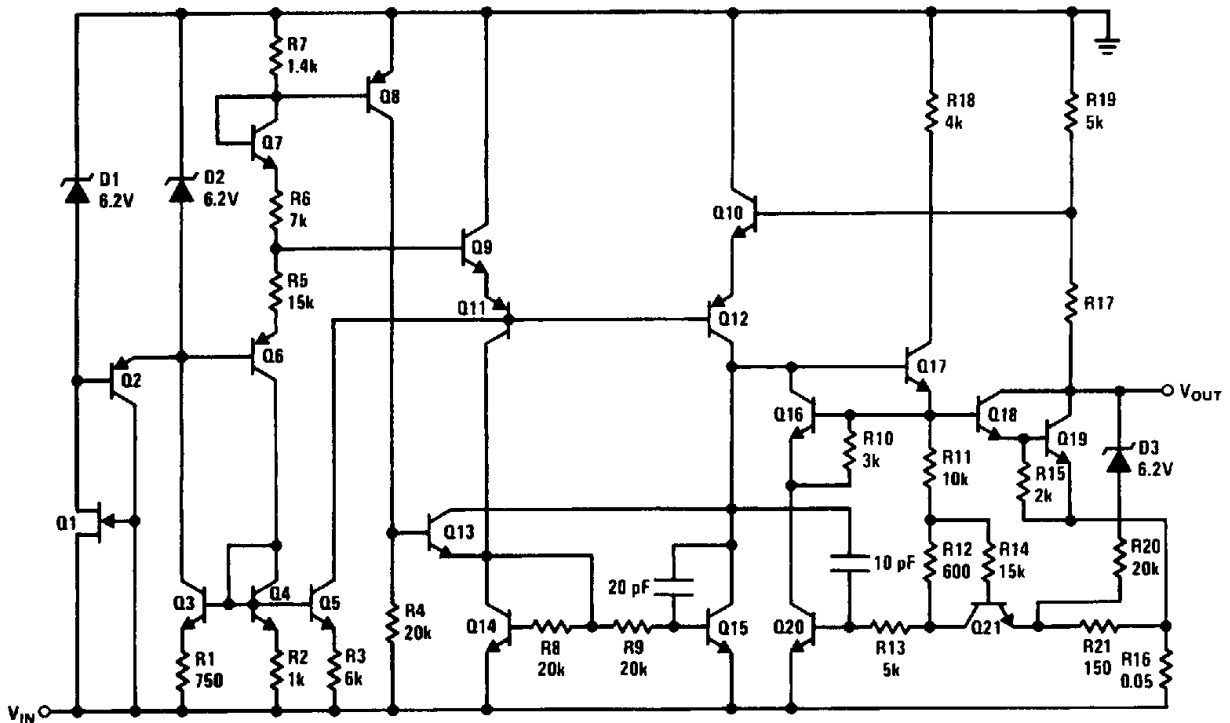
TL/H/7767-17

Front View

Power Package TO-220 (T)
Order Number LM320T-5.0, LM320T-12 or LM320T-15
See NS Package Number T03B

Schematic Diagrams

-5V



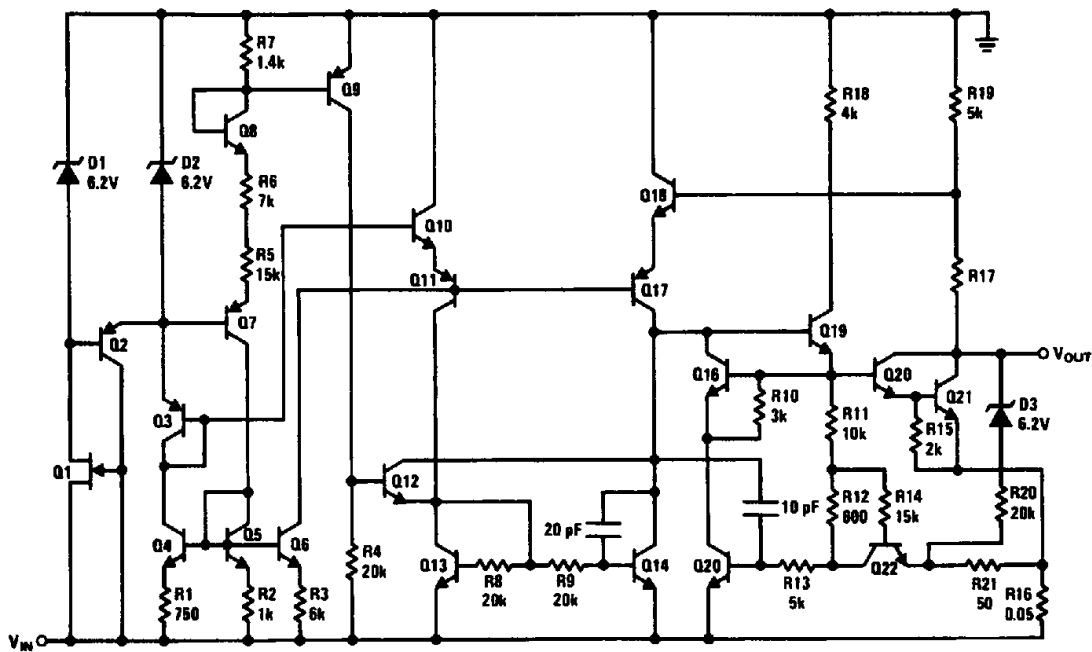
TL/H/7767-18

NATL SEMICOND (LINEAR)

LM120/LM320

Schematic Diagrams (Continued)

- 12V and - 15V



TL/H/7767-19