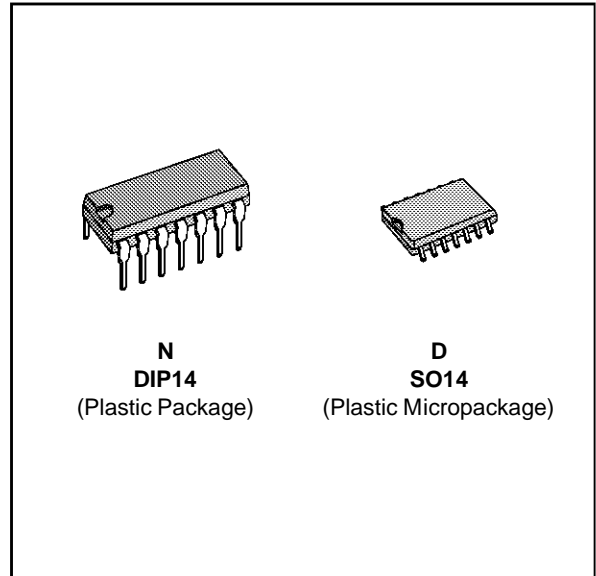


LOW POWER QUAD BIPOLAR OPERATIONAL AMPLIFIERS

- GOOD CONSUMPTION/SPEED RATIO : ONLY 200 μ A/Amp FOR 2.1MHz, 2V/ μ s
- SINGLE (OR DUAL) SUPPLY OPERATION FROM +4V TO +44V (\pm 2V TO \pm 22V)
- WIDE INPUT COMMON MODE VOLTAGE RANGE INCLUDING V_{CC^-}
- LOW LEVEL OUTPUT VOLTAGE CLOSE TO V_{CC^-} : 100mV TYPICAL
- PIN TO PIN COMPATIBLE WITH STANDARD QUAD OP AMPS
- ESD PROTECTION



DESCRIPTION

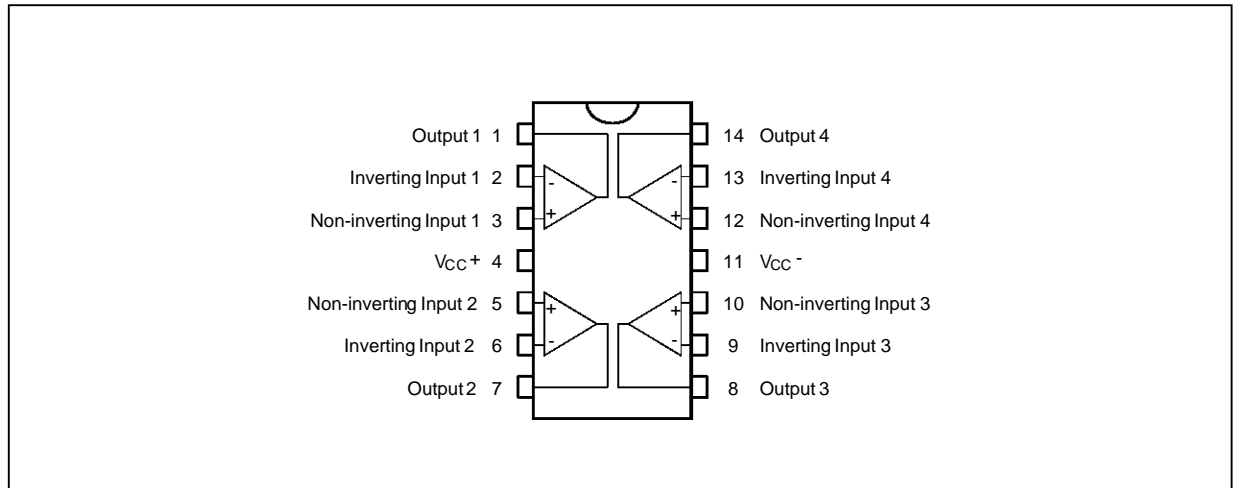
The MC33174 series are quad bipolar operational amplifiers offering both low consumption (200 μ A/Amp) and good speed (2.1MHz, 2V/ μ s). Moreover the Input Common Mode Range extends down to the lower supply rail, allowing single supply operation from +4V to +44V.

ORDER CODES

| Part Number | Temperature Range | Package | |
|--------------------------|-------------------|---------|---|
| | | N | D |
| MC33174 | -40°C, +105°C | • | • |
| MC35174 | -55°C, +125°C | • | • |
| Example: MC33174N | | | |

33174-01.TBL

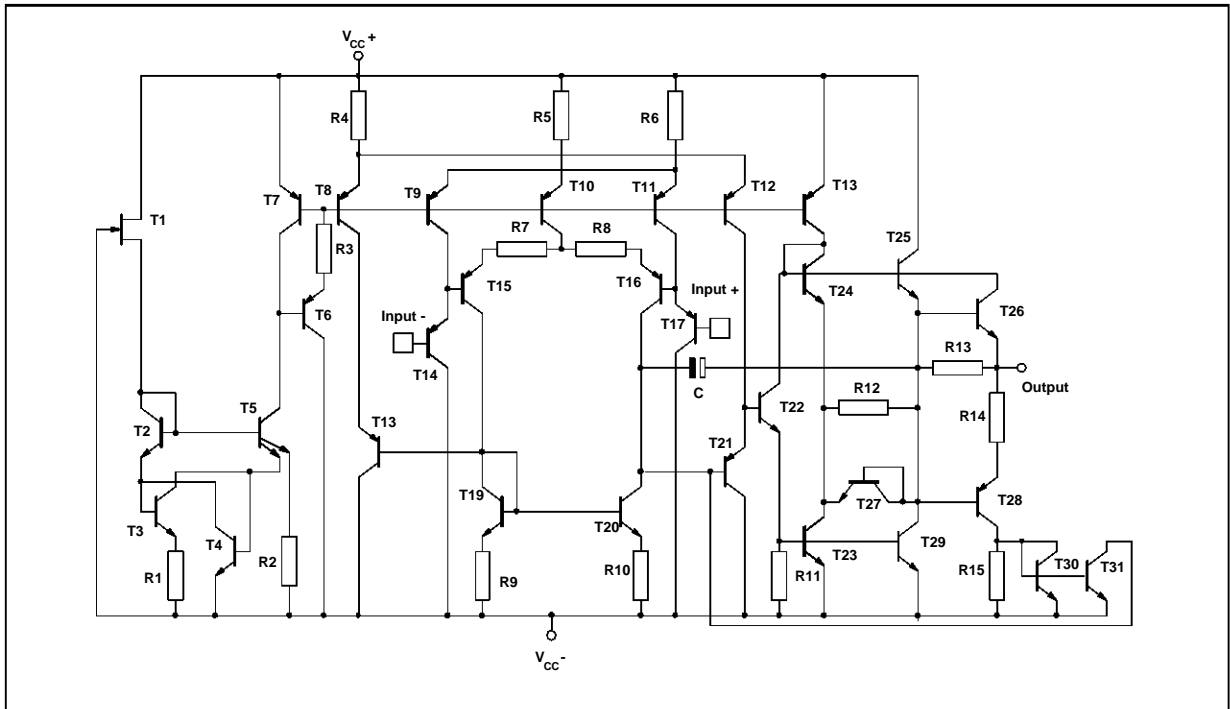
PIN CONNECTIONS (top view)



33174-01.EPS

MC33174 - 35174

SCHEMATIC DIAGRAM (for 1/4 MC33174)



33174-02.EPS

ABSOLUTE MAXIMUM RATINGS

| Symbol | Parameter | Value | Unit | |
|------------|-------------------------------|--------------------|--------------------------|--------------------|
| V_{CC} | Supply Voltage | ± 22 | V | |
| V_{id} | Differential Input Voltage | (Note 1) | V | |
| V_i | Input Voltage | (Note 1) | V | |
| | Output Short Circuit Duration | Indefinite | s | |
| T_{oper} | Operating Temperature Range | MC33174 MC35174 | -40 to 105 -55 to 125 | $^{\circ}\text{C}$ |
| T_j | Junction Temperature | 150 | $^{\circ}\text{C}$ | |
| T_{stg} | Storage Temperature | -65 to 150 | $^{\circ}\text{C}$ | |

Note 1: Either or both input voltages must not exceed the magnitude of V_{CC} .

33174-03.TBL

OPERATING CONDITIONS

| Symbol | Parameter | Value | Unit |
|----------|----------------------|---------------------|------|
| V_{CC} | Supply Voltage Range | ± 2 to ± 22 | V |

33174-03.TBL

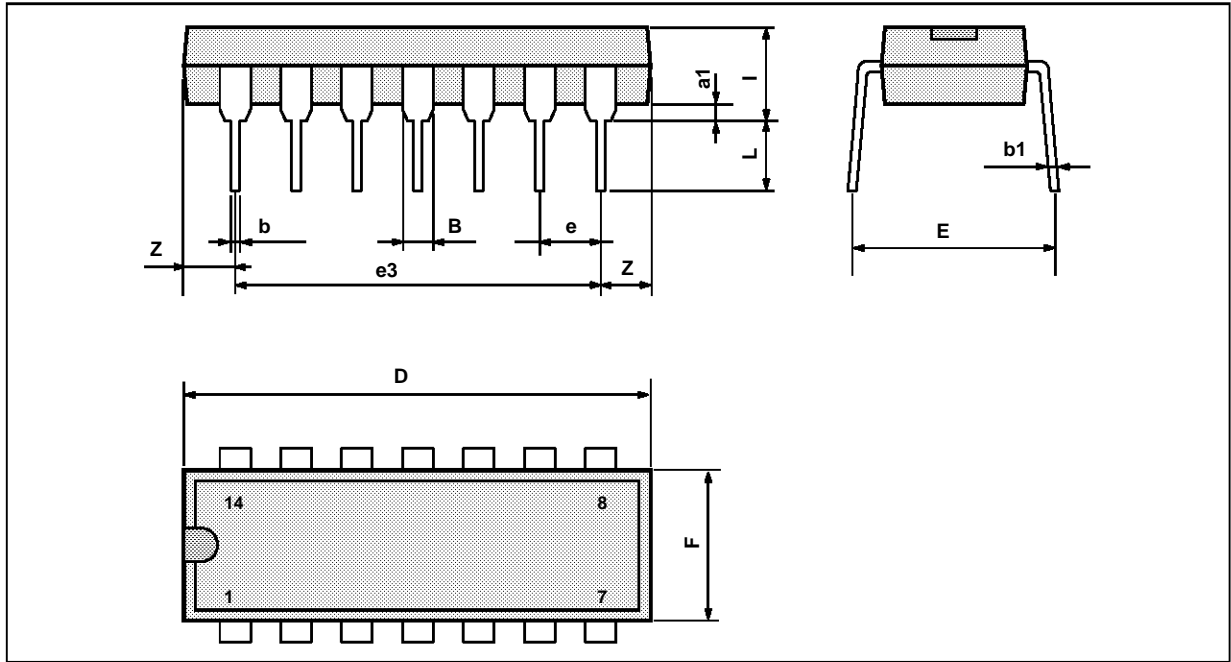
ELECTRICAL CHARACTERISTICS
 $V_{CC}^+ = +15V$, $V_{CC}^- = -15V$, R_L connected to Ground, $T_{amb} = 25^\circ C$ (unless otherwise specified)

| Symbol | Parameter | Min. | Typ. | Max. | Unit |
|-----------------|------------------------------------------------------------------------------------------------------------------------------------------------------------------------------------------------------------------------------------------------------|---------------------|-------------|------------------------|------------------------|
| V_{io} | Input Offset Voltage $V_{CC}^+ = +15V$, $V_{CC}^- = -15V$, $V_{ic} = 0V$ $V_{CC}^+ = 5V$, $V_{CC}^- = 0V$, $V_{ic} = 0V$, $V_o = 1.4V$ $V_{CC}^+ = +15V$, $V_{CC}^- = -15V$, $V_{ic} = 0V$, $T_{min.} \leq T_{amb} \leq T_{max.}$ | | 1 1 | 4.5 5 6.5 | mV |
| DV_{io} | Input Offset Voltage Drift | | 10 | | $\mu V/^\circ C$ |
| I_{io} | Input Offset Current ($V_{ic} = 0V$) $T_{min.} \leq T_{amb} \leq T_{max.}$ | | 5 | 20 40 | nA |
| I_{ib} | Input Bias Current ($V_{ic} = 0V$) $T_{min.} \leq T_{amb} \leq T_{max.}$ | | 20 | 100 200 | nA |
| A_{vd} | Large Signal Voltage Gain ($R_L = 10k\Omega$, $V_o = \pm 10V$) $T_{min.} \leq T_{amb} \leq T_{max.}$ | 50 25 | 100 | | V/mV |
| V_{OH} | High Level Output Voltage $V_{CC}^+ = 5V$, $V_{CC}^- = 0V$, $R_L = 10k\Omega$ $V_{CC}^+ = +15V$, $V_{CC}^- = -15V$, $R_L = 10k\Omega$ $V_{CC}^+ = +15V$, $V_{CC}^- = -15V$, $R_L = 10k\Omega$, $T_{min.} \leq T_{amb} \leq T_{max.}$ | 3.5 13.6 13.3 | 4.2 14.2 | | V |
| V_{OL} | Low Level Output Voltage $V_{CC}^+ = 5V$, $V_{CC}^- = 0V$, $R_L = 10k\Omega$ $V_{CC}^+ = +15V$, $V_{CC}^- = -15V$, $R_L = 10k\Omega$ $V_{CC}^+ = +15V$, $V_{CC}^- = -15V$, $R_L = 10k\Omega$, $T_{min.} \leq T_{amb} \leq T_{max.}$ | | 0.1 -14 | 0.15 -13.6 -13.3 | V |
| I_{sc} | Output Short Circuit Current ($V_{id} = \pm 1V$, $V_o = 0V$) Source Sink | 3 15 | 6 27 | | mA |
| V_{icm} | Input Common Mode Voltage Range $T_{min.} \leq T_{amb} \leq T_{max.}$ | | | | V |
| CMR | Common Mode Rejection Ratio ($V_i = V_{icm min.}$) | 80 | 100 | | dB |
| SVR | Supply Voltage Rejection Ratio ($V_{CC} = \pm 5$ to $\pm 15V$) | 80 | 100 | | dB |
| I_{cc} | Supply Current (per amplifier) $V_{CC}^+ = 5V$, $V_{CC}^- = 0V$, no load $V_{CC}^+ = +15V$, $V_{CC}^- = -15V$, no load $V_{CC}^+ = +15V$, $V_{CC}^- = -15V$, no load, $T_{min.} \leq T_{amb} \leq T_{max.}$ | | 200 220 | 250 250 300 | μA |
| SR | Slew Rate ($V_i = \pm 10V$, $R_L = 10k\Omega$, $C_L = 100pF$) | 1.6 | 2 | | V/ μs |
| GBP | Gain Bandwidth Product ($R_L = 10k\Omega$, $C_L = 100pF$, $f = 100kHz$) | 1.4 | 2.1 | | MHz |
| ϕ_m | Phase Margin ($R_L = 10k\Omega$, $C_L = 100pF$) | | 45 | | Degrees |
| e_n | Equivalent Input Noise Voltage ($f = 1kHz$) | | 29 | | $\frac{nV}{\sqrt{Hz}}$ |
| THD | Total Harmonic Distortion | | 0.05 | | % |
| V_{O1}/V_{O2} | Channel Separation | | 120 | | dB |

33174-04.TBL

MC33174 - 35174

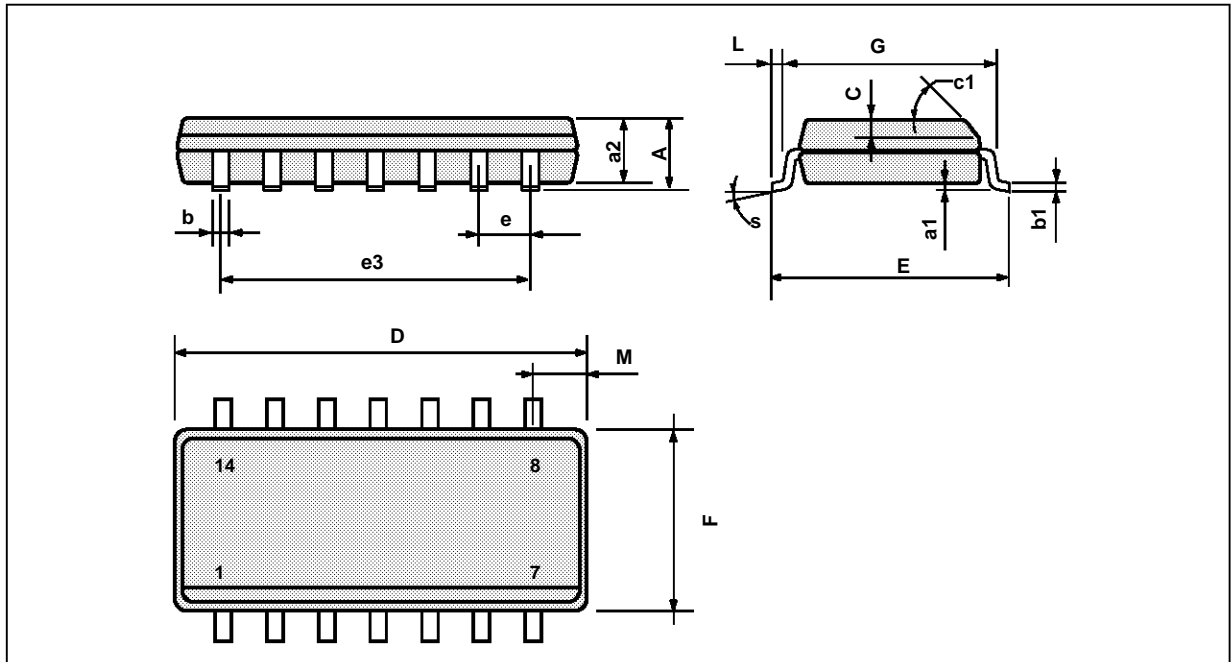
PACKAGE MECHANICAL DATA 14 PINS - PLASTIC DIP



| Dimensions | Millimeters | | | Inches | | |
|------------|-------------|-------|------|--------|-------|-------|
| | Min. | Typ. | Max. | Min. | Typ. | Max. |
| a1 | 0.51 | | | 0.020 | | |
| B | 1.39 | | 1.65 | 0.055 | | 0.065 |
| b | | 0.5 | | | 0.020 | |
| b1 | | 0.25 | | | 0.010 | |
| D | | | 20 | | | 0.787 |
| E | | 8.5 | | | 0.335 | |
| e | | 2.54 | | | 0.100 | |
| e3 | | 15.24 | | | 0.600 | |
| F | | | 7.1 | | | 0.280 |
| i | | | 5.1 | | | 0.201 |
| L | | 3.3 | | | 0.130 | |
| Z | 1.27 | | 2.54 | 0.050 | | 0.100 |

DIP14.TBL

PACKAGE MECHANICAL DATA
 14 PINS - PLASTIC MICROPACKAGE (SO)



PM-DIP14.EPS

| Dimensions | Millimeters | | | Inches | | |
|------------|-------------|------|------|--------|-------|-------|
| | Min. | Typ. | Max. | Min. | Typ. | Max. |
| A | | | 1.75 | | | 0.069 |
| a1 | 0.1 | | 0.2 | 0.004 | | 0.008 |
| a2 | | | 1.6 | | | 0.063 |
| b | 0.35 | | 0.46 | 0.014 | | 0.018 |
| b1 | 0.19 | | 0.25 | 0.007 | | 0.010 |
| C | | 0.5 | | | 0.020 | |
| c1 | 45° (typ.) | | | | | |
| D | 8.55 | | 8.75 | 0.336 | | 0.334 |
| E | 5.8 | | 6.2 | 0.228 | | 0.244 |
| e | | 1.27 | | | 0.050 | |
| e3 | | 7.62 | | | 0.300 | |
| F | 3.8 | | 4.0 | 0.150 | | 0.157 |
| G | 4.6 | | 5.3 | 0.181 | | 0.208 |
| L | 0.5 | | 1.27 | 0.020 | | 0.050 |
| M | | | 0.68 | | | 0.027 |
| S | 8° (max.) | | | | | |

SO14.TBL

Information furnished is believed to be accurate and reliable. However, SGS-THOMSON Microelectronics assumes no responsibility for the consequences of use of such information nor for any infringement of patents or other rights of third parties which may result from its use. No licence is granted by implication or otherwise under any patent or patent rights of SGS-THOMSON Microelectronics. Specifications mentioned in this publication are subject to change without notice. This publication supersedes and replaces all information previously supplied. SGS-THOMSON Microelectronics products are not authorized for use as critical components in life support devices or systems without express written approval of SGS-THOMSON Microelectronics.

© 1995 SGS-THOMSON Microelectronics - All Rights Reserved

SGS-THOMSON Microelectronics GROUP OF COMPANIES

Australia - Brazil - France - Germany - Hong Kong - Italy - Japan - Korea - Malaysia - Malta - Morocco - The Netherlands
 Singapore - Spain - Sweden - Switzerland - Taiwan - Thailand - United Kingdom - U.S.A.

ORDER CODE :