

GERMANIUM SMALL SIGNAL TRANSISTORS

PRO ELECTRON TYPES

Type	Polarity	V_{CB0} V Max	V_{EB0} V Max	V_{CE} V Max		I_{CBO}		h_{FE}		$@I_C$ mA	Cob pf Max	fab MHZ Min	Pack Outline	Power Dissipation @25°C MW
						@ V_{CB} V	μA Max	Min	Max					
AC107	P	15						35-	300 ¹				TO-1	80
AC116	P	30	12	18		6	8	50-140	20		21 ²		NS257	145
AC117	P	32	10	18		6	18	40-	150				NS257	260
AC121-IV	P	20	10	20				30-60	100			1.5 ²	TO-1	900
AC121-V	P	20	10	20				50-100	100			1.5 ²	TO-1	900
AC121-VI	P	20	10	20				75-150	100			1.5 ²	TO-1	900
AC121-VII	P	20	10	20				125-250	100			1.5 ²	TO-1	900
AC122	P	30	18	18		6	8	40-200	2 ¹		21 ²		TO-1	130
AC122/30	P	45	12	32		6	8	40-200	2 ¹		21 ²		TO-1	130
AC123	P	45	12	32		6	8	50-140	20		21 ²		NS257	145
AC124	P	45	10	32		6	18	40-170	150				NS257	260
AC125	P	32	10	12		10	10	50-	2		50	1.3	TO-1	500
AC126	P	32	10	12		10	10	65-	2		50	1.7	TO-1	500
AC127	N	32	10	12				50-	500		70 ²	2.5	TO-1	340
AC128	P	32	10	16		10	10	55-175	50		100	1.0	TO-1	1,000
AC128K	P	32	10	16		10	10	55-175	50		100	1.0	NS257	1,000
AC130	N	20										2.0	TO-1	
AC131	P	30	10	18		6	18	40-	150				TO-1	212
AC132	P	32	10	12		0.5	10	135 ² -	20		40 ²	1.3	TO-1	500
AC138	P	32	10	20		10	15	30-	5 ¹				TO-1	720
AC139	P	32	10	20		10	15	40-160	400				TO-1	720
AC141	N	32	10	18		10	35	40-160	400				TO-1	720
AC142	P	32	10	20		10	15	40-160	400				TO-1	720
AC142K	P	32	10	20		10	15	40-160	400				NS257	860
AC151	P	32	10	2Y		10	10	30 ¹ -	2		27 ²	1.5 ²	TO-1	900
AC152	P	32	10	2Y		0.5	10	30-150	100		40	1.5 ²	TO-1	900
AC153	P	32	10	18		10	10	50-250	300		100	1.0	TO-1	1,000
AC153K	P	32	10	18		10	10	50-250	300		100	1.0	NS257	1,000
AC162	P	32	10	2Y		10	10	100 ²	50		40	1.3	TO-1	900
AC163	P	32	10	2Y		10	10	65-	2		40	1.7	TO-1	900
AC173	P	32	10	2Y				50-	2 ¹				TO-1	200
AC176	N	32	10	18		10	35	50-250	300		100 ²	1.0	TO-1	700
AC178	P	20	10	15		6	35	60-	150				NS257	180
AC179	N	20	10	15		6	10 ²	60-	150				NS257	180
AC180	P	32	20	16				50-250	600			2.5 ²	TO-1	600
AC180K	P	32	20	16				50-250	600			2.5 ²	NS257	2,500
AC181	N	32	20	16				50-250	600			4.5 ²	TO-1	600
AC181K	N	32	20	16				50-250	600			4.5 ²	NS257	2,500
AC182	P	32	20	18				50-	1 ¹			4.0 ²	TO-1	200
AC183	N	32	20	16				50-	2 ¹			4.0 ²	TO-1	250
AC184	P	32	20	16				50-250	300			2.5 ²	TO-1	600
AC185	N	32	20	16				50-250	300			2.5 ²	TO-1	600
AC187	N	25	10	15		10	35	100-500	300		180	1.0	TO-1	1,000
AC187K	N	25	10	15		10	35	100-500	300		180	1.0	NS257	1,000
AC188	P	25	10	15		10	15	100-500	300		110	1.0	TO-1	1,000
AC188K	P	25	10	15		10	15	100-500	300		100	1.0	NS257	1,000
AC193	P	32	10	15		10	15	90-400	400		40 ²	3.0 ²	TO-1	220
AC193K	P	32	10	15		10	15	90-400	400		40 ²	3.0 ²	TO-1	260
AC194	N	32	10	15		10	35	90-400	400		80 ²	5.0 ²	TO-1	220
AC194K	N	32	10	15		10	35	90-400	400		80 ²	5.0 ²	TO-1	260
ACY11	P	32	16	30		5	12	38-	10		35	0.4	TO-1	150
ACY14	P	32	16	30		5	12	54-	10		35	0.4	TO-1	150
ACY17		70	12	32		6	10	50-150	300		40	1.0	TO-5	200
ACY18		50	12	30		6	10	40-120	300		40	1.0	TO-5	200
ACY19		50	12	30		6	10	80-250	300		40	1.3	TO-5	200
ACY20		40	12	20		6	10	50-145	50		40	1.0	TO-5	200
ACY21		40	12	20		6	10	90-250	50		40	1.3	TO-5	200
ACY22		20	12	15		6	10	30-300	300		40	1.0	TO-5	200
ACY23		32	16	30				50-	1 ¹			0.5	TO-1	900
ACY27	P	40	30	20		30	12	20-55	1 ¹		40	1.0 ²	TO-1	200
ACY28	P	40	30	15		30	12	45-150	1 ¹		40	1.0 ²	TO-1	200
ACY29	P	40	30	15		30	12	45-150	1 ¹		40	1.0 ²	TO-1	200
ACY30	P	40	40	20		30	12	60-200	1 ¹		40	1.0 ²	TO-1	200
ACY31	P	40	20			12	5	35-70	1 ¹		40	1.0 ²	TO-1	200
ACY32	P	32	16	30		10	10	50-150	1 ¹		27 ²	0.5	TO-1	900

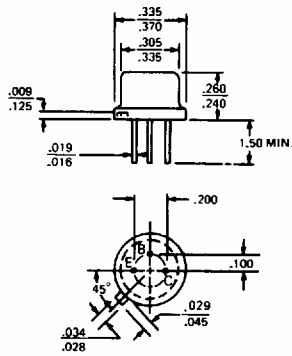
¹hfe

²typical

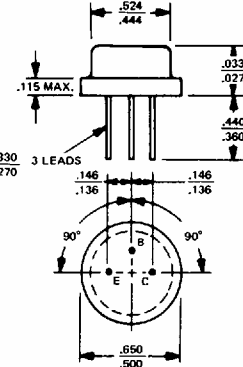
GERMANIUM POWER TRANSISTORS

CASE OUTLINE DRAWINGS & DIMENSIONS

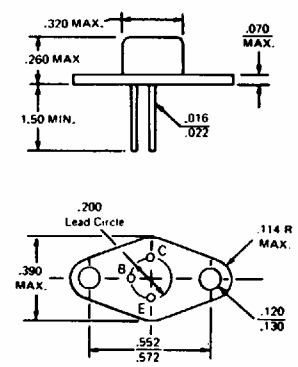
T0-5



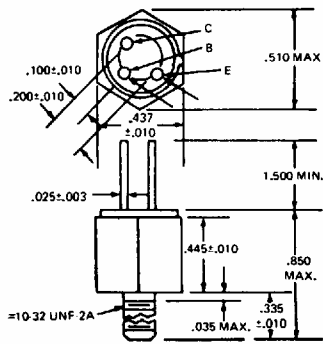
T0-8



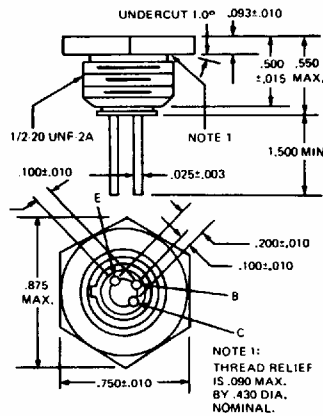
T0-37



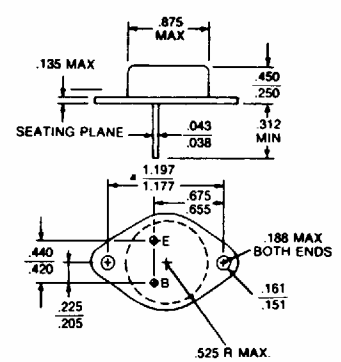
MT-27



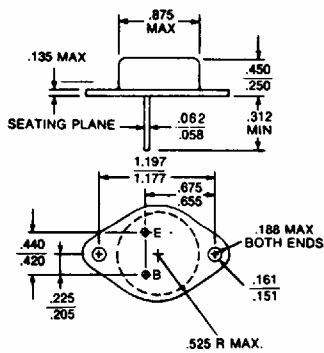
MT-28



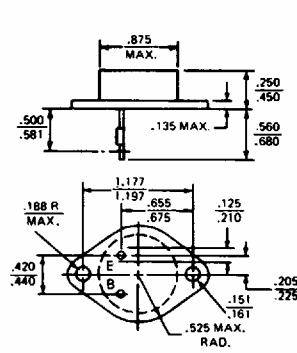
T0-3



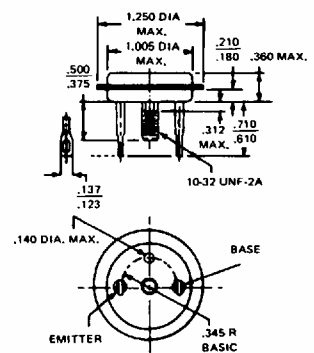
MODIFIED T0-3
(60 mil pins)



T0-41



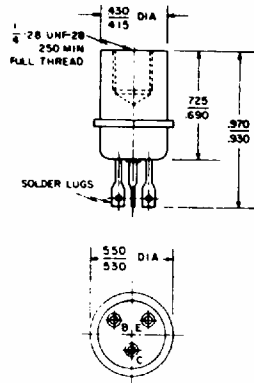
T0-36



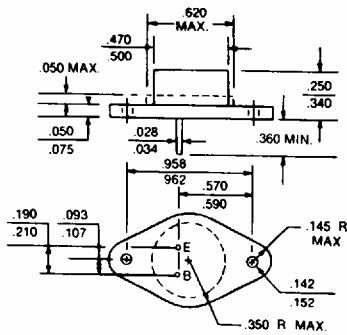
GERMANIUM POWER TRANSISTORS

CASE OUTLINE DRAWINGS & DIMENSIONS

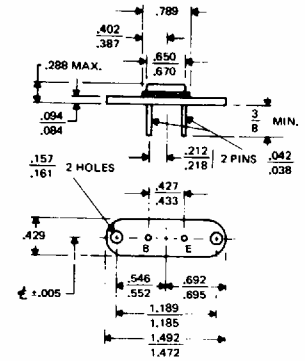
TO-13



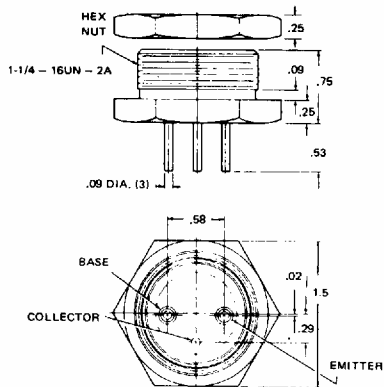
TO-66



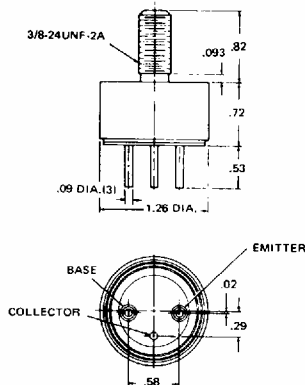
MS-7



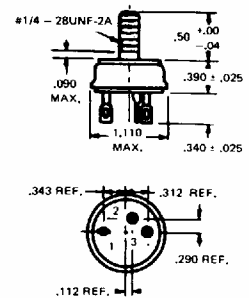
MT-22



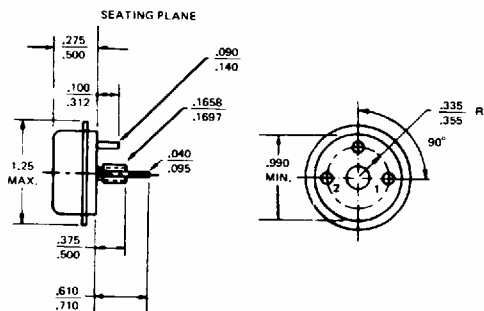
MT-23



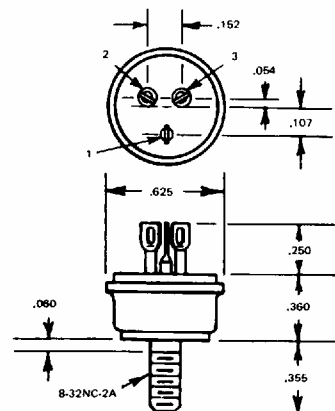
MT-7



TO-68



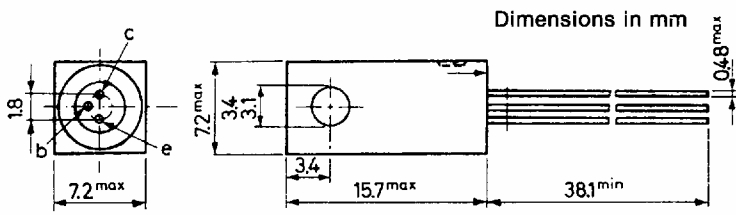
MT-36



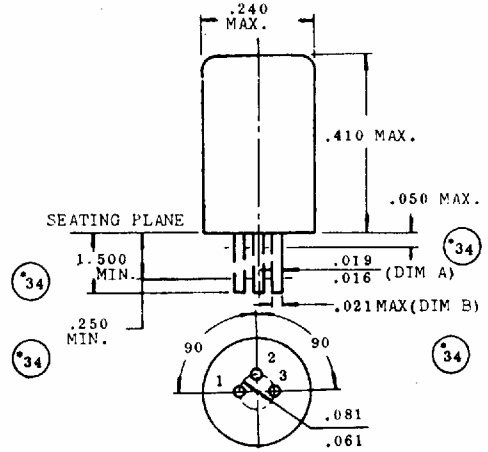
GERMANIUM POWER TRANSISTORS

CASE OUTLINE DRAWINGS & DIMENSIONS

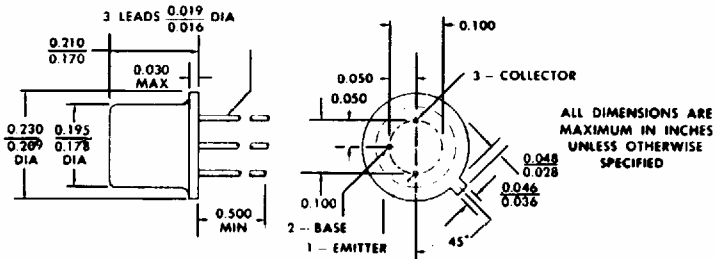
NS257



TO-1



TO-18



THE COLLECTOR IS ELECTRICAL CONTACT WITH THE CASE.

ALL JEDEC TO-18 DIMENSIONS AND NOTES ARE APPLICABLE.



GERMANIUM POWER DEVICES CORP.

300 Brickstone Square · York Street · P.O. Box 3065
Shawsheen Village Station · Andover, Massachusetts 01810
Telephone (508) 475-5982 · FAX (508) 470-1512

26

Printed in U.S.A.

This datasheet has been downloaded from:

www.DatasheetCatalog.com

Datasheets for electronic components.



LittleDiode supplies new, hard to find or obsolete electronic components and semiconductors all over the world.

With over two million different components listed you are sure to find the part you need.

Feel free to visit us today at our online store:

LittleDiode.com

Looking forward to providing you with the best possible service.