

SLA1012

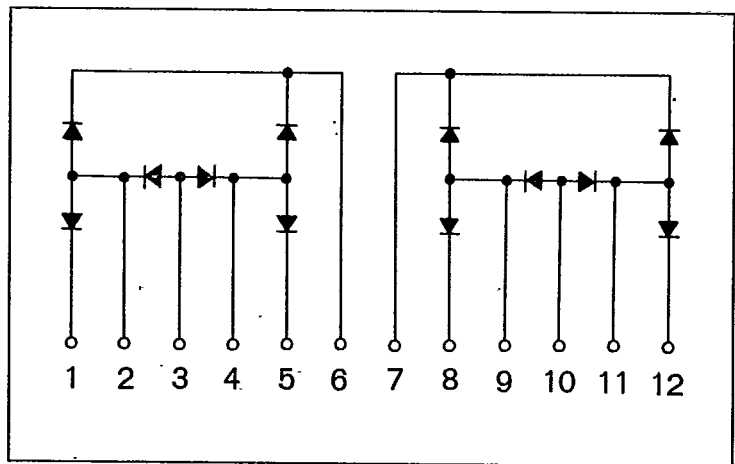
Maximum Ratings (Ta=25°C)

Parameter	Symbol	Conditions	Rating	Unit
Forward Current	I_o	Ta=25°C, All Elements Operation (Without Heatsink)	0.4	A
Forward Current	I_o	Tc=25°C, All Elements Operation	2	A
Peak Surge Forward Current	I_{FSM}	Pw ≤ 1ms, Single Pulse	8	A
Reverse Voltage	V_R		120	V
Collector Power Dissipation	P_D	Ta=25°C, All Elements Operation (Without Heatsink)	5	W
Collector Power Dissipation	P_C	Tc=25°C, All Elements Operation	25	W
Isolation Voltage	V_{iso}	Between Fin and Lead Pin, AC	1000	Vrms
Storage Temp., Operating Junction Temp.	Tstg, Tj		-40 ~ +150	°C
Thermal Resistance	θ_{j-c}		5	°C/W

Electrical Characteristics (Ta=25°C) (Single Circuit)

Parameter	Symbol	Conditions	Rating			Unit
			min	typ	max	
Reverse Voltage	V_R	$I_R = 10 \mu A$	120			V
Forward Voltage	V_F	$I_F = 1A$			1.2	V
Reverse Current	I_R	$V_R = 120V$			10	μA
Reverse Recovery Time	t_{rr}	$I_F = \pm 100mA$		100		ns

Equivalent Circuits

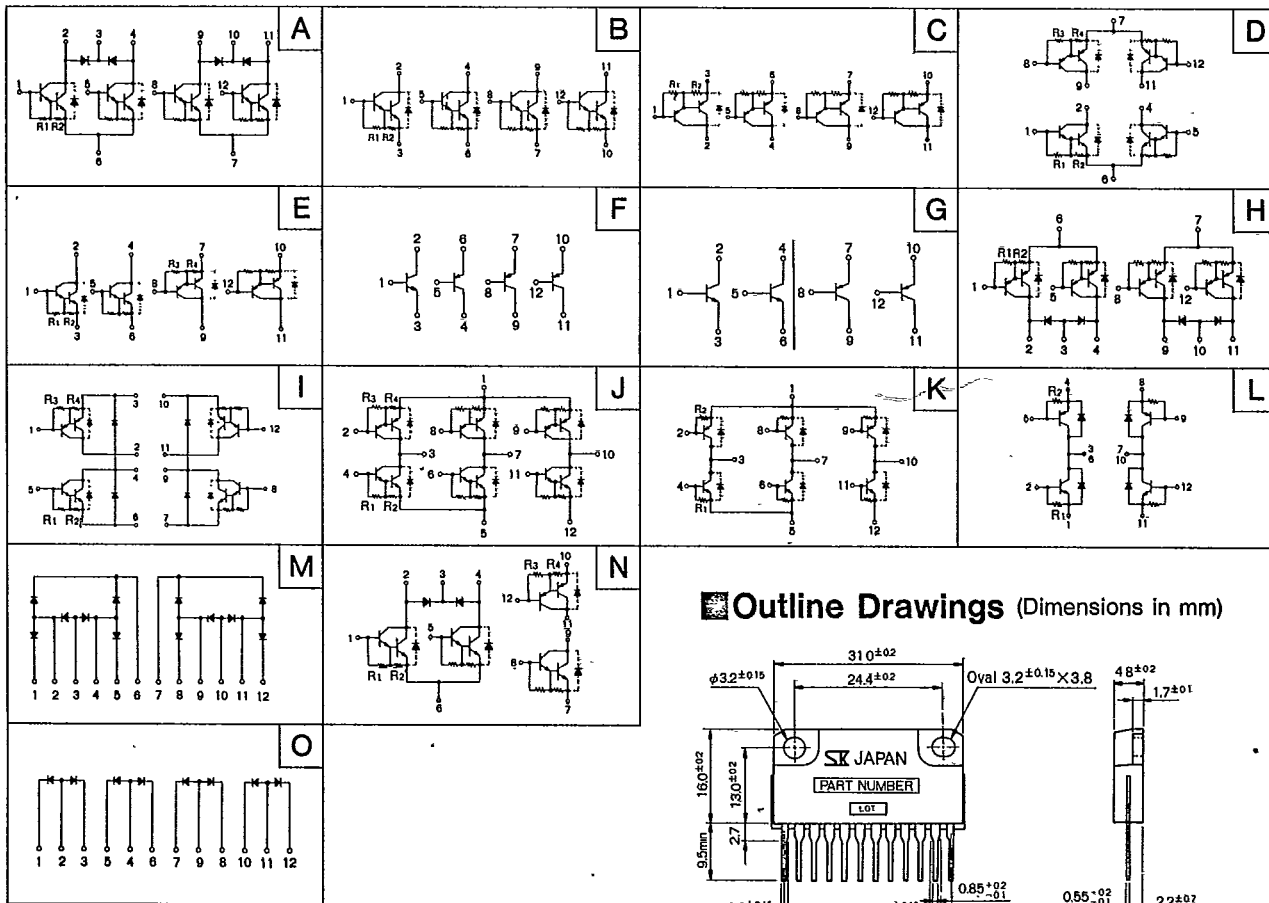


SLA Series/Table of Major Characteristics and Applications

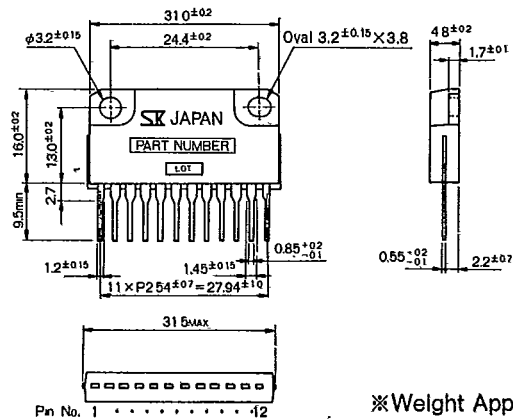
Type No.	V _{CEO} (V)	I _c (I _{CP}) (A)	h _{FE} min	Equiv. Circuit	Applications
SLA4020	60	4 (6)	2000	C	Printer Head
SLA4030	100	4 (6)	2000	B	HDD Motor
SLA4060	120	5 (8)	2000	B	Printer, ECR
SLA4070	100	5 (8)	1000	C	Printer Head
SLA4031	120	4 (6)	2000	A	Printer, ECR, HDD Head, Motor for Electronic Blackboard
SLA4061	120	5 (8)	2000		
SLA4071	100	5 (8)	1000	H	Motor for Printer
SLA4310	60	4 (6)	40	G	HDD Head
SLA4312	60	4 (6)	40	F	Motor for Electronic Typewriter
SLA4340	60	4 (6)	2000	D	Motor for Printer, HDD Head, Motor for PPC
SLA4342	60	4 (6)	2000	E	HDD Head
SLA4390	100	5 (8)	1000	D	Motor for Printer, HDD Head, Motor for PPC
SLA4391	100	5 (8)	1000	I	Motor for Printer
SLA4392	100	5 (8)	1000	N	ECR, Printer
SLA6010	60	4 (6)	2000	J	HDD, PCC, 3-Phase Brushless Motor
SLA6020	100	5 (8)	1000		
SLA6030	35	4 (6)	70		
SLA8001	60	12	50	L	DC Motor, Actuator
SLA1008	V _R 120	I _o 0.7 (I _{FSM} 8)	—	O	Printer Head
SLA1012	V _R 120	I _o 0.4 (I _{FSM} 8)	—	M	Motor for Printer

Requests for development of new types are welcomed.

Equivalent Circuits



Outline Drawings (Dimensions in mm)



※Weight Approx. 10g