

DS1488 Quad Line Driver

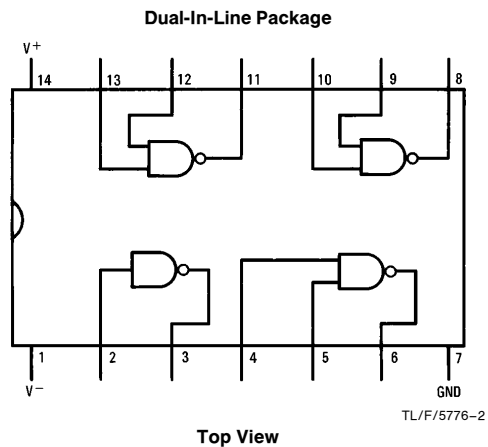
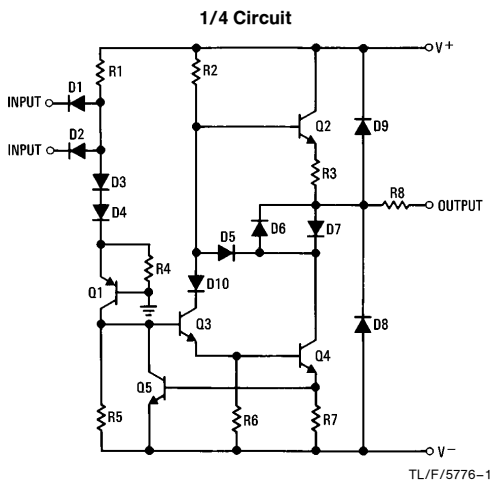
General Description

The DS1488 is a quad line driver which converts standard TTL input logic levels through one stage of inversion to output levels which meet EIA Standard RS-232D and CCITT Recommendation V.24.

Features

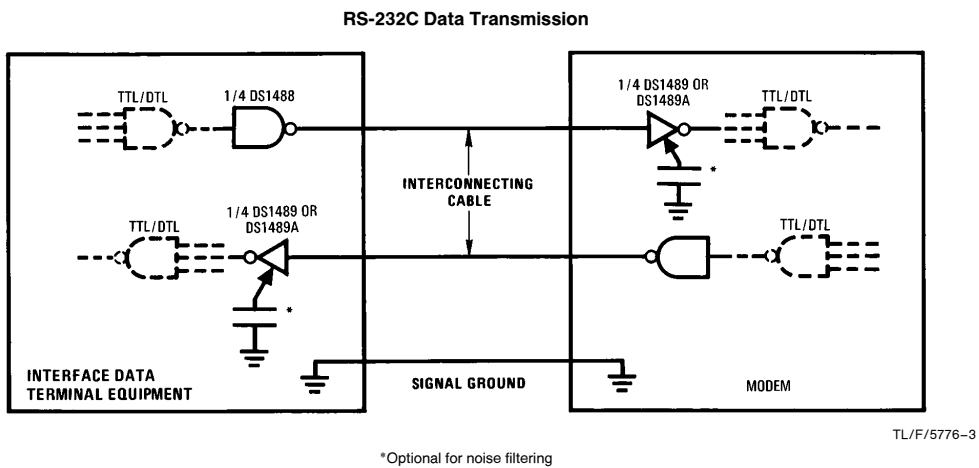
- Current limited output ± 10 mA typ
- Power-off source impedance 300Ω min
- Simple slew rate control with external capacitor
- Flexible operating supply range
- Inputs are TTL/LS compatible

Schematic and Connection Diagrams



Order Number DS1488J, DS1488M or DS1488N
See NS Package Number J14A, M14A or N14A

Typical Applications



*Optional for noise filtering

Absolute Maximum Ratings (Note 1)

If Military/Aerospace specified devices are required, please contact the National Semiconductor Sales Office/Distributors for availability and specifications.

Supply Voltage	
V ⁺	+15V
V ⁻	-15V
Input Voltage (V _{IN})	-15V ≤ V _{IN} ≤ 7.0V
Output Voltage	±15V
Operating Temperature Range	0°C to +75°C

Storage Temperature Range	-65°C to +150°C
Maximum Power Dissipation* at 25°C	
Cavity Package	1364 mW
Molded DIP Package	1280 mW
SO Package	974 mW
Lead Temperature (Soldering, 4 sec.)	260°C
*Derate cavity package 9.1 mW/°C above 25°C; derate molded DIP package 10.2 mW/°C above 25°C; derate SO package 7.8 mW/°C above 25°C.	

Electrical Characteristics (Notes 2 and 3) V_{CC+} = 9V, V_{CC-} = -9V unless otherwise specified

Symbol	Parameter	Conditions	Min	Typ	Max	Units
I _{IL}	Logical "0" Input Current	V _{IN} = 0V		-1.0	-1.3	mA
I _{IH}	Logical "1" Input Current	V _{IN} = +5.0V		0.005	10.0	μA
V _{OH}	High Level Output Voltage	R _L = 3.0 kΩ, V _{IN} = 0.8V	V ⁺ = 9.0V, V ⁻ = -9.0V V ⁺ = 13.2V, V ⁻ = -13.2V	6.0 9.0	7.0 10.5	V
V _{OL}	Low Level Output Voltage	R _L = 3.0 kΩ, V _{IN} = 1.9V	V ⁺ = 9.0V, V ⁻ = -9.0V V ⁺ = 13.2V, V ⁻ = -13.2V	-6.0 -9.0	-6.8 -10.5	V
I _{OS} ⁺	High Level Output Short-Circuit Current	V _{OUT} = 0V, V _{IN} = 0.8V	-6.0	-10.0	-12.0	mA
I _{OS} ⁻	Low Level Output Short-Circuit Current	V _{OUT} = 0V, V _{IN} = 1.9V	6.0	10.0	12.0	mA
R _{OUT}	Output Resistance	V ⁺ = V ⁻ = 0V, V _{OUT} = ±2V	300			Ω
I _{CC} ⁺	Positive Supply Current (Output Open)	V _{IN} = 1.9V	V ⁺ = 9.0V, V ⁻ = -9.0V V ⁺ = 12V, V ⁻ = -12V V ⁺ = 15V, V ⁻ = -15V	15.0 19.0 25.0	20.0 25.0 34.0	mA
		V _{IN} = 0.8V	V ⁺ = 9.0V, V ⁻ = -9.0V V ⁺ = 12V, V ⁻ = -12V V ⁺ = 15V, V ⁻ = -15V	4.5 5.5 8.0	6.0 7.0 12.0	mA
I _{CC} ⁻	Negative Supply Current (Output Open)	V _{IN} = 1.9V	V ⁺ = 9.0V, V ⁻ = -9.0V V ⁺ = 12V, V ⁻ = -12V V ⁺ = 15V, V ⁻ = -15V	-13.0 -18.0 -25.0	-17.0 -23.0 -34.0	mA
		V _{IN} = 0.8V	V ⁺ = 9.0V, V ⁻ = -9.0V V ⁺ = 12V, V ⁻ = -12V V ⁺ = 15V, V ⁻ = -15V	-0.001 -0.001 -0.01	-0.015 -0.015 -2.5	mA
P _d	Power Dissipation	V ⁺ = 9.0V, V ⁻ = -9.0V V ⁺ = 12V, V ⁻ = -12V		252 444	333 576	mW

Switching Characteristics (V_{CC} = 9V, V_{EE} = -9V, T_A = 25°C)

Symbol	Parameter	Conditions	Min	Typ	Max	Units
t _{pd1}	Propagation Delay to a Logical "1"	R _L = 3.0 kΩ, C _L = 15 pF, T _A = 25°C		230	350	ns
t _{pd0}	Propagation Delay to a Logical "0"	R _L = 3.0 kΩ, C _L = 15 pF, T _A = 25°C		70	175	ns
t _r	Rise Time	R _L = 3.0 kΩ, C _L = 15 pF, T _A = 25°C		75	100	ns
t _f	Fall Time	R _L = 3.0 kΩ, C _L = 15 pF, T _A = 25°C		40	75	ns

Note 1: "Absolute Maximum Ratings" are those values beyond which the safety of the device cannot be guaranteed. Except for "Operating Temperature Range" they are not meant to imply that the devices should be operated at these limits. The table of "Electrical Characteristics" provides conditions for actual device operation.

Note 2: Unless otherwise specified min/max limits apply across the 0°C to +75°C temperature range for the DS1488.

Note 3: All currents into device pins shown as positive, out of device pins as negative, all voltages referenced to ground unless otherwise noted. All values shown as max or min on absolute value basis.

Applications

By connecting a capacitor to each driver output the slew rate can be controlled utilizing the output current limiting characteristics of the DS1488. For a set slew rate the appropriate capacitor value may be calculated using the following relationship

$$C = I_{SC} (\Delta T / \Delta V)$$

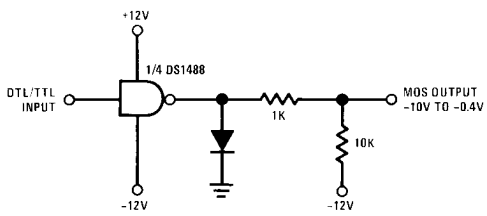
where C is the required capacitor, I_{SC} is the short circuit current value, and $\Delta V / \Delta T$ is the slew rate.

RS-232C specifies that the output slew rate must not exceed 30V per microsecond. Using the worst case output short circuit current of 12 mA in the above equation, calculations result in a required capacitor of 400 pF connected to each output.

See Typical Performance Characteristics.

Typical Applications (Continued)

DTL/TTL-to-MOS Translator



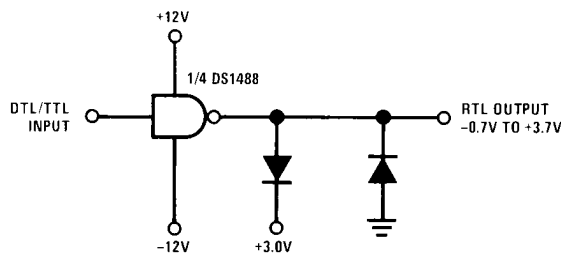
TL/F/5776-4

DTL/TTL-to-HTL Translator



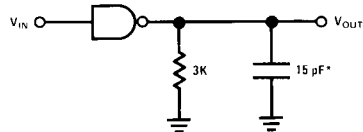
TL/F/5776-5

DTL/TTL-to-RTL Translator



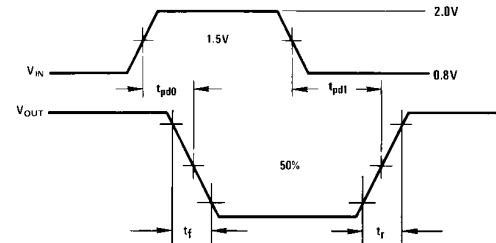
TL/F/5776-6

AC Load Circuit and Switching Time Waveforms



TL/F/5776-7

* C_L includes probe and jig capacitance.



t_r and t_f are measured between 10% and 90% of the output waveform.

TL/F/5776-8

Typical Performance Characteristics $T_A = +25^\circ\text{C}$ unless otherwise noted

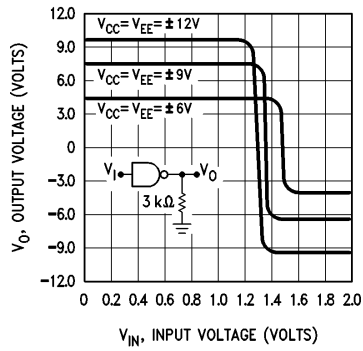


FIGURE 1. Transfer Characteristics vs Power Supply Voltage

TL/F/5776-9

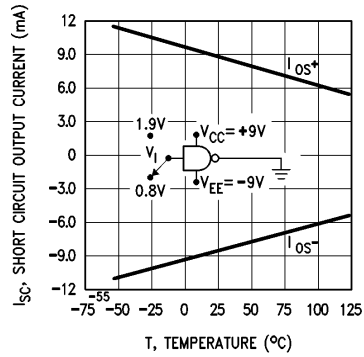


FIGURE 2. Short-Circuit Output Current vs Temperature

TL/F/5776-10

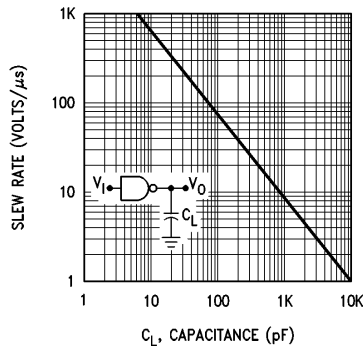


FIGURE 3. Output Slew Rate vs Load Capacitance

TL/F/5776-11

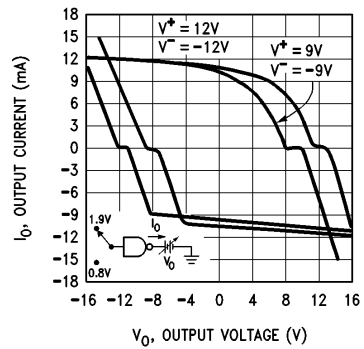
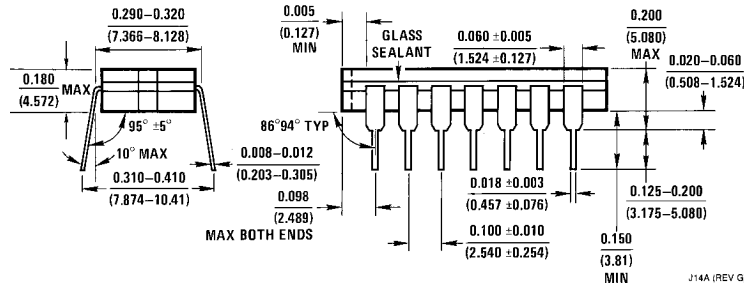
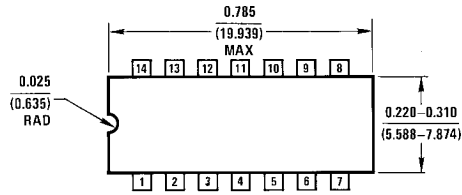


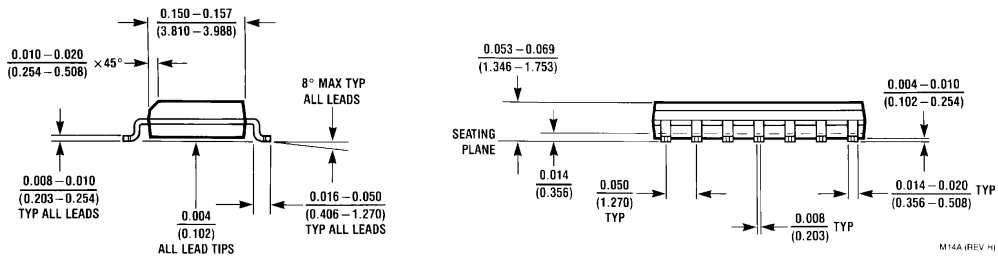
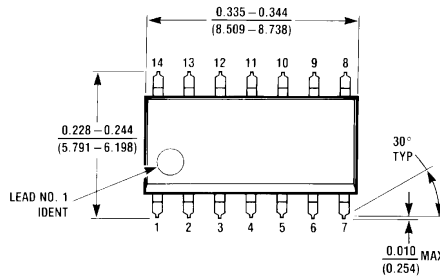
FIGURE 4. Output Voltage and Current-Limiting Characteristics

TL/F/5776-12

Physical Dimensions inches (millimeters)

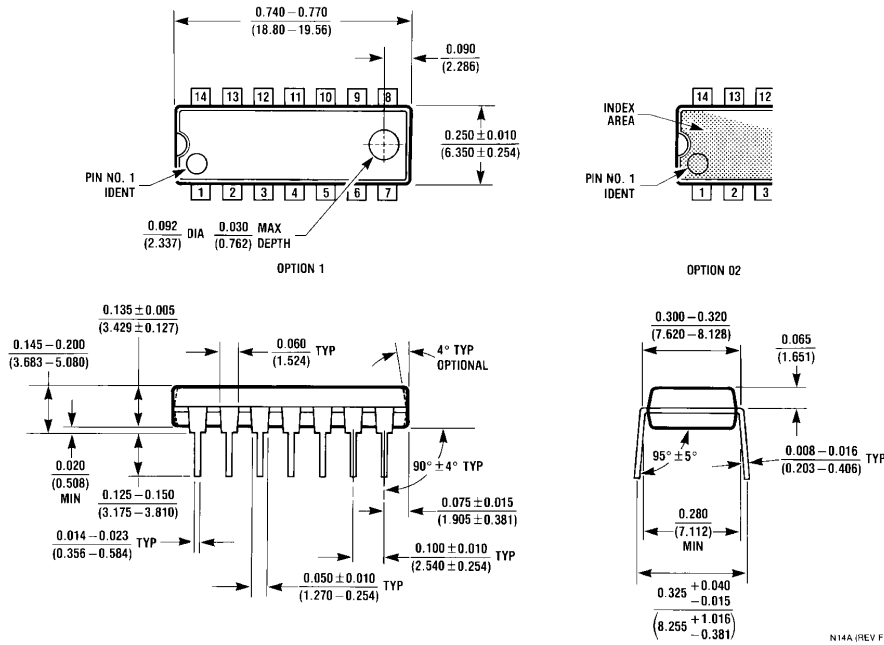


Ceramic Dual-In-Line Package (J)
Order Number DS1488J
NS Package Number J14A



SO Package (M)
Order Number DS1488M
NS Package Number M14A

Physical Dimensions inches (millimeters)



Molded Dual-In-Line Package (N)
Order Number DS1488N
NS Package Number N14A

N14A (REV F)

LIFE SUPPORT POLICY

NATIONAL'S PRODUCTS ARE NOT AUTHORIZED FOR USE AS CRITICAL COMPONENTS IN LIFE SUPPORT DEVICES OR SYSTEMS WITHOUT THE EXPRESS WRITTEN APPROVAL OF THE PRESIDENT OF NATIONAL SEMICONDUCTOR CORPORATION. As used herein:

1. Life support devices or systems are devices or systems which, (a) are intended for surgical implant into the body, or (b) support or sustain life, and whose failure to perform, when properly used in accordance with instructions for use provided in the labeling, can be reasonably expected to result in a significant injury to the user.
2. A critical component is any component of a life support device or system whose failure to perform can be reasonably expected to cause the failure of the life support device or system, or to affect its safety or effectiveness.



National Semiconductor Corporation
 1111 West Bardin Road
 Arlington, TX 76017
 Tel: 1(800) 272-9959
 Fax: 1(800) 737-7018

<http://www.national.com>

National Semiconductor Europe

Fax: +49 (0) 180-530 85 86
 Email: europe.support@nsc.com
 Deutsch Tel: +49 (0) 180-530 85 85
 English Tel: +49 (0) 180-532 78 32
 Français Tel: +49 (0) 180-532 93 58
 Italiano Tel: +49 (0) 180-534 16 80

National Semiconductor Hong Kong Ltd.

19th Floor, Straight Block,
 Ocean Centre, 5 Canton Rd.
 Tsimshatsui, Kowloon
 Hong Kong
 Tel: (852) 2737-1600
 Fax: (852) 2736-9960

National Semiconductor Japan Ltd.

Tel: 81-043-299-2308
 Fax: 81-043-299-2408

National does not assume any responsibility for use of any circuitry described, no circuit patent licenses are implied and National reserves the right at any time without notice to change said circuitry and specifications.

National Semiconductor was acquired by Texas Instruments.

http://www.ti.com/corp/docs/investor_relations/pr_09_23_2011_national_semiconductor.html

This file is the datasheet for the following electronic components:

DS1488 - <http://www.ti.com/product/ds1488?HQS=TI-null-null-dscatalog-df-pf-null-ww>



LittleDiode supplies new, hard to find or obsolete electronic components and semiconductors all over the world.

With over two million different components listed you are sure to find the part you need.

Feel free to visit us today at our online store:

LittleDiode.com

Looking forward to providing you with the best possible service.