

DS16149/DS36149, DS16179/DS36179 Hex MOS Drivers

General Description

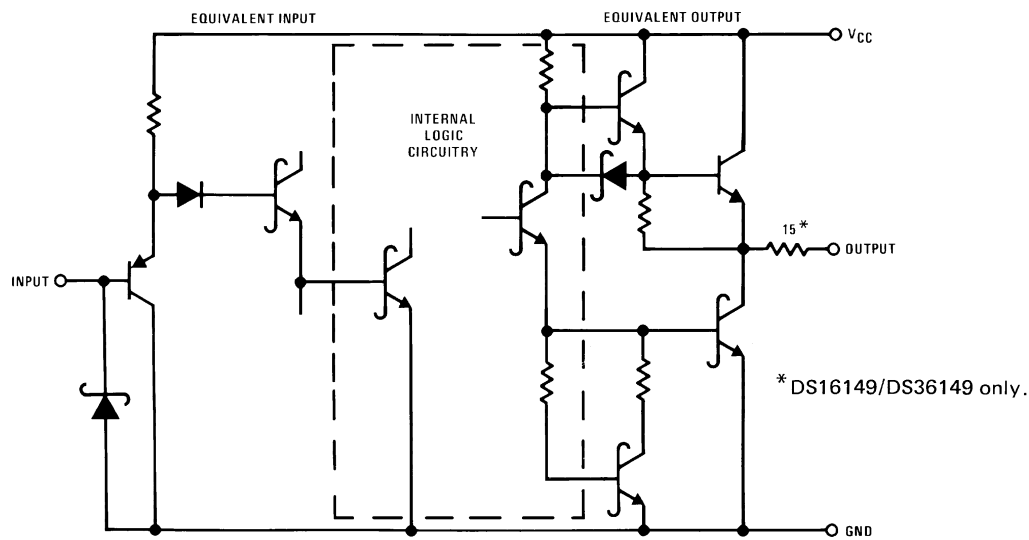
The DS16149/DS36149 and DS16179/DS36179 are Hex MOS drivers with outputs designed to drive large capacitive loads up to 500 pF associated with MOS memory systems. PNP input transistors are employed to reduce input currents allowing the large fan-out to these drivers needed in memory systems. The circuit has Schottky-clamped transistor logic for minimum propagation delay, and a disable control that places the outputs in the logic "1" state (see truth table). This is especially useful in MOS RAM applications where a set of address lines has to be in the logic "1" state during refresh.

The DS16149/DS36149 has a 15 Ω resistor in series with the outputs to dampen transients caused by the fast-switching output. The DS16179/DS36179 has a direct low impedance output for use with or without an external resistor.

Features

- High speed capabilities
 - Typ 9 ns driving 50 pF
 - Typ 29 ns driving 500 pF
- Built-in 15 Ω damping resistor (DS16149/DS36149)
- Same pin-out as DM8096 and DM74366

Schematic Diagram



TL/F/7553-1

Absolute Maximum Ratings (Note 1)

If Military/Aerospace specified devices are required, please contact the National Semiconductor Sales Office/Distributors for availability and specifications.

Supply Voltage	7.0V
Logical "1" Input Voltage	7.0V
Logical "0" Input Voltage	-1.5V
Storage Temperature Range	-65°C to +150°C
Maximum Power Dissipation* at 25°C	
Cavity Package	1371 mW
Molded Package	1280 mW
Lead Temperature (Soldering 10 seconds)	300°C

*Derate cavity package 9.1 mW/°C above 25°C; derate molded package 10.2 mW/°C above 25°C.

Operating Conditions

	Min	Max	Units
Supply Voltage (V_{CC})	4.5	5.5	V
Temperature (T_A)			
DS16149, DS16179	-55	+125	°C
DS36149, DS36179	0	+70	°C

DC Electrical Characteristics (Notes 2 and 3)

Symbol	Parameter	Conditions	Min	Typ	Max	Units	
$V_{IN(1)}$	Logical "1" Input Voltage		2.0			V	
$V_{IN(0)}$	Logical "0" Input Voltage				0.8	V	
$I_{IN(1)}$	Logical "1" Input Current	$V_{CC} = 5.5V, V_{IN} = 5.5V$		0.1	40	μA	
$I_{IN(0)}$	Logical "0" Input Current	$V_{CC} = 5.5V, V_{IN} = 0.5V$		-50	-250	μA	
V_{CLAMP}	Input Clamp Voltage	$V_{CC} = 4.5V, I_{IN} = -18 mA$		-0.75	-1.2	V	
V_{OH}	Logical "1" Output Voltage (No Load)	$V_{CC} = 4.5V, I_{OH} = -10 \mu A$	DS16149/DS16179	3.4	4.3		V
			DS36149/DS36179	3.5	4.3		V
V_{OL}	Logical "0" Output Voltage (No Load)	$V_{CC} = 4.5V, I_{OL} = 10 \mu A$	DS16149/DS16179		0.25	0.4	V
			DS36149/DS36179		0.25	0.35	V
V_{OH}	Logical "1" Output Voltage (With Load)	$V_{CC} = 4.5V, I_{OH} = -1.0 mA$	DS16149	2.4	3.5		V
			DS16179	2.5	3.5		V
			DS36149	2.6	3.5		V
			DS36179	2.7	3.5		V
V_{OL}	Logical "0" Output Voltage (With Load)	$V_{CC} = 4.5V, I_{OL} = 20 mA$	DS16149		0.6	1.1	V
			DS16179		0.4	0.5	V
			DS36149		0.6	1.0	V
			DS36179		0.4	0.5	V
I_{ID}	Logical "1" Drive Current	$V_{CC} = 4.5V, V_{OUT} = 0V, (Note 4)$		-250		mA	
I_{OD}	Logical "0" Drive Current	$V_{CC} = 4.5V, V_{OUT} = 4.5V, (Note 4)$		150		mA	
I_{CC}	Power Supply Current	$V_{CC} = 5.5V$	Disable Inputs = 0V All Other Inputs = 3V		33	60	mA
			All Inputs = 0V	14		20	mA

Switching Characteristics ($V_{CC} = 5V, T_A = 25^\circ C$) (Note 4)

Symbol	Parameter	Conditions	Min	Typ	Max	Units
$t_{S\pm}$	Storage Delay Negative Edge	(Figure 1) $C_L = 50 pF$		4.5	7	ns
		$C_L = 500 pF$		7.5	12	ns
$t_{S\mp}$	Storage Delay Positive Edge	(Figure 1) $C_L = 50 pF$		5	8	ns
		$C_L = 500 pF$		8	13	ns
t_F	Fall Time	(Figure 1) $C_L = 50 pF$		5	8	ns
		$C_L = 500 pF$		22	35	ns

Switching Characteristics ($V_{CC} = 5V, T_A = 25^\circ C$) (Note 4) (Continued)

Symbol	Parameter	Conditions	Min	Typ	Max	Units
t_R	Rise Time	(Figure 1) $C_L = 50 \text{ pF}$		6	9	ns
		$C_L = 500 \text{ pF}$		26	35	ns
t_{LH}	Delay from Disable Input to Logical "1"	$R_L = 2 \text{ k}\Omega$ to Gnd, $C_L = 50 \text{ pF}$, (Figure 2)		15	22	ns
t_{HL}	Delay from Disable Input to Logical "0"	$R_L = 2 \text{ k}\Omega$ to V_{CC} , $C_L = 50 \text{ pF}$, (Figure 3)		11	18	ns

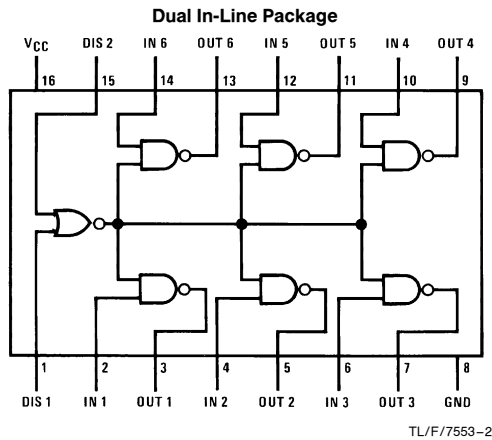
Note 1: "Absolute Maximum Ratings" are those values beyond which the safety of the device cannot be guaranteed. Except for "Operating Temperature Range" they are not meant to imply that the devices should be operated at these limits. The table of "Electrical Characteristics" provides conditions for actual device operation.

Note 2: Unless otherwise specified min/max limits apply across the $-55^\circ C$ to $+125^\circ C$ temperature range for the DS16149 and DS16179 and across the $0^\circ C$ to $+70^\circ C$ range for the DS36149 and DS36179. All typical values are for $T_A = 25^\circ C$ and $V_{CC} = 5V$.

Note 3: All currents into device pins shown as positive, out of device pins as negative, all voltages referenced to ground unless otherwise noted. All values shown as max or min on absolute value basis.

Note 4: When measuring output drive current and switching response for the DS16179 and DS36179 a 15Ω resistor should be placed in series with each output. This resistor is internal to the DS16149/DS36149 and need not be added.

Connection Diagram



Top View

Order Number DS16149J, DS36149J, DS16179J,
DS36179J, DS36149N or DS36179N
See NS Package Number J16A or N16A

Truth Table

Disable Input		Input	Output
DIS 1	DIS2		
0	0	0	1
0	0	1	0
0	1	X	1
1	0	X	1
1	1	X	1

X = Don't care

AC Test Circuits and Switching Time Waveforms

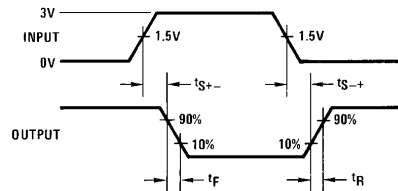
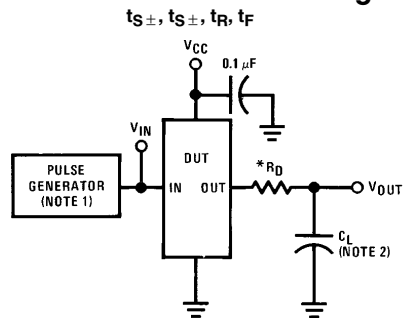
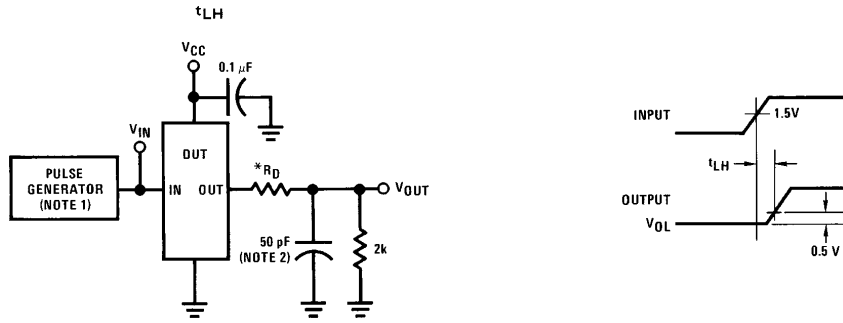


FIGURE 1

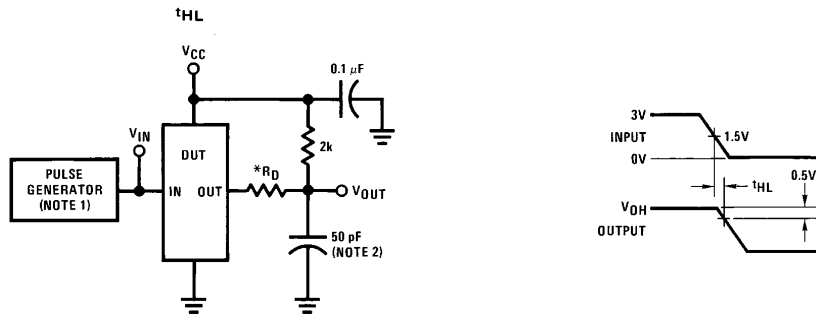
TL/F/7553-3

AC Test Circuits and Switching Time Waveforms (Continued)



TL/F/7553-4

FIGURE 2



TL/F/7553-5

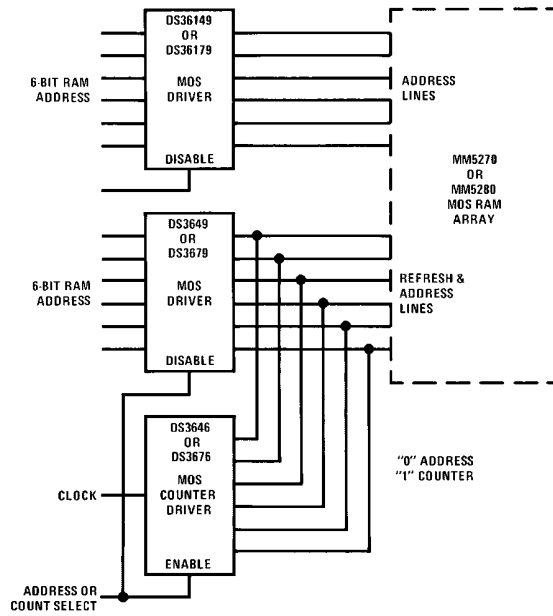
FIGURE 3

*Internal on DS16149 and DS36149

Note 1: The pulse generator has the following characteristics: $Z_{OUT} = 50 \Omega$ and $PRR \leq 1 \text{ MHz}$. Rise and fall times between 10% and 90% points $\leq 5 \text{ ns}$.

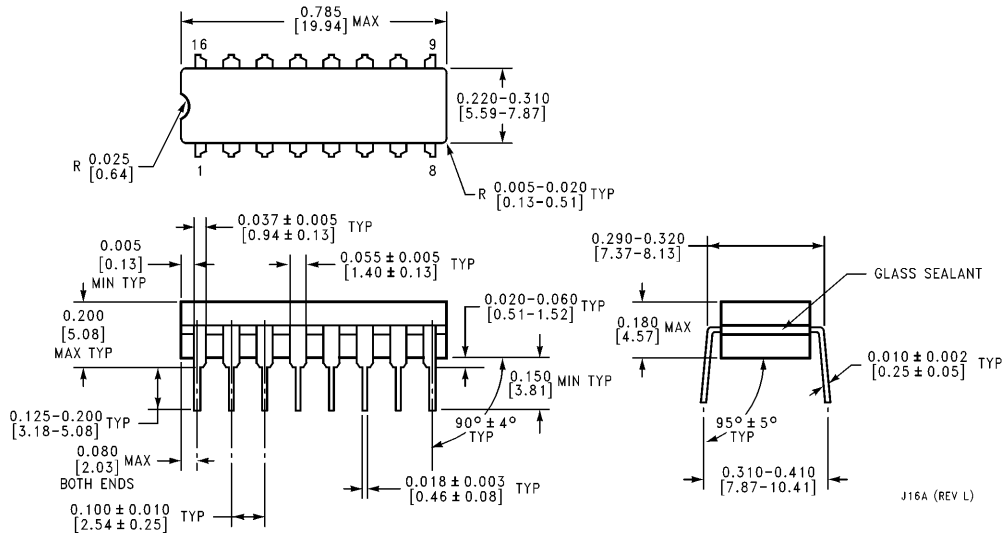
Note 2: C_L includes probe and jig capacitance.

Typical Applications



TL/F/7553-6

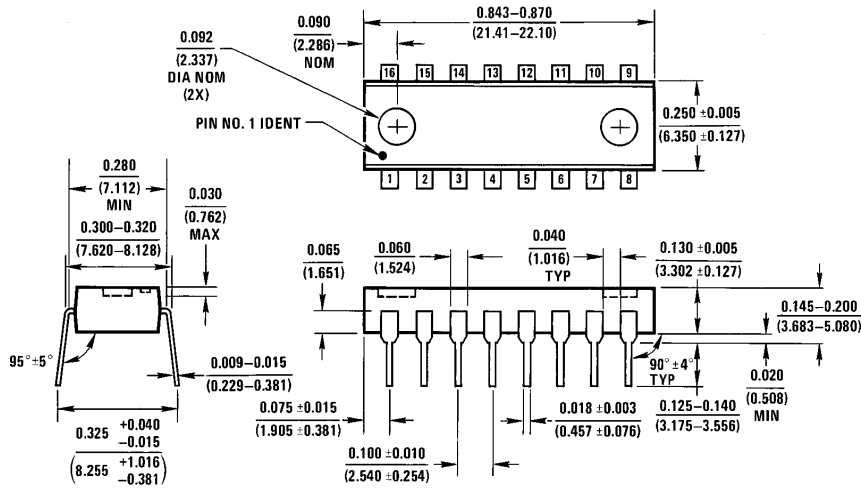
Physical Dimensions inches (millimeters)



Ceramic Dual-In-Line Package (J)
Order Number DS16149J, DS36149J
DS16179J or DS36179J
NS Package Number J16A

J16A (REV L)

Physical Dimensions inches (millimeters) (Continued)



Molded Dual-In-Line Package (N)
Order Number DS36149N, DS36149N
NS Package Number N16A

N16A (REV E)

LIFE SUPPORT POLICY

NATIONAL'S PRODUCTS ARE NOT AUTHORIZED FOR USE AS CRITICAL COMPONENTS IN LIFE SUPPORT DEVICES OR SYSTEMS WITHOUT THE EXPRESS WRITTEN APPROVAL OF THE PRESIDENT OF NATIONAL SEMICONDUCTOR CORPORATION. As used herein:

1. Life support devices or systems are devices or systems which, (a) are intended for surgical implant into the body, or (b) support or sustain life, and whose failure to perform, when properly used in accordance with instructions for use provided in the labeling, can be reasonably expected to result in a significant injury to the user.
2. A critical component is any component of a life support device or system whose failure to perform can be reasonably expected to cause the failure of the life support device or system, or to affect its safety or effectiveness.



National Semiconductor Corporation
 1111 West Bardin Road
 Arlington, TX 76017
 Tel: 1(800) 272-9959
 Fax: 1(800) 737-7018

National Semiconductor Europe
 Fax: (+49) 0-180-530 85 86
 Email: cnjwge@tevm2.nsc.com
 Deutsch Tel: (+49) 0-180-530 85 85
 English Tel: (+49) 0-180-532 78 32
 Français Tel: (+49) 0-180-532 93 58
 Italiano Tel: (+49) 0-180-534 16 80

National Semiconductor Hong Kong Ltd.
 19th Floor, Straight Block,
 Ocean Centre, 5 Canton Rd.
 Tsimshatsui, Kowloon
 Hong Kong
 Tel: (852) 2737-1600
 Fax: (852) 2736-9960

National Semiconductor Japan Ltd.
 Tel: 81-043-299-2309
 Fax: 81-043-299-2408

National does not assume any responsibility for use of any circuitry described, no circuit patent licenses are implied and National reserves the right at any time without notice to change said circuitry and specifications.

National Semiconductor was acquired by Texas Instruments.

http://www.ti.com/corp/docs/investor_relations/pr_09_23_2011_national_semiconductor.html

This file is the datasheet for the following electronic components:

DS36179 - <http://www.ti.com/product/ds36179?HQS=TI-null-null-dscatalog-df-pf-null-ww>

DS16149 - <http://www.ti.com/product/ds16149?HQS=TI-null-null-dscatalog-df-pf-null-ww>

DS16179 - <http://www.ti.com/product/ds16179?HQS=TI-null-null-dscatalog-df-pf-null-ww>

DS36149 - <http://www.ti.com/product/ds36149?HQS=TI-null-null-dscatalog-df-pf-null-ww>



LittleDiode supplies new, hard to find or obsolete electronic components and semiconductors all over the world.

With over two million different components listed you are sure to find the part you need.

Feel free to visit us today at our online store:

LittleDiode.com

Looking forward to providing you with the best possible service.