

# HA11732

T-77-17

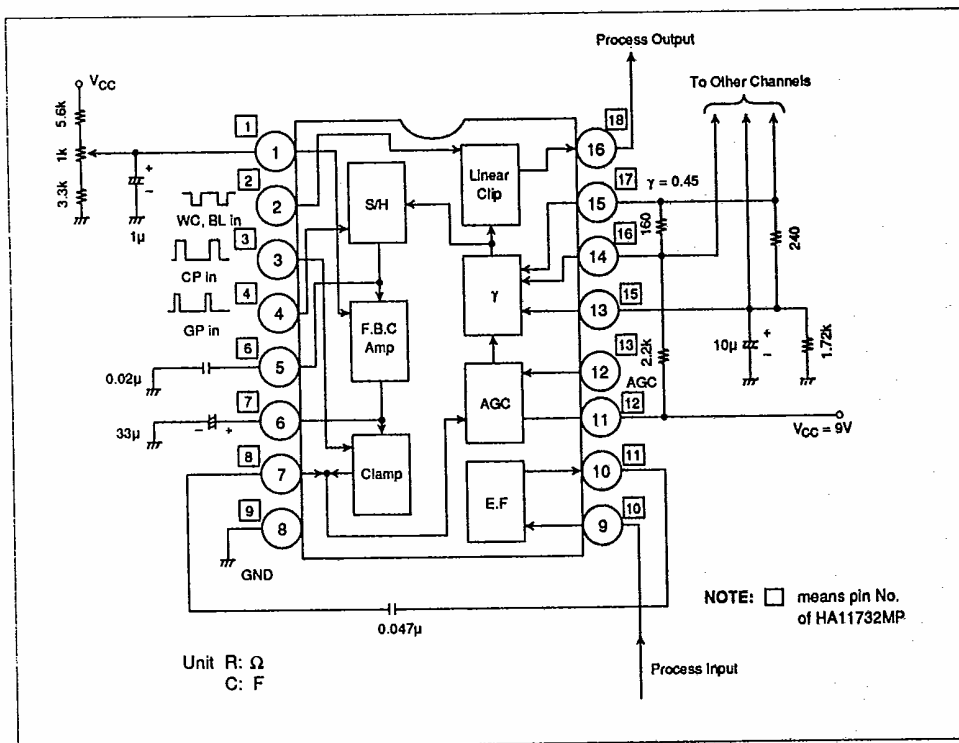
## Processor for Video Cameras

HA11732 provides  $\gamma$  correction for the video signal amplified by the preamp, blanking, white clip and black clip.

### Features

- Applicable in a wide range of systems, including frequency separation type cameras
- Feedback clamp circuitry ensures stable black levels
- $\gamma$  can be adjusted within the range of 0.45 to 1.0 by changing terminal voltage
- High pulse input terminal impedance for superior driving

### Block Diagram



# HA11732

T-77-17

## Absolute Maximum Ratings

Item	Symbol	Rating	Unit
Supply Voltage	$V_{CC}$	12	V
Input Voltage	Pins 1, 2, 3, 4, 12	$V_{IN}$	-0.3 to $V_{CC}+0.3$
	Pins 13, 14, 15		-0.3 to +7
Power Dissipation*	$P_T$	550	mW
Operating Temperature	$T_{opr}$	-20 to +80	°C
Storage Temperature	$T_{stg}$	-40 to +125	°C

\* Value at  $T_a = 70^\circ\text{C}$

## Electrical Characteristics ( $V_{CC} = 9\text{V}$ , $T_a = 25^\circ\text{C}$ )

Item	Symbol	Min	Typ	Max	Unit	Test Conditions
Supply Current	$I_{CC}$	10.7	15.4	22.4	mA	$V_{CC} = 9\text{V}$
Voltage Gain	$G_V$	4.5	6	7.5	dB	$\gamma = 1$ , $V_{AGC} = V_{CC}$ , for rated output voltage
AGC Variable Range	$\Delta G_{AGC}$	6	7	8	dB	$\gamma = 1$ , $V_{AGC} = 0\text{V} \ \& \ V_{CC}$
$\gamma$ Deviation	$\Delta\gamma$	—	—	$\pm 1.5$	%	$\gamma = 0.45$
DC Output Voltage	$E_O(\text{DC})$	3.35	3.5	3.65	V	$V_2 = 0\text{V}$ , $V_{13} = 3.5\text{V}$
Output Impedance	$Z_O$	—	150	320	$\Omega$	
FBC Amplifier Gain	$G_{V3}$	23	28	32	dB	
$\gamma$ Value Variable Range	$\gamma$	0.45	—	1		

## Ordering Information

Type No.	Package
HA11732	DP-16
HA11732MP	MP-18



This datasheet has been downloaded from:

[www.DatasheetCatalog.com](http://www.DatasheetCatalog.com)

Datasheets for electronic components.



LittleDiode supplies new, hard to find or obsolete electronic components and semiconductors all over the world.

With over two million different components listed you are sure to find the part you need.

Feel free to visit us today at our online store:

**[LittleDiode.com](http://LittleDiode.com)**

Looking forward to providing you with the best possible service.