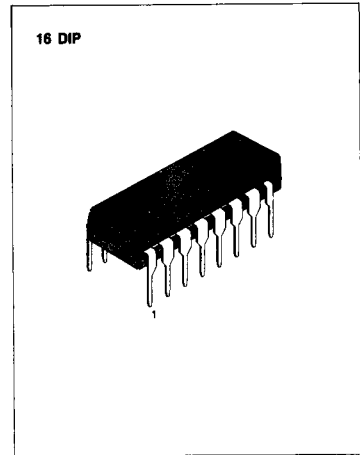


5-DOT DUAL LED LEVEL METER DRIVER

The KA2281 is a monolithic integrated circuit consisting of a 2-channel LED level meter driver which was designed for use in stereo radio cassette tape recorders and home stereos.

FEATURES

- Comparator AC level (-16, -11, -6, -3, 0dB)×2.
- Capable of driving red/green/yeollow LEDs.
- Externally adjustable gain of input amplifier.
- Wide operating supply voltage range: $V_{CC} = 5V \sim 14V$
- 10-dot dual output combined with the KA2283.
- Applicable to 10-dot mono output.
- High input impedance.
- A minimum number of external parts required.



3

BLOCK DIAGRAM

ORDERING INFORMATION

Device	Package	Operating Temperature
KA2281	16 DIP	-20 ~ +70°C

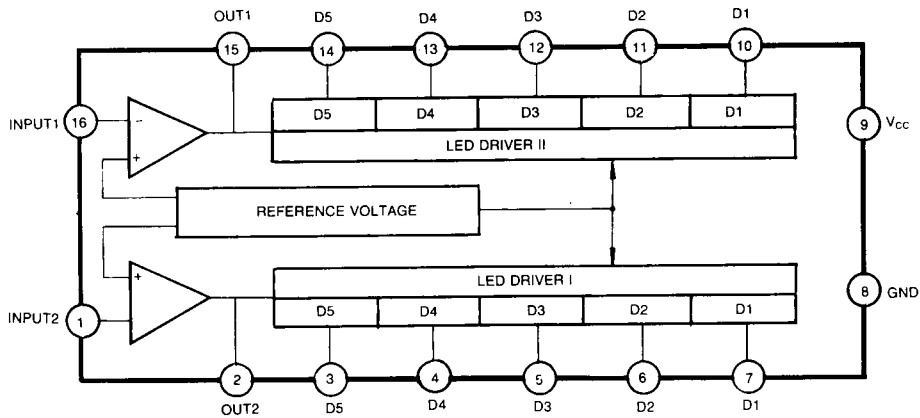


Fig. 1

ABSOLUTE MAXIMUM RATINGS ($T_a = 25^\circ\text{C}$)

Characteristic	Symbol	Value	Unit
Supply Voltage	V_{CC}	16	V
D Terminal Output Current	I_D	30	mA
Power Dissipation	P_D	600	mW
Operating Temperature	T_{OPR}	-20 ~ +70	$^\circ\text{C}$
Storage Temperature	T_{STG}	-40 ~ +125	$^\circ\text{C}$

ELECTRICAL CHARACTERISTICS

($T_a = 25^\circ\text{C}$, $V_{CC} = 12\text{V}$, $f = 1\text{KHz}$, unless otherwise specified)

Characteristic	Symbol	Test Conditions	Min	Typ	Max	Unit
Quiescent Circuit Current	I_{CCQ}	$V_I = 0$		4		mA
D Terminal ON Voltage	V_{ON}	$I_O = 20\text{mA}$		1.5		V
D Terminal Leakage Current	$I_{O(LKG)}$	$V_I = 0$			50	μA
Voltage Gain (Closed Loop)	G_V			13.4		dB
Comparator ON Level	$V_{CL(ON)1}$	$G_V = 13.4\text{dB}$	-1	0	1	dB
	$V_{CL(ON)2}$		-4	-3	-2	
	$V_{CL(ON)3}$		-7.5	-6	-4.5	
	$V_{CL(ON)4}$		-13	-11	-9	
	$V_{CL(ON)5}$		-19	-16	-13	
LED ON Level Difference	ΔV_{CL}	$V_{CL(ON)1.5} - V_{CL(ON)1.5}$ $A_V = 13.4\text{dB}$	-1	0	1	dB
Input Impedance of Amp	Z_i			200		$\text{K}\Omega$

* Definition of 0dB: when the value of Input voltage is 218mVrms

TYPICAL APPLICATIONS

1. 5-dot dual application

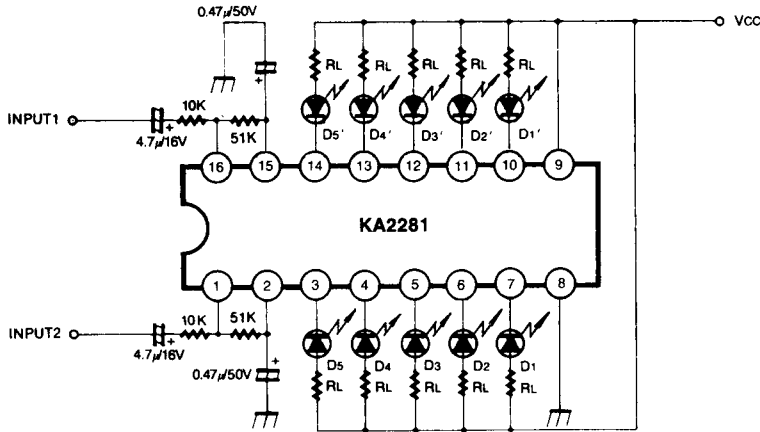


Fig. 2

2. 10-dot mono application

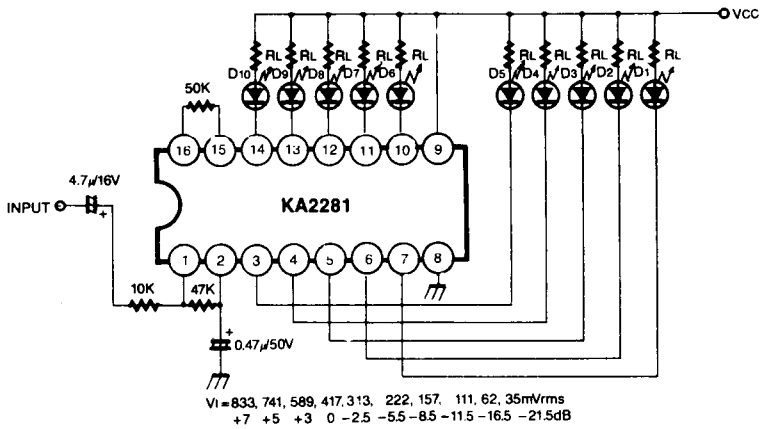


Fig. 3

This datasheet has been downloaded from:

www.DatasheetCatalog.com

Datasheets for electronic components.



LittleDiode supplies new, hard to find or obsolete electronic components and semiconductors all over the world.

With over two million different components listed you are sure to find the part you need.

Feel free to visit us today at our online store:

LittleDiode.com

Looking forward to providing you with the best possible service.