

TENTATIVE TOSHIBA CMOS DIGITAL INTEGRATED CIRCUIT SILICON MONOLITHIC

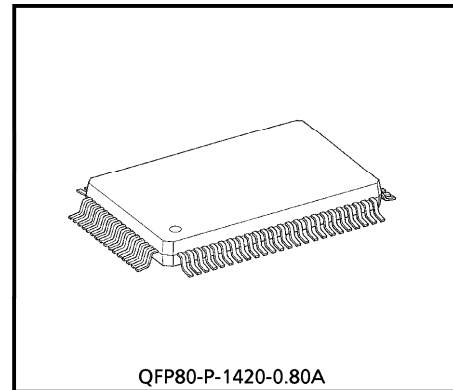
TC9284BF

CD SINGLE CHIP PROCESSOR WITH BUILT-IN 1BIT DA CONVERTER

The TC9284BF is a single chip processor for sync separation protection/synchronization, EFM demodulation, error correction/interpolation, microcomputer interface, CLV servo a focus tracking servo in CD player system. And, built-in 1bit DA converter. In combination with the TA8190F/TA8191F/TA2031F/TA2035F/TA2065F/TA2077F, which are focus tracking servo LSI, a CD player system can be composed very simply.

FEATURES

- Positive sync pattern detection, sync signal protection and synchronization.
- Built-in EFM demodulation and subcode demodulation circuit.
- Has the correction capacity of single and double corrections for C1 and C2 correcting units, respectively, using CIRC correction theoretical format.
- Jitter absorbing capacity of ± 5 frames.
- Built-in 16K RAM.
- Built-in digital out circuit.
- Smooth muting through zero cross detection.
- Read timing free subcode Q data.
- Built-in data slicer and analog PLL (free-adjustment VCO adopted) circuit.
- Focus/tracking loop gain auto adjusting function incorporated.
- Built-in AFC and APC circuits for disc motor CLV servo.
- Built-in focus tracking servo control circuit.
- Tracking search control capable of coping with all modes.
- Built-in 1bit DA converter.
Function of DA converter.
 - (1) Built-in 8-time oversampling digital filter.
 - (2) Built-in soft mute function.
- Built-in microcomputer interface circuit.
- Double speed play is possible.
- In CMOS structure, high speed and low power dissipation.
- 80 pin flat package.



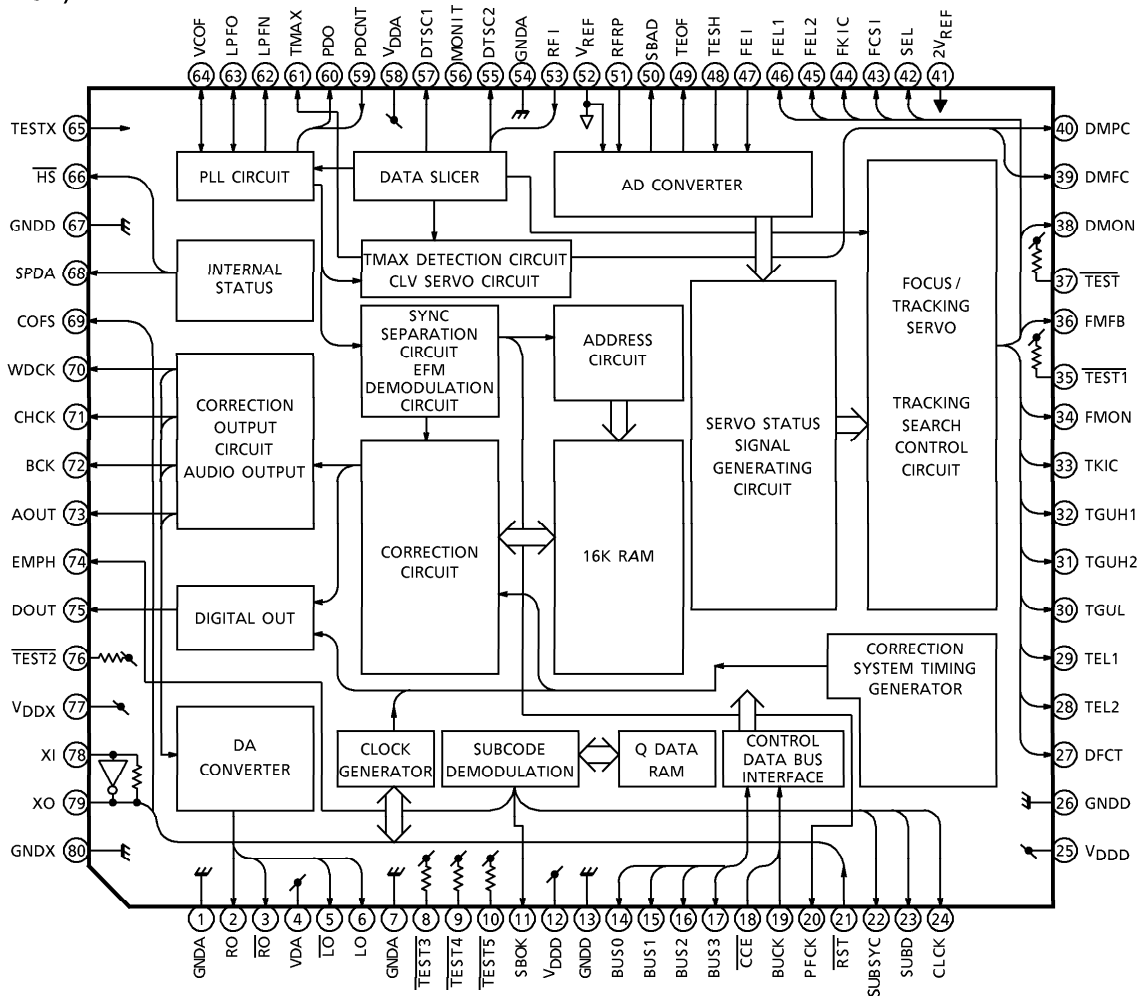
Weight : 1.57g (Typ.)

980508EBA2

- TOSHIBA is continually working to improve the quality and the reliability of its products. Nevertheless, semiconductor devices in general can malfunction or fail due to their inherent electrical sensitivity and vulnerability to physical stress. It is the responsibility of the buyer, when utilizing TOSHIBA products, to observe standards of safety, and to avoid situations in which a malfunction or failure of a TOSHIBA product could cause loss of human life, bodily injury or damage to property. In developing your designs, please ensure that TOSHIBA products are used within specified operating ranges as set forth in the most recent products specifications. Also, please keep in mind the precautions and conditions set forth in the TOSHIBA Semiconductor Reliability Handbook.
- The products described in this document are subject to foreign exchange and foreign trade laws.
- The information contained herein is presented only as a guide for the applications of our products. No responsibility is assumed by TOSHIBA CORPORATION for any infringements of intellectual property or other rights of the third parties which may result from its use. No license is granted by implication or otherwise under any intellectual property or other rights of TOSHIBA CORPORATION or others.
- The information contained herein is subject to change without notice.

PIN CONNECTION / BLOCK DIAGRAM

(Top view)



PIN FUNCTION

| PIN No. | SYMBOL | I/O | FUNCTIONAL DESCRIPTION | REMARKS |
|----------------|--------------------|-----|--|---|
| 1 | GNDA | — | Analog grand terminal for DA converter (R channel) | — |
| 2 | RO | O | R channel data forward output terminal. | — |
| 3 | \overline{RO} | O | R channel data reverse output terminal. | — |
| 4 | V _{DA} | — | Analog power supply terminal for DA converter. | — |
| 5 | \overline{LO} | O | L channel data reverse output terminal. | — |
| 6 | LO | O | L channel data forward output terminal. | — |
| 7 | GNDA | — | Analog grand terminal for DA converter (L channel) | — |
| 8 | $\overline{TEST3}$ | I | Test terminal. Normally, keep at "H" level or open. | With pull-up resistor |
| 9 | $\overline{TEST4}$ | I | Test terminal. Normally, keep at "H" level or open. | |
| 10 | $\overline{TEST5}$ | I | Test terminal. Normally, keep at "H" level or open. | |
| 11 | SBOK | O | Subcode Q data CRC check adjusting result output terminal. The adjusting result is OK at "H" level. | — |
| 12 | V _{DDD} | — | Digital supply voltage terminal. (+5V) | — |
| 13 | GNDD | — | Digital ground terminal. | — |
| 14 15 17 | BUS0 1 BUS3 | I/O | Command and data sending/receiving input/output terminals. | Schmitt input Open drain output With pull-up resistor |
| 18 | \overline{CCE} | I | Command and data sending/receiving chip enable signal input terminal. The bus line becomes active at "L" level. | Schmitt input |
| 19 | BUCK | I | Command and data sending/receiving clock input terminal. | |
| 20 | PFCK | O | Regeneration system frame periodic signal output terminal. 7.35kHz | — |
| 21 | \overline{RST} | I | Reset input terminal. The internal system is reset at "L" level. | With pull-up resistor |
| 22 | SUBSYC | O | Subcode sync signal output terminal. | — |
| 23 | SUBD | O | Subcode P~W output terminals. | — |
| 24 | CLCK | I | Subcode P~W data readout clock input terminal. | — |
| 25 | V _{DDD} | — | Digital supply voltage terminal. | — |
| 26 | GNDD | — | Digital ground terminal. | — |
| 27 | DFCT | O | Defect detection signal output terminal. V _{REF} when defect is detected. Normally, HiZ. | — |
| 28 | TEL2 | O | Tracking gain adjusting analog switch output terminals V _{REF} or HiZ. | — |
| 29 | TEL1 | | | |
| 30 | TGUL | O | Tracking servo loop low frequency phase compensator change-over analog switch output terminal. HiZ (gain up) when detecting shock. Normally, V _{REF} . | — |

PIN FUNCTION

| PIN No. | SYMBOL | I/O | FUNCTIONAL DESCRIPTION | REMARKS | | | | | | | | | | | | | | | | |
|---------|-------------------|--------------------|---|-----------------------|-------------|--------------------|-------------|-----------|---|--------------------|------|--------|--------------|------|-----|--------------------|-------|------------------|---------------|--|
| 31 | TGUH2 | O | Tracking servo loop middle /high frequency phase compensator change-over analog switch output terminals. | — | | | | | | | | | | | | | | | | |
| 32 | TGUH1 | | HiZ (gain up) when detecting shock. Normally, V _{REF} . TGUH1 is used at normal regeneration and TGUH2 is used at double speed regeneration. | | | | | | | | | | | | | | | | | |
| 33 | TKIC | O | Tracking actuator kick signal output terminal. Kicks in the outer circumferential direction at "H" level and in the inner circumferential direction at "L" level. | 3-state output | | | | | | | | | | | | | | | | |
| 34 | FMON | O | Feed servo ON/OFF analog switch output terminals. Servo on at "HiZ". Servo off at "V _{REF} ". | — | | | | | | | | | | | | | | | | |
| 35 | TEST1 | I | Test terminal. Normally, keep at "H" level or open. | With pull-up resistor | | | | | | | | | | | | | | | | |
| 36 | FMFB | O | Feed motor FWD/BWD feeding control signal output terminal. Feed in the outer circumferential direction at "H" level and in the inner circumferential direction at "L" level. | 3-state output | | | | | | | | | | | | | | | | |
| 37 | TEST | I | Test terminal. Normally, keep at "H" level or open. | With pull-up resistor | | | | | | | | | | | | | | | | |
| 38 | DMON | O | Disc motor driving circuit gain change-over analog switch output terminal. | — | | | | | | | | | | | | | | | | |
| 39 | DMFC | O | Disc motor CLV servo AFC signal output terminal. | 3-state output | | | | | | | | | | | | | | | | |
| | | | <table border="1"> <thead> <tr> <th>COMMAND</th> <th>DMFC OUTPUT</th> <th>OPERATION</th> </tr> </thead> <tbody> <tr> <td>DMFK</td> <td>H</td> <td>Motor acceleration</td> </tr> <tr> <td>DMSV</td> <td>PWM</td> <td>CLV servo ON</td> </tr> <tr> <td>DMBK</td> <td>L</td> <td>Motor deceleration</td> </tr> <tr> <td>DMOFF</td> <td>V_{REF}</td> <td>CLV servo OFF</td> </tr> </tbody> </table> | | COMMAND | DMFC OUTPUT | OPERATION | DMFK | H | Motor acceleration | DMSV | PWM | CLV servo ON | DMBK | L | Motor deceleration | DMOFF | V _{REF} | CLV servo OFF | |
| | | | COMMAND | | DMFC OUTPUT | OPERATION | | | | | | | | | | | | | | |
| | | | DMFK | | H | Motor acceleration | | | | | | | | | | | | | | |
| | | | DMSV | | PWM | CLV servo ON | | | | | | | | | | | | | | |
| DMBK | L | Motor deceleration | | | | | | | | | | | | | | | | | | |
| DMOFF | V _{REF} | CLV servo OFF | | | | | | | | | | | | | | | | | | |
| | | | | | | | | | | | | | | | | | | | | |
| | | | | | | | | | | | | | | | | | | | | |
| | | | | | | | | | | | | | | | | | | | | |
| 40 | DMPC | O | Disc motor CLV servo APC signal output terminal. | 3-state output | | | | | | | | | | | | | | | | |
| 41 | 2V _{REF} | I | Double times reference voltage input terminal. (V _{REF} × 2) | — | | | | | | | | | | | | | | | | |
| 42 | SEL | O | Servo mode indicating signal output terminal. | 3-state output | | | | | | | | | | | | | | | | |
| | | | <table border="1"> <thead> <tr> <th>SEL</th> <th>LD ON / OFF</th> <th>FOCUS SERVO</th> <th>OPERATION</th> </tr> </thead> <tbody> <tr> <td>L</td> <td>OFF</td> <td>OFF</td> <td>LD OFF</td> </tr> <tr> <td>HiZ</td> <td>ON</td> <td>OFF</td> <td>Focus Search</td> </tr> <tr> <td>H</td> <td>ON</td> <td>ON</td> <td>Normal play, etc. Focus Servo ON : FOK)</td> </tr> </tbody> </table> | | SEL | LD ON / OFF | FOCUS SERVO | OPERATION | L | OFF | OFF | LD OFF | HiZ | ON | OFF | Focus Search | H | ON | ON | Normal play, etc. Focus Servo ON : FOK) |
| | | | SEL | | LD ON / OFF | FOCUS SERVO | OPERATION | | | | | | | | | | | | | |
| | | | L | | OFF | OFF | LD OFF | | | | | | | | | | | | | |
| HiZ | ON | OFF | Focus Search | | | | | | | | | | | | | | | | | |
| H | ON | ON | Normal play, etc. Focus Servo ON : FOK) | | | | | | | | | | | | | | | | | |
| | | | | | | | | | | | | | | | | | | | | |
| | | | | | | | | | | | | | | | | | | | | |

| PIN No. | SYMBOL | I/O | FUNCTION DESCRIPTION | REMARKS | | | | | | | | | | | | |
|---------|--------|-----------------------------|---|----------------|-------------|------------------------------|-----------|-------|---|------------------------------|-------|---|---------------------|--------|-----|-----------------------------|
| 43 | FCSI | O | Focus actuator driving signal output terminal in the focus search mode. | 3-state output | | | | | | | | | | | | |
| | | | <table border="1"> <thead> <tr> <th>COMMAND</th> <th>FCSI OUTPUT</th> <th>OPERATION</th> </tr> </thead> <tbody> <tr> <td>FORST</td> <td>H</td> <td>Lens gets for away from disc</td> </tr> <tr> <td>FOSET</td> <td>L</td> <td>Lens gets near disc</td> </tr> <tr> <td>Others</td> <td>HiZ</td> <td>Other than focus search</td> </tr> </tbody> </table> | | COMMAND | FCSI OUTPUT | OPERATION | FORST | H | Lens gets for away from disc | FOSET | L | Lens gets near disc | Others | HiZ | Other than focus search |
| | | | COMMAND | | FCSI OUTPUT | OPERATION | | | | | | | | | | |
| | | | FORST | | H | Lens gets for away from disc | | | | | | | | | | |
| FOSET | L | Lens gets near disc | | | | | | | | | | | | | | |
| Others | HiZ | Other than focus search | | | | | | | | | | | | | | |
| | | | | | | | | | | | | | | | | |
| | | | | | | | | | | | | | | | | |
| 44 | FKIC | O | Focus actuator driving signal output terminal in the focus gain adjusting mode. | 3-state output | | | | | | | | | | | | |
| | | | <table border="1"> <thead> <tr> <th>COMMAND</th> <th>FKIC OUTPUT</th> <th>OPERATION</th> </tr> </thead> <tbody> <tr> <td>FGASR</td> <td>H</td> <td>Lens gets for away from disc</td> </tr> <tr> <td>FGASS</td> <td>L</td> <td>Lens gets near disc</td> </tr> <tr> <td>Others</td> <td>HiZ</td> <td>Other than focus adjustment</td> </tr> </tbody> </table> | | COMMAND | FKIC OUTPUT | OPERATION | FGASR | H | Lens gets for away from disc | FGASS | L | Lens gets near disc | Others | HiZ | Other than focus adjustment |
| | | | COMMAND | | FKIC OUTPUT | OPERATION | | | | | | | | | | |
| | | | FGASR | | H | Lens gets for away from disc | | | | | | | | | | |
| FGASS | L | Lens gets near disc | | | | | | | | | | | | | | |
| Others | HiZ | Other than focus adjustment | | | | | | | | | | | | | | |
| | | | | | | | | | | | | | | | | |
| | | | | | | | | | | | | | | | | |
| 45 | FEL2 | O | Focus again adjusting analog switch output terminals. | — | | | | | | | | | | | | |
| 46 | FEL1 | | | | | | | | | | | | | | | |
| 47 | FEI | I | Focus error signal input terminal. | Analog output | | | | | | | | | | | | |
| 48 | TESH | I | Tracking error signal input sample holding analog switch input terminal. | — | | | | | | | | | | | | |
| 49 | TEOF | O | Tracking servo operation ON/OFF analog switch output terminal. VREF when the tracking servo is OFF. | — | | | | | | | | | | | | |
| 50 | SBAD | I | Sub beam adding signal input terminal. | Analog input | | | | | | | | | | | | |
| 51 | RFRP | I | RF ripple signal input terminal. | | | | | | | | | | | | | |
| 52 | VREF | I | Reference voltage input terminal. (+ 2.1V) | — | | | | | | | | | | | | |
| 53 | RFI | I | RF signal input terminal. | Analog input | | | | | | | | | | | | |
| 54 | GND A | — | Analog ground terminal. | — | | | | | | | | | | | | |
| 55 | DTSC2 | O | Data slice control EFM signal passive output terminal. | — | | | | | | | | | | | | |
| 56 | MONIT | O | Internal signal (EFMO, PLCK, LOCK and MBOV) output terminal. Selected by command. | — | | | | | | | | | | | | |
| 57 | DTSC1 | O | Data slice control EFM signal negative output terminal. | — | | | | | | | | | | | | |
| 58 | VDDA | — | Analog supply voltage terminal. (+ 5V) | — | | | | | | | | | | | | |
| 59 | PDCNT | I | PDO output control terminal. At "L" level, PDO output is made to HiZ by force. | — | | | | | | | | | | | | |
| 60 | PDO | O | Phase error signal output terminal between EFM signal and PLCK. | 3-state output | | | | | | | | | | | | |

| PIN No. | SYMBOL | I/O | FUNCTIONAL DESCRIPTION | REMARKS | | | | | | | | |
|-------------------------------|------------------------|-----|--|-----------------------|-------------|-------------|------------------------------|---|-------------------------------|------------------------|------------------|-----|
| 61 | TMAX | O | TMAX signal output terminal. Hiz at time of system clock. | 3-state output | | | | | | | | |
| | | | <table border="1"> <thead> <tr> <th>TMAX PERIOD</th> <th>TMAX OUTPUT</th> </tr> </thead> <tbody> <tr> <td>Longer than specified period</td> <td>L</td> </tr> <tr> <td>Shorter than specified period</td> <td>H (2V_{REF})</td> </tr> <tr> <td>Specified period</td> <td>HiZ</td> </tr> </tbody> </table> | | TMAX PERIOD | TMAX OUTPUT | Longer than specified period | L | Shorter than specified period | H (2V _{REF}) | Specified period | HiZ |
| | | | TMAX PERIOD | | TMAX OUTPUT | | | | | | | |
| | | | Longer than specified period | | L | | | | | | | |
| Shorter than specified period | H (2V _{REF}) | | | | | | | | | | | |
| Specified period | HiZ | | | | | | | | | | | |
| | | | | | | | | | | | | |
| | | | | | | | | | | | | |
| 62 | LPFN | I | LPF amplifier inverting input terminal for PLL. | — | | | | | | | | |
| 63 | LPFO | O | LPF amplifier output terminal for PLL. | — | | | | | | | | |
| 64 | VCOF | I | VCO filter terminal. | — | | | | | | | | |
| 65 | TESTX | I | Test terminal. | — | | | | | | | | |
| 66 | HS | O | Double speed monitor output terminal. Double speed operation at "L" level. | — | | | | | | | | |
| 67 | GNDD | — | Digital ground terminal. | — | | | | | | | | |
| 68 | SPDA | O | Processor status signal output terminal. Correction process judging result, memory buffer capacity, etc. | — | | | | | | | | |
| 69 | COFS | O | Correction system frame periodic signal output terminal. 7.35kHz. | — | | | | | | | | |
| 70 | WDCK | O | Word clock output terminal. Normally, 88.2kHz. | — | | | | | | | | |
| 71 | CHCK | O | Channel clock output terminal. Normally, 44.1kHz. | — | | | | | | | | |
| 72 | BCK | O | Bit clock output terminal. Normally, 1.4112MHz. | — | | | | | | | | |
| 73 | AOUT | O | Audio data output terminal. | — | | | | | | | | |
| 74 | EMPH | O | Emphasis ON/OFF indication signal output terminal. Emphasis ON at "H" level. | — | | | | | | | | |
| 75 | DOUT | O | Digital out output terminal. | — | | | | | | | | |
| 76 | TEST2 | I | Test terminal. Normally, keep at "H" level or open. | With pull-up resistor | | | | | | | | |
| 77 | VDDX | O | Oscillator supply voltage terminal. | — | | | | | | | | |
| 78 | XI | I | Crystal oscillator connecting terminal. | | | | | | | | | |
| 79 | XO | O | | | | | | | | | | |
| 80 | GNDX | O | Oscillator grand terminal. | — | | | | | | | | |

MAXIMUM RATINGS (Ta = 25°C)

| CHARACTERISTIC | SYMBOL | RATING | UNIT |
|-----------------------|------------------|----------------------------|------|
| Power Supply Voltage | V _{DD} | -0.3~6.0 | V |
| Input Voltage | V _{IN} | -0.3~V _{DD} + 0.3 | V |
| Power Dissipation | P _D | 1250 | mW |
| Operating Temperature | T _{opr} | -35~85 | °C |
| Storage Temperature | T _{stg} | -55~150 | °C |

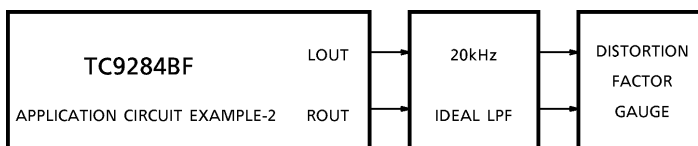
ELECTRICAL CHARACTERISTICS

(Unless otherwise specified, V_{DD} = 5V, 2V_{REF} = 4.2V, V_{REF} = 2.1V, Ta = 25°C)

| CHARACTERISTIC | SYMBOL | TEST CIRCUIT | TEST CONDITION | MIN. | TYP. | MAX. | UNIT |
|---------------------------|-----------------|---------------------|--|------------------------|------|-----------------------|------|
| Operating Supply Voltage | V _{DD} | — | Ta = -35~85°C | 4.5 | 5.0 | 5.5 | V |
| Operating Supply Current | I _{DD} | — | XI = 16.9344MHz In normal mode | — | 40 | 70 | mA |
| Input Voltage | "H" Level | V _{IH} (1) | Whole input terminals except BUS0~3, BUCK and \overline{CCE} | 3.5 | — | V _{DD} + 0.3 | V |
| | "L" Level | V _{IL} (1) | | 0 | — | 1.5 | |
| | "H" Level | V _{IH} (2) | BUS0~3, BUCK, \overline{CCE} (Schmitt input) | 4.0 | — | V _{DD} + 0.3 | |
| | "L" Level | V _{IL} (2) | | 0 | — | 1.0 | |
| Input Current | "H" Level | I _{IH} | V _{IH} = 5V CMOS input terminals except analog input terminal | — | — | 1.0 | μA |
| | "L" Level | I _{IL} | | V _{IL} = 0V | -1.0 | — | |
| Try State Leak Current | "H" Level | I _{TLH} | V _{IH} = 5V | — | — | 1.0 | μA |
| | "L" Level | I _{TLL} | V _{IL} = 0V | -1.0 | — | — | |
| Output Current | "H" Level | I _{OH} (1) | V _{OH} = 4.6V WDCK, CHCK, BCK, AOUT, DOUT, XO V _{OUT} = V _{DD} | — | — | -2.0 | mA |
| | "L" Level | I _{OL} (1) | | V _{OL} = 0.4V | 2.0 | — | |
| | "H" Level | I _{OH} (2) | V _{OH} = 4.6V SBOK, PFCK, SUBSYN, SUBD, CLCK, SEL, HS, FCSI, FKIC, PDCNT, MONIT, COFS, SPDA V _{OUT} = V _{DD} | — | — | -0.5 | |
| | "L" Level | I _{OL} (2) | | V _{OL} = 0.4V | 1.0 | — | |
| | "H" Level | I _{OH} (3) | V _{OH} = 3.8V TKIC, FMFB, DMFC, DMPC, TMAX V _{OUT} = 2V _{REF} | — | — | -0.4 | |
| | "L" Level | I _{OL} (3) | | V _{OL} = 0.4V | 1.0 | — | |
| | "H" Level | I _{OH} (4) | V _{OH} = 3.8V PDO V _{OUT} = 2V _{REF} | — | — | -1.0 | |
| | "L" Level | I _{OL} (4) | | V _{OL} = 0.4V | 1.0 | — | |
| Analog Switch OFF Current | "H" Level | I _{OFH} | V _{IH} = 5V | — | — | 1.0 | μA |
| | "L" Level | I _{OFL} | V _{IL} = 0V | -1.0 | — | — | |

| CHARACTERISTIC | SYMBOL | TEST CIRCUIT | TEST CONDITION | MIN. | TYP. | MAX. | UNIT |
|---|-----------------|--------------|---|------|------|------|------|
| Analog Switch ON Resistance | RON (1) | — | FEL1/2, TEL1/2, FMON, TGUL, TGUH1/2, DFCT, TEOF, DMON | — | — | 0.3 | kΩ |
| | RON (2) | | TESH | — | — | 0.6 | |
| Pull-up Resistance | RUP (1) | — | RST | — | 50 | — | kΩ |
| | RUP (2) | | TEST, TEST1~5 | — | 30 | — | |
| | RUP (3) | | BUS3~0 | 8 | — | — | |
| Oscillation Amplifier Feedback Resistance | RN | — | XI XO between | 2 | 4 | 6 | kΩ |
| Operating Frequency Ratio | f _{op} | — | XI | 6 | — | 28 | MHz |
| Total Harmonic Distortion + Noise | THD + N | 1 | 1kHz sine wave Full-scale input | — | -85 | -80 | dB |
| S/N Ratio | S/N | 1 | | 90 | 98 | — | dB |
| Dynamic Range | DR | 1 | 1kHz sine wave -60dB input conversion | 90 | 95 | — | dB |
| Cross-talk | CT | 1 | 1kHz sine wave Full-scale input | — | -95 | -85 | dB |

TEST CIRCUIT 1 : Application circuit example-2 is used.

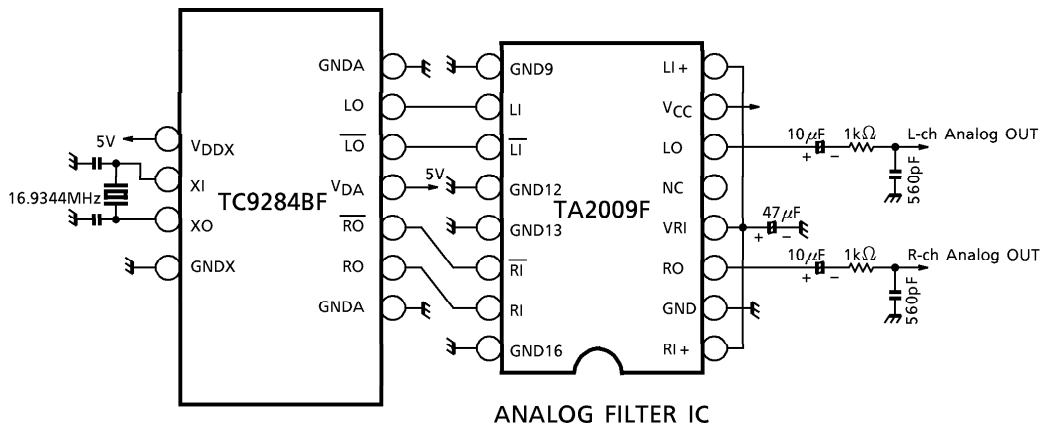


LPF : SHIBASOKU 725C BUILT-IN FILTER
 DISTORTION FACTOR GAUGE : SHIBASOKU 725C OR EQUIVALENT

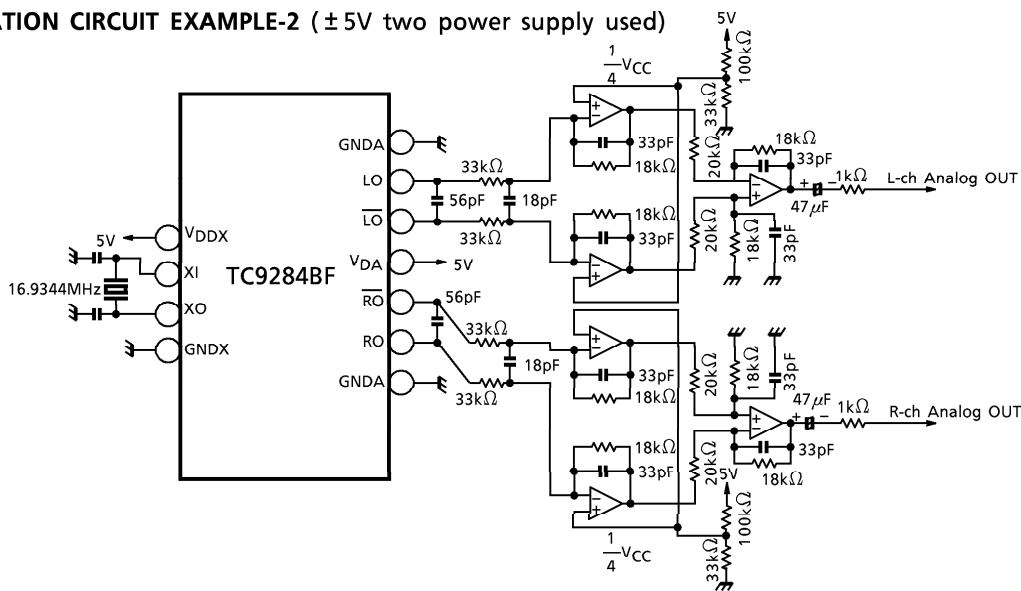
| MEASURING ITEM | DISTORTION FACTOR GAUGE FILTER SETTING A WEIGHT |
|----------------|---|
| THD + N, CT | OFF |
| S/N, DR | ON |

A WEIGHT : IEC-A OR EQUIVALENT

APPLICATION CIRCUIT EXAMPLE-1 (+5V single power supply used)



APPLICATION CIRCUIT EXAMPLE-2 ($\pm 5V$ two power supply used)

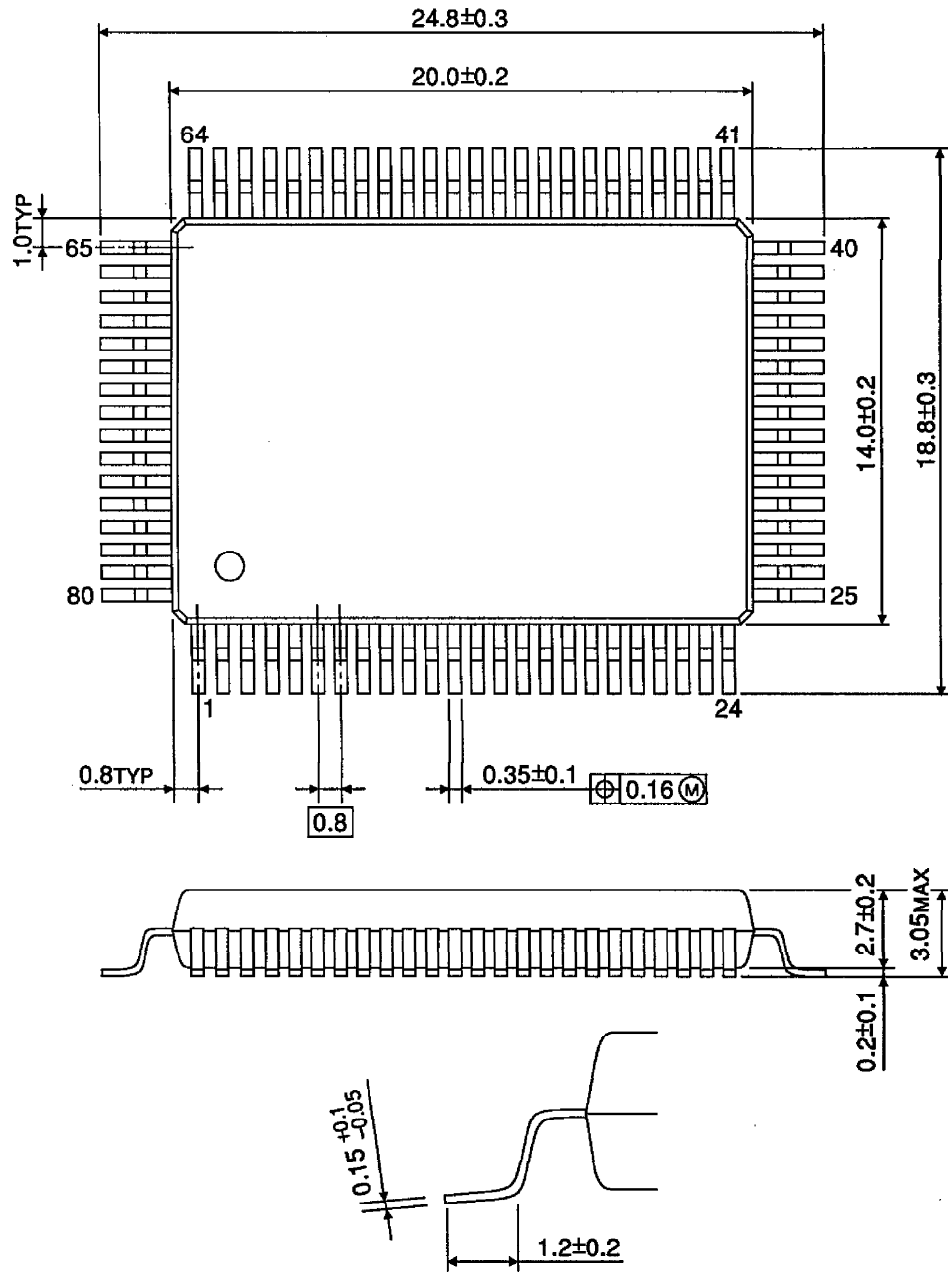


(Cautions)

- Quality of crystal oscillation wave form largely affect S/N ratio and noise distortion. Further, this is also true then system clock is input externally through the XI terminal.
- The wiring between the TC9284BF output and the TA2009F input must be made the shortest.
- The condenser between V_{DD} and GND shall be connected as close to the pin as possible.

OUTLINE DRAWING
QFP80-P-1420-0.80A

Unit : mm



Weight : 1.57g (Typ.)