

SEVEN DARLINGTON ARRAYS

- SEVEN DARLINGTONS PER PACKAGE
- **EXTENDED TEMPERATURE RANGE**
(-40 to 105°C)
- OUTPUT CURRENT 500 mA PER DRIVER
(600 mA PEAK)
- OUTPUT VOLTAGE 50 V
- INTEGRAL SUPPRESSION DIODES FOR INDUCTIVE LOADS
- OUTPUTS CAN BE PARALLELED FOR HIGHER CURRENT
- TTL/CMOS/PMOS/DTL COMPATIBLE INPUTS
- INPUTS PINNED OPPOSITE OUTPUTS TO SIMPLIFY LAYOUT

DESCRIPTION

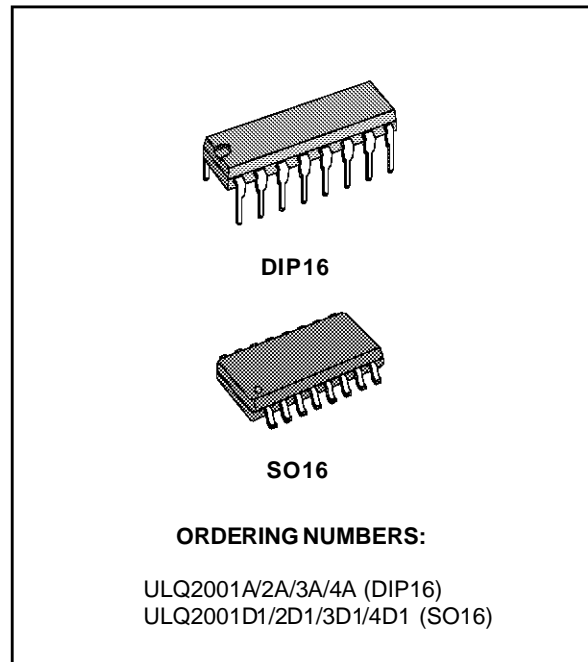
The ULQ2001A, ULQ2002A, ULQ2003 and ULQ2004A are high voltage, high current darlington arrays each containing seven open collector darlington pairs with common emitters. Each channel is rated at 500 mA and can withstand peak currents of 600 mA. Suppression diodes are included for inductive load driving and the inputs are pinned opposite the outputs to simplify board layout.

The four versions interface to all common logic families :

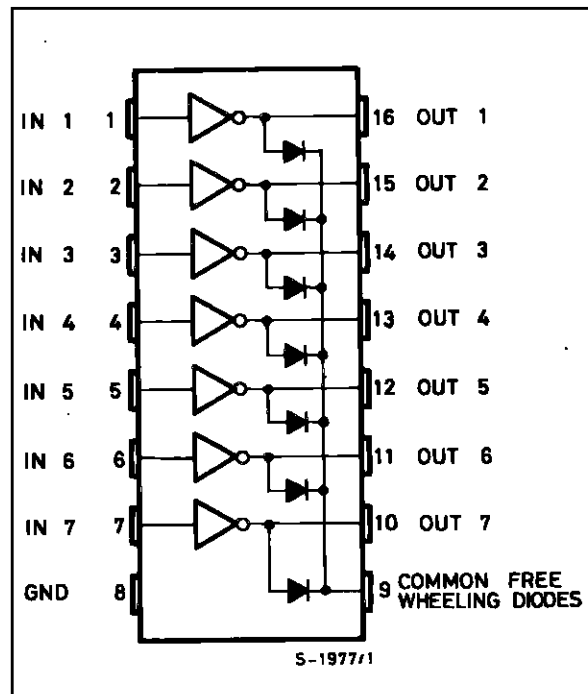
ULQ2001A	General Purpose, DTL, TTL, PMOS, CMOS
ULQ2002A	14-25V PMOS
ULQ2003A	5V TTL, CMOS
ULQ2004A	6-15V CMOS, PMOS

These versatile devices are useful for driving a wide range of loads including solenoids, relays DC motors, LED displays filament lamps, thermal print-heads and high power buffers.

The ULQ2001A/2002A/2003A and 2004A are supplied in 16 pin plastic DIP packages with a copper leadframe to reduce thermal resistance. They are available also in small outline package (SO-16) as ULQ2001D1/2002D1/2003D1/2004D1.

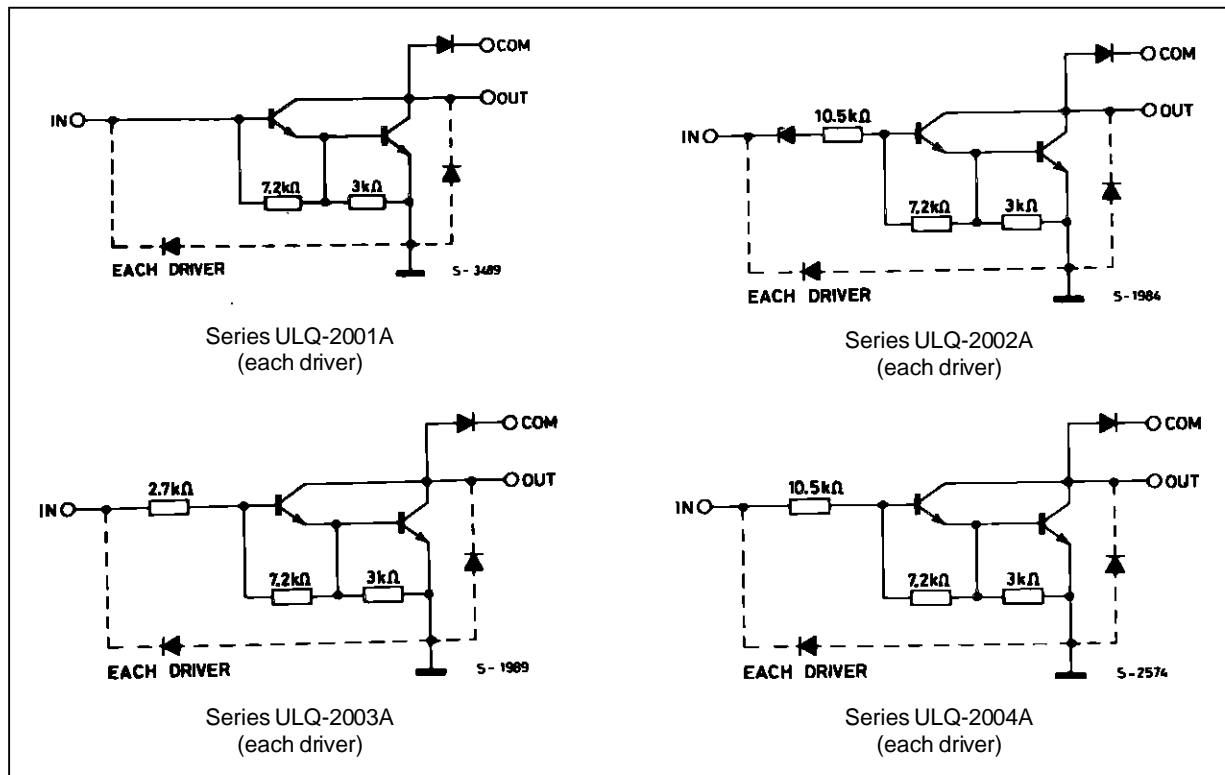


PIN CONNECTION



ULQ2001A - ULQ2002A - ULQ2003A - ULQ2004A

SCHEMATIC DIAGRAM



ABSOLUTE MAXIMUM RATINGS

Symbol	Parameter	Value	Unit
V_o	Output Voltage	50	V
V_{in}	Input Voltage (for ULQ2002A/D1 - 2003A/D1 - 2004A/D1)	30	V
I_c	Continuous Collector Current	500	mA
I_b	Continuous Base Current	25	mA
T_{amb}	Operating Ambient Temperature Range	-40 to 105	°C
T_{stg}	Storage Temperature Range	-55 to 150	°C
T_j	Junction Temperature	150	°C

THERMAL DATA

Symbol	Parameter	DIP16	SO16	Unit
$R_{th\ j-amb}$	Thermal Resistance Junction-ambient	Max. 70	165	°C/W

ULQ2001A - ULQ2002A - ULQ2003A - ULQ2004A

ELECTRICAL CHARACTERISTICS ($T_J = -40$ to 105°C for DIP16 unless otherwise specified) ($T_J = 25$ to 105°C for SO16 unless otherwise specified)

Symbol	Parameter	Test Conditions	Min.	Typ.	Max.	Unit	Fig.
I_{CEX}	Output Leakage Current	$V_{CE} = 50V$ $T_J = 105^\circ\text{C}$, $V_{CE} = 50V$ $T_J = 105^\circ\text{C}$			50 100	μA μA	1a 1a
		for ULQ2002A $V_{CE} = 50V$, $V_i = 6V$ for ULQ2004A $V_{CE} = 50V$, $V_i = 1V$			500 500	μA μA	1b 1b
$V_{CE(sat)}$	Collector-emitter Saturation Voltage	$I_C = 100\text{mA}$, $I_B = 250\mu\text{A}$		0.9	1.1	V	2
		$I_C = 200\text{mA}$, $I_B = 350\mu\text{A}$		1.1	1.3	V	2
		$I_C = 350\text{mA}$, $I_B = 500\mu\text{A}$		1.3	1.6	V	2
$I_{i(on)}$	Input Current	for ULQ2002A $V_i = 17V$		0.82	1.25	mA	3
		for ULQ2003A $V_i = 3.85V$		0.93	1.35	mA	3
		for ULQ2004A $V_i = 5V$		0.35	0.5	mA	3
		for ULQ2004A $V_i = 12V$		1	1.45	mA	3
$I_{i(off)}$	Input Current	$T_J = 105^\circ\text{C}$, $I_C = 500\mu\text{A}$	50	65		μA	4
$V_{i(on)}$	Input Voltage	for ULQ2002A $V_{CE} = 2V$, $I_C = 300\text{mA}$			13	V	5
		for ULQ2003A $V_{CE} = 2V$, $I_C = 200\text{mA}$			2.4	V	5
		$V_{CE} = 2V$, $I_C = 250\text{mA}$			2.7	V	5
		for ULQ2004A $V_{CE} = 2V$, $I_C = 300\text{mA}$			3	V	5
		$V_{CE} = 2V$, $I_C = 125\text{mA}$			5	V	5
		$V_{CE} = 2V$, $I_C = 200\text{mA}$			6	V	5
		$V_{CE} = 2V$, $I_C = 275\text{mA}$			7	V	5
		$V_{CE} = 2V$, $I_C = 350\text{mA}$			8	V	5
h_{FE}	DC Forward Current Gain	for ULQ2001A $V_{CE} = 2V$, $I_C = 350\text{mA}$	1000			–	2
C_i	Input Capacitance			15	25 (*)	pF	–
t_{PLH}	Turn-on Delay Time	$0.5 V_i$ to $0.5 V_o$		0.25	1 (*)	μs	–
t_{PHL}	Turn-off Delay Time	$0.5 V_i$ to $0.5 V_o$		0.25	1 (*)	μs	–
I_R	Clamp Diode Leakage Current	$V_R = 50V$ $T_J = 105^\circ\text{C}$, $V_R = 50V$			50 100	μA μA	6 6
V_F	Clamp Diode Forward Voltage	$I_F = 350\text{mA}$		1.7	2	V	7

(*) Guaranteed by design

TEST CIRCUITS

Figure 1a.

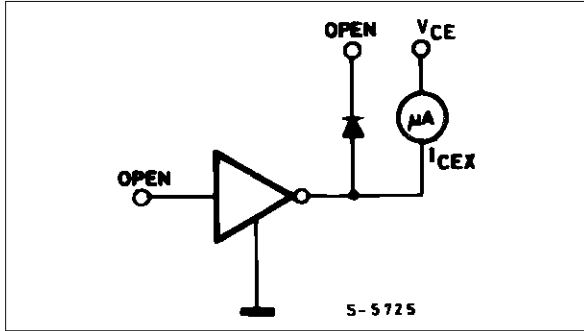


Figure 1b.

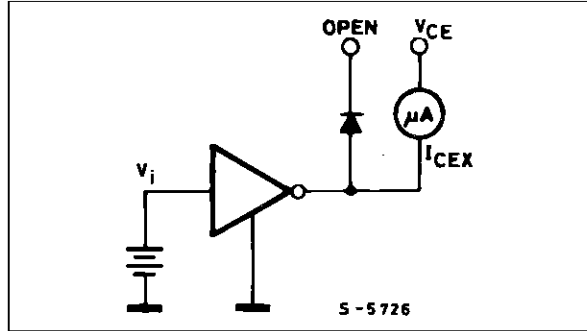


Figure 2.

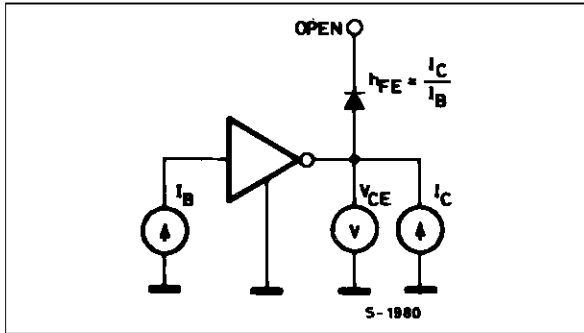


Figure 3.

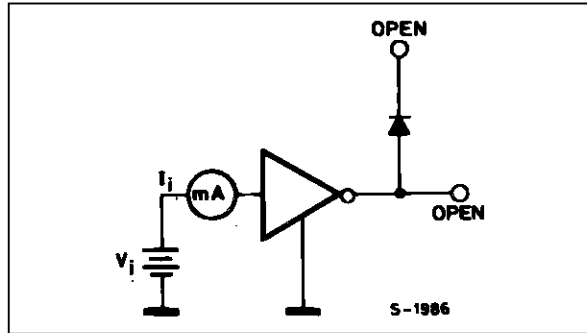


Figure 4.

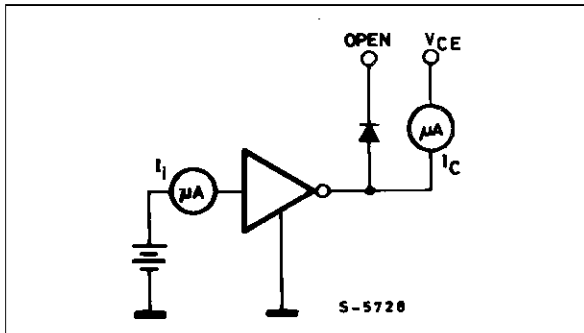


Figure 5.

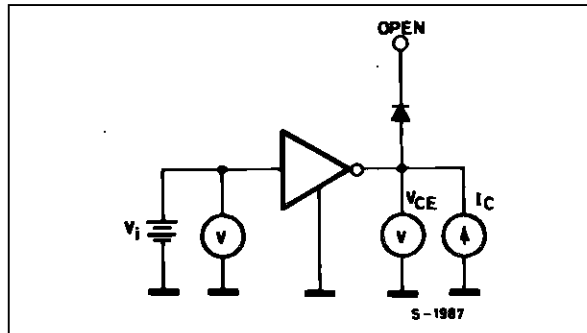


Figure 6.

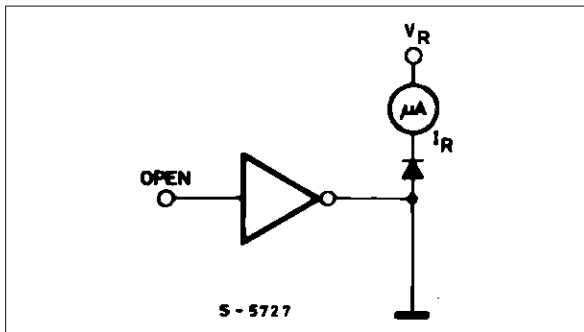
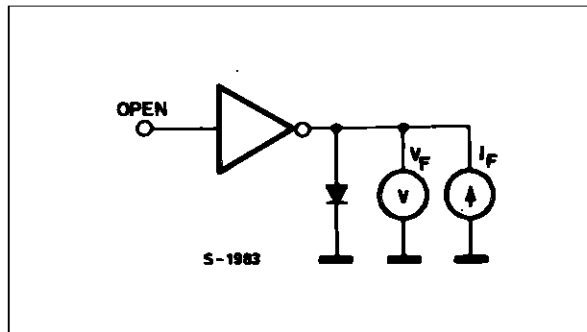
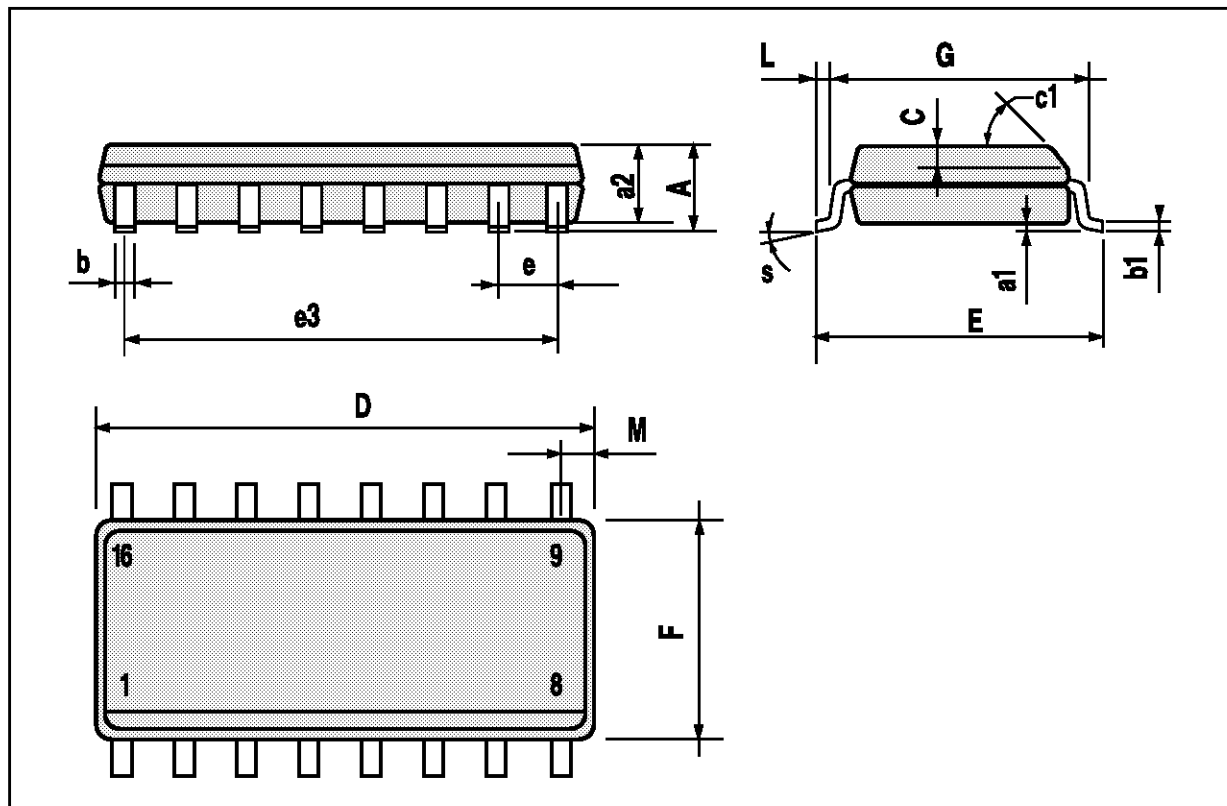


Figure 7.



SO16 PACKAGE MECHANICAL DATA

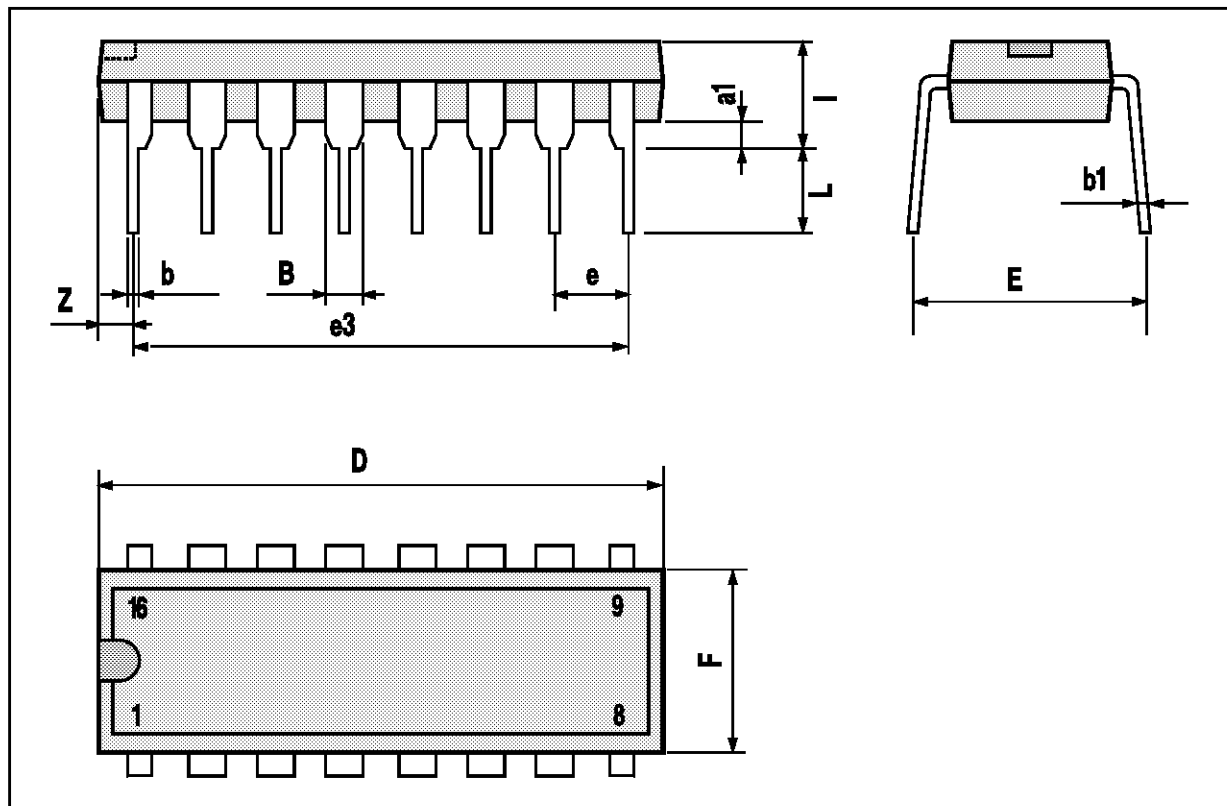
DIM.	mm			inch		
	MIN.	TYP.	MAX.	MIN.	TYP.	MAX.
A			1.75			0.069
a1	0.1		0.25	0.004		0.009
a2			1.6			0.063
b	0.35		0.46	0.014		0.018
b1	0.19		0.25	0.007		0.010
C		0.5			0.020	
c1	45 (typ.)					
D	9.8		10	0.386		0.394
E	5.8		6.2	0.228		0.244
e		1.27			0.050	
e3		8.89			0.350	
F	3.8		4.0	0.150		0.157
L	0.4		1.27	0.016		0.050
M			0.62			0.024
S	8 (max.)					



ULQ2001A - ULQ2002A - ULQ2003A - ULQ2004A

DIP16 PACKAGE MECHANICAL DATA

DIM.	mm			inch		
	MIN.	TYP.	MAX.	MIN.	TYP.	MAX.
a1	0.51			0.020		
B	0.77		1.65	0.030		0.065
b		0.5			0.020	
b1		0.25			0.010	
D			20			0.787
E		8.5			0.335	
e		2.54			0.100	
e3		17.78			0.700	
F			7.1			0.280
l			5.1			0.201
L		3.3			0.130	
Z			1.27			0.050



Information furnished is believed to be accurate and reliable. However, SGS-THOMSON Microelectronics assumes no responsibility for the consequences of use of such information nor for any infringement of patents or other rights of third parties which may result from its use. No license is granted by implication or otherwise under any patent or patent rights of SGS-THOMSON Microelectronics. Specifications mentioned in this publication are subject to change without notice. This publication supersedes and replaces all information previously supplied. SGS-THOMSON Microelectronics products are not authorized for use as critical components in life support devices or systems without express written approval of SGS-THOMSON Microelectronics.

© 1994 SGS-THOMSON Microelectronics - All Rights Reserved

SGS-THOMSON Microelectronics GROUP OF COMPANIES

Australia - Brazil - France - Germany - Hong Kong - Italy - Japan - Korea - Malaysia - Malta - Morocco - The Netherlands - Singapore - Spain - Sweden - Switzerland - Taiwan - Thailand - United Kingdom - U.S.A.