

SPECIFICATION

Device Name : SILICON DIODE

Type Name : YG801C06R

Spec. No. :

This material and the information herein is the property of Fuji Electric Co., Ltd. They shall be neither reproduced, copied, lent, or disclosed in any way whatsoever for the use of any third party nor used for the manufacturing purposes without the express written consent of Fuji Electric Co., Ltd.

Fuji Electric Co., Ltd.
Matsumoto Factory

	DATE	NAME	APPROVED	Fuji Electric Co., Ltd.	
DRAWN				DWG. NO.	
CHECKED					

1. SCOPE

This specification provides the ratings and the test requirement for FUJI SILICON DIODE YG801C06R

2. OUT VIEW · MARKING · MOLDING RESIN

- (1) Out view is shown
- (2) Marking is shown
It is marked to type name or abbreviated type name, polarity and Lot No.
- (3) Molding resin
Epoxy resin UL94:94V-0

3. RATINGS

3.1 MAXIMUM RATINGS

ITEM	SYMBOL	CONDITIONS	RATINGS	UNITS
Repetitive peak surge reverse voltage	V_{RSM}	tw=500ns, duty=1/40	60	V
Repetitive peak reverse voltage	V_{RRM}		60	V
Isolating voltage	Viso	Terminals-to-Case, AC, 1min	1500	V
Average forward current	I_o	Square wave duty=1/2 Tc=125°C	5 *	A
Non-repetitive surge current	I_{FSM}	Sine wave, 10ms	60	A
Operating junction temperature	Tj		150	°C
Storage temperature	Tstg		-40 to +150	°C

* Out put current of centertap full wave connection.

3.2 ELECTRICAL CHARACTERISTICS (at Ta= 25°C unless otherwise specified.)

ITEM	SYMBOL	CONDITIONS	MAXIMUM	UNITS
Forward voltage **	V_F	$I_F = 2 \text{ A}$	0.58	V
Reverse current **	I_R	$V_R = V_{RRM}$	5.0	mA
Thermal resistance	Rth(j-c)	Junction to case	5.0	°C/W

** Rating per element

3.3 MECHANICAL CHARACTERISTICS

Mounting torque	Recommended torque	0.3 ~ 0.5	N · m
Weight		2.0	g

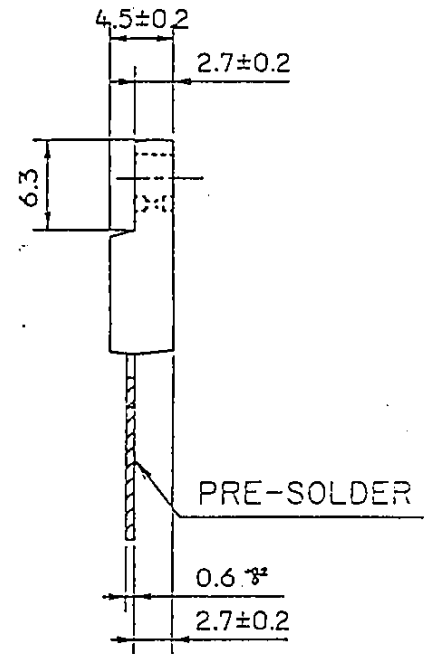
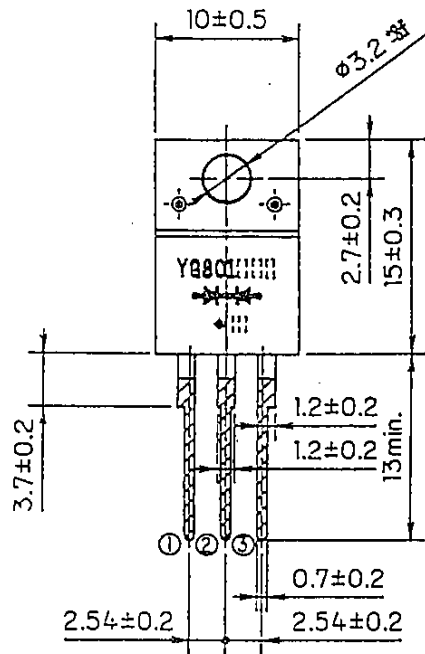
This material and the information herein is the property of Fuji Electric Co., Ltd. They shall be neither reproduced, copied, lent, or disclosed in any way whatsoever for the use of any third party nor used for the manufacturing purposes without the express written consent of Fuji Electric Co., Ltd.

Fuji Electric Co., Ltd.

DWG. NO.

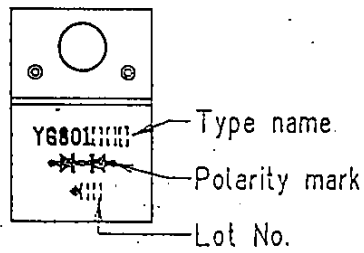
H04-004-03

OUT VIEW



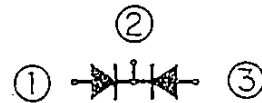
DIMENSIONS ARE IN MILLIMETERS.

MARKING



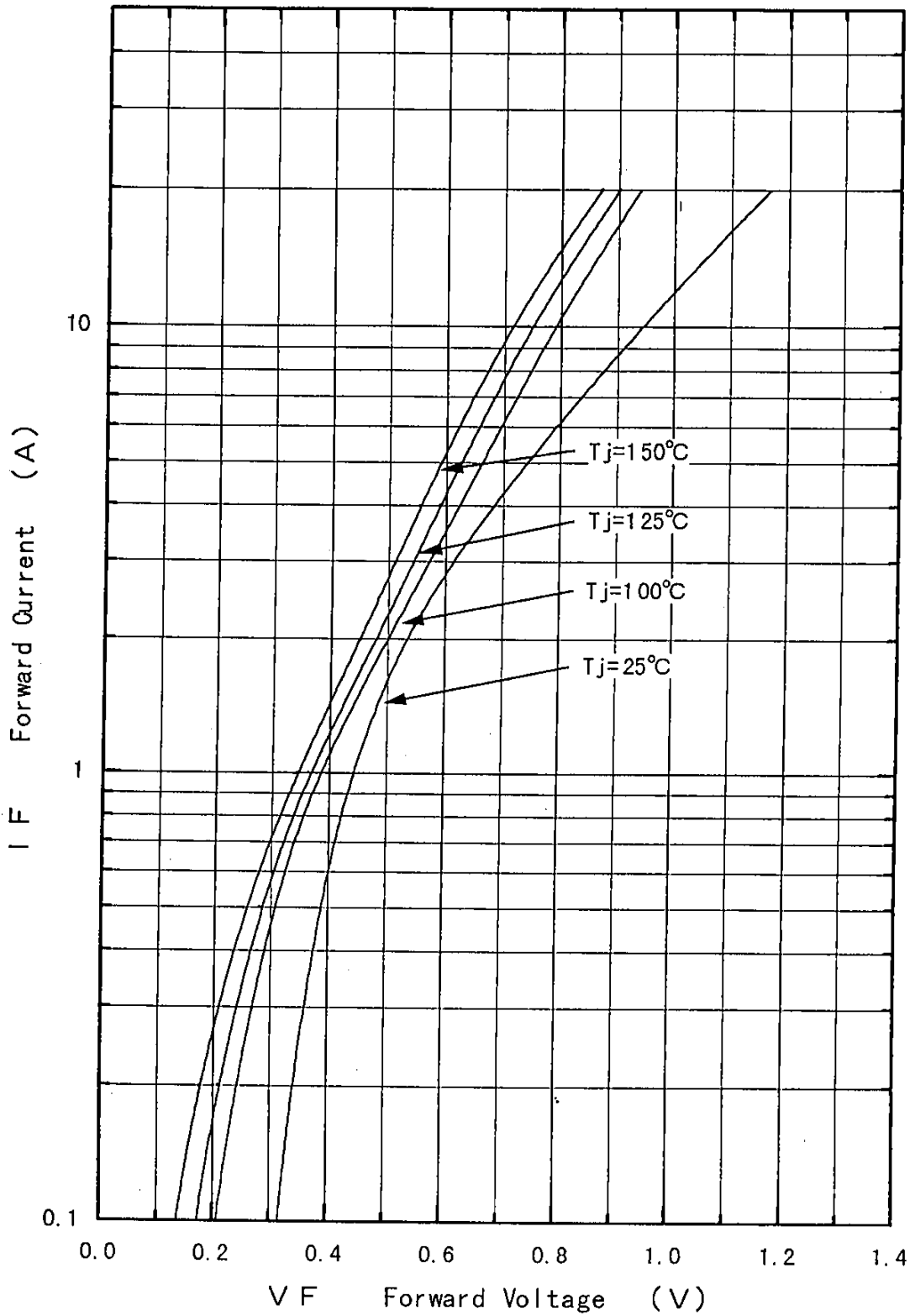
CONNECTION

YG801C



This material and the information herein is the property of Fuji Electric Co., Ltd. They shall be neither reproduced, copied, lent, or disclosed in any way whatsoever for the use of any third party nor used for the manufacturing purposes without the express written consent of Fuji Electric Co., Ltd.

Forward Characteristic (typ.)



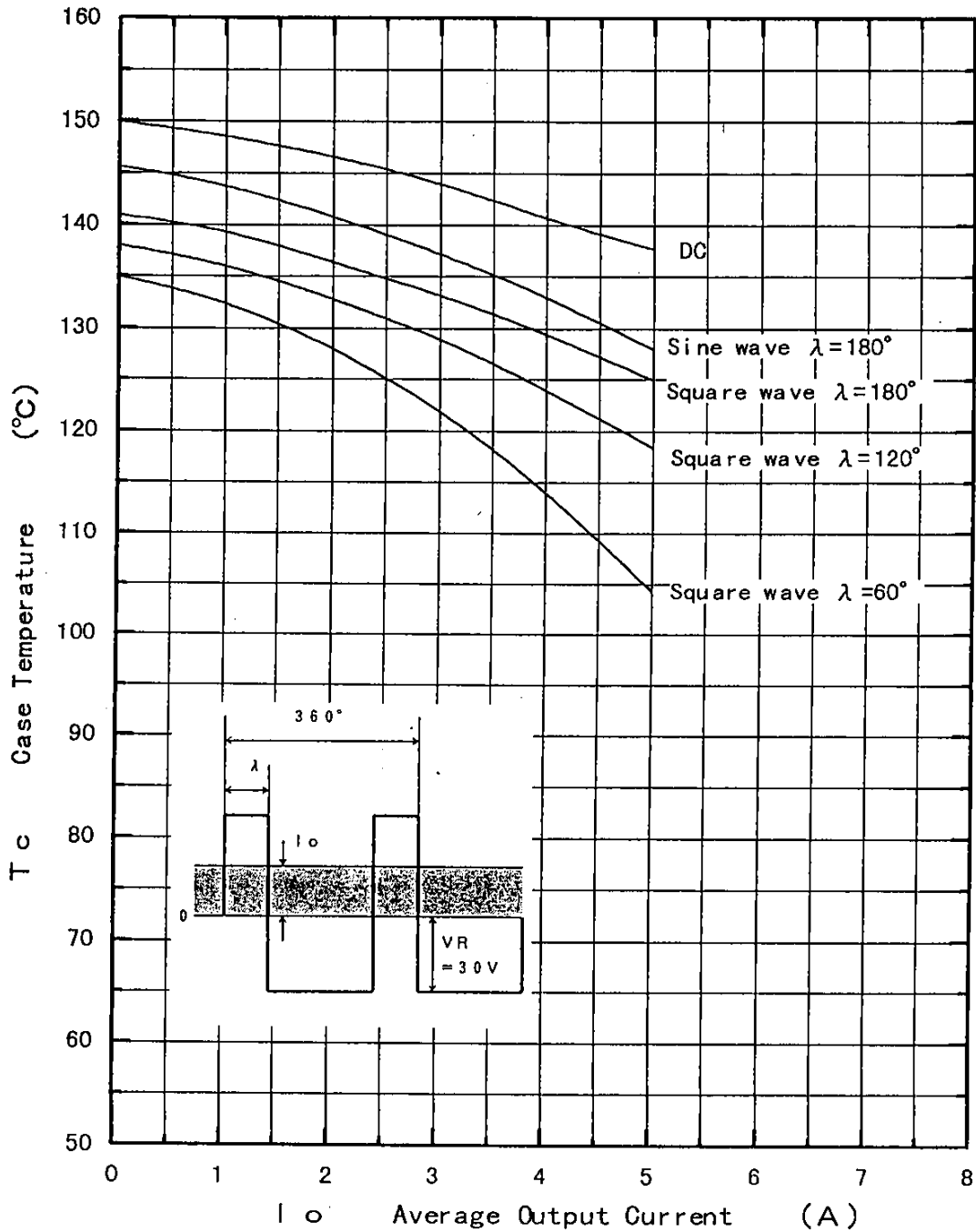
This material and the information herein is the property of Fuji Electric Co., Ltd. They shall be neither reproduced, copied, lent, or disclosed in any way whatsoever for the use of any third party nor used for the manufacturing purposes without the express written consent of Fuji Electric Co., Ltd.

REVISIONS			

	DATE	NAME	APPROVED
DRAWN			
CHECKED			

Fuji Electric Co., Ltd.	
DWG. NO.	

Current Derating ($I_o - T_c$)



λ : Conduction angle of forward current for each rectifier element
 I_o : Output current of center-tap full wave connection

This material and the information herein is the property of Fuji Electric Co., Ltd. They shall be neither reproduced, copied, lent, or disclosed in any way whatsoever for the use of any third party nor used for the manufacturing purposes without the express written consent of Fuji Electric Co., Ltd.

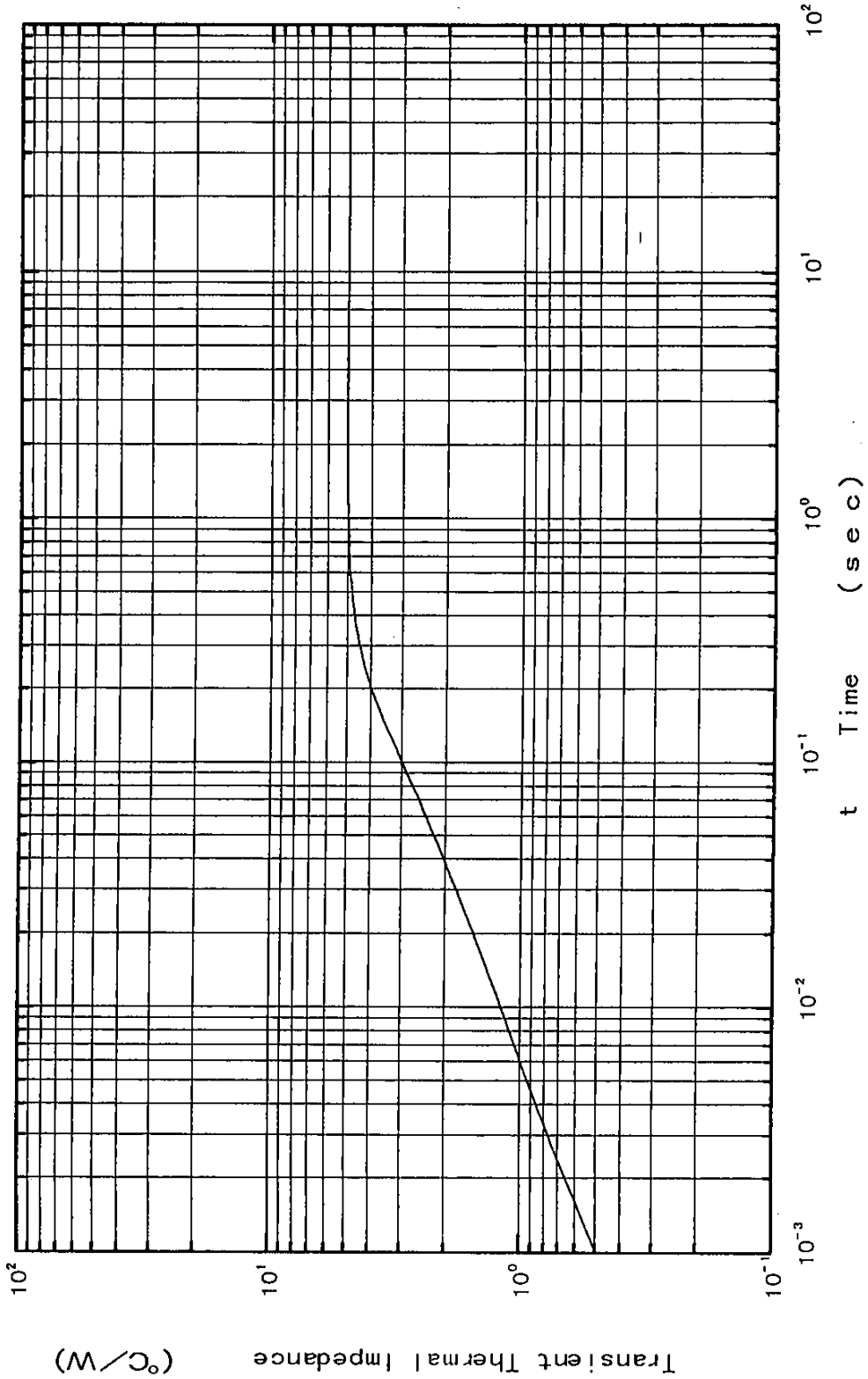
REVISIONS			
CHECKED			
DRAWN			

DATE	NAME	APPROVED

Fuji Electric Co., Ltd.	
DWG. NO.	

This material and the information herein is the property of Fuji Electric Co., Ltd. They shall be neither reproduced, copied, lent, or disclosed in any way whatsoever for the use of any third party nor used for the manufacturing purposes without the express written consent of Fuji Electric Co., Ltd.

Transient Thermal Impedance



REVISIONS				

	DATE	NAME	APPROVED
DRAWN			
CHECKED			

Fuji Electric Co., Ltd.	
DWG. NO.	