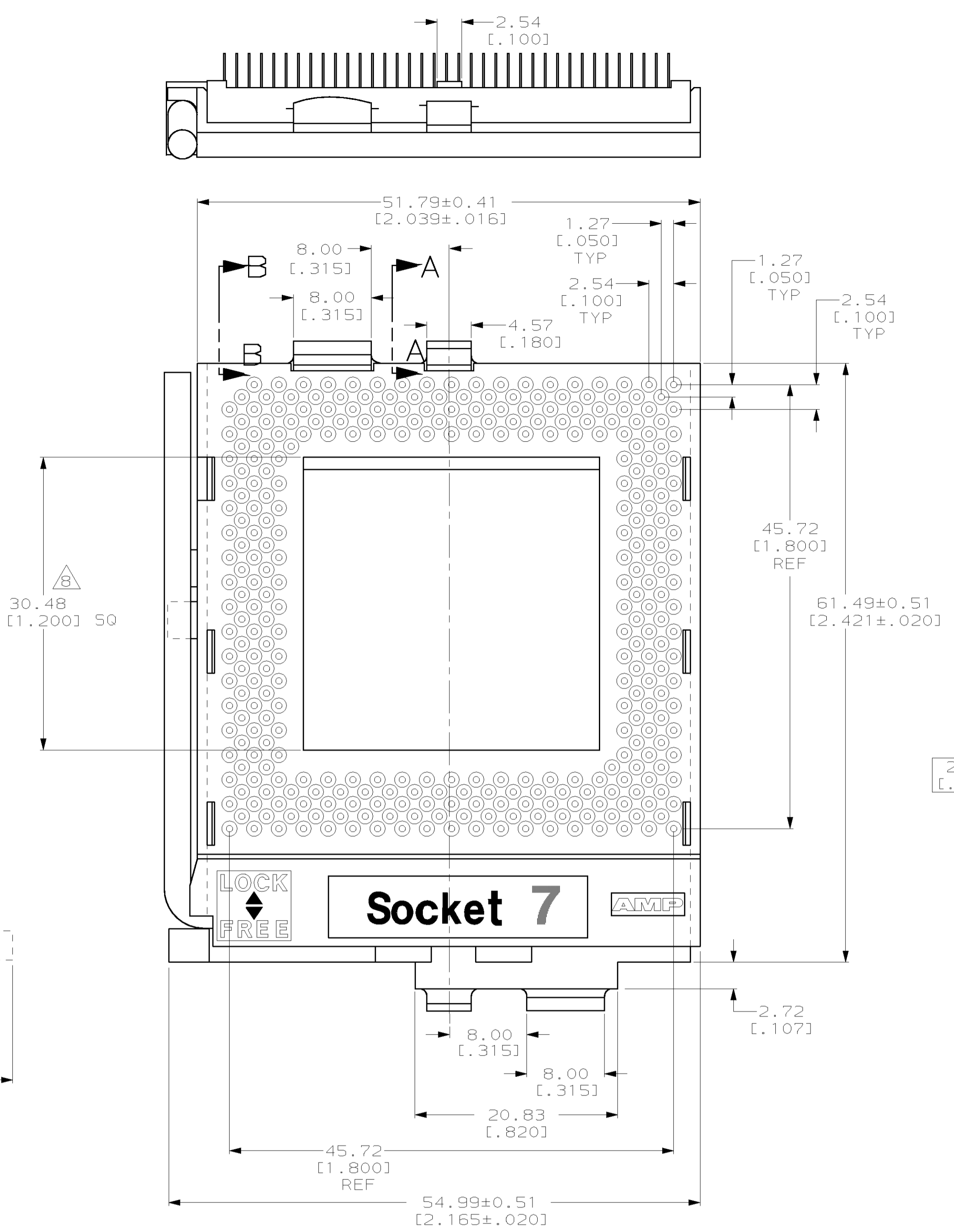
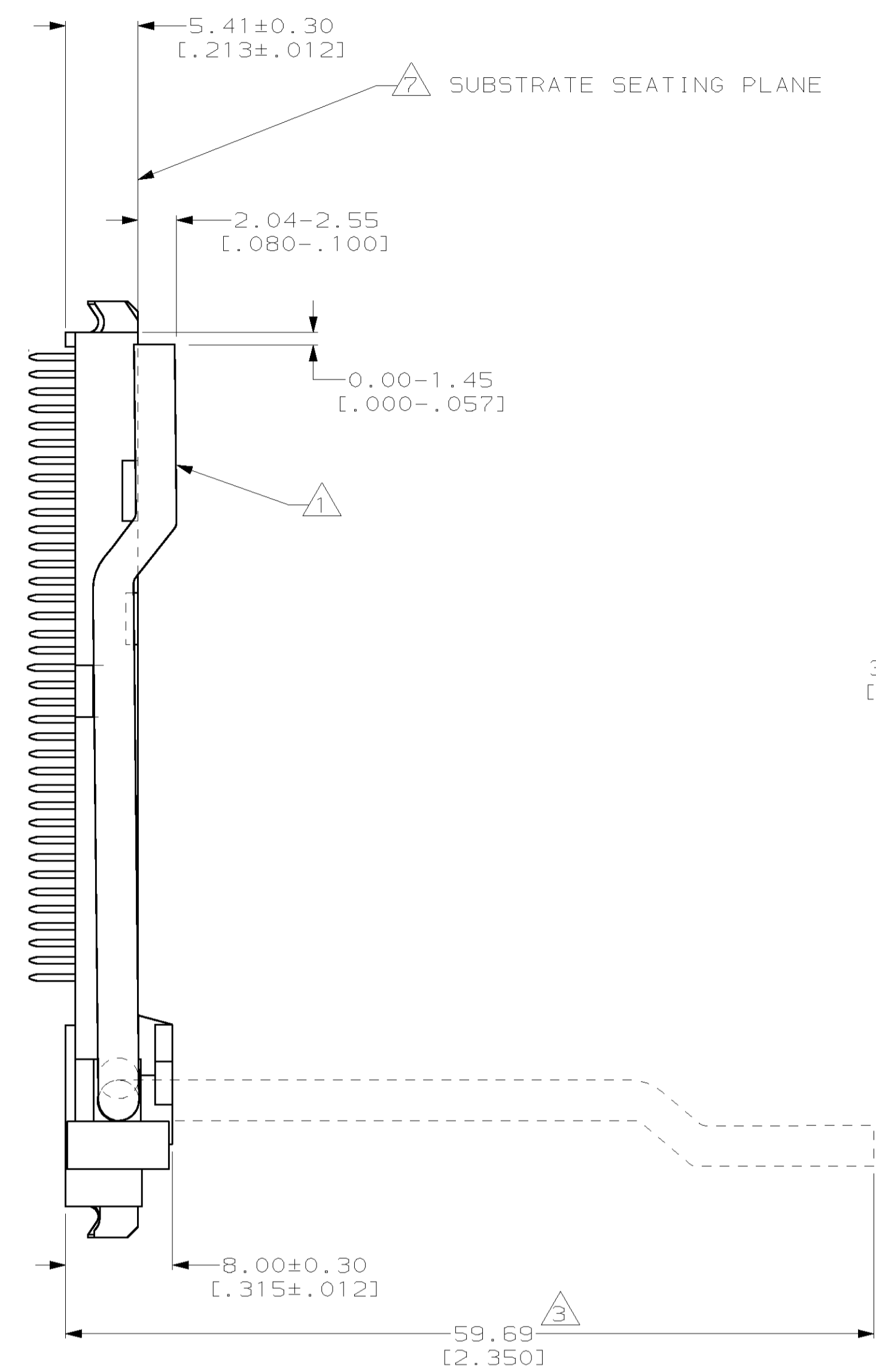
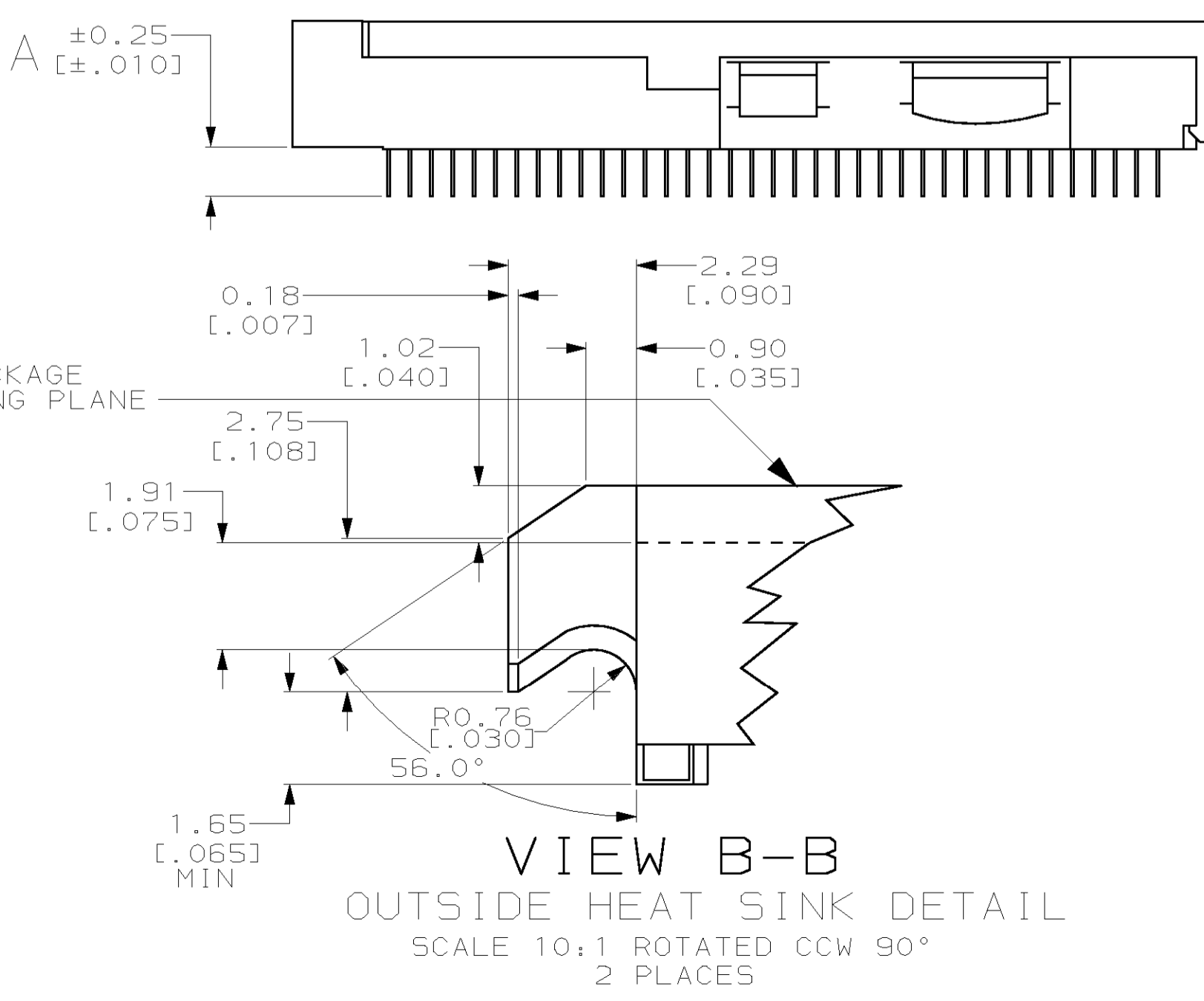
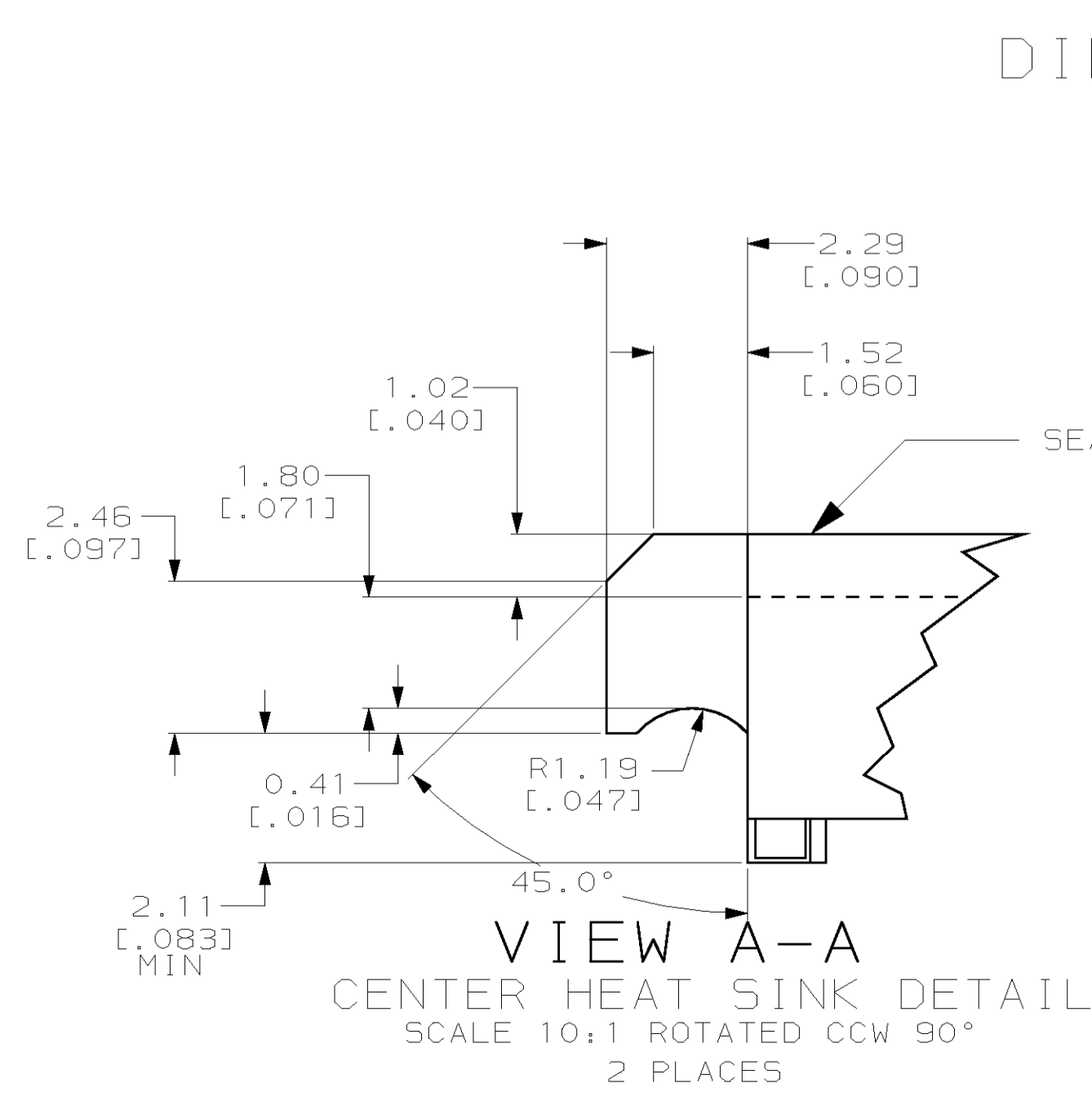
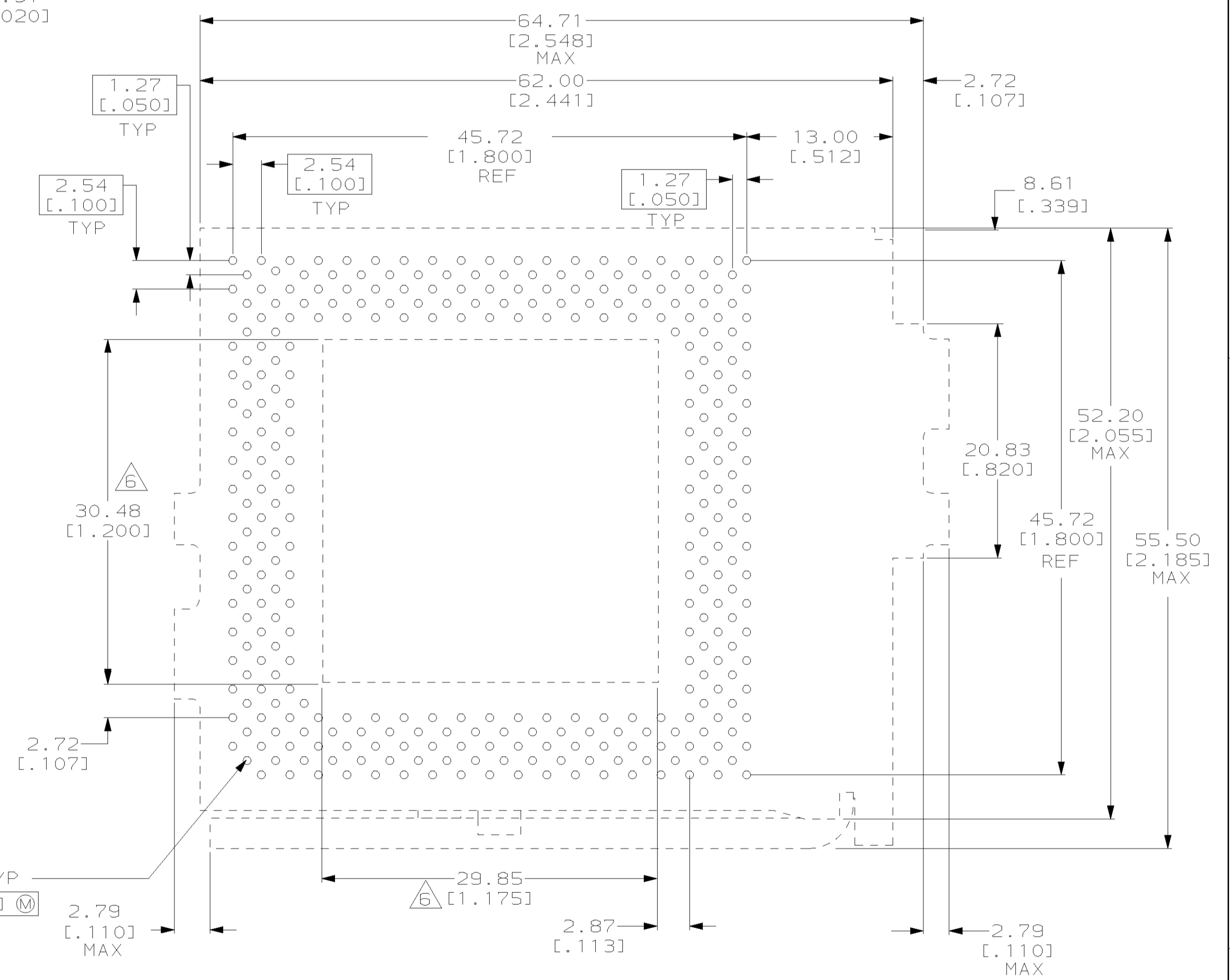


| LOC | DIST | REV | DESCRIPTION              | DATE    | BY | APPROV |
|-----|------|-----|--------------------------|---------|----|--------|
| GP  | 00   |     |                          |         |    |        |
| E   |      |     | REVISED PER 051D-0056-99 | 19OCT00 | AH | BK     |



- ① HANDLE IS SHOWN IN THE 'ON' POSITION
- ② SOCKET WILL ACCEPT ANY P.G.A. PACKAGE WITH A PIN  $\phi 0.46 \pm 0.05$  [ $\phi 0.18 \pm 0.002$ ] AND A LENGTH OF 2.54-3.30 [.100-.130] LOCATED ON TRUE POSITION OF 0.20 [.008]  $\text{M}$
- ③ MAX DIMENSION INCLUDING HANDLE
- ④ MATERIAL; HOUSING AND COVER ARE THERMOPLASTIC. COLOR-NATURAL. CONTACTS ARE COPPER ALLOY. ACTUATOR IS STAINLESS STEEL.
- ⑤ FINISH; CONTACT AREA-0.00076 [.000030] MIN. THICK GOLD OVER 0.00127 [.000050] MIN. THICK NICKEL PLATE. SOLDER TAIL-0.00381 [.000150] MIN. THICK TIN-LEAD OVER 0.00127 [.000050] MIN. THICK NICKEL PLATE. CONTACT AREA SHALL BE FREE OF LUBRICANT.
- ⑥ DIMENSIONS INDICATE MIN. OPEN CENTER THROUGH SOCKET.
- ⑦ SEATING PLANE OF PGA PACKAGE IN SOCKET IS ON CERAMIC SURFACE OF PACKAGE.
- ⑧ DIMENSION INDICATES MIN. HOLE IN COVER OF SOCKET.



| TRAY PACKAGED NUMBER OF SOCKETS PER SHIPPING BOX | DIM A       | POSITION | PART NUMBER |
|--|-------------|----------|-------------|
| 90   | 2.79 [.110] | 321      | 916716-4    |
| 90   | 2.79 [.110] | 321      | 916716-3    |
| 90   | 2.36 [.093] | 321      | 916716-2    |
| 90   | 2.03 [.080] | 321      | 916716-1    |

|                            |  |  |  |  |  |
|----------------------------|--|--|--|--|--|
| DIMENSIONS:<br>mm (INCHES) |  | TOLERANCES UNLESS OTHERWISE SPECIFIED:<br>0 PLC ±<br>1 PLC ±0.30 [.012]<br>2 PLC ±<br>3 PLC ±<br>4 PLC ± |  | DWG: R. TALLEY 7-16-96<br>CHK: A. HOLT 7-16-96<br>APVD: R. KUHNIY 7-16-96<br>NAME: SOCKET ASSY, SINGLE LEVER ZIF, PGA, 19 X 19 GRID, LOW PROFILE, RIGHT HAND |  |
| MATERIAL:                  |  | FINISH:  |  | WEIGHT:  |  |
| CUSTOMER DRAWING           |  | SCALE: 3:1   |  | SHEET 1 OF 1   |  |

AMP Incorporated  
 Harrisburg, PA 17105-3608

AMP logo