

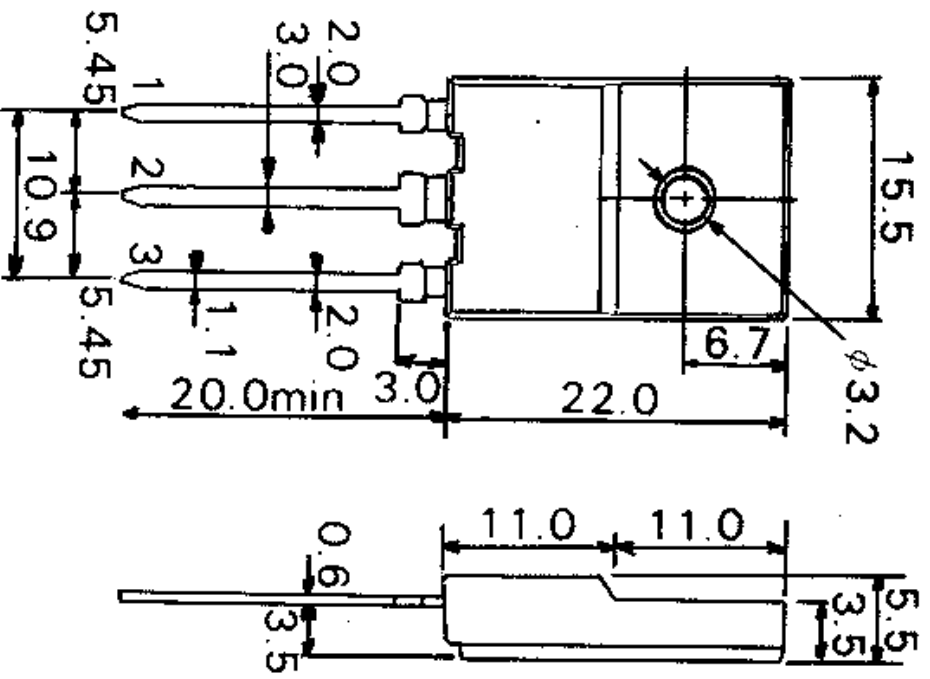
## F-V Series, FREDFET

Diode Recovery Time (150-200 nsec), Improved Turn-On Time

250-500 Volts

Device Type	Maximum Ratings			Characteristics (Max.)						Package
	V <sub>DSS</sub> (V)	I <sub>D</sub> (A)	P <sub>D</sub> (W)	R <sub>DS(ON)</sub> Ω	C <sub>iss</sub> (pf)	C <sub>oss</sub> (pf)	t <sub>on</sub> (ns)	t <sub>off</sub> (ns)	t <sub>rr</sub> (nS)	
2SK1818M	250	20	45	0.20	1600	360	125	450	150	TO220F15
2SK1979	250	20	80	0.20	1600	360	125	450	150	TO3PF
2SK1276	250	20	100	0.20	1600	360	125	450	150	TO3P
2SK1277	250	30	150	0.12	3600	750	260	900	150	TO3P
2SK1819-01M	450	5	35	1.50	750	120	85	245	150	TO220F15
2SK2052	500	10	80	1.10	1600	210	130	440	200	TO3PF
2SK1278	500	10	100	1.10	1600	210	130	440	200	TO3P
2SK1279	500	15	125	0.58	3000	400	195	840	200	TO3P
2SK1280	500	18	150	0.50	3600	450	270	920	200	TO3P

# TO-3PF (Full molded package)



Mounting torque: 4—6kg·cm

- 1: Base
- 2: Collector
- 3: Emitter