

# 2SK3788-01

## N-CHANNEL SILICON POWER MOSFET

### FUJI POWER MOSFET Super FAP-G Series

#### Features

High speed switching, Low on-resistance  
Low driving power, Avalanche-proof  
No secondary breakdown

#### Applications

Switching regulators  
UPS (Uninterruptible Power Supply)  
DC-DC converters

#### Maximum ratings and characteristic

Absolute maximum ratings  
(T<sub>c</sub>=25°C unless otherwise specified)

Item	Symbol	Ratings	Unit	Remarks
Drain-source voltage	V <sub>DS</sub>	150	V	
	V <sub>DSX</sub>	150	V	V <sub>GS</sub> =-30V
Continuous Drain Current	I <sub>D</sub>	92	A	
Pulsed Drain Current	I <sub>D(puls)</sub>	±368	A	
Gate-Source Voltage	V <sub>GS</sub>	±30	V	
Maximum Avalanche current	I <sub>AR</sub>	92	A	Note *1
Non-Repetitive Maximum Avalanche Energy	E <sub>AS</sub>	1205.7	mJ	Note *2
Repetitive Maximum Avalanche Energy	E <sub>AR</sub>	41	mJ	Note *3
Maximum Drain-Source dV/dt	dV <sub>DS</sub> /dt	20	kV/μs	V <sub>DS</sub> ≤ 150V
Peak Diode Recovery dV/dt	dV/dt	5	kV/μs	Note *4
Max. Power Dissipation	P <sub>D</sub>	410	W	T <sub>c</sub> =25°C
		2.50		T <sub>a</sub> =25°C
Operating and Storage Temperature range	T <sub>ch</sub>	+150	°C	
	T <sub>stg</sub>	-55 to +150	°C	

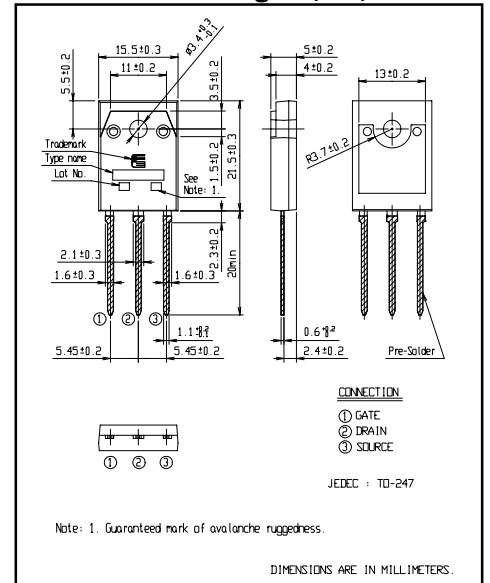
#### Electrical characteristics (T<sub>c</sub> =25°C unless otherwise specified)

Item	Symbol	Test Conditions	Min.	Typ.	Max.	Units
Drain-Source Breakdown Voltage	BV <sub>DSS</sub>	I <sub>D</sub> = 250μA V <sub>GS</sub> =0V	150			V
Gate Threshold Voltage	V <sub>GS(th)</sub>	I <sub>D</sub> = 250μA V <sub>DS</sub> =V <sub>GS</sub>	3.0		5.0	V
Zero Gate Voltage Drain Current	I <sub>DSS</sub>	V <sub>DS</sub> =150V V <sub>GS</sub> =0V			25	μA
		V <sub>DS</sub> =120V V <sub>GS</sub> =0V			250	
Gate-Source Leakage Current	I <sub>GSS</sub>	V <sub>GS</sub> =±30V V <sub>DS</sub> =0V			100	nA
Drain-Source On-State Resistance	R <sub>DS(on)</sub>	I <sub>D</sub> =46A V <sub>GS</sub> =10V		21	26	mΩ
Forward Transconductance	g <sub>fs</sub>	I <sub>D</sub> =46A V <sub>DS</sub> =25V	12	24		S
Input Capacitance	C <sub>iss</sub>	V <sub>DS</sub> =75V		3800	5400	pF
Output Capacitance	C <sub>oss</sub>	V <sub>GS</sub> =0V		530	795	
Reverse Transfer Capacitance	C <sub>rss</sub>	f=1MHz		35	52.5	
Turn-On Time t <sub>on</sub>	td(on)	V <sub>CC</sub> =48V I <sub>D</sub> =46A		40	60	ns
	t <sub>r</sub>	V <sub>GS</sub> =10V		112	168	
Turn-Off Time t <sub>off</sub>	td(off)	R <sub>GS</sub> =10 Ω		56	84	ns
	t <sub>f</sub>			30	45	
Total Gate Charge	Q <sub>G</sub>	V <sub>CC</sub> =75V		80	120	nC
Gate-Source Charge	Q <sub>GS</sub>	I <sub>D</sub> =92A		30	45	
Gate-Drain Charge	Q <sub>GD</sub>	V <sub>GS</sub> =10V		25	38	
Diode forward on-voltage	V <sub>SD</sub>	I <sub>F</sub> =92A V <sub>GS</sub> =0V T <sub>ch</sub> =25°C		1.20	1.50	V
Reverse recovery time	t <sub>rr</sub>	I <sub>F</sub> =92A V <sub>GS</sub> =0V		250		ns
Reverse recovery charge	Q <sub>rr</sub>	-di/dt=100A/μs T <sub>ch</sub> =25°C		2.0		μC

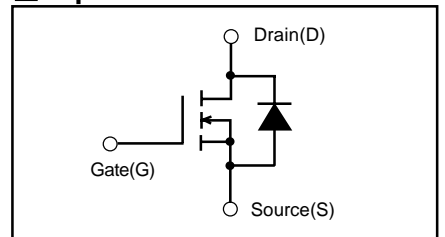
#### Thermal characteristics

Item	Symbol	Test Conditions	Min.	Typ.	Max.	Units
Thermal resistance	R <sub>th(ch-c)</sub>	channel to case			0.305	°C/W
	R <sub>th(ch-a)</sub>	channel to ambient			50.0	°C/W

#### Outline Drawings (mm) 200406



#### Equivalent circuit schematic



Note \*1: T<sub>ch</sub> ≤ 150°C, Repetitive and Non-repetitive

Note \*2: Starting T<sub>ch</sub>=25°C, I<sub>AS</sub>=37A, L=1.29mH,

V<sub>CC</sub>=48V, R<sub>G</sub>=50Ω

EAS limited by maximum channel temperature and avalanche current.

See to the 'Avalanche Energy' graph

Note \*3: Repetitive rating: Pulse width limited by maximum channel temperature.

See to the 'Transient Thermal impedance' graph

Note \*4: I<sub>F</sub> ≤ -I<sub>D</sub>, -di/dt=50A/μs, V<sub>CC</sub> ≤ BV<sub>DSS</sub>, T<sub>ch</sub> ≤ 150°C

## Characteristics

