

74ABT16652 16-Bit Transceivers and Registers with 3-STATE Outputs

General Description

The ABT16652 consists of sixteen bus transceiver circuits with D-type flip-flops, and control circuitry arranged for multiplexed transmission of data directly from the input bus or from the internal registers. Each byte has separate control inputs which can be shorted together for full 16-bit operation. Data on the A or B bus will be clocked into the registers as the appropriate clock pin goes to HIGH logic level. Output Enable pins (OEAB, $\overline{\text{OEBA}}$) are provided to control the transceiver function.

Features

- Independent registers for A and B buses
- Multiplexed real-time and stored data
- Separate control logic for each byte
- A and B output sink capability of 64 mA, source capability of 32 mA
- Guaranteed output skew
- High impedance glitch free bus loading during entire power up and power down cycle
- Nondestructive hot insertion capability

Ordering Code:

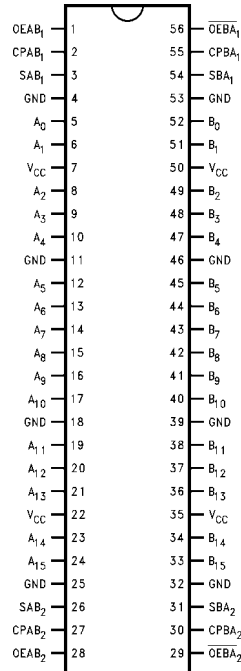
Order Number	Package Number	Package Description
74ABT16652CSSC	MS56A	56-Lead Shrink Small Outline Package (SSOP), JEDEC MO-118, 0.300" Wide
74ABT16652CMTD	MTD56	56-Lead Thin Shrink Small Outline Package (TSSOP), JEDEC MO-153, 6.1mm Wide

Devices also available in Tape and Reel. Specify by appending the suffix letter "X" to the ordering code.

Pin Descriptions

Pin Names	Descriptions
A ₀ -A ₁₆	Data Register A Inputs/ 3-STATE Outputs
B ₀ -B ₁₆	Data Register B Inputs/ 3-STATE Outputs
CPAB _n , CPBA _n	Clock Pulse Inputs
SAB _n , SBA _n	Select Inputs
OEAB _n , $\overline{\text{OEBA}}$ _n	Output Enable Inputs

Connection Diagram



Functional Description

In the transceiver mode, data present at the HIGH impedance port may be stored in either the A or B register or both.

The select (SAB_n, SBA_n) controls can multiplex stored and real-time.

The examples in *Figure 1* demonstrate the four fundamental bus-management functions that can be performed with the ABT16652.

Data on the A or B data bus, or both can be stored in the internal D flip-flop by LOW to HIGH transitions at the appropriate Clock Inputs (CPAB_n, CPBA_n) regardless of the Select or Output Enable Inputs. When SAB and SBA are in the real time transfer mode, it is also possible to store data without using the internal D flip-flops by simultaneously enabling OEAB_n and \overline{OEBA}_n . In this configuration each Output reinforces its Input. Thus when all other data sources to the two sets of bus lines are in a HIGH impedance state, each set of bus lines will remain at its last state.

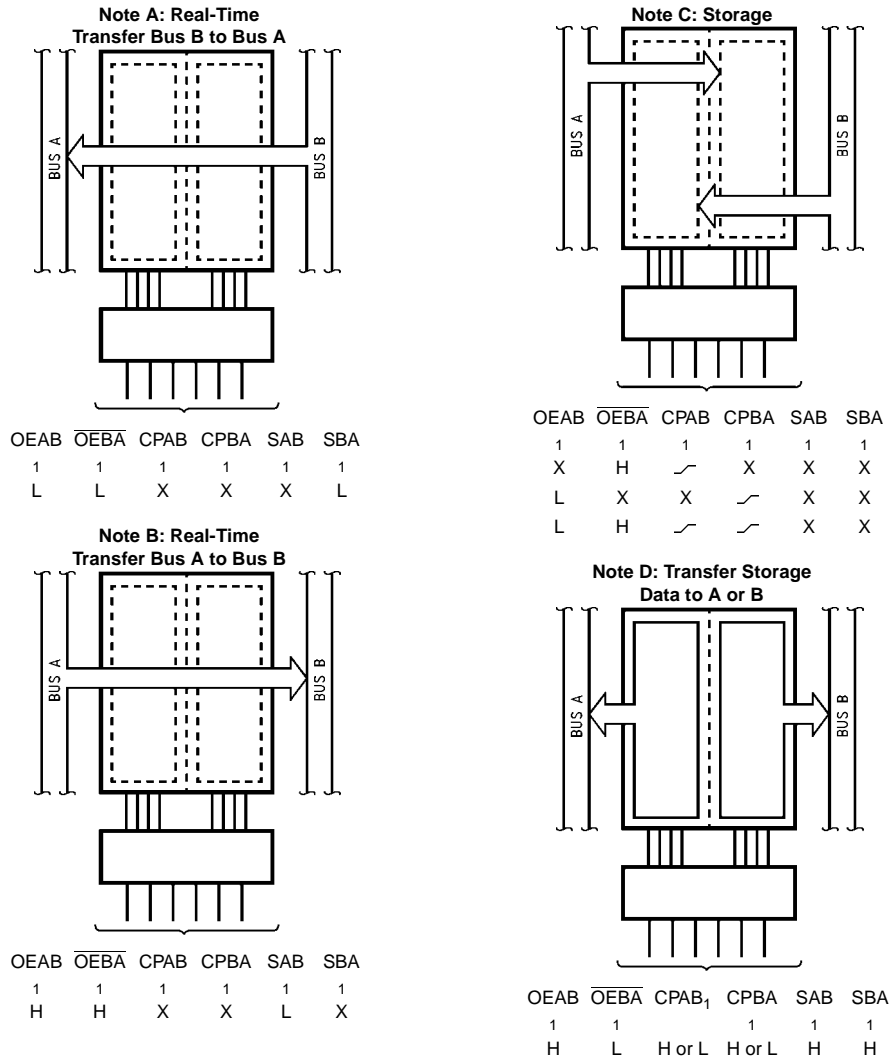


FIGURE 1.

Function Table

Inputs						Inputs/Outputs (Note 1)		Operating Mode
OEAB ₁	$\overline{\text{OEBA}}_1$	CPAB ₁	CPBA ₁	SAB ₁	SBA ₁	A ₀ thru A ₇	B ₀ thru B ₇	
L	H	H or L	H or L	X	X	Input	Input	Isolation
L	H	↗	↗	X	X			Store A and B Data
X	H	↗	H or L	X	X	Input	Not Specified	Store A, Hold B
H	H	↗	↗	X	X	Input	Output	Store A in Both Registers
L	X	H or L	↗	X	X	Not Specified	Input	Hold A, Store B
L	L	↗	↗	X	X	Output	Input	Store B in Both Registers
L	L	X	X	X	L	Output	Input	Real-Time B Data to A Bus
L	L	X	H or L	X	H			Store B Data to A Bus
H	H	X	X	L	X	Input	Output	Real-Time A Data to B Bus
H	H	H or L	X	H	X			Stored A Data to B Bus
H	L	H or L	H or L	H	H	Output	Output	Stored A Data to B Bus and Stored B Data to A Bus

H = HIGH Voltage Level

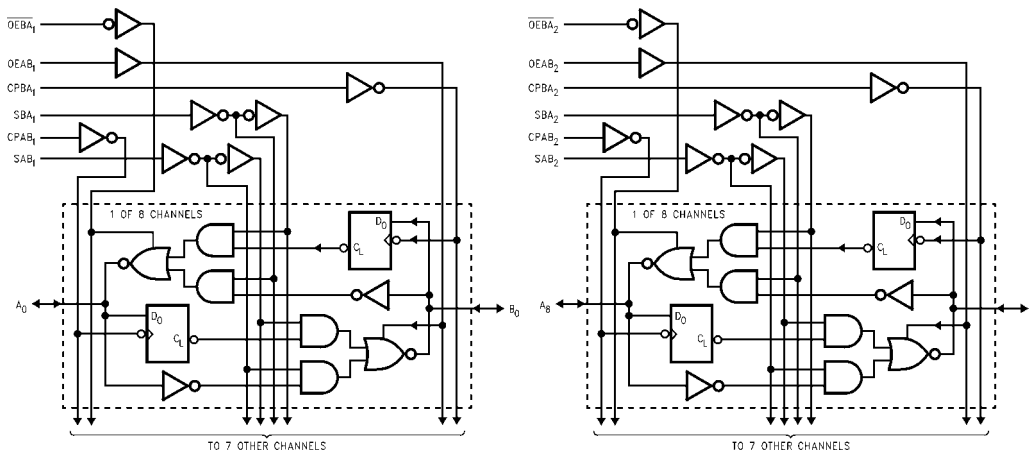
L = LOW Voltage Level

X = Immaterial

↗ = LOW to HIGH Clock Transition

Note 1: The data output functions may be enabled or disabled by various signals at OEAB or $\overline{\text{OEBA}}$ inputs. Data input functions are always enabled, i.e., data at the bus pins will be stored on every LOW to HIGH transition on the clock inputs. This also applies to data I/O (A and B: 8–15) and #2 control pins.

Logic Diagrams



Please note that these diagrams are provided only for the understanding of logic operations and should not be used to estimate propagation delays.

Absolute Maximum Ratings (Note 2)		Over Voltage Latchup (I/O)	10V
Storage Temperature	-65°C to +150°C	Recommended Operating Conditions	Free Air Ambient Temperature
Ambient Temperature under Bias	-55°C to +125°C		Supply Voltage
Junction Temperature under Bias	-55°C to +150°C		Minimum Input Edge Rate ($\Delta V/\Delta t$)
V_{CC} Pin Potential to Ground Pin	-0.5V to +7.0V	Data Input	50 mV/ns
Input Voltage (Note 3)	-0.5V to +7.0V	Enable Input	20 mV/ns
Input Current (Note 3)	-30 mA to +5.0 mA	Clock Input	100 mV/ns
Voltage Applied to Any Output in the Disable or Power-Off State	-0.5V to +5.5V	Note 2: Absolute maximum ratings are values beyond which the device may be damaged or have its useful life impaired. Functional operation under these conditions is not implied.	
Voltage Applied to Any Output in the HIGH State	-0.5V to V_{CC}	Note 3: Either voltage limit or current limit is sufficient to protect inputs.	
Current Applied to Output in LOW State (Max)	twice the rated I_{OL} (mA)		
DC Latchup Source Current	-500 mA		

DC Electrical Characteristics

Symbol	Parameter	Min	Typ	Max	Units	V_{CC}	Conditions
V_{IH}	Input HIGH Voltage				V		Recognized HIGH Signal
V_{IL}	Input LOW Voltage			0.8	V		Recognized LOW Signal
V_{CD}	Input Clamp Diode Voltage			-1.2	V	Min	$I_{IN} = -18$ mA (Non-I/O Pins)
V_{OH}	Output HIGH Voltage	2.5 2.0			V	Min	$I_{OH} = -3$ mA, (A_n, B_n) $I_{OH} = -32$ mA, (A_n, B_n)
V_{OL}	Output LOW Voltage			0.55	V	Min	$I_{OL} = 64$ mA, (A_n, B_n)
V_{ID}	Input Leakage Test				V	0.0	$I_{ID} = 1.9$ μ A, (Non-I/O Pins) All Other Pins Grounded
I_{IH}	Input HIGH Current			1 1	μ A	Max	$V_{IN} = 2.7$ V (Non-I/O Pins) (Note 4) $V_{IN} = V_{CC}$ (Non-I/O Pins)
I_{BVI}	Input HIGH Current Breakdown Test			7	μ A	Max	$V_{IN} = 7.0$ V (Non-I/O Pins)
I_{BVIIT}	Input HIGH Current Breakdown Test (I/O)			100	μ A	Max	$V_{IN} = 5.5$ V (A_n, B_n)
I_{IL}	Input LOW Current			-1 -1	μ A	Max	$V_{IN} = 0.5$ V (Non-I/O Pins) (Note 4) $V_{IN} = 0.0$ V (Non-I/O Pins)
$I_{IH} + I_{OZH}$	Output Leakage Current			10	μ A	0V-5.5V	$V_{OUT} = 2.7$ V (A_n, B_n); $OEAB_n = GND$ and $\overline{OEBA}_n = 2.0$ V
$I_{IL} + I_{OZL}$	Output Leakage Current			-10	μ A	0V-5.5V	$V_{OUT} = 0.5$ V (A_n, B_n); $OEAB_n = GND$ and $\overline{OEBA}_n = 2.0$ V
I_{OS}	Output Short-Circuit Current			-275	mA	Max	$V_{OUT} = 0$ V (A_n, B_n)
I_{CEX}	Output HIGH Leakage Current			50	μ A	Max	$V_{OUT} = V_{CC}$ (A_n, B_n)
I_{ZZ}	Bus Drainage Test			100	μ A	0.0V	$V_{OUT} = 5.5$ V (A_n, B_n); All Others GND
I_{CCH}	Power Supply Current			1.0	mA	Max	All Outputs HIGH
I_{CCL}	Power Supply Current			60	mA	Max	All Outputs LOW
I_{CCZ}	Power Supply Current			1.0	mA	Max	Outputs 3-STATE; All Others at V_{CC} or GND
I_{CCT}	Additional I_{CC} /Input			2.5	mA	Max	$V_I = V_{CC} - 2.1$ V All Others at V_{CC} or GND
I_{CCD}	Dynamic I_{CC} (Note 4)	No Load		0.23	mA/MHz	Max	Outputs Open $OEAB_n, \overline{OEBA}_n$ and $SEL = GND$ Non-I/O = GND or V_{CC} One bit toggling, 50% duty cycle

Note 4: Guaranteed but not tested.

DC Electrical Characteristics							
(SSOP Package)							
Symbol	Parameter	Min	Typ	Max	Units	V _{CC}	Conditions C _L = 50 pF, R _L = 500Ω
V _{OLP}	Quiet Output Maximum Dynamic V _{OL}		0.7	1.2	V	5.0	T _A = 25°C (Note 5)
V _{OLV}	Quiet Output Minimum Dynamic V _{OL}	-1.4	-1.0		V	5.0	T _A = 25°C (Note 5)
V _{OHV}	Minimum HIGH Level Dynamic Output Voltage	2.5	3.0		V	5.0	T _A = 25°C (Note 6)
V _{IHD}	Minimum HIGH Level Dynamic Input Voltage	2.0	1.6		V	5.0	T _A = 25°C (Note 7)
V _{ILD}	Maximum LOW Level Dynamic Input Voltage		1.2	0.8	V	5.0	T _A = 25°C (Note 7)
<p>Note 5: Max number of outputs defined as (n). n – 1 data inputs are driven 0V to 3V. One output at LOW. Guaranteed, but not tested.</p> <p>Note 6: Max number of outputs defined as (n). n – 1 data inputs are driven 0V to 3V. One output HIGH. Guaranteed, but not tested.</p> <p>Note 7: Max number of data inputs (n) switching. n – 1 inputs switching 0V to 3V. Input-under-test switching: 3V to threshold (V_{ILD}), 0V to threshold (V_{IHD}). Guaranteed, but not tested.</p>							
AC Electrical Characteristics							
(SSOP Package)							
Symbol	Parameter	T _A = +25°C V _{CC} = +5.0V C _L = 50 pF			T _A = -40°C to +85°C V _{CC} = 4.5V–5.5V C _L = 50 pF		Units
		Min	Typ	Max	Min	Max	
t _{PLH}	Propagation Delay	1.5	3.0	4.9	1.5	4.9	ns
t _{PHL}	Clock to Bus	1.5	3.4	4.9	1.5	4.9	
t _{PLH}	Propagation Delay	1.5	2.6	4.5	1.5	4.5	ns
t _{PHL}	Bus to Bus	1.5	3.0	4.5	1.5	4.5	
t _{PLH}	Propagation Delay	1.5	2.9	5.0	1.5	5.0	ns
t _{PHL}	SBA _n or SAB _n to A _n to B _n	1.5	3.2	5.0	1.5	5.0	
t _{PZH}	Enable Time	1.5	2.8	5.5	1.5	5.5	ns
t _{PZL}	$\overline{\text{OEBA}}_n$ or OEAB _n to A _n or B _n	1.5	3.0	5.5	1.5	5.5	
t _{PHZ}	Disable Time	1.5	3.9	5.9	1.5	5.9	ns
t _{PLZ}	$\overline{\text{OEBA}}_n$ or OEAB _n to A _n or B _n	1.5	3.3	5.9	1.5	5.9	
AC Operating Requirements							
Symbol	Parameter	T _A = +25°C V _{CC} = +5.0V C _L = 50 pF			T _A = -40°C to +85°C V _{CC} = 4.5V–5.5V C _L = 50 pF		Units
		Min	Typ	Max	Min	Max	
f _{max}	Max Clock Frequency		200				MHz
t _{S(H)}	Setup Time, HIGH	2.0			2.0		ns
t _{S(L)}	or LOW Bus to Clock						
t _{H(H)}	Hold Time, HIGH	1.0			1.0		ns
t _{H(L)}	or LOW Bus to Clock						
t _{W(H)}	Pulse Width, HIGH	3.0			3.0		ns
t _{W(L)}	or LOW						

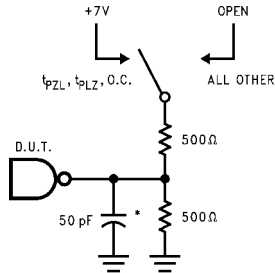
Extended AC Electrical Characteristics								
(SSOP Package)								
Symbol	Parameter	$T_A = -40^\circ\text{C to }+85^\circ\text{C}$ $V_{CC} = 4.5\text{V}-5.5\text{V}$ $C_L = 50\text{ pF}$ 16 Outputs Switching (Note 8)		$T_A = -40^\circ\text{C to }+85^\circ\text{C}$ $V_{CC} = 4.5\text{V}-5.5\text{V}$ $C_L = 250\text{ pF}$ 1 Output Switching (Note 9)		$T_A = -40^\circ\text{C to }+85^\circ\text{C}$ $V_{CC} = 4.5\text{V}-5.5\text{V}$ $C_L = 250\text{ pF}$ 16 Outputs Switching (Note 10)		Units
		Min	Max	Min	Max	Min	Max	
t_{PLH}	Propagation Delay	1.5	5.8	2.0	7.5	2.5	10.0	ns
t_{PHL}	Clock to Bus	1.5	5.8	2.0	7.5	2.5	10.0	ns
t_{PLH}	Propagation Delay	1.5	6.5	2.0	7.0	2.5	9.5	ns
t_{PHL}	Bus to Bus	1.5	6.5	2.0	7.0	2.5	9.5	ns
t_{PLH}	Propagation Delay	1.5	6.0	2.0	7.5	2.5	10.0	ns
t_{PHL}	SBA or SAB to A_n or B_n	1.5	6.0	2.0	7.5	2.5	10.0	ns
t_{PZH}	Output Enable Time	1.5	6.0	2.0	8.0	2.5	10.5	ns
t_{PZL}	$\overline{OE}A_n$ or $OEAB_n$ to A_n or B_n	1.5	6.0	2.0	8.0	2.5	10.5	ns
t_{PHZ}	Output Disable Time	1.5	6.0	(Note 11)		(Note 11)		ns
t_{PLZ}	$\overline{OE}A_n$ or $OEAB_n$ to A_n or B_n	1.5	6.0	(Note 11)		(Note 11)		ns
<p>Note 8: This specification is guaranteed but not tested. The limits apply to propagation delays for all paths described switching in phase (i.e., all LOW-to-HIGH, HIGH-to-LOW, etc.).</p> <p>Note 9: This specification is guaranteed but not tested. The limits represent propagation delay with 250 pF load capacitors in place of the 50 pF load capacitors in the standard AC load. This specification pertains to single output switching only.</p> <p>Note 10: This specification is guaranteed but not tested. The limits represent propagation delays for all paths described switching in phase (i.e., all LOW-to-HIGH, HIGH-to-LOW, etc.) with 250 pF load capacitors in place of the 50 pF load capacitors in the standard AC load.</p> <p>Note 11: The 3-STATE delay times are dominated by the RC network (500Ω, 250 pF) on the output and has been excluded from the datasheet.</p>								
Skew (Note 12)								
(SSOP Package)								
Symbol	Parameter	$T_A = -40^\circ\text{C to }+85^\circ\text{C}$ $V_{CC} = 4.5\text{V}-5.5\text{V}$ $C_L = 50\text{ pF}$ 16 Outputs Switching (Note 12)		$T_A = -40^\circ\text{C to }+85^\circ\text{C}$ $V_{CC} = 4.5\text{V}-5.5\text{V}$ $C_L = 250\text{ pF}$ 16 Outputs Switching (Note 13)				Units
		Max		Max				
t_{OSHL} (Note 14)	Pin to Pin Skew HL Transitions	2.0		2.5				ns
t_{OSLH} (Note 14)	Pin to Pin Skew LH Transitions	2.0		2.5				ns
t_{PS} (Note 15)	Duty Cycle LH-HL Skew	2.0		2.5				ns
t_{OST} (Note 14)	Pin to Pin Skew LH/HL Transitions	2.8		3.0				ns
t_{PV} (Note 16)	Device to Device Skew LH/HL Transitions	3.5		4.0				ns
<p>Note 12: This specification is guaranteed but not tested. The limits apply to propagation delays for all paths described switching in phase (i.e., all LOW-to-HIGH, HIGH-to-LOW, etc.).</p> <p>Note 13: This specification is guaranteed but not tested. The limits represent propagation delays with 250 pF load capacitors in place of the 50 pF load capacitors in the standard AC load.</p> <p>Note 14: Skew is defined as the absolute value of the difference between the actual propagation delays for any two separate outputs of the same device. The specification applies to any outputs switching HIGH to LOW (t_{OSHL}), LOW to HIGH (t_{OSLH}), or any combination switching LOW to HIGH and/or HIGH to LOW (t_{OST}). This specification is guaranteed but not tested.</p> <p>Note 15: This describes the difference between the delay of the LOW-to-HIGH and the HIGH-to-LOW transition on the same pin. It is measured across all the outputs (drivers) on the same chip, the worst (largest delta) number is the guaranteed specification. This specification is guaranteed but not tested.</p> <p>Note 16: Propagation delay variation for a given set of conditions (i.e., temperature and V_{CC}) from device to device. This specification is guaranteed but not tested.</p>								

Capacitance

Symbol	Parameter	Typ	Units	Conditions ($T_A = 25^\circ\text{C}$)
C_{IN}	Input Capacitance	5.0	pF	$V_{CC} = 0\text{V}$ (non I/O pins)
$C_{I/O}$ (Note 17)	I/O Capacitance	11.0	pF	$V_{CC} = 5.0\text{V}$ (A_n, B_n)

Note 17: $C_{I/O}$ is measured at frequency, $f = 1\text{ MHz}$, per MIL-STD-883, Method 3012.

AC Loading



*Includes jig and probe capacitance

FIGURE 2. Standard AC Test Load

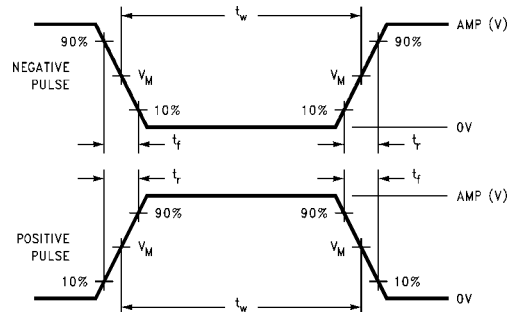


FIGURE 3. Test Input Signal Levels

Input Pulse Requirement

Amplitude	Rep. Rate	t_w	t_r	t_f
3.0V	1 MHz	500 ns	2.5 ns	2.5 ns

FIGURE 4. Test input Signal Requirements

AC Waveforms

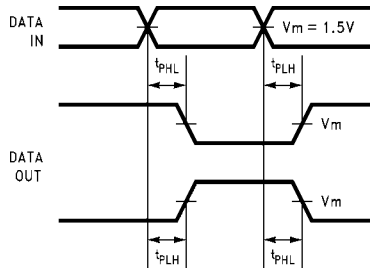


FIGURE 5. Propagation Delay Waveforms for Inverting and Non-Inverting Functions

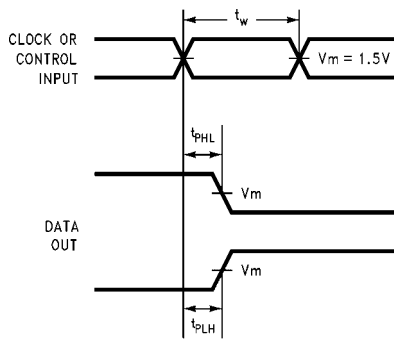


FIGURE 6. Propagation Delay, Pulse Width Waveforms

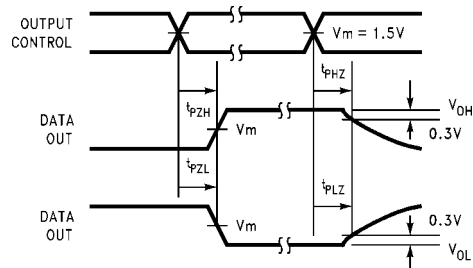


FIGURE 7. 3-STATE Output HIGH and LOW Enable and Disable Times

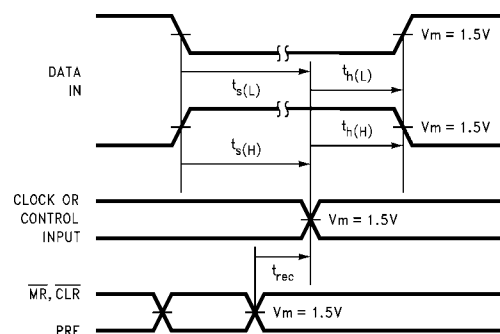
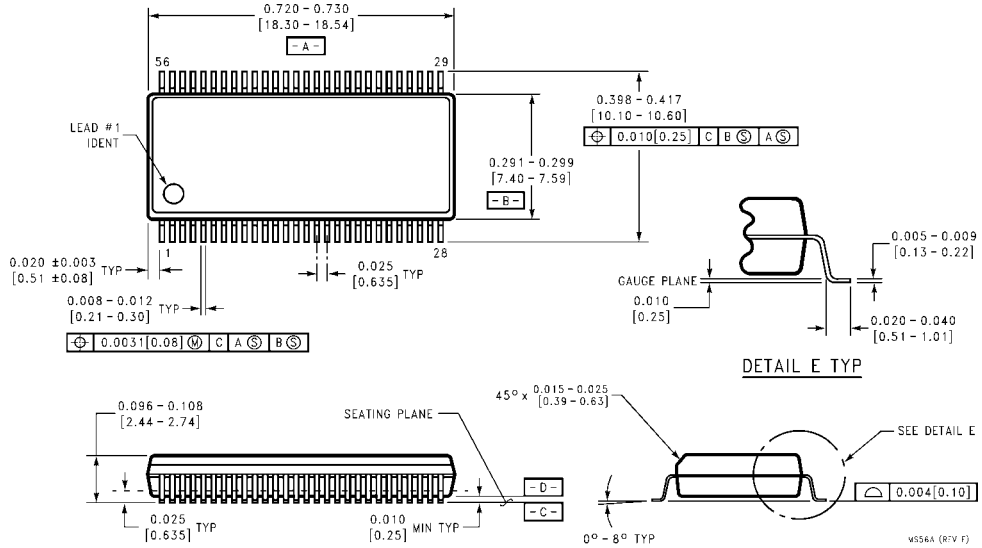


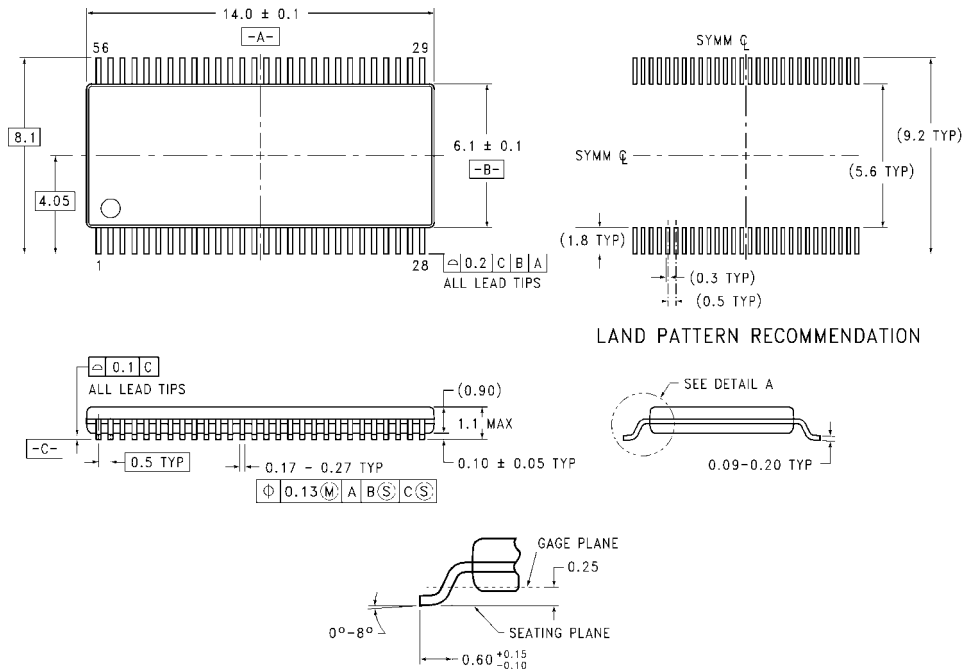
FIGURE 8. Setup Time, Hold Time and Recovery Time Waveforms

Physical Dimensions inches (millimeters) unless otherwise noted



**56-Lead Shrink Small Outline Package (SSOP), JEDEC MO-118, 0.300" Wide
Package Number MS56A**

Physical Dimensions inches (millimeters) unless otherwise noted (Continued)



56-Lead Thin Shrink Small Outline Package (TSSOP), JEDEC MO-153, 6.1mm Wide Package Number MTD56

MTD56 (REV B)

LIFE SUPPORT POLICY

FAIRCHILD'S PRODUCTS ARE NOT AUTHORIZED FOR USE AS CRITICAL COMPONENTS IN LIFE SUPPORT DEVICES OR SYSTEMS WITHOUT THE EXPRESS WRITTEN APPROVAL OF THE PRESIDENT OF FAIRCHILD SEMICONDUCTOR CORPORATION. As used herein:

1. Life support devices or systems are devices or systems which, (a) are intended for surgical implant into the body, or (b) support or sustain life, and (c) whose failure to perform when properly used in accordance with instructions for use provided in the labeling, can be reasonably expected to result in a significant injury to the user.
2. A critical component in any component of a life support device or system whose failure to perform can be reasonably expected to cause the failure of the life support device or system, or to affect its safety or effectiveness.

www.fairchildsemi.com