

74VCX162245

Low Voltage 16-Bit Bidirectional Transceiver with 3.6V Tolerant Inputs and Outputs and 26Ω Series Resistors in A Port Outputs

General Description

The VCX162245 contains sixteen non-inverting bidirectional buffers with 3-STATE outputs and is intended for bus oriented applications. The device is byte controlled. Each byte has separate 3-STATE control inputs which can be shorted together for full 16-bit operation. The T/\bar{R} inputs determine the direction of data flow through the device. The $\bar{O}E$ inputs disable both the A and B ports by placing them in a high impedance state.

The 74VCX162245 is designed for low voltage (1.65V to 3.6V) V_{CC} applications with I/O compatibility up to 3.6V. The 74VCX162245 is also designed with 26Ω series resistance in the A Port outputs. This design reduces line noise in applications such as memory address drivers, clock drivers, and bus transceivers/transmitters.

The 74VCX162245 is fabricated with an advanced CMOS technology to achieve high speed operation while maintaining low CMOS power dissipation.

Features

- 1.65V–3.6V V_{CC} supply operation
- 3.6V tolerant inputs and outputs
- 26Ω series resistors in A port outputs
- t_{PD} (B to A)
 - 3.4 ns max for 3.0V to 3.6V V_{CC}
 - 4.3 ns max for 2.3V to 2.7V V_{CC}
 - 8.6 ns max for 1.65V to 1.95V V_{CC}
- Power-down high impedance inputs and outputs
- Supports live insertion/withdrawal (Note 1)
- Static Drive (I_{OH}/I_{OL} A outputs)
 - ±12 mA @ 3.0V V_{CC}
 - ±8 mA @ 2.3V V_{CC}
 - ±3 mA @ 1.65V V_{CC}
- Uses patented noise/EMI reduction circuitry
- Latchup performance exceeds 300 mA
- ESD performance:
 - Human body model > 2000V
 - Machine model > 200V

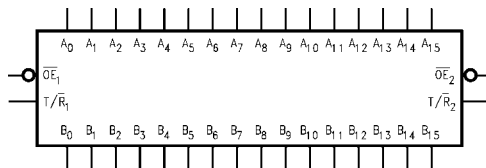
Note 1: To ensure the high-impedance state during power up or power down, $\bar{O}E$ should be tied to V_{CC} through a pull-up resistor; the minimum value of the resistor is determined by the current-sourcing capability of the driver.

Ordering Code:

| Order Number | Package Number | Package Description |
|----------------|----------------|---|
| 74VCX162245MTD | MTD48 | 48-Lead Thin Shrink Small Outline Package (TSSOP), JEDEC MO-153, 6.1mm Wide |

Devices also available in Tape and Reel. Specify by appending the suffix letter "X" to the ordering code.

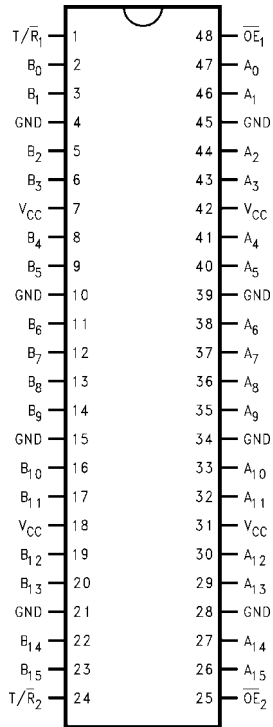
Logic Symbol



Pin Descriptions

| Pin Names | Description |
|------------------|----------------------------------|
| $\bar{O}E_n$ | Output Enable Input |
| T/\bar{R}_n | Transmit/Receive Input |
| A_0 – A_{15} | Side A Inputs or 3-STATE Outputs |
| B_0 – B_{15} | Side B Inputs or 3-STATE Outputs |

Connection Diagram



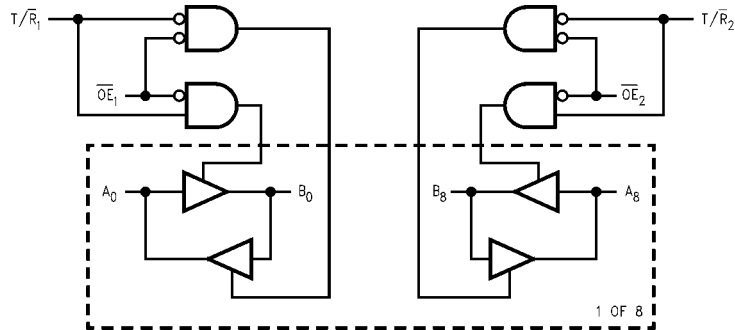
Truth Tables

| Inputs | | Outputs |
|-------------------|--------------------|---|
| $\overline{OE_1}$ | $\overline{T/R_1}$ | |
| L | L | Bus B_0 - B_7 Data to Bus A_0 - A_7 |
| L | H | Bus A_0 - A_7 Data to Bus B_0 - B_7 |
| H | X | HIGH Z State on A_0 - A_7 , B_0 - B_7 |

| Inputs | | Outputs |
|-------------------|--------------------|---|
| $\overline{OE_2}$ | $\overline{T/R_2}$ | |
| L | L | Bus B_8 - B_{15} Data to Bus A_8 - A_{15} |
| L | H | Bus A_8 - A_{15} Data to Bus B_8 - B_{15} |
| H | X | HIGH Z State on A_8 - A_{15} , B_8 - B_{15} |

H = HIGH Voltage Level
 L = LOW Voltage Level
 X = Immaterial (HIGH or LOW, inputs and I/O's may not float)
 Z = High Impedance

Logic Diagram



| Absolute Maximum Ratings (Note 2) | | Input Voltage | -0.3V to 3.6V |
|--|-------------------------|--|----------------|
| Supply Voltage (V_{CC}) | -0.5V to +4.6V | Output Voltage (V_O) | |
| DC Input Voltage (V_I) | -0.5V to +4.6V | Output in Active States | 0V to V_{CC} |
| Output Voltage (V_O) | | Output in 3-STATE | 0.0V to 3.6V |
| Outputs 3-State | -0.5V to +4.6V | Output Current in I_{OH}/I_{OL} -A Outputs | |
| Outputs Active (Note 3) | -0.5 to $V_{CC} + 0.5V$ | $V_{CC} = 3.0V$ to 3.6V | ± 12 mA |
| DC Input Diode Current (I_{IK}) $V_I < 0V$ | -50 mA | $V_{CC} = 2.3V$ to 2.7V | ± 8 mA |
| DC Output Diode Current (I_{OK}) | | $V_{CC} = 1.65V$ to 1.95V | ± 3 mA |
| $V_O < 0V$ | -50 mA | Output Current in $\pm I_{OH}/I_{OL}$ -B Outputs | |
| $V_O > V_{CC}$ | +50 mA | $V_{CC} = 3.0V$ to 3.6V | ± 24 mA |
| DC Output Source/Sink Current (I_{OH}/I_{OL}) | ± 50 mA | $V_{CC} = 2.3V$ to 2.7V | ± 18 mA |
| DC V_{CC} or Ground Current per Supply Pin (I_{CC} or Ground) | ± 100 mA | $V_{CC} = 1.65V$ to 2.3V | ± 6 mA |
| Storage Temperature Range (T_{STG}) | -65°C to +150°C | Free Air Operating Temperature (T_A) | -40°C to +85°C |
| | | Minimum Input Edge Rate ($\Delta t/\Delta V$) | |
| | | $V_{IN} = 0.8V$ to 2.0V, $V_{CC} = 3.0V$ | 10 ns/V |

Note 2: The "Absolute Maximum Ratings" are those values beyond which the safety of the device cannot be guaranteed. The device should not be operated at these limits. The parametric values defined in the Electrical Characteristics tables are not guaranteed at the Absolute Maximum Ratings. The Recommended Operating Conditions tables will define the conditions for actual device operation.

Note 3: I_O Absolute Maximum Rating must be observed.

Note 4: Floating or unused pins (inputs or I/O's) must be held HIGH or LOW.

| Recommended Operating Conditions (Note 4) | |
|--|---------------|
| Power Supply | |
| Operating | 1.65V to 3.6V |
| Data Retention Only | 1.2V to 3.6V |

DC Electrical Characteristics (2.7V < V_{CC} ≤ 3.6V)

| Symbol | Parameter | Conditions | V_{CC} (V) | Min | Max | Units |
|-----------------|--|---|--------------|----------------|-----------|---------|
| V_{IH} | HIGH Level Input Voltage | | 2.7-3.6 | 2.0 | | V |
| V_{IL} | LOW Level Input Voltage | | 2.7-3.6 | | 0.8 | V |
| V_{OH} | HIGH Level Output Voltage A Outputs | $I_{OH} = -100 \mu A$ | 2.7-3.6 | $V_{CC} - 0.2$ | | V |
| | | $I_{OH} = -6$ mA | 2.7 | 2.2 | | |
| | | $I_{OH} = -8$ mA | 3.0 | 2.4 | | |
| | | $I_{OH} = -12$ mA | 3.0 | 2.2 | | |
| V_{OL} | HIGH Level Output Voltage B Outputs | $I_{OH} = -100 \mu A$ | 2.7-3.6 | $V_{CC} - 0.2$ | | V |
| | | $I_{OH} = -12$ mA | 2.7 | 2.2 | | |
| | | $I_{OH} = -18$ mA | 3.0 | 2.4 | | |
| | | $I_{OH} = -24$ mA | 3.0 | 2.2 | | |
| V_{OL} | LOW Level Output Voltage A Outputs | $I_{OL} = 100 \mu A$ | 2.7-3.6 | | 0.2 | V |
| | | $I_{OL} = 6$ mA | 2.7 | 0.4 | | |
| | | $I_{OL} = 8$ mA | 3.0 | 0.55 | | |
| | | $I_{OL} = 12$ mA | 3.0 | 0.8 | | |
| V_{OL} | LOW Level Output Voltage B Outputs | $I_{OL} = 100 \mu A$ | 2.7-3.6 | | 0.2 | V |
| | | $I_{OL} = 12$ mA | 2.7 | 0.4 | | |
| | | $I_{OL} = 18$ mA | 3.0 | 0.4 | | |
| | | $I_{OL} = 24$ mA | 3.0 | 0.55 | | |
| I_I | Input Leakage Current | $0V \leq V_I \leq 3.6V$ | 2.7-3.6 | | ± 5.0 | μA |
| I_{OZ} | 3-STATE Output Leakage | $0V \leq V_O \leq 3.6V$ $V_I = V_{IH}$ or V_{IL} | 2.7-3.6 | | ± 10 | μA |
| I_{OFF} | Power Off Leakage Current | $0V \leq (V_I, V_O) \leq 3.6V$ | 0 | | 10 | μA |
| I_{CC} | Quiescent Supply Current | $V_I = V_{CC}$ or GND | 2.7-3.6 | | 20 | μA |
| | | $V_{CC} \leq (V_I, V_O) \leq 3.6V$ (Note 5) | 2.7-3.6 | | ± 20 | |
| ΔI_{CC} | Increase in I_{CC} per Input | $V_{IH} = V_{CC} - 0.6V$ | 2.7-3.6 | | 750 | μA |

Note 5: Outputs disabled or 3-STATE only.

| DC Electrical Characteristics ($2.3V \leq V_{CC} \leq 2.7V$) | | | | | | |
|--|--|--|---------------------|------------------------|------------------------|-------|
| Symbol | Parameter | Conditions | V _{CC} (V) | Min | Max | Units |
| V _{IH} | HIGH Level Input Voltage | | 2.3-2.7 | 1.6 | | V |
| V _{IL} | LOW Level Input Voltage | | 2.3-2.7 | | 0.7 | V |
| V _{OH} | HIGH Level Output Voltage A Outputs | I _{OH} = -100 μA | 2.3-2.7 | V _{CC} - 0.2 | | V |
| | | I _{OH} = -4 mA | 2.3 | 2.0 | | |
| | | I _{OH} = -6 mA | 2.3 | 1.8 | | |
| | | I _{OH} = -8 mA | 2.3 | 1.7 | | |
| V _{OH} | HIGH Level Output Voltage B Outputs | I _{OH} = -100 μA | 2.3-2.7 | V _{CC} - 0.2 | | V |
| | | I _{OH} = -6 mA | 2.3 | 2.0 | | |
| | | I _{OH} = -12 mA | 2.3 | 1.8 | | |
| | | I _{OH} = -18 mA | 2.3 | 1.7 | | |
| V _{OL} | LOW Level Output Voltage A Outputs | I _{OL} = 100 μA | 2.3-2.7 | | 0.2 | V |
| | | I _{OL} = 6 mA | 2.3 | | 0.4 | |
| | | I _{OL} = 8 mA | 2.3 | | 0.6 | |
| V _{OL} | LOW Level Output Voltage B Outputs | I _{OL} = 100 μA | 2.3-2.7 | | 0.2 | V |
| | | I _{OL} = 12 mA | 2.3 | | 0.4 | |
| | | I _{OL} = 18 mA | 2.3 | | 0.6 | |
| I _I | Input Leakage Current | 0 ≤ V _I ≤ 3.6V | 2.3-2.7 | | ±5.0 | μA |
| I _{OZ} | 3-STATE Output Leakage | 0 ≤ V _O ≤ 3.6V V _I = V _{IH} or V _{IL} | 2.3-2.7 | | ±10 | μA |
| I _{OFF} | Power Off Leakage Current | 0 ≤ (V _I , V _O) ≤ 3.6V | 0 | | 10 | μA |
| I _{CC} | Quiescent Supply Current | V _I = V _{CC} or GND | 2.3-2.7 | | 20 | μA |
| | | V _{CC} ≤ (V _I , V _O) ≤ 3.6V (Note 6) | 2.3-2.7 | | ±20 | |
| Note 6: Outputs disabled or 3-STATE only. | | | | | | |
| DC Electrical Characteristics ($1.65V \leq V_{CC} < 2.3V$) | | | | | | |
| Symbol | Parameter | Conditions | V _{CC} (V) | Min | Max | Units |
| V _{IH} | HIGH Level Input Voltage | | 1.65-2.3 | 0.65 × V _{CC} | | V |
| V _{IL} | LOW Level Input Voltage | | 1.65-2.3 | | 0.35 × V _{CC} | V |
| V _{OH} | HIGH Level Output Voltage A Outputs | I _{OH} = -100 μA | 1.65-2.3 | V _{CC} - 0.2 | | V |
| | | I _{OH} = -3 mA | 1.65 | 1.4 | | |
| V _{OH} | HIGH Level Output Voltage B Outputs | I _{OH} = -100 μA | 1.65-2.3 | V _{CC} - 0.2 | | V |
| | | I _{OH} = -6 mA | 1.65 | 1.25 | | |
| V _{OL} | LOW Level Output Voltage A Outputs | I _{OL} = 100 μA | 1.65-2.3 | | 0.2 | V |
| | | I _{OL} = 3 mA | 1.65 | | 0.3 | |
| V _{OL} | LOW Level Output Voltage B Outputs | I _{OL} = 100 μA | 1.65-2.3 | | 0.2 | V |
| | | I _{OL} = 6 mA | 1.65 | | 0.3 | |
| I _I | Input Leakage Current | 0 ≤ V _I ≤ 3.6V | 1.65-2.3 | | ±5.0 | μA |
| I _{OZ} | 3-STATE Output Leakage | 0 ≤ V _O ≤ 3.6V V _I = V _{IH} or V _{IL} | 1.65-2.3 | | ±10 | μA |
| I _{OFF} | Power Off Leakage Current | 0 ≤ (V _I , V _O) ≤ 3.6V | 0 | | 10 | μA |
| I _{CC} | Quiescent Supply Current | V _I = V _{CC} or GND | 1.65-2.3 | | 20 | μA |
| | | V _{CC} ≤ (V _I , V _O) ≤ 3.6V (Note 7) | 1.65-2.3 | | ±20 | |
| Note 7: Outputs disabled or 3-STATE only. | | | | | | |

| AC Electrical Characteristics (Note 8) | | | | | | | | |
|--|-----------------------------|---|-----|-------------------------|-----|--------------------------|------|-------|
| Symbol | Parameter | $T_A = -40^\circ\text{C to } +85^\circ\text{C}, C_L = 30 \text{ pF}, R_L = 500\Omega$ | | | | | | Units |
| | | $V_{CC} = 3.3V \pm 0.3V$ | | $V_{CC} = 2.5 \pm 0.2V$ | | $V_{CC} = 1.8V \pm 0.15$ | | |
| | | Min | Max | Min | Max | Min | Max | |
| t_{PHL}, t_{PLH} | Prop Delay, A to B | 0.8 | 2.5 | 1.0 | 3.0 | 1.5 | 6.0 | ns |
| t_{PHL}, t_{PLH} | Prop Delay, B to A | 0.8 | 3.4 | 1.0 | 4.3 | 1.5 | 8.6 | ns |
| t_{PZL}, t_{PZH} | Output Enable Time, A to B | 0.8 | 3.8 | 1.0 | 4.9 | 1.5 | 9.3 | ns |
| t_{PZL}, t_{PZH} | Output Enable Time, B to A | 0.8 | 4.2 | 1.0 | 5.7 | 1.5 | 9.8 | ns |
| t_{PLZ}, t_{PHZ} | Output Disable Time, A to B | 0.8 | 3.7 | 1.0 | 4.2 | 1.5 | 7.6 | ns |
| t_{PLZ}, t_{PHZ} | Output Disable Time, B to A | 0.8 | 4.1 | 1.0 | 4.8 | 1.5 | 8.6 | ns |
| t_{OSHL} | Output to Output | | 0.5 | | 0.5 | | 0.75 | ns |
| t_{OSLH} | Skew (Note 9) | | | | | | | |

Note 8: For $C_L = 50\text{pF}$, add approximately 300ps to the AC maximum specification.

Note 9: Skew is defined as the absolute value of the difference between the actual propagation delay for any two separate outputs of the same device. The specification applies to any outputs switching in the same direction, either HIGH-to-LOW (t_{OSHL}) or LOW-to-HIGH (t_{OSLH}).

Dynamic Switching Characteristics

| Symbol | Parameter | Conditions | V_{CC} (V) | $T_A = +25^\circ\text{C}$ | Units |
|-----------|---|---|-------------------|---------------------------|-------|
| | | | | Typical | |
| V_{OLP} | Quiet Output Dynamic Peak V_{OL} , A to B | $C_L = 30 \text{ pF}, V_{IH} = V_{CC}, V_{IL} = 0V$ | 1.8 2.5 3.3 | 0.25 0.6 0.8 | V |
| V_{OLP} | Quiet Output Dynamic Peak V_{OL} , B to A | $C_L = 30 \text{ pF}, V_{IH} = V_{CC}, V_{IL} = 0V$ | 1.8 2.5 3.3 | 0.15 0.25 0.35 | V |
| V_{OLV} | Quiet Output Dynamic Valley V_{OL} , A to B | $C_L = 30 \text{ pF}, V_{IH} = V_{CC}, V_{IL} = 0V$ | 1.8 2.5 3.3 | -0.25 -0.6 -0.8 | V |
| V_{OLV} | Quiet Output Dynamic Valley V_{OL} , B to A | $C_L = 30 \text{ pF}, V_{IH} = V_{CC}, V_{IL} = 0V$ | 1.8 2.5 3.3 | 0.15 -0.25 -0.35 | V |
| V_{OHV} | Quiet Output Dynamic Valley V_{OH} , A to B | $C_L = 30 \text{ pF}, V_{IH} = V_{CC}, V_{IL} = 0V$ | 1.8 2.5 3.3 | 1.5 1.9 2.2 | V |
| V_{OHV} | Quiet Output Dynamic Valley V_{OH} , B to A | $C_L = 30 \text{ pF}, V_{IH} = V_{CC}, V_{IL} = 0V$ | 1.8 2.5 3.3 | 1.55 2.05 2.65 | V |

Capacitance

| Symbol | Parameter | Conditions | $T_A = +25^\circ\text{C}$ | Units |
|----------|-------------------------------|---|---------------------------|-------|
| C_{IN} | Input Capacitance | $V_{CC} = 1.8V, 2.5V, \text{ or } 3.3V, V_I = 0V \text{ or } V_{CC}$ | 6 | pF |
| C_{IO} | Output Capacitance | $V_I = 0V, \text{ or } V_{CC}, V_{CC} = 1.8V, 2.5V \text{ or } 3.3V$ | 7 | pF |
| C_{PD} | Power Dissipation Capacitance | $V_I = 0V \text{ or } V_{CC}, f = 10 \text{ MHz}$ $V_{CC} = 1.8V, 2.5V \text{ or } 3.3V$ | 20 | pF |

AC Loading and Waveforms

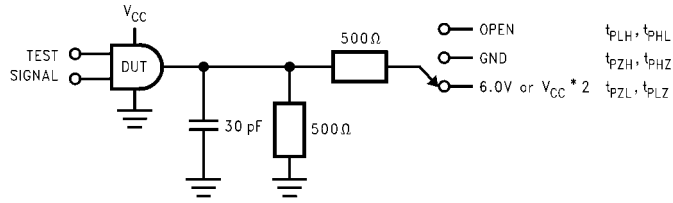


FIGURE 1. AC Test Circuit

| TEST | SWITCH |
|--------------------|---|
| t_{PLH}, t_{PHL} | Open |
| t_{PZL}, t_{PLZ} | 6V at $V_{CC} = 3.3 \pm 0.3V$; $V_{CC} \times 2$ at $V_{CC} = 2.5 \pm 0.2V; 1.8V \pm 0.15V$ |
| t_{PZH}, t_{PHZ} | GND |

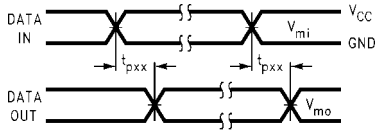


FIGURE 2. Waveform for Inverting and Non-inverting Functions

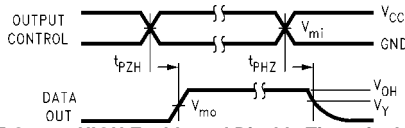


FIGURE 3. 3-STATE Output HIGH Enable and Disable Times for LOW Voltage Logic

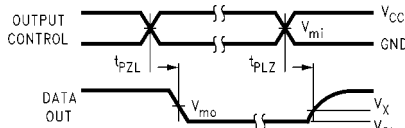
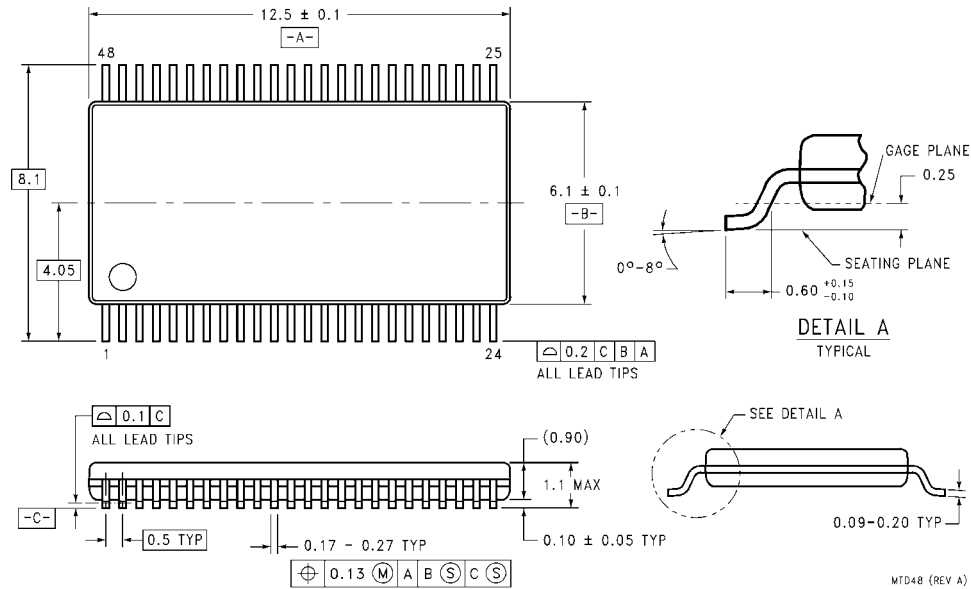


FIGURE 4. 3-STATE Output LOW Enable and Disable Times for LOW Voltage Logic

| Symbol | V_{CC} | | |
|----------|-----------------|------------------|------------------|
| | $3.3V \pm 0.3V$ | $2.5V \pm 0.2V$ | $1.8V \pm 0.15V$ |
| V_{mi} | 1.5V | $V_{CC}/2$ | $V_{CC}/2$ |
| V_{mo} | 1.5V | $V_{CC}/2$ | $V_{CC}/2$ |
| V_X | $V_{OL} + 0.3V$ | $V_{OL} + 0.15V$ | $V_{OL} + 0.15V$ |
| V_Y | $V_{OH} - 0.3V$ | $V_{OH} - 0.15V$ | $V_{OH} - 0.15V$ |

Physical Dimensions inches (millimeters) unless otherwise noted



**48-Lead Thin Shrink Small Outline Package (TSSOP), JEDEC MO-153, 6.1mm Wide
Package Number MTD48**

MTD48 (REV A)

LIFE SUPPORT POLICY

FAIRCHILD'S PRODUCTS ARE NOT AUTHORIZED FOR USE AS CRITICAL COMPONENTS IN LIFE SUPPORT DEVICES OR SYSTEMS WITHOUT THE EXPRESS WRITTEN APPROVAL OF THE PRESIDENT OF FAIRCHILD SEMICONDUCTOR CORPORATION. As used herein:

1. Life support devices or systems are devices or systems which, (a) are intended for surgical implant into the body, or (b) support or sustain life, and (c) whose failure to perform when properly used in accordance with instructions for use provided in the labeling, can be reasonably expected to result in a significant injury to the user.
2. A critical component in any component of a life support device or system whose failure to perform can be reasonably expected to cause the failure of the life support device or system, or to affect its safety or effectiveness.

www.fairchildsemi.com