

AN5532

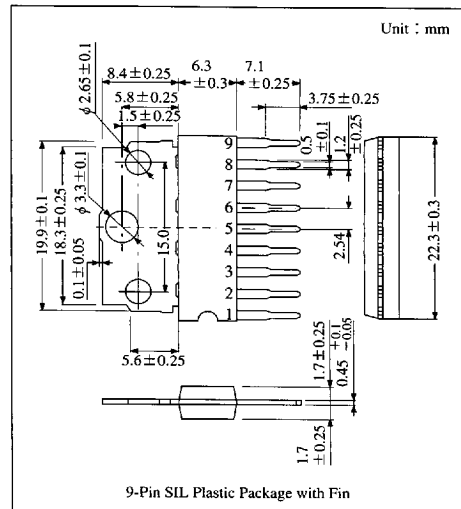
TV Vertical Deflection Output IC

■ Overview

The AN5532 is an integrated circuit designed for TV vertical deflection output circuit. Combining with the deflection signal processing IC, the vertical output circuit design becomes easy.

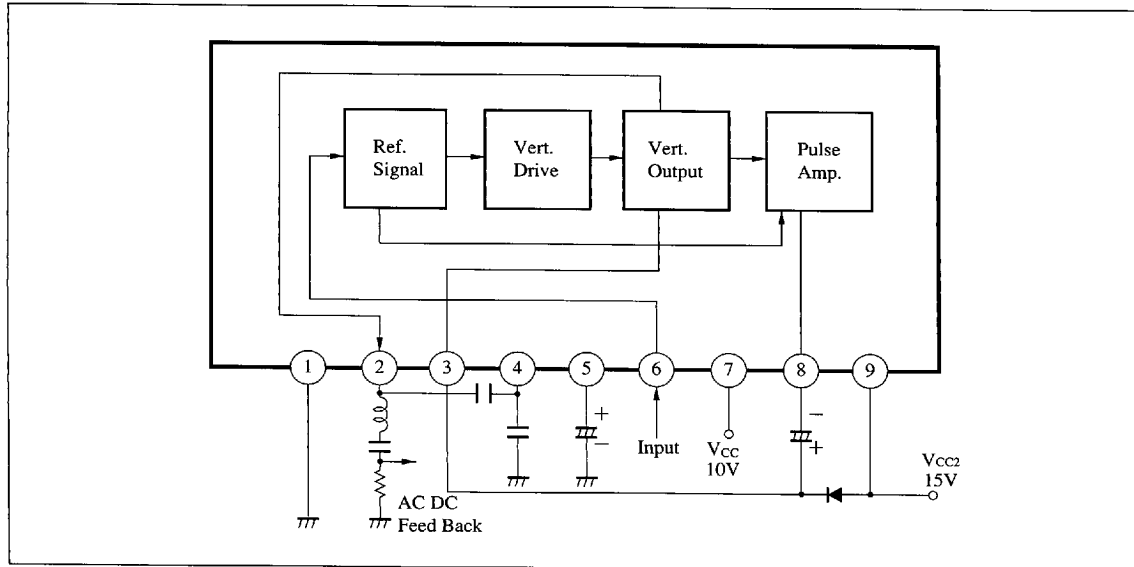
■ Features

- Low power consumption, direct deflection-coil driving capability (Flyback voltage of two times supply voltage is supplied during flyback period only)
- Built-in comparator in input stage
- Supply voltage range : 12 to 24V



ICs for TV

■ Block Diagram



6932852 0014340 812

Panasonic