

# AN78MxxNSP Series

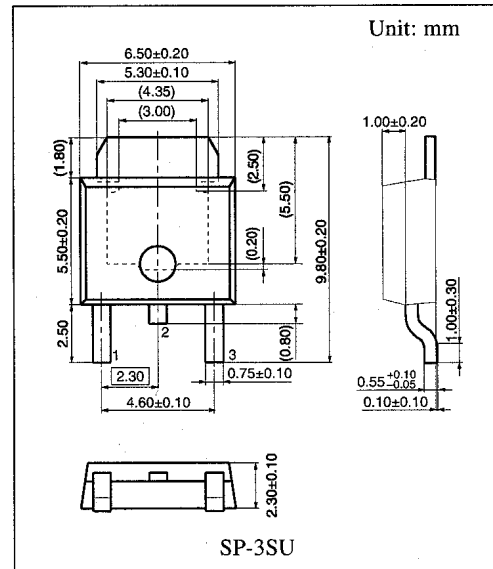
## 3-pin positive output voltage regulator (500 mA type)

### ■ Overview

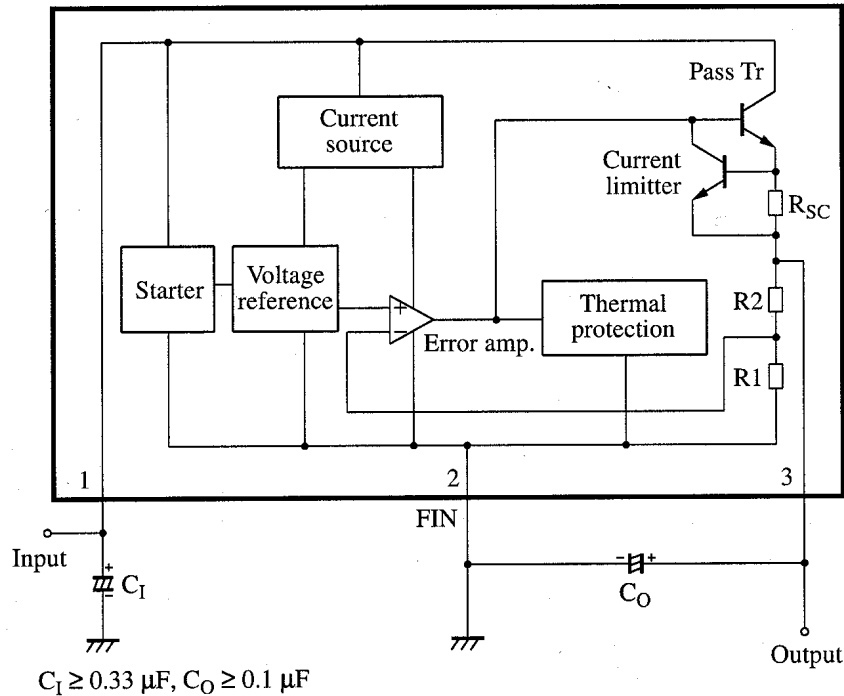
The AN78MxxNSP series is a 3-pin fixed positive output type monolithic voltage regulator housed in surface mounting package. Stabilized fixed output voltage is obtained from unstable DC input voltage with using minimum external components. 9 types of fixed output voltage are available; 5 V, 6 V, 7 V, 8 V, 9 V, 10 V, 12 V, 15 V and 18 V. They can be used widely in power circuits with current capacity up to 500 mA.

### ■ Features

- Output voltage: 5V, 6V, 7V, 8V, 9V, 10V, 12V, 15V, 18 V
- Built-in overcurrent limit circuit
- Built-in thermal overload protection circuit
- Built-in ASO (area of safe operation) protection circuit



### ■ Block Diagram



### ■ Pin Descriptions

| Pin No. | Description               |
|---------|---------------------------|
| 1       | Input Input voltage pin   |
| 2       | GND Ground pin (FIN)      |
| 3       | Output Output voltage pin |

### ■ Absolute Maximum Ratings

| Parameter                        | Symbol    | Range       | Unit |
|----------------------------------|-----------|-------------|------|
| Supply voltage *2                | $V_{CC}$  | 35          | V    |
| Supply current *3                | $I_{CC}$  | —           | mA   |
| Power dissipation *4             | $P_D$     | —           | mW   |
| Operating ambient temperature *1 | $T_{opr}$ | -30 to +85  | °C   |
| Storage temperature *1           | $T_{stg}$ | -55 to +150 | °C   |

Note) 1. \*1: Except for the operating ambient temperature and storage temperature, all ratings are for  $T_a = 25^\circ\text{C}$ .

\*2: When  $V_{CC}$  of 35 V is applied, the overvoltage protection of ASO protection circuit may shut off the output.

\*3: Since this IC has incorporated a current limiter, the current value does not exceed the rating.

\*4: When  $T_j$  exceeds  $150^\circ\text{C}$  (designed value), the internal circuit cuts off the output. Note that the relationship between IC power dissipation and the ambient temperature must follow the derating curve.

2. This IC is not suitable for car electronics equipment.

### ■ Electrical Characteristics at $T_a = 25^\circ\text{C}$

#### • AN78M05NSP (5 V type)

The specified condition  $T_j = 25^\circ\text{C}$  means that the test should be carried out within so short a test time (within 10 ms) that the characteristic value drift due to the chip junction temperature rise can be ignored.

Unless otherwise specified,  $V_1 = 10\text{ V}$ ,  $I_O = 350\text{ mA}$ ,  $C_1 = 0.33\ \mu\text{F}$  and  $C_O = 0.1\ \mu\text{F}$

| Parameter                         | Symbol                | Conditions   | Min  | Typ | Max  | Unit |
|-----------------------------------|-----------------------|--|------|-----|------|------|
| Output voltage                    | $V_{O1}$              | $T_j = 25^\circ\text{C}$   | 4.8  | 5   | 5.2  | V    |
| Output voltage tolerance          | $V_{O2}$              | $V_1 = 7.5\text{ V to }20\text{ V}$ , $I_O = 5\text{ mA to }350\text{ mA}$<br>$T_j = 25^\circ\text{C}$ | 4.75 | —   | 5.25 | V    |
| Line regulation 1                 | $REG_{IN1}$           | $V_1 = 7.5\text{ V to }25\text{ V}$ , $T_j = 25^\circ\text{C}$   | —    | 3   | 100  | mV   |
| Line regulation 2                 | $REG_{IN2}$           | $V_1 = 8\text{ V to }25\text{ V}$ , $T_j = 25^\circ\text{C}$   | —    | 1   | 50   | mV   |
| Load regulation 1                 | $REG_{L1}$            | $I_O = 5\text{ mA to }500\text{ mA}$ , $T_j = 25^\circ\text{C}$  | —    | 20  | 100  | mV   |
| Load regulation 2                 | $REG_{L2}$            | $I_O = 5\text{ mA to }200\text{ mA}$ , $T_j = 25^\circ\text{C}$  | —    | 10  | 50   | mV   |
| Bias current                      | $I_{Bias}$            | $T_j = 25^\circ\text{C}$   | —    | 4   | 6    | mA   |
| Bias current fluctuation to input | $\Delta I_{Bias(IN)}$ | $V_1 = 8\text{ V to }25\text{ V}$ , $T_j = 25^\circ\text{C}$   | —    | —   | 0.8  | mA   |
| Bias current fluctuation to load  | $\Delta I_{Bias(L)}$  | $I_O = 5\text{ mA to }350\text{ mA}$ , $T_j = 25^\circ\text{C}$  | —    | —   | 0.5  | mA   |
| Ripple rejection ratio            | RR                    | $V_1 = 8\text{ V to }18\text{ V}$ , $I_O = 100\text{ mA}$ , $f = 120\text{ Hz}$                        | 62   | —   | —    | dB   |

#### • Design reference data

Note) The characteristics listed below are theoretical values based on the IC design and are not guaranteed.

| Parameter                                | Symbol             | Conditions   | Min | Typ  | Max | Unit                       |
|--|--------------------|--|-----|------|-----|----------------------------|
| Output noise voltage                     | $V_{NO}$           | $f = 10\text{ Hz to }100\text{ kHz}$                               | —   | 40   | —   | $\mu\text{V}$              |
| Minimum input/output voltage difference  | $V_{DIF(min)}$     | $I_O = 500\text{ mA}$ , $T_j = 25^\circ\text{C}$                   | —   | 2    | —   | V                          |
| Output short-circuit current             | $I_{O(Short)}$     | $V_1 = 35\text{ V}$ , $T_j = 25^\circ\text{C}$                     | —   | 300  | —   | mA                         |
| Peak output current                      | $I_{O(Peak)}$      | $T_j = 25^\circ\text{C}$   | —   | 1000 | —   | mA                         |
| Output voltage temperature coefficient   | $\Delta V_O / T_a$ | $I_O = 5\text{ mA}$ , $T_j = 0^\circ\text{C to }125^\circ\text{C}$ | —   | -0.5 | —   | $\text{mV}/^\circ\text{C}$ |
| Thermal protection operating temperature | $T_{j(TH)}$        | $I_O = 5\text{ mA}$  | —   | 150  | —   | °C                         |

■ Electrical Characteristics at  $T_a = 25^\circ\text{C}$  (continued)

• AN78M07NSP (7 V type)

The specified condition  $T_j = 25^\circ\text{C}$  means that the test should be carried out within so short a test time (within 10 ms) that the characteristic value drift due to the chip junction temperature rise can be ignored.

Unless otherwise specified,  $V_I = 12\text{ V}$ ,  $I_O = 350\text{ mA}$ ,  $C_I = 0.33\text{ }\mu\text{F}$  and  $C_O = 0.1\text{ }\mu\text{F}$

| Parameter                         | Symbol                              | Conditions   | Min  | Typ | Max  | Unit |
|-----------------------------------|-------------------------------------|--|------|-----|------|------|
| Output voltage                    | $V_{O1}$                            | $T_j = 25^\circ\text{C}$   | 6.7  | 7   | 7.3  | V    |
| Output voltage tolerance          | $V_{O2}$                            | $V_I = 9.5\text{ V to } 22\text{ V}$ , $I_O = 5\text{ mA to } 350\text{ mA}$<br>$T_j = 25^\circ\text{C}$ | 6.65 | —   | 7.35 | V    |
| Line regulation 1                 | $\text{REG}_{\text{IN}1}$           | $V_I = 9.5\text{ V to } 25\text{ V}$ , $T_j = 25^\circ\text{C}$  | —    | 6   | 100  | mV   |
| Line regulation 2                 | $\text{REG}_{\text{IN}2}$           | $V_I = 10\text{ V to } 25\text{ V}$ , $T_j = 25^\circ\text{C}$   | —    | 2   | 50   | mV   |
| Load regulation 1                 | $\text{REG}_{\text{L}1}$            | $I_O = 5\text{ mA to } 500\text{ mA}$ , $T_j = 25^\circ\text{C}$   | —    | 20  | 140  | mV   |
| Load regulation 2                 | $\text{REG}_{\text{L}2}$            | $I_O = 5\text{ mA to } 200\text{ mA}$ , $T_j = 25^\circ\text{C}$   | —    | 10  | 70   | mV   |
| Bias current                      | $I_{\text{Bias}}$                   | $T_j = 25^\circ\text{C}$   | —    | 4   | 6    | mA   |
| Bias current fluctuation to input | $\Delta I_{\text{Bias}(\text{IN})}$ | $V_I = 10\text{ V to } 25\text{ V}$ , $T_j = 25^\circ\text{C}$   | —    | —   | 0.8  | mA   |
| Bias current fluctuation to load  | $\Delta I_{\text{Bias}(\text{L})}$  | $I_O = 5\text{ mA to } 350\text{ mA}$ , $T_j = 25^\circ\text{C}$   | —    | —   | 0.5  | mA   |
| Ripple rejection ratio            | RR                                  | $V_I = 10\text{ V to } 20\text{ V}$ , $I_O = 100\text{ mA}$ , $f = 120\text{ Hz}$                        | 57   | —   | —    | dB   |

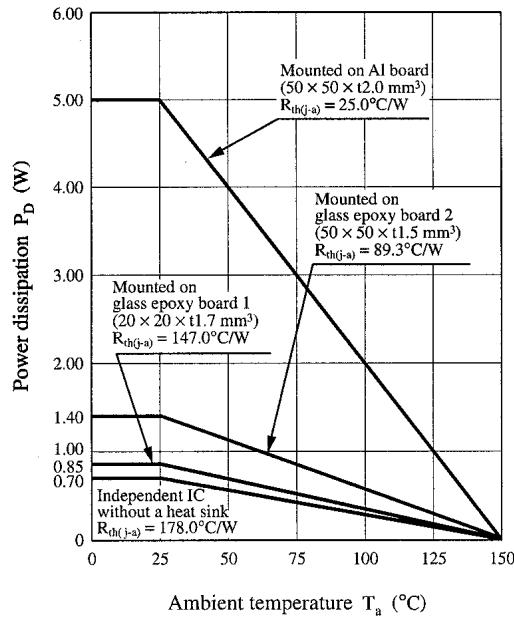
• Design reference data

Note) The characteristics listed below are theoretical values based on the IC design and are not guaranteed.

| Parameter                                | Symbol                       | Conditions  | Min | Typ  | Max | Unit                       |
|--|------------------------------|---|-----|------|-----|----------------------------|
| Output noise voltage                     | $V_{\text{NO}}$              | $f = 10\text{ Hz to } 100\text{ kHz}$                               | —   | 48   | —   | $\mu\text{V}$              |
| Minimum input/output voltage difference  | $V_{\text{DIF}(\text{min})}$ | $I_O = 500\text{ mA}$ , $T_j = 25^\circ\text{C}$                    | —   | 2    | —   | V                          |
| Output short-circuit current             | $I_{\text{O}(\text{Short})}$ | $V_I = 35\text{ V}$ , $T_j = 25^\circ\text{C}$                      | —   | 300  | —   | mA                         |
| Peak output current                      | $I_{\text{O}(\text{Peak})}$  | $T_j = 25^\circ\text{C}$  | —   | 1000 | —   | mA                         |
| Output voltage temperature coefficient   | $\Delta V_O / T_a$           | $I_O = 5\text{ mA}$ , $T_j = 0^\circ\text{C to } 125^\circ\text{C}$ | —   | -0.5 | —   | $\text{mV}/^\circ\text{C}$ |
| Thermal protection operating temperature | $T_{\text{j}(\text{TH})}$    | $I_O = 5\text{ mA}$   | —   | 150  | —   | $^\circ\text{C}$           |

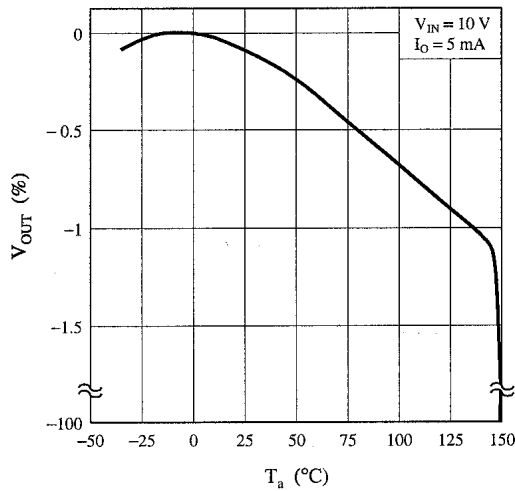
■ Application Notes

1.  $P_D - T_a$  curves of SP-3SU  $P_D \approx \frac{3}{4} T_a$

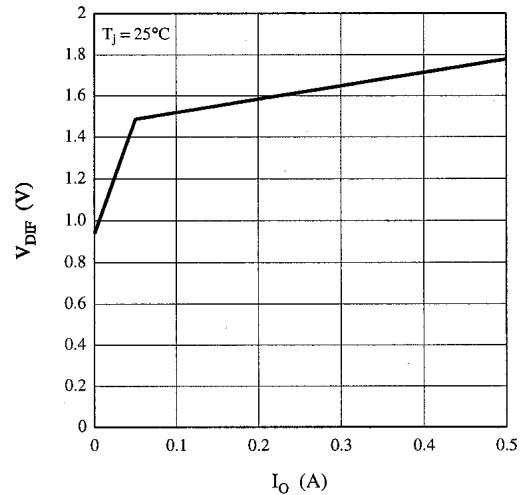


2. Main Characteristics

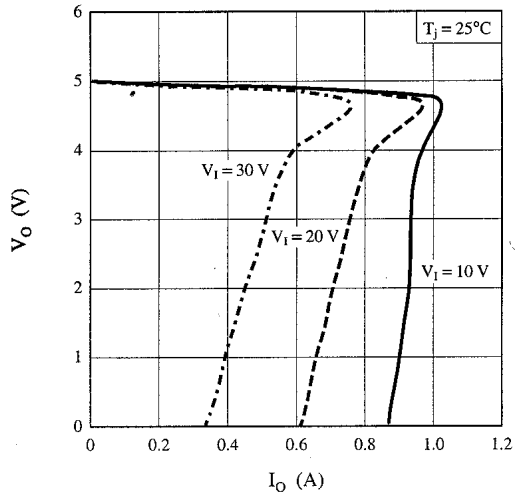
Output voltage temperature characteristic



Minimum input/output voltage difference vs. load current characteristic



Current limit characteristics



Ripple rejection ratio vs. frequency characteristic

