

# SHINDENGEN

## Super Fast Recovery Rectifiers

Single

# D1NL40

## 400V 0.9 A

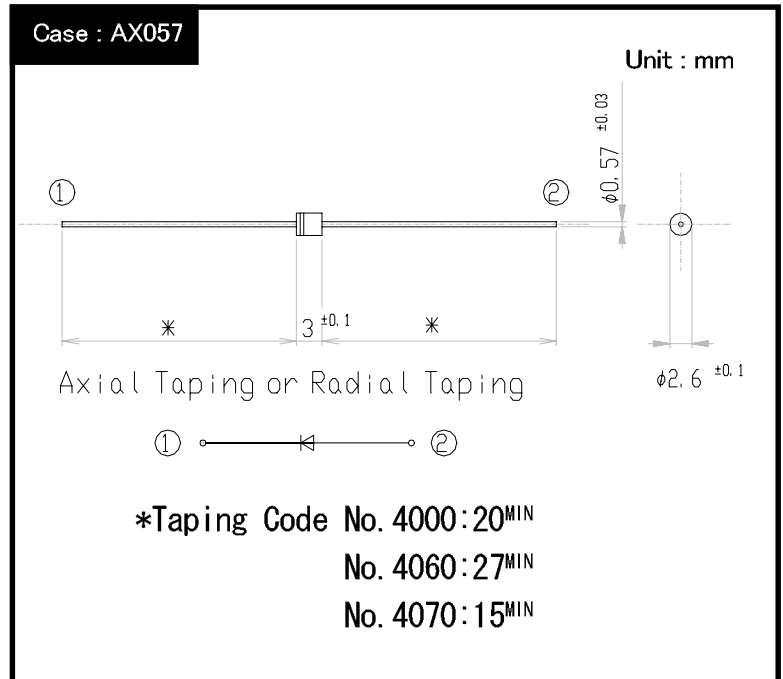
### FEATURES

- Low noise
- trr50ns
- 5 mm pitch mounting applicable

### APPLICATION

- Switching power supply
- Free Wheel
- Home Appliances, Office Equipment
- Telecommunication, Factory Automation

### OUTLINE DIMENSIONS



### RATINGS

#### ● Absolute Maximum Ratings (If not specified TI=25°C)

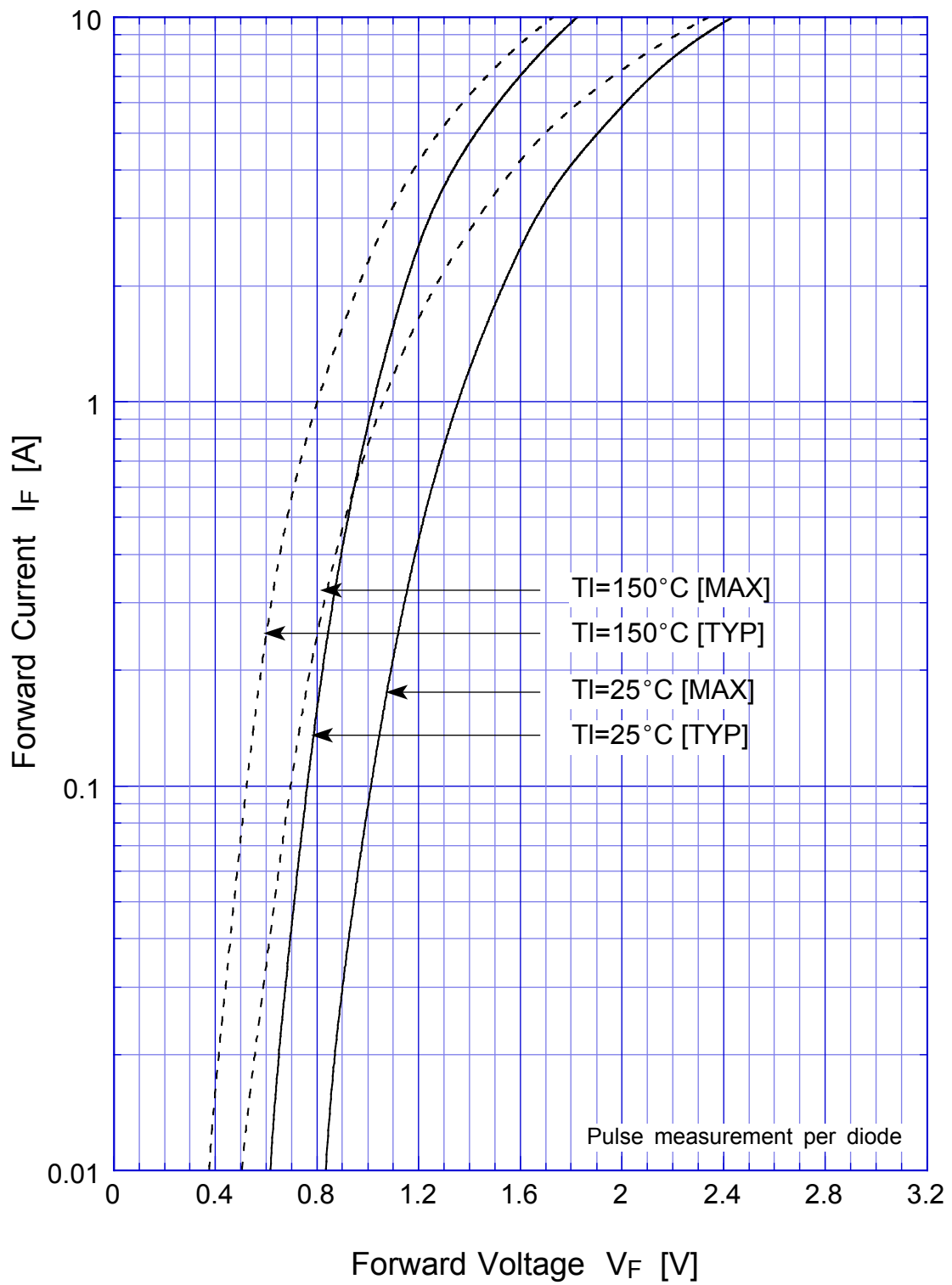
Item	Symbol	Conditions	Ratings	Unit
Storage Temperature	T <sub>stg</sub>		-55~150	°C
Operating Junction Temperature	T <sub>j</sub>		150	°C
Maximum Reverse Voltage	V <sub>RM</sub>		400	V
Average Rectified Forward Current	I <sub>O</sub>	50Hz sine wave, R-load, Ta=25°C	0.9	A
Peak Surge Forward Current	I <sub>FSM</sub>	50Hz sine wave, Non-repetitive 1 cycle peak value, Tj=25°C	25	A

#### ● Electrical Characteristics (If not specified TI=25°C)

Item	Symbol	Conditions	Ratings	Unit
Forward Voltage	V <sub>F</sub>	I <sub>F</sub> =0.9A, Pulse measurement	Max.1.3	V
Reverse Current	I <sub>R</sub>	V <sub>R</sub> =V <sub>RM</sub> , Pulse measurement	Max.10	μA
Reverse Recovery Time	trr	I <sub>F</sub> =0.5A, I <sub>R</sub> =1A	Max.50	ns
Thermal Resistance	θ <sub>jl</sub>	junction to lead	Max.10	°C/W
	θ <sub>ja</sub>	junction to ambient, On P.C.B. Lead length=5mm	Max.113	

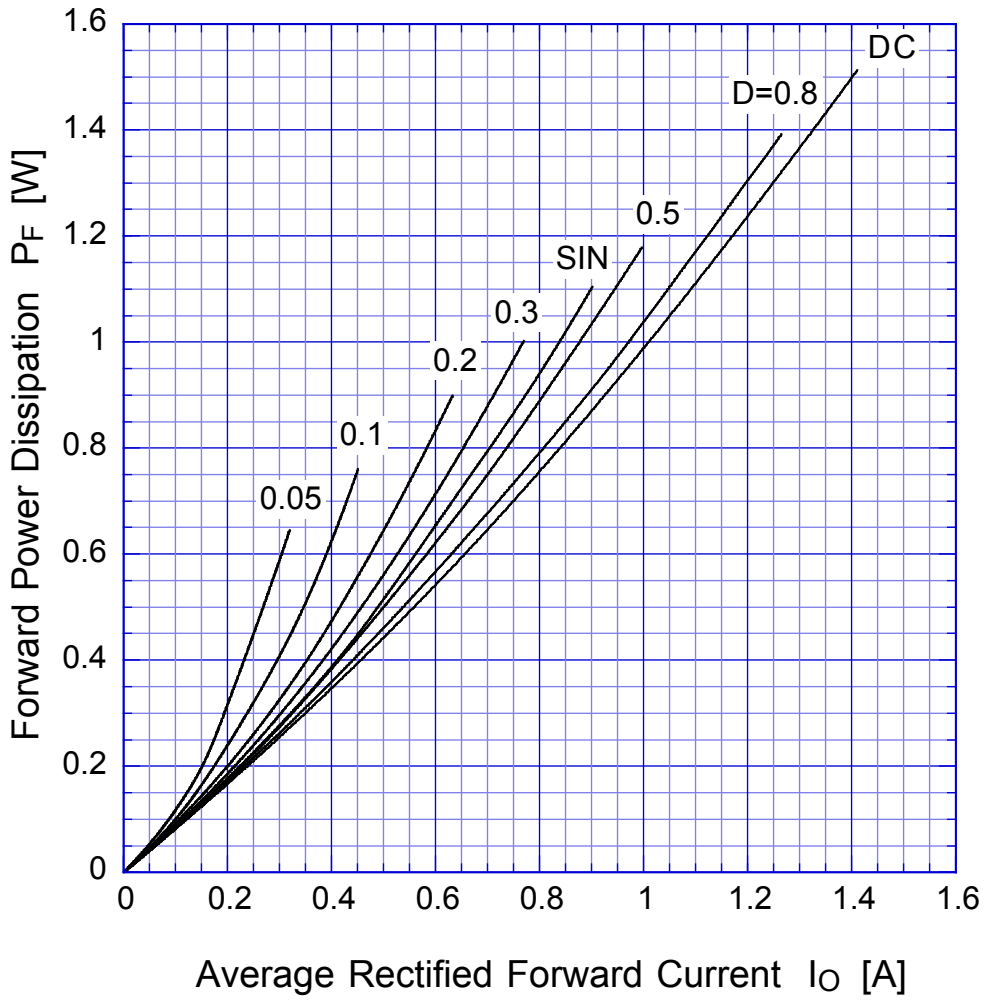
# D1NL40

## Forward Voltage

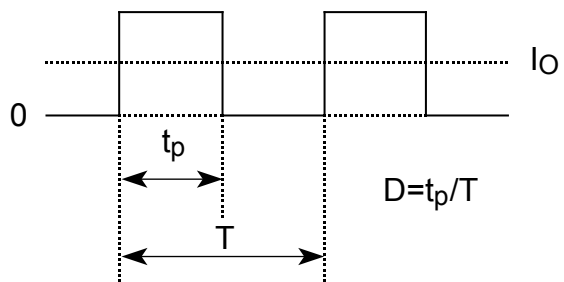


# D1NL40

## Forward Power Dissipation

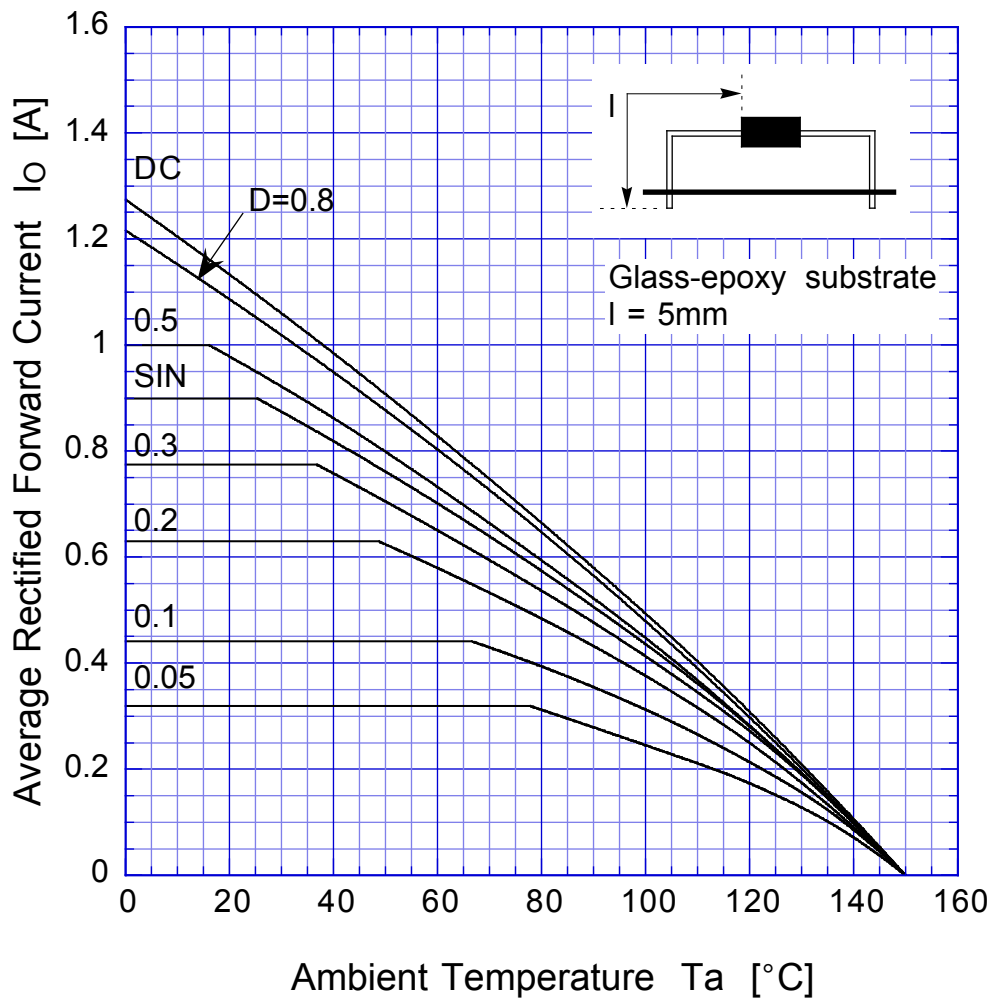


$T_j = T_{jmax}$

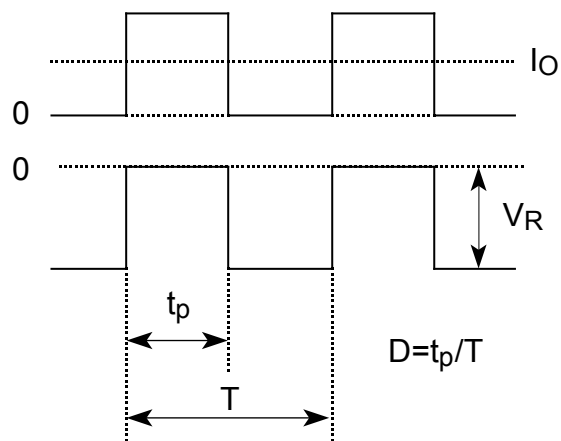


# D1NL40

# Derating Curve

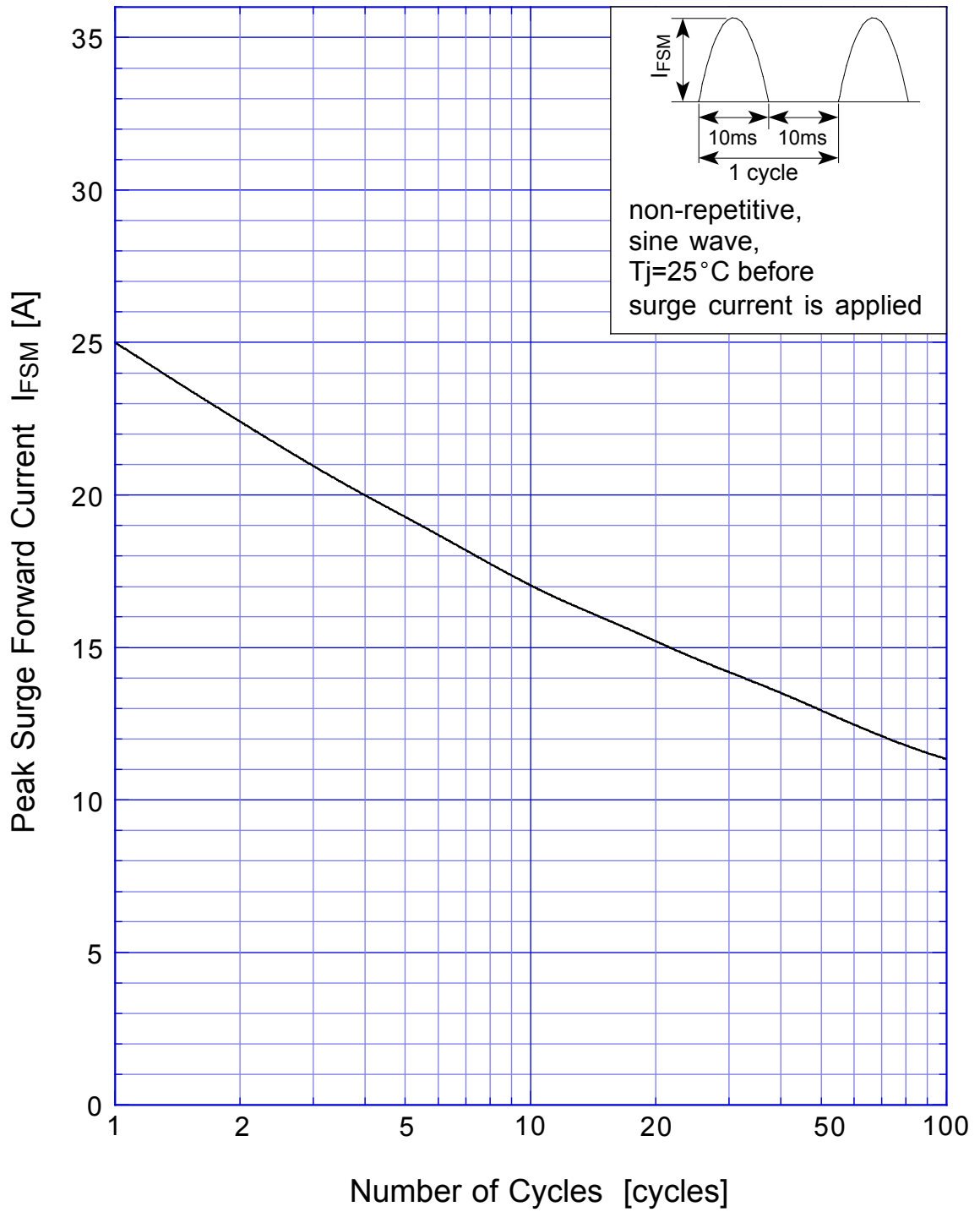


$$V_R = V_{RM}$$



# D1NL40

## Peak Surge Forward Capability



# D1NL40 Junction Capacitance

