

SHINDENGEN

Super Fast Recovery Rectifiers

Single

D5L60

600V 5A

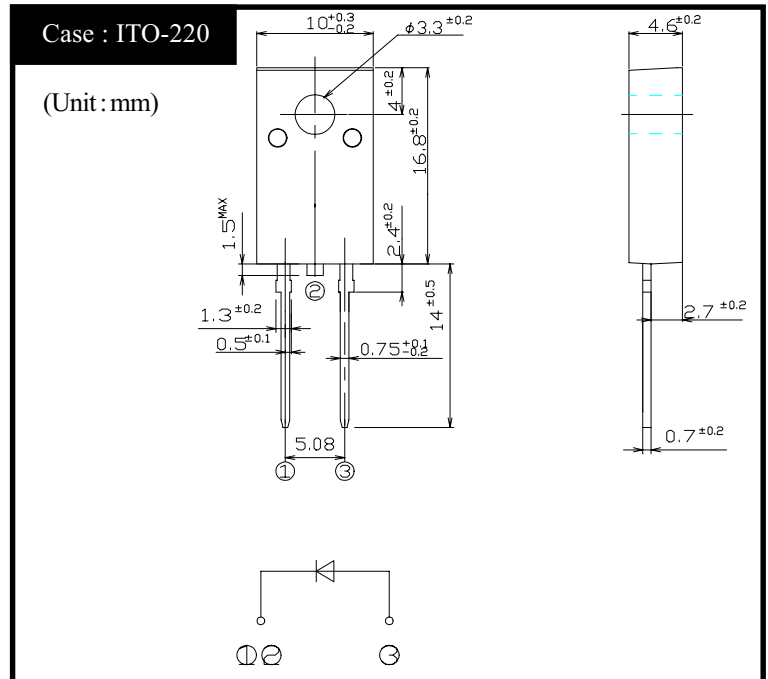
FEATURES

- High Voltage
- trr50ns
- Fully Isolated Molding
- Dielectric strength 1.5kV guaranteed

APPLICATION

- PFC
- Switching power supply
- Free Wheel
- CTV+B output, lighting

OUTLINE DIMENSIONS



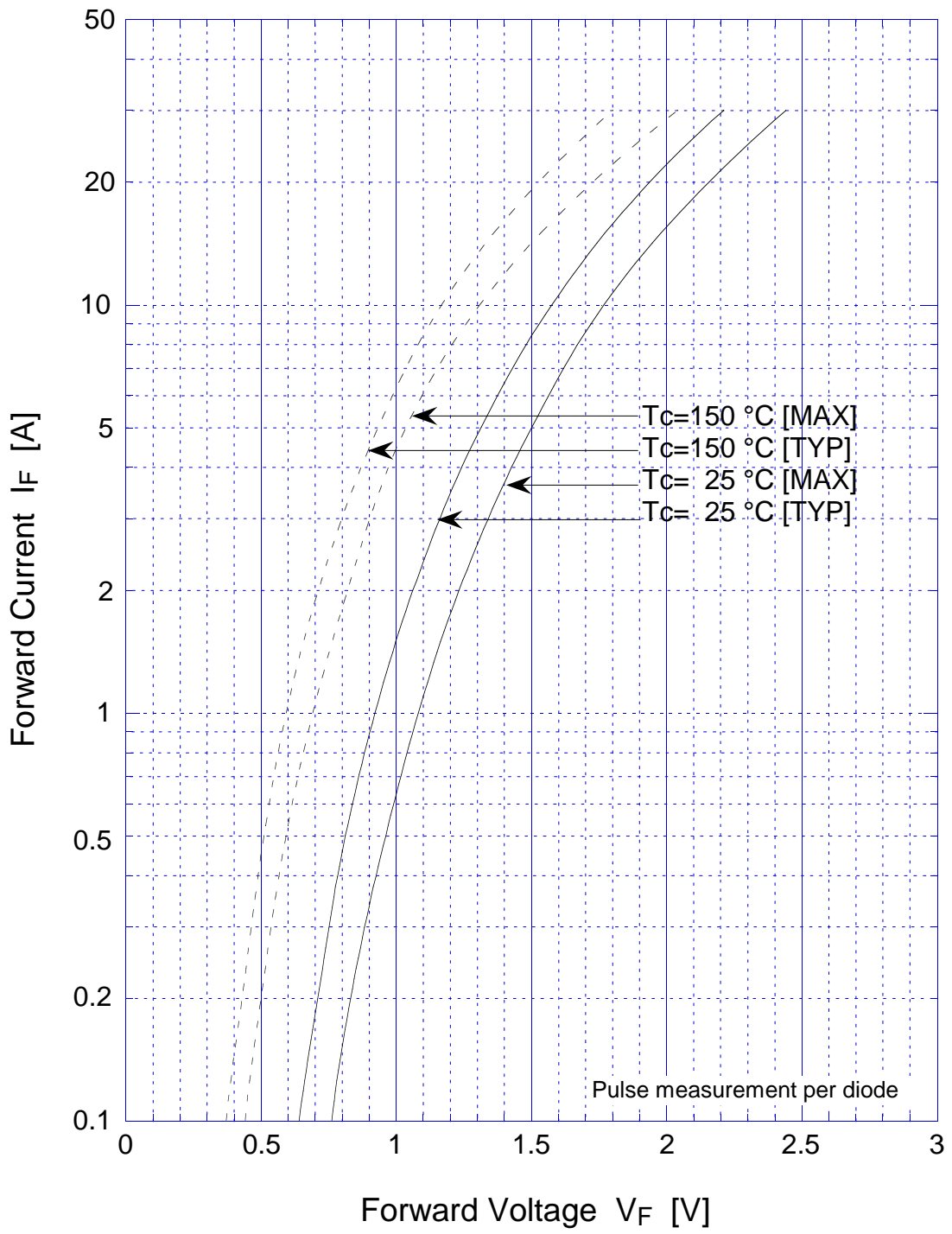
RATINGS

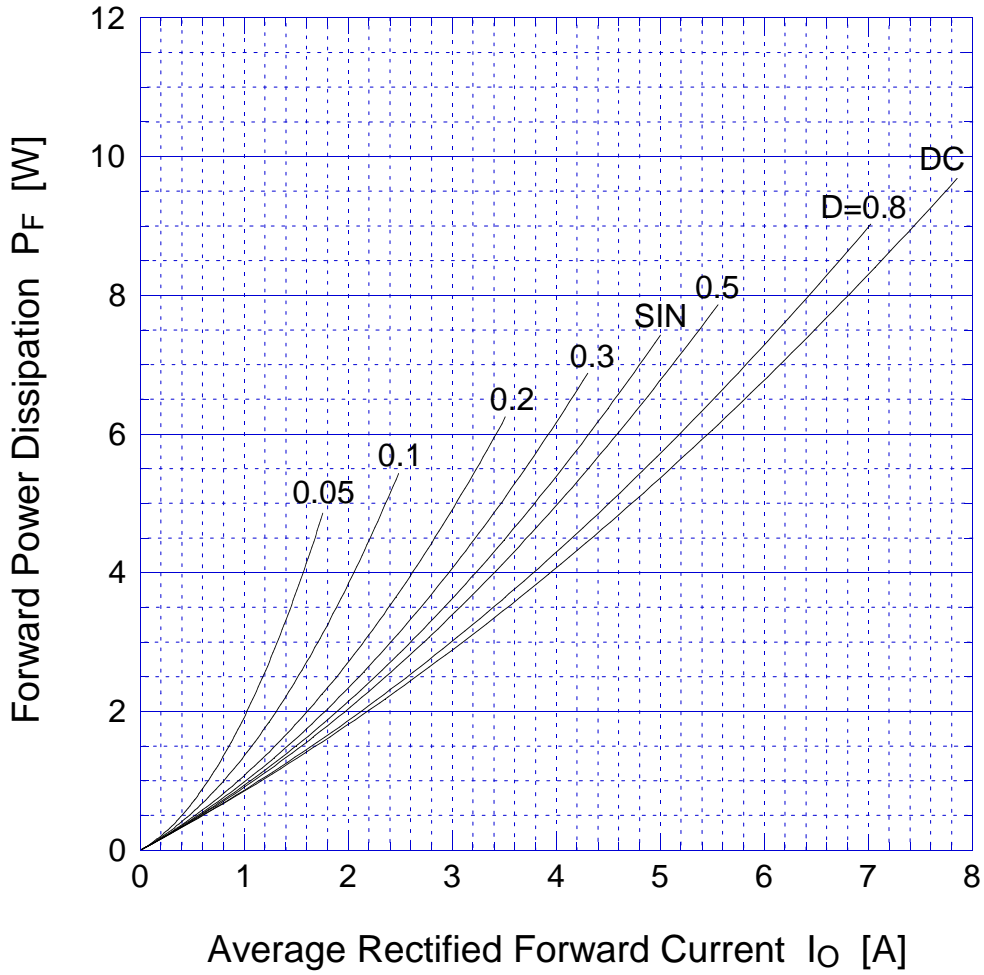
● Absolute Maximum Ratings (If not specified T_c=25°C)

Item	Symbol	Conditions	Ratings	Unit
Storage Temperature	T _{stg}		-55~150	°C
Operating Junction Temperature	T _j		150	°C
Maximum Reverse Voltage	V _{RM}		600	V
Average Rectified Forward Current	I _O	50Hz sine wave, R-load, T _c =123°C	5	A
Peak Surge Forward Current	I _{FSM}	50Hz sine wave, Non-repetitive 1 cycle peak value, T _j =25°C	100	A
Dielectric Strength	V _{dis}	Terminals to case, AC 1 minute	1.5	kV
Mounting Torque	TOR	(Recommended torque:0.3N·m)	0.5	N·m

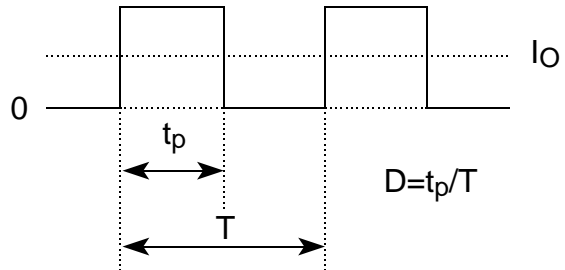
● Electrical Characteristics (If not specified T_c=25°C)

Item	Symbol	Conditions	Ratings	Unit
Forward Voltage	V _F	I _F =5A, Pulse measurement	Max.1.5	V
Reverse Current	I _R	V _R =V _{RM} , Pulse measurement	Max.10	μA
Reverse Recovery Time	t _{rr}	I _F =0.5A, I _R =1A	Max.50	ns
Thermal Resistance	θ _{jc}	junction to case	Max.3.5	°C/W



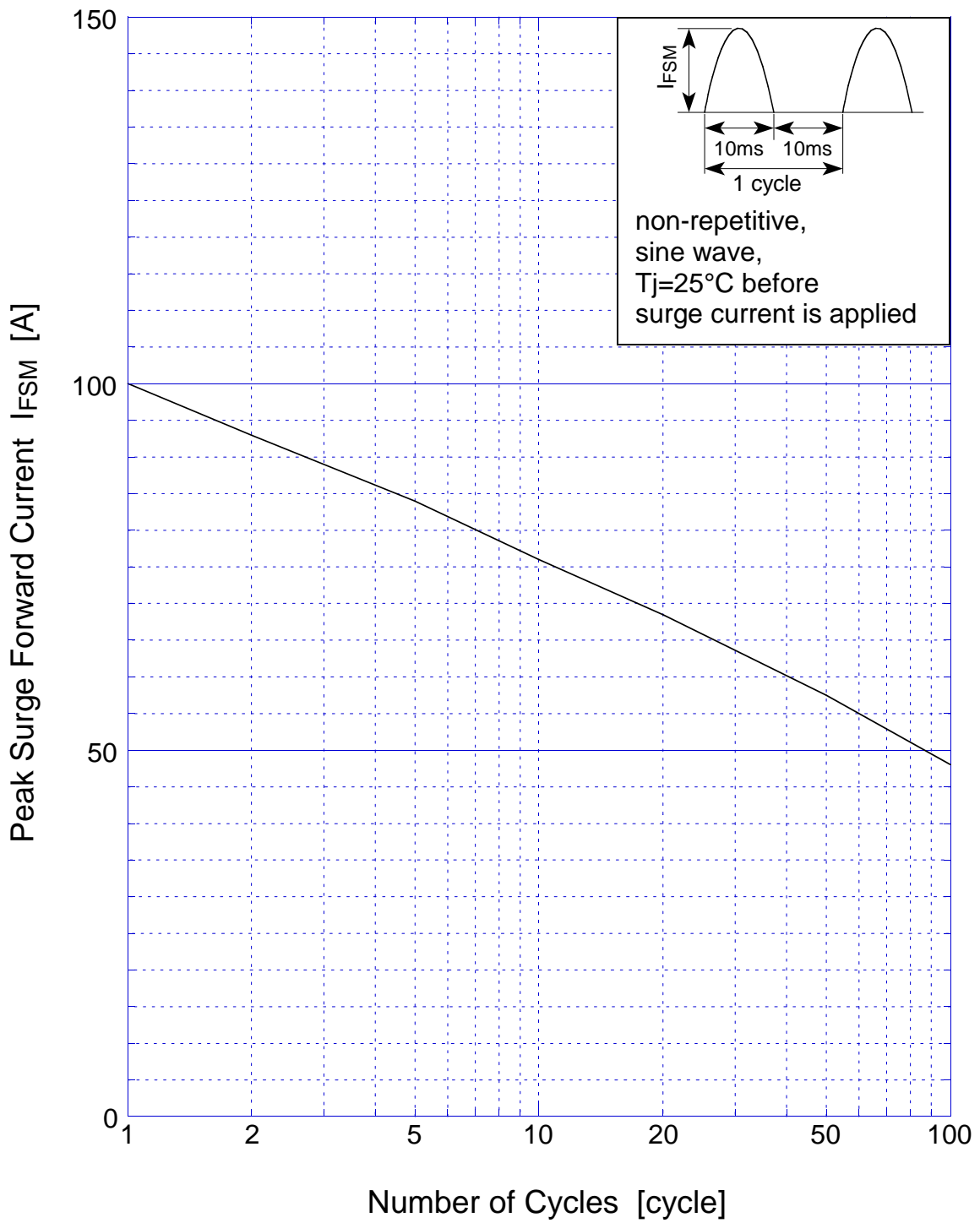


$T_j = 150^\circ\text{C}$

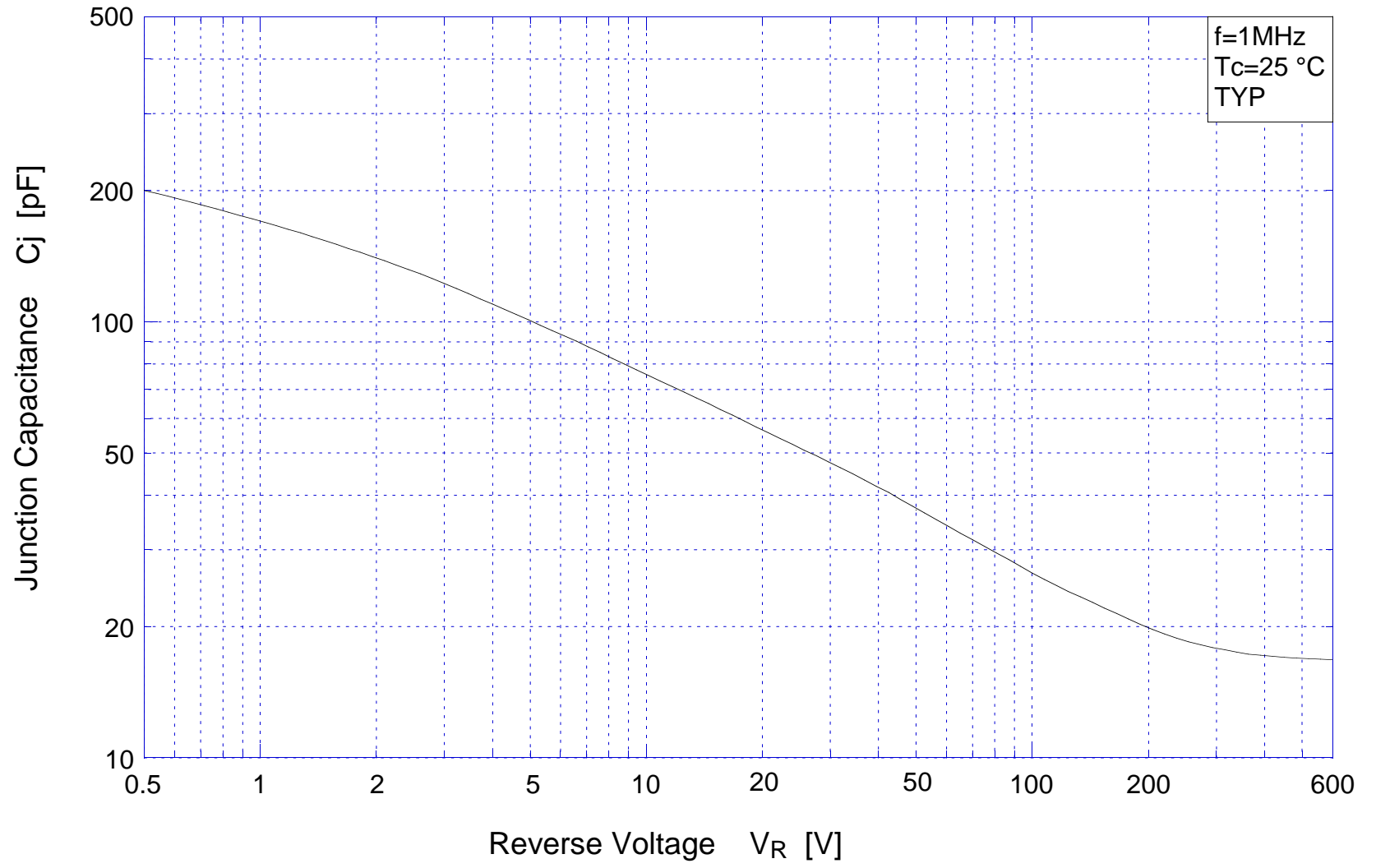


D5L60

Peak Surge Forward Capability

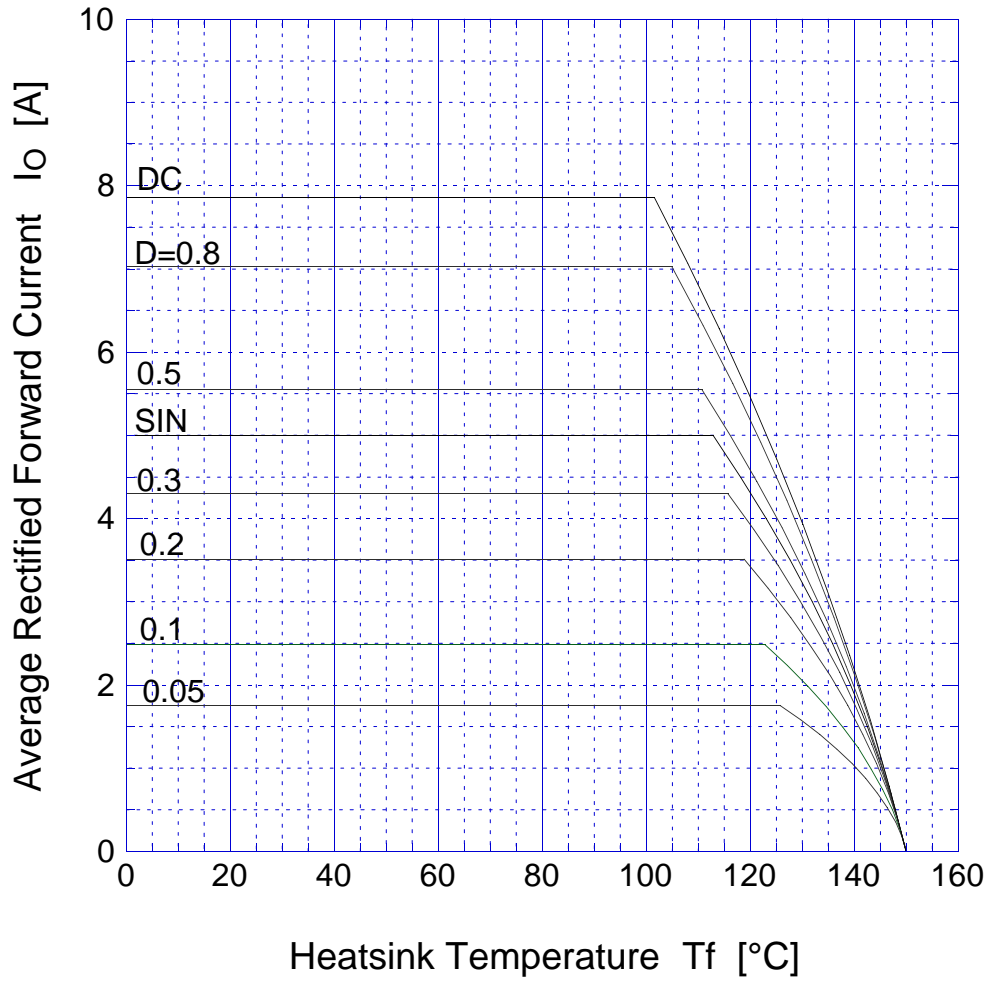


D5L60 Junction Capacitance

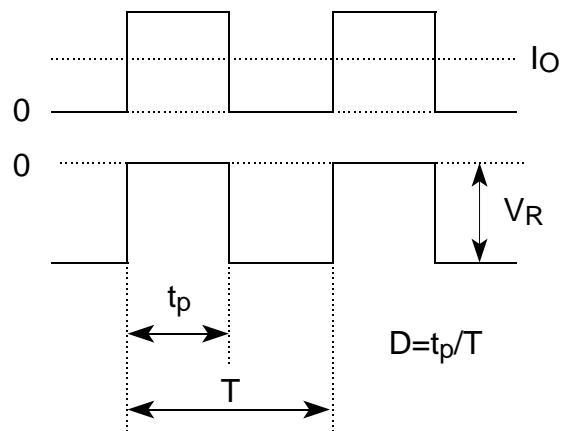


D5L60

Derating Curve

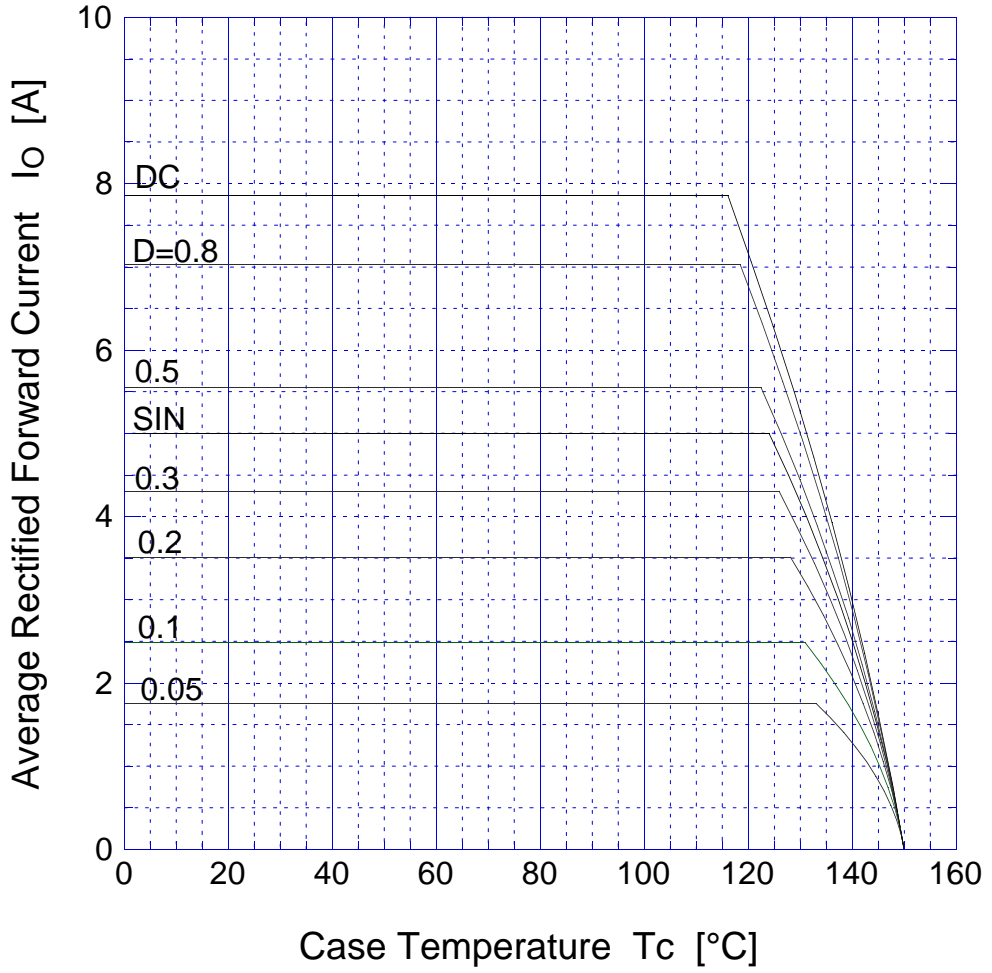


$$V_R = V_{RM}$$



D5L60

Derating Curve



$$V_R = V_{RM}$$

