

# DM7490A

## Decade and Binary Counter

### General Description

The DM7490A monolithic counter contains four master-slave flip-flops and additional gating to provide a divide-by-two counter and a three-stage binary counter for which the count cycle length is divide-by-five.

The counter has a gated zero reset and also has gated set-to-nine inputs for use in BCD nine's complement applications.

To use the maximum count length (decade or four-bit binary), the B input is connected to the  $Q_A$  output. The input count pulses are applied to input A and the outputs

are as described in the appropriate truth table. A symmetrical divide-by-ten count can be obtained from the counters by connecting the  $Q_D$  output to the A input and applying the input count to the B input which gives a divide-by-ten square wave at output  $Q_A$ .

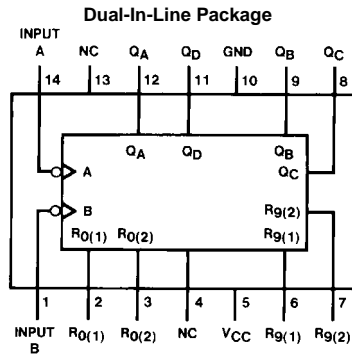
### Features

- Typical power dissipation  
— 90A 145 mW
- Count frequency 42 MHz

### Ordering Code:

Order Number	Package Number	Package Description
DM7490AN	N14A	14-Lead Plastic Dual-In-Line Package, JECEC MS-001, 0.300" Wide

### Connection Diagram



## Function Tables (Note 1)

BCD Count Sequence (Note 2)

Count	Outputs			
	Q <sub>D</sub>	Q <sub>C</sub>	Q <sub>B</sub>	Q <sub>A</sub>
0	L	L	L	L
1	L	L	L	H
2	L	L	H	L
3	L	L	H	H
4	L	H	L	L
5	L	H	L	H
6	L	H	H	L
7	L	H	H	H
8	H	L	L	L
9	H	L	L	H

BCD Bi-Quinary (5-2) (Note 3)

Count	Outputs			
	Q <sub>A</sub>	Q <sub>D</sub>	Q <sub>C</sub>	Q <sub>B</sub>
0	L	L	L	L
1	L	L	L	H
2	L	L	H	L
3	L	L	H	H
4	L	H	L	L
5	H	L	L	L
6	H	L	L	H
7	H	L	H	L
8	H	L	H	H
9	H	H	L	L

Reset/Count Function Table

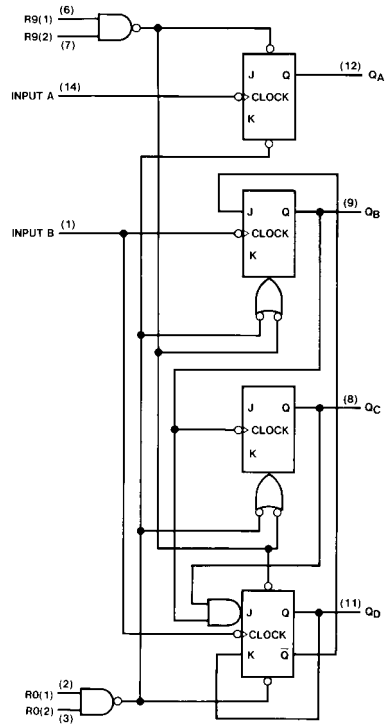
Reset Inputs				Outputs			
R0(1)	R0(2)	R9(1)	R9(2)	Q <sub>D</sub>	Q <sub>C</sub>	Q <sub>B</sub>	Q <sub>A</sub>
H	H	L	X	L	L	L	L
H	H	X	L	L	L	L	L
X	X	H	H	H	L	L	H
X	L	X	L				COUNT
L	X	L	X				COUNT
L	X	X	L				COUNT
X	L	L	X				COUNT

Note 1: H = High Level, L = Low Level, X = Don't Care.

Note 2: Output Q<sub>A</sub> is connected to input B for BCD count.

Note 3: Output Q<sub>D</sub> is connected to input A for bi-quinary count.

## Logic Diagram



The J and K inputs shown without connection are for reference only and are functionally at a high level.

**Absolute Maximum Ratings**(Note 4)

Supply Voltage	7V	Operating Free Air Temperature Range	0°C to +70°C
Input Voltage	5.5V	Storage Temperature Range	-65°C to +150°C

**Recommended Operating Conditions**

Symbol	Parameter	Min	Nom	Max	Units
V <sub>CC</sub>	Supply Voltage	4.75	5	5.25	V
V <sub>IH</sub>	High Level Input Voltage	2			V
V <sub>IL</sub>	Low Level Input Voltage			0.8	V
I <sub>OH</sub>	High Level Output Current			-0.8	mA
I <sub>OL</sub>	Low Level Output Current			16	mA
f <sub>CLK</sub>	Clock Frequency (Note 5)	0		32	MHz
	A	0		16	
t <sub>W</sub>	Pulse Width (Note 5)	15			ns
	B	30			
	Reset	15			
t <sub>REL</sub>	Reset Release Time (Note 5)	25			ns
T <sub>A</sub>	Free Air Operating Temperature	0		70	°C

**Note 4:** The "Absolute Maximum Ratings" are those values beyond which the safety of the device cannot be guaranteed. The device should not be operated at these limits. The parametric values defined in the Electrical Characteristics tables are not guaranteed at the absolute maximum ratings. The "Recommended Operating Conditions" table will define the conditions for actual device operation.

**Note 5:** T<sub>A</sub> = 25°C and V<sub>CC</sub> = 5V.

**DC Electrical Characteristics**

over recommended operating free air temperature range (unless otherwise noted)

Symbol	Parameter	Conditions	Min	Typ (Note 6)	Max	Units
V <sub>I</sub>	Input Clamp Voltage	V <sub>CC</sub> = Min, I <sub>I</sub> = -12 mA			-1.5	V
V <sub>OH</sub>	High Level Output Voltage	V <sub>CC</sub> = Min, I <sub>OH</sub> = Max V <sub>IL</sub> = Max, V <sub>IH</sub> = Min	2.4	3.4		V
V <sub>OL</sub>	Low Level Output Voltage	V <sub>CC</sub> = Min, I <sub>OL</sub> = Max V <sub>IH</sub> = Min, V <sub>IL</sub> = Max (Note 7)		0.2	0.4	V
I <sub>I</sub>	Input Current @ Max Input Voltage	V <sub>CC</sub> = Max, V <sub>I</sub> = 5.5V			1	mA
I <sub>IH</sub>	High Level Input Current	V <sub>CC</sub> = Max V <sub>I</sub> = 2.7V	A		80	μA
			Reset		40	
			B		120	
I <sub>IL</sub>	Low Level Input Current	V <sub>CC</sub> = Max V <sub>I</sub> = 0.4V	A		-3.2	mA
			Reset		-1.6	
			B		-4.8	
I <sub>OS</sub>	Short Circuit Output Current	V <sub>CC</sub> = Max (Note 8)	DM54	-20	-57	mA
			DM74	-18	-57	
I <sub>CC</sub>	Supply Current	V <sub>CC</sub> = Max (Note 9)		29	42	mA

**Note 6:** All typicals are at V<sub>CC</sub> = 5V, T<sub>A</sub> = 25°C.

**Note 7:** Q<sub>A</sub> outputs are tested at I<sub>OL</sub> = Max plus the limit value of I<sub>IL</sub> for the B input. This permits driving the B input while maintaining full fan-out capability.

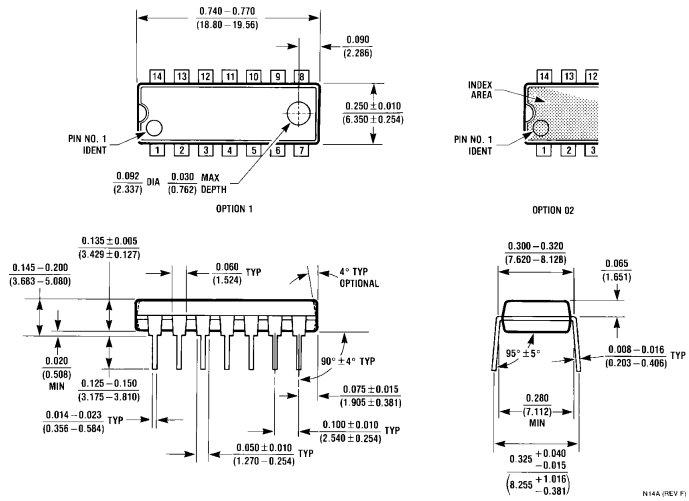
**Note 8:** Not more than one output should be shorted at a time.

**Note 9:** I<sub>CC</sub> is measured with all outputs open, both RO inputs grounded following momentary connection to 4.5V, and all other inputs grounded.

## AC Switching Characteristics at $V_{CC} = 5V$ and $T_A = 25^\circ C$

Symbol	Parameter	From (Input) To (Output)	$R_L = 400\Omega$ $C_L = 15\text{ pF}$		Units
			Min	Max	
$f_{MAX}$	Maximum Clock Frequency	A to $Q_A$ B to $Q_B$	32 16		MHz
$t_{PLH}$	Propagation Delay Time Low to High Level Output	A to $Q_A$		16	ns
$t_{PHL}$	Propagation Delay Time High to Low Level Output	A to $Q_A$		18	ns
$t_{PLH}$	Propagation Delay Time Low to High Level Output	A to $Q_D$		48	ns
$t_{PHL}$	Propagation Delay Time High to Low Level Output	A to $Q_D$		50	ns
$t_{PLH}$	Propagation Delay Time Low to High Level Output	B to $Q_B$		16	ns
$t_{PHL}$	Propagation Delay Time High to Low Level Output	B to $Q_B$		21	ns
$t_{PLH}$	Propagation Delay Time Low to High Level Output	B to $Q_C$		32	ns
$t_{PHL}$	Propagation Delay Time High to Low Level Output	B to $Q_C$		35	ns
$t_{PLH}$	Propagation Delay Time Low to High Level Output	B to $Q_D$		32	ns
$t_{PHL}$	Propagation Delay Time High to Low Level Output	B to $Q_D$		35	ns
$t_{PLH}$	Propagation Delay Time Low to High Level Output	SET-9 to $Q_A, Q_D$		30	ns
$t_{PHL}$	Propagation Delay Time High to Low Level Output	SET-9 to $Q_B, Q_C$		40	ns
$t_{PHL}$	Propagation Delay Time High to Low Level Output	SET-0 Any Q		40	ns

**Physical Dimensions** inches (millimeters) unless otherwise noted



**14-Lead Plastic Dual-In-Line Package, JEDEC MS-001, 0.300" Wide  
Package Number N14A**

**LIFE SUPPORT POLICY**

FAIRCHILD'S PRODUCTS ARE NOT AUTHORIZED FOR USE AS CRITICAL COMPONENTS IN LIFE SUPPORT DEVICES OR SYSTEMS WITHOUT THE EXPRESS WRITTEN APPROVAL OF THE PRESIDENT OF FAIRCHILD SEMICONDUCTOR CORPORATION. As used herein:

1. Life support devices or systems are devices or systems which, (a) are intended for surgical implant into the body, or (b) support or sustain life, and (c) whose failure to perform when properly used in accordance with instructions for use provided in the labeling, can be reasonably expected to result in a significant injury to the user.
2. A critical component in any component of a life support device or system whose failure to perform can be reasonably expected to cause the failure of the life support device or system, or to affect its safety or effectiveness.

[www.fairchildsemi.com](http://www.fairchildsemi.com)