

DM74ALS153 Dual 1 of 4 Line Data Selector/Multiplexer

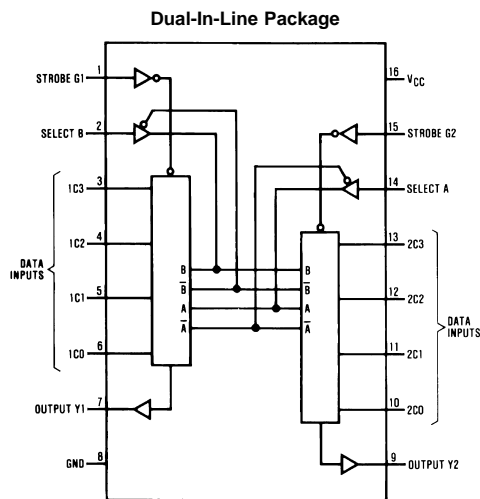
General Description

This Data Selector/Multiplexer contains full on-chip decoding to select one-of-four data sources as a result of a unique two-bit binary code at the Select inputs. Each of the two Data Selector/Multiplexer circuits have their own separate Data and Strobe inputs and a non-inverting output buffer. The Select inputs A and B are common to both sections. The Strobe inputs, when at the high level, disable their associated data inputs and force the corresponding output to the low state. The Select input buffers incorporate internal overlap features to ensure that select input changes do not cause invalid output transients.

Features

- Advanced oxide-isolated, ion-implanted Schottky TTL process
- Switching performance is guaranteed over full temperature and V_{CC} supply range
- Pin and functional compatible with LS family counterpart
- Improved output transient handling capability

Connection Diagram



Order Number DM74ALS153M,
DM74ALS153N or DM74ALS153SJ
See Package Number M16A, M16D or N16A

Function Table

Select Inputs		Data Inputs				Strobe	Output
B	A	C0	C1	C2	C3	G	Y
X	X	X	X	X	X	H	L
L	L	L	X	X	X	L	L
L	L	H	X	X	X	L	H
L	H	X	L	X	X	L	L
L	H	X	H	X	X	L	H
H	L	X	X	L	X	L	L
H	L	X	X	H	X	L	H
H	H	X	X	X	L	L	L
H	H	X	X	X	H	L	H

Select inputs A and B are common to both sections.
H = High Level, L = Low Level, X = Don't Care

Absolute Maximum Ratings (Note 1)

Supply Voltage	7V
Input Voltage	7V
Operating Free Air Temperature Range	0°C to +70°C
DM74ALS	

Storage Temperature Range

-65°C to +150°C

Typical θ_{JA}

N Package

78.0°C/W

M Package

107.0°C/W

Recommended Operating Conditions

Symbol	Parameter	DM74ALS153			Units
		Min	Nom	Max	
V_{CC}	Supply Voltage	4.5	5	5.5	V
V_{IH}	High Level Input Voltage	2			V
V_{IL}	Low Level Input Voltage			0.8	V
I_{OH}	High Level Output Current			-2.6	mA
I_{OL}	Low Level Output Current			24	mA
T_A	Free Air Operating Temperature	0		70	°C

Note 1: The "Absolute Maximum Ratings" are those values beyond which the safety of the device cannot be guaranteed. The device should not be operated at these limits. The parametric values defined in the "Electrical Characteristics" table are not guaranteed at the absolute maximum ratings. The "Recommended Operating Conditions" table will define the conditions for actual device operation.

Electrical Characteristics

over recommended operating free air temperature range. All typical values are measured at $V_{CC} = 5V$, $T_A = 25^\circ C$.

Symbol	Parameter	Conditions	Min	Typ	Max	Units
V_{IK}	Input Clamp Voltage	$V_{CC} = 4.5V$, $I_{IN} = -18 mA$			-1.5	V
V_{OH}	High Level Output Voltage	$V_{CC} = 4.5V$, $I_{OH} = \text{Max}$	2.4	3.2		V
V_{OL}	Low Level Output Voltage	$V_{CC} = 4.5V$, $I_{OL} = 24 mA$	$V_{CC} - 2$	0.35	0.5	V
I_I	Input Current at Max Input Voltage	$V_{CC} = 5.5V$, $V_{IN} = 7V$			0.1	mA
I_{IH}	High Level Input Current	$V_{CC} = 5.5V$, $V_{IN} = 2.7V$			20	μA
I_{IL}	Low Level Input Current	$V_{CC} = 5.5V$, $V_{IN} = 0.4V$			-0.1	mA
I_O	Output Drive Current	$V_{CC} = 5.5V$, $V_{OUT} = 2.25V$	-30		-112	mA
I_{CC}	Supply Current	$V_{CC} = 5.5V$ All Inputs = 4.5V		7.5	14	mA

Switching Characteristics

over recommended operating free air temperature range. (Note 2)

Symbol	Parameter	Conditions	From	To	DM74ALS153		Units
					Min	Max	
t_{PLH}	Propagation Delay Time Low to High Level Output	$V_{CC} = 4.5V$ to $5.5V$ $C_L = 50 pF$ $R_L = 500\Omega$	Select	Y	5	21	ns
t_{PHL}	Propagation Delay Time High to Low Level Output		Select	Y	5	21	ns
t_{PLH}	Propagation Delay Time Low to High Level Output		Data	Y	3	10	ns
t_{PHL}	Propagation Delay Time High to Low Level Output		Data	Y	4	15	ns
t_{PLH}	Propagation Delay Time Low to High Level Output		Strobe	Y	5	18	ns

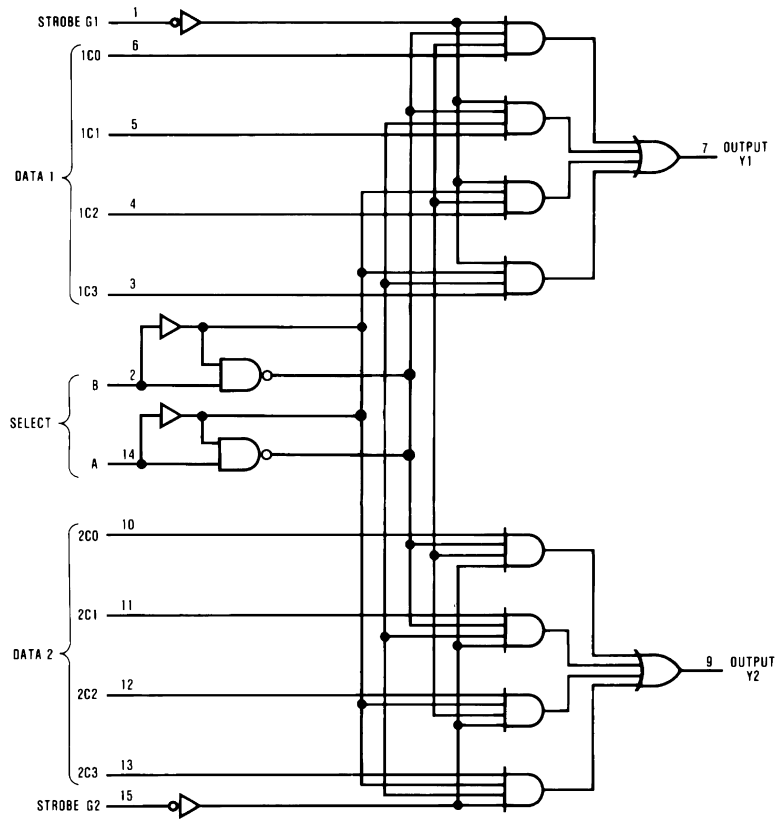
Switching Characteristics (Continued)

over recommended operating free air temperature range. (Note 2)

Symbol	Parameter	Conditions	From	To	DM74ALS153		Units
					Min	Max	
t_{PHL}	Propagation Delay Time High to Low Level Output		Strobe	Y	5	18	ns

Note 2: See Section 1 for test waveforms and output load.

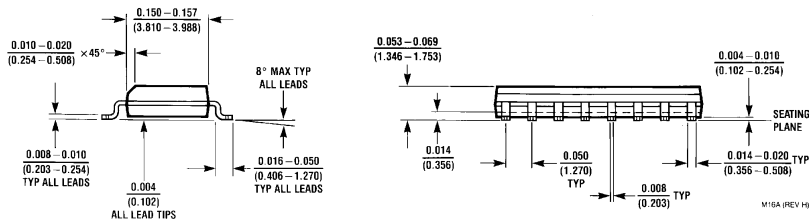
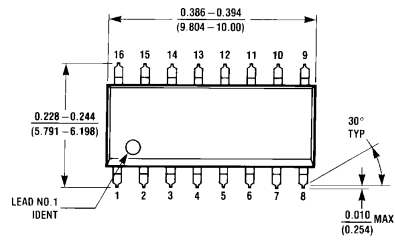
Logic Diagram



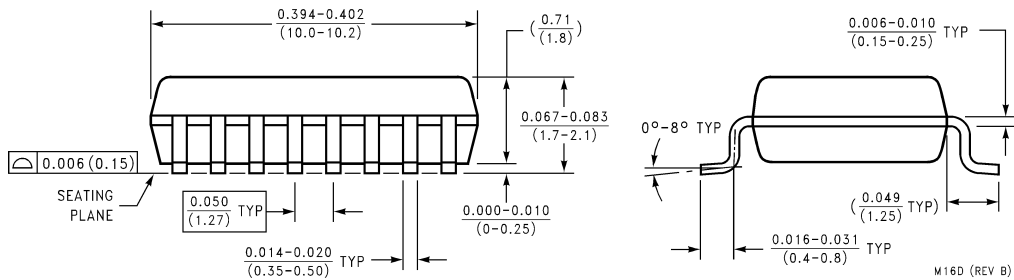
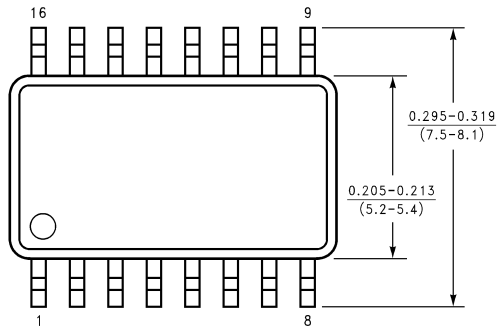
DS006204-2



Physical Dimensions inches (millimeters) unless otherwise noted

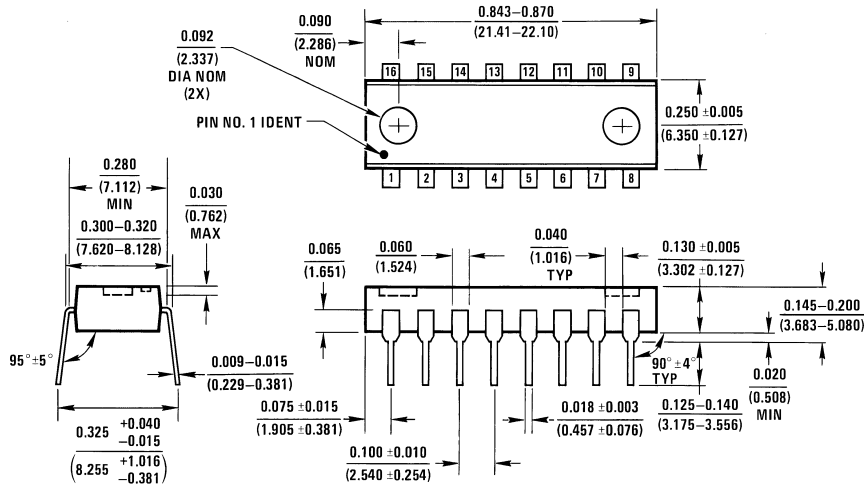


Small Outline Package (M)
Order Number DM74ALS153M
Package Number M16A



Small Outline Package (SJ)
Order Number DM74ALS153SJ
Package Number M16D

Physical Dimensions inches (millimeters) unless otherwise noted (Continued)



N16A (REV E)

Molded Dual-In-Line Package (N)
Order Number DM74ALS153N
Package Number N16A

LIFE SUPPORT POLICY

FAIRCHILD'S PRODUCTS ARE NOT AUTHORIZED FOR USE AS CRITICAL COMPONENTS IN LIFE SUPPORT DEVICES OR SYSTEMS WITHOUT THE EXPRESS WRITTEN APPROVAL OF THE PRESIDENT OF FAIRCHILD SEMICONDUCTOR CORPORATION. As used herein:

1. Life support devices or systems are devices or systems which, (a) are intended for surgical implant into the body, or (b) support or sustain life, and (c) whose failure to perform when properly used in accordance with instructions for use provided in the labeling, can be reasonably expected to result in a significant injury to the user.
2. A critical component in any component of a life support device or system whose failure to perform can be reasonably expected to cause the failure of the life support device or system, or to affect its safety or effectiveness.

Fairchild Semiconductor Corporation Americas
 Customer Response Center
 Tel: 1-888-522-5372

Fairchild Semiconductor Europe
 Fax: +49 (0) 1 80-530 85 86
 Email: europe.support@nsc.com
 Deutsch Tel: +49 (0) 8 141-35-0
 English Tel: +44 (0) 1 793-85-68-56
 Italy Tel: +39 (0) 2 57 5631

Fairchild Semiconductor Hong Kong Ltd.
 13th Floor, Straight Block,
 Ocean Centre, 5 Canton Rd.
 Tsimshatsui, Kowloon
 Hong Kong
 Tel: +852 2737-7200
 Fax: +852 2314-0061

National Semiconductor Japan Ltd.
 Tel: 81-3-5620-6175
 Fax: 81-3-5620-6179

www.fairchildsemi.com