

DM74ALS253 3-STATE Dual 1 of 4 Line Data Selector/Multiplexer

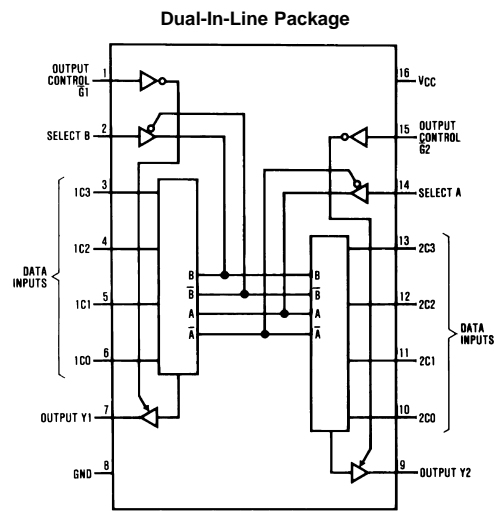
General Description

This Data Selector/Multiplexer contains full on-chip decoding to select one-of-four data sources as a result of a unique two-bit binary code at the Select Inputs. Each of the two Data Selector/Multiplexer circuits have their own separate Data and Output Control inputs and a non-inverting 3-STATE output buffer. The Output Control inputs, when at the high level, place the corresponding output in the high impedance Off state. In order to prevent bus access conflicts, output disable times are shorter than output enable times. The Select input buffers incorporate internal overlap features to ensure that select input changes do not cause invalid output transients.

Features

- Advanced oxide-isolated, ion-implanted Schottky TTL process
- Switching performance is guaranteed over full temperature and V_{CC} supply range
- Pin and functional compatible with LS family counterpart
- Improved output transient handling capability
- Output control circuitry incorporates power-up 3-STATE feature

Connection Diagram



DS006215-1

Order Number DM74ALS253M or DM74ALS253N
See Package Number M16A or N16A

Function Table

Select Inputs	Data Inputs				Output Control	Output		
	B	A	C0	C1	C2	C3	\bar{G}	Y
X	X	X	X	X	X	X	H	Z
L	L	L	X	X	X	X	L	L
L	L	H	X	X	X	X	L	H
L	H	X	L	X	X	X	L	L
L	H	X	H	X	X	X	L	H
H	L	X	X	L	X	X	L	L
H	L	X	X	H	X	X	L	H
H	H	X	X	X	L	X	L	L
H	H	X	X	X	H	X	L	H

Address inputs A and B are common to both sections

H = High Level
L = Low Level
X = Don't Care
Z = High Impedance

Absolute Maximum Ratings (Note 1)

Supply Voltage, V_{CC}	7V	DM74ALS	0°C to +70°C
Input Voltage	7V	Storage Temperature Range	-65°C to +150°C
Voltage Applied to Disabled Output	5.5V	Typical θ_{JA}	
Operating Free Air Temperature Range		N Package	78.0°C/W
		M Package	107.0°C/W

Recommended Operating Conditions

Symbol	Parameter	DM74ALS253			Units
		Min	Nom	Max	
V_{CC}	Supply Voltage	4.5	5	5.5	V
V_{IH}	High Level Input Voltage	2			V
V_{IL}	Low Level Input Voltage			0.8	V
I_{OH}	High Level Output Current			-2.6	mA
I_{OL}	Low Level Output Current			24	mA
T_A	Free Air Operating Temperature	0		70	°C

Note 1: The "Absolute Maximum Ratings" are those values beyond which the safety of the device cannot be guaranteed. The device should not be operated at these limits. The parametric values defined in the "Electrical Characteristics" table are not guaranteed at the absolute maximum ratings. The "Recommended Operating Conditions" table will define the conditions for actual device operation.

Electrical Characteristics

over recommended operating free air temperature range. All typical values are measured at $V_{CC} = 5V$, $T_A = 25^\circ C$.

Symbol	Parameter	Conditions	Min	Typ	Max	Units
V_{IK}	Input Clamp Voltage	$V_{CC} = 4.5V$, $I_{IN} = -18 mA$			-1.5	V
V_{OH}	High Level Output Voltage	$V_{CC} = 4.5V$, $I_{OH} = Max$	2.4	3.2		V
		$I_{OH} = 400 \mu A$, $V_{CC} = 4.5V$ to $5.5V$	$V_{CC} - 2$			V
V_{OL}	Low Level Output Voltage	$V_{CC} = 4.5V$		0.25	0.4	V
		$I_{OL} = 12 mA$ $I_{OL} = 24 mA$		0.35	0.5	V
I_i	Input Current at Max Input Voltage	$V_{CC} = 5.5V$, $V_{IN} = 7V$			0.1	mA
I_{IH}	High Level Input Current	$V_{CC} = 5.5V$, $V_{IN} = 2.7V$			20	μA
I_{IL}	Low Level Input Current	$V_{CC} = 5.5V$, $V_{IN} = 0.4V$			-0.1	mA
I_O	Output Drive Current	$V_{CC} = 5.5V$, $V_{OUT} = 2.25V$	-30		-112	mA
I_{OZH}	Off-State Output Current, High Bias	$V_{CC} = 5.5V$, $V_{OUT} = 2.7V$			20	μA
I_{OZL}	Off-State Output Current, Low Bias	$V_{CC} = 5.5V$, $V_{OUT} = 0.4V$			-20	μA
I_{CC}	Supply Current	$V_{CC} = 5.5V$	Output High	6.5	12	mA
			Output Low	6.5	12	
			Output Disabled	7.5	14	

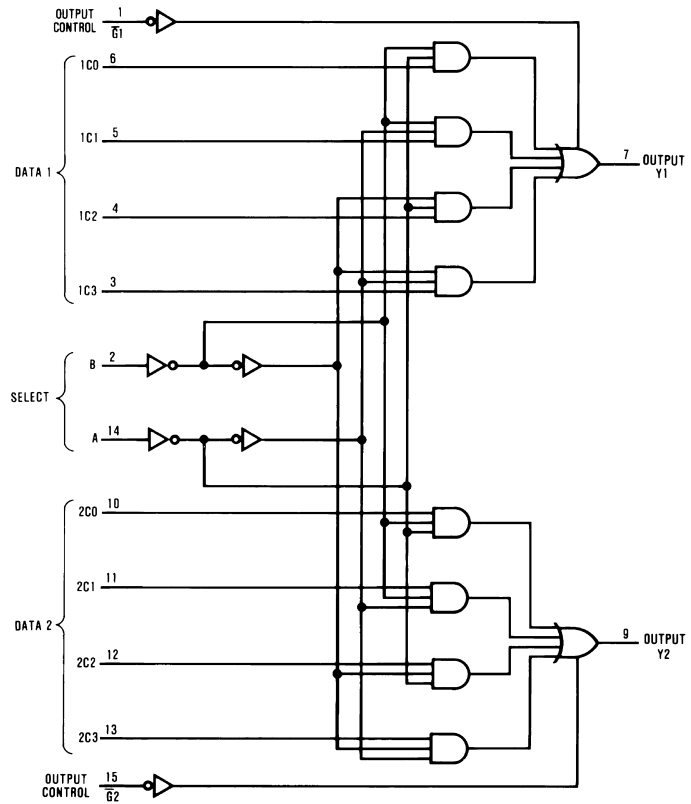
Switching Characteristics

over recommended operating free air temperature range. All typical values are measured at $V_{CC} = 5V$, $T_A = 25^\circ C$. (Note 2)

Symbol	Parameter	From (Input) To (Output)	Conditions	DM74ALS253		Units
				Min	Max	
t_{PLH}	Propagation Delay Time Low to High Level Output	Select to Y	$V_{CC} = 4.5V$ to $5.5V$ $C_L = 50$ pF $R_L = 500\Omega$	5	21	ns
t_{PHL}	Propagation Delay Time High to Low Level Output	Select to Y		5	21	ns
t_{PLH}	Propagation Delay Time Low to High Level Output	Data to Y		2	10	ns
t_{PHL}	Propagation Delay Time High to Low Level Output	Data to Y		3	14	ns
t_{PZH}	Output Enable Time to High Level Output	Output Control to Y		3	14	ns
t_{PZL}	Output Enable Time to Low Level Output	Output Control to Y		4	16	ns
t_{PHZ}	Output Disable Time from High Level Output	Output Control to Y		2	10	ns
t_{PLZ}	Output Disable Time from Low Level Output	Output Control to Y		2	14	ns

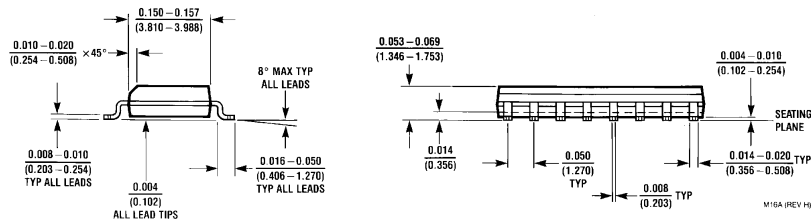
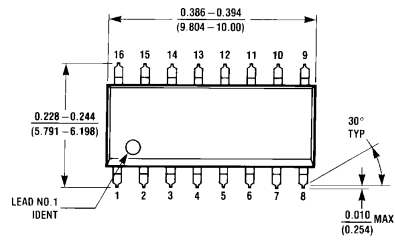
Note 2: See Section 1 for test waveforms and output load.

Logic Diagram

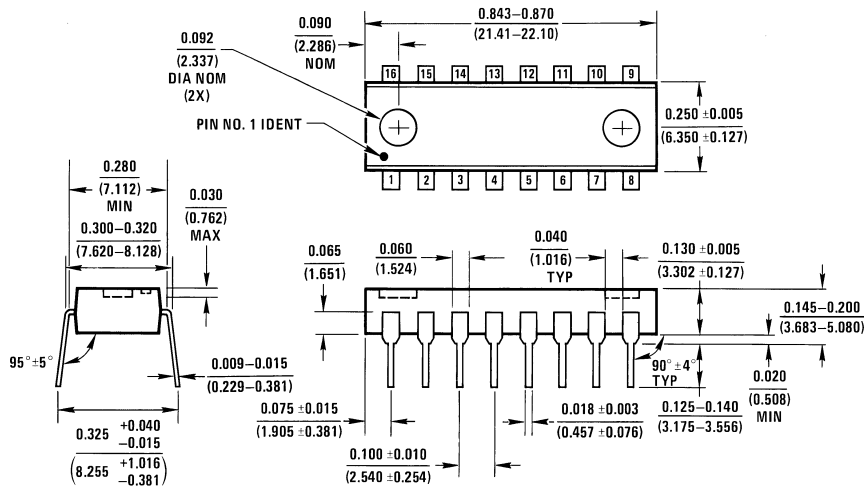


DS006215-2

Physical Dimensions inches (millimeters) unless otherwise noted



S.O. Package (M)
Order Number DM74ALS253M
Package Number M16A



Molded Dual-In-Line Package (N)
Order Number DM74ALS253N
Package Number N16A

LIFE SUPPORT POLICY

FAIRCHILD'S PRODUCTS ARE NOT AUTHORIZED FOR USE AS CRITICAL COMPONENTS IN LIFE SUPPORT DEVICES OR SYSTEMS WITHOUT THE EXPRESS WRITTEN APPROVAL OF THE PRESIDENT OF FAIRCHILD SEMICONDUCTOR CORPORATION. As used herein:

1. Life support devices or systems are devices or systems which, (a) are intended for surgical implant into the body, or (b) support or sustain life, and (c) whose failure to perform when properly used in accordance with instructions for use provided in the labeling, can be reasonably expected to result in a significant injury to the user.
2. A critical component in any component of a life support device or system whose failure to perform can be reasonably expected to cause the failure of the life support device or system, or to affect its safety or effectiveness.

Fairchild Semiconductor Corporation Americas
Customer Response Center
Tel: 1-888-522-5372

Fairchild Semiconductor Europe
Fax: +49 (0) 1 80-530 85 86
Email: europe.support@nsc.com
Deutsch Tel: +49 (0) 8 141-35-0
English Tel: +44 (0) 1 793-85-68-56
Italy Tel: +39 (0) 2 57 5631

Fairchild Semiconductor Hong Kong Ltd.
13th Floor, Straight Block,
Ocean Centre, 5 Canton Rd.
Tsimshatsui, Kowloon
Hong Kong
Tel: +852 2737-7200
Fax: +852 2314-0061

National Semiconductor Japan Ltd.
Tel: 81-3-5620-6175
Fax: 81-3-5620-6179

www.fairchildsemi.com