

DM74ALS573B Extended Temperature Octal D-Type Transparent Latch with 3-STATE Outputs

General Description

These 8-bit registers feature totem-pole 3-STATE outputs designed specifically for driving highly-capacitive or relatively low-impedance loads. The high-impedance state and increased high-logic-level drive provide these registers with the capability of being connected directly to and driving the bus lines in a bus-organized system without need for interface or pull-up components. They are particularly attractive for implementing buffer registers, I/O ports, bidirectional bus drivers, and working registers.

The eight latches of the ALS573B are transparent D-type latches. While the enable (G) is high the Q outputs will follow the data (D) inputs. When the enable is taken low the output will be latched at the level of the data that was set up.

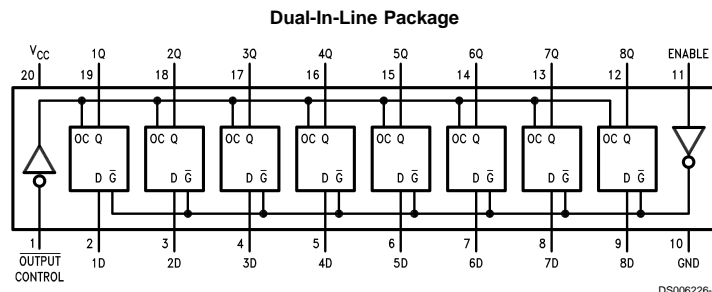
A buffered output control input can be used to place the eight outputs in either a normal logic state (high or low logic levels) or a high-impedance state. In the high-impedance state the outputs neither load nor drive the bus lines significantly.

The output control does not affect the internal operation of the latches. That is, the old data can be retained or new data can be entered even while the outputs are off.

Features

- Switching specifications at 50 pF
- Switching specifications guaranteed over full temperature and V_{CC} range
- Advanced oxide-isolated, ion-implanted Schottky TTL process
- Functionally equivalent with LS373
- Improved AC performance over LS373 at approximately half the power
- 3-STATE buffer-type outputs drive bus lines directly

Connection Diagram



Order Number DM74ALS573BWM, DM74ALS573BN or DM74ALS573BSJ
See Package Number M20B, M20D or N20A

Function Table

Output Control	Enable G	D	Output Q
L	H	H	H
L	H	L	L
L	L	X	Q_0
H	X	X	Z

L = Low State, H = High State, X = Don't Care
Z = High Impedance State
 Q_0 = Previous Condition of Q

Absolute Maximum Ratings (Note 1)

Supply Voltage	7V
Input Voltage	7V
Voltage Applied to Disabled Output	5.5V
Operating Free Air Temperature Range	

DM74ALS
Storage Temperature Range
Typical θ_{JA}
N Package
M Package

0°C to +70°C
-65°C to +150°C
56.0°C/W
75.0°C/W

Recommended Operating Conditions

Symbol	Parameter	Min	Nom	Max	Units
V _{CC}	Supply Voltage	4.5	5	5.5	V
V _{IH}	High Level Input Voltage	2			V
V _{IL}	Low Level Input Voltage			0.8	V
I _{OH}	High Level Output Current			-2.6	mA
I _{OL}	Low Level Output Current			24	mA
t _w	Width of Enable Pulse, High	10			ns
t _{SU}	Data Setup Time (Note 2)	10↓			ns
t _H	Data Hold Time (Note 2)	7↓			ns
T _A	Free Air Operating Temperature	0		70	°C

Note 1: The "Absolute Maximum Ratings" are those values beyond which the safety of the device cannot be guaranteed. The device should not be operated at these limits. The parametric values defined in the "Electrical Characteristics" table are not guaranteed at the absolute maximum ratings. The "Recommended Operating Conditions" table will define the conditions for actual device operation.

Note 2: The (↓) arrow indicates the negative edge of the enable is used for reference.

Electrical Characteristics

over recommended operating free air temperature range. All typical values are measured at V_{CC} = 5V, T_A = 25°C.

Symbol	Parameter	Conditions	Min	Typ	Max	Units	
V _{IK}	Input Clamp Voltage	V _{CC} = 4.5V, I _I = -18 mA			-1.2	V	
V _{OH}	High Level Output Voltage	V _{CC} = 4.5V V _{IL} = V _{ILMax}	I _{OH} = Max	2.4	3.2	V	
		V _{CC} = 4.5V to 5.5V	I _{OH} = -400 μA	V _{CC} - 2		V	
V _{OL}	Low Level Output Voltage	V _{CC} = 4.5V V _{IH} = 2V	I _{OL} = 12 mA		0.25	0.4	V
			I _{OL} = 24 mA		0.35	0.5	V
I _I	Input Current @ Max Input Voltage	V _{CC} = 5.5V, V _{IH} = 7V			0.1	mA	
I _{IH}	High Level Input Current	V _{CC} = 5.5V, V _{IH} = 2.7V			20	μA	
I _{IL}	Low Level Input Current	V _{CC} = 5.5V, V _{IL} = 0.4V			-0.1	mA	
I _O	Output Drive Current	V _{CC} = 5.5V, V _O = 2.25V	-30		-112	mA	
I _{OZH}	Off-State Output Current High Level Voltage Applied	V _{CC} = 5.5V, V _{IH} = 2V V _O = 2.7V			20	μA	
I _{OZL}	Off-State Output Current Low Level Voltage Applied	V _{CC} = 5.5V, V _{IH} = 2V V _O = 0.4V			-20	μA	
I _{CC}	Supply Current	V _{CC} = 5.5V	Outputs High	10	17	mA	
		Outputs Open	Outputs Low	15	24	mA	
			Outputs Disabled	15.5	27	mA	

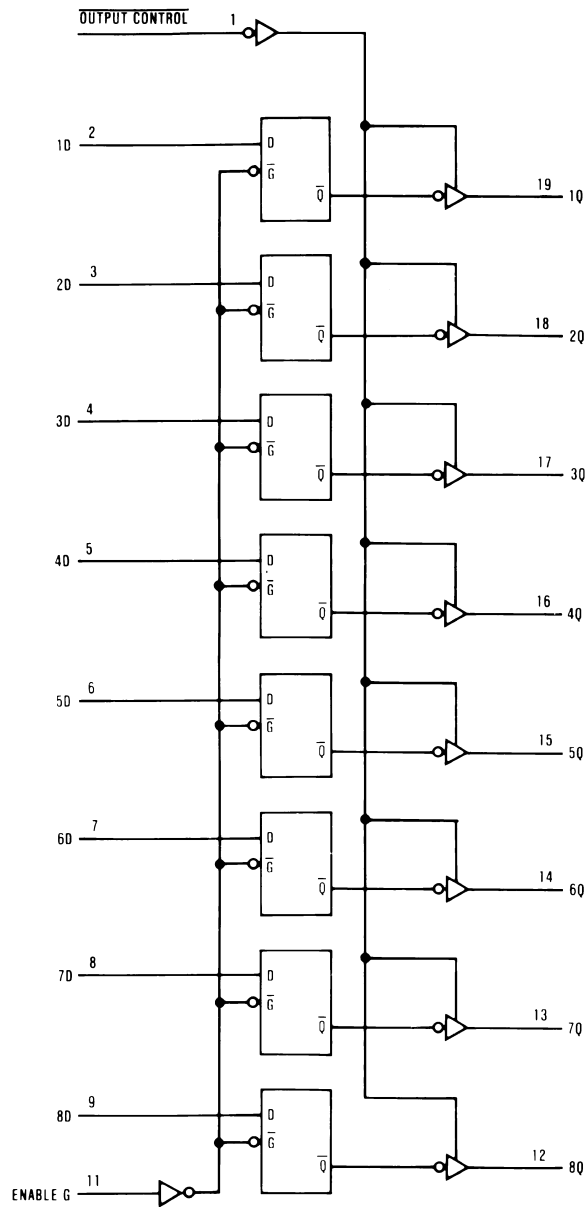
Switching Characteristics

over recommended operating free air temperature range. (Note 3)

Symbol	Parameter	Conditions	From	To	Min	Max	Units
t _{PLH}	Propagation Delay Time Low to High Level Output	V _{CC} = 4.5V to 5.5V R _L = 500Ω C _L = 50 pF	Data	Any Q	2	14	ns
t _{PHL}	Propagation Delay Time High to Low Level Output		Data	Any Q	2	14	ns
t _{PLH}	Propagation Delay Time Low to High Level Output		Enable	Any Q	6	20	ns
t _{PHL}	Propagation Delay Time High to Low Level Output		Enable	Any Q	6	19	ns
t _{PZH}	Output Enable Time to High Level Output		Output Control	Any Q	3	18	ns
t _{PZL}	Output Enable Time to Low Level Output		Output Control	Any Q	4	18	ns
t _{PHZ}	Output Disable Time from High Level Output		Output Control	Any Q	1	10	ns
t _{PLZ}	Output Disable Time from Low Level Output		Output Control	Any Q	1	15	ns

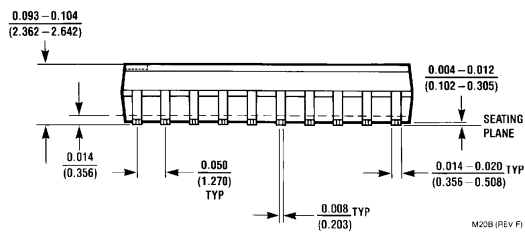
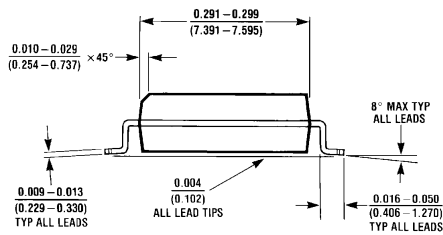
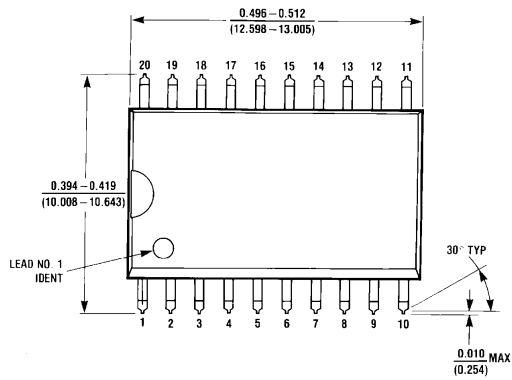
Note 3: See Section 1 for test waveforms and output load.

Logic Diagram



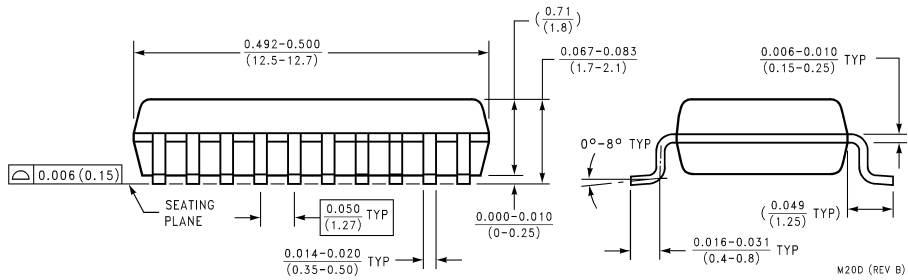
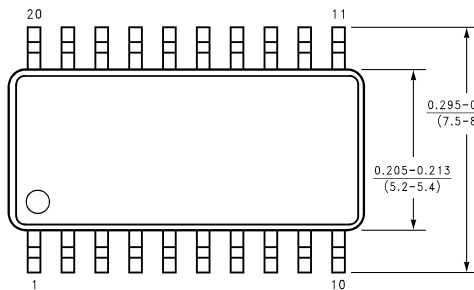
DS006226-2

Physical Dimensions inches (millimeters) unless otherwise noted



M20B (REV F)

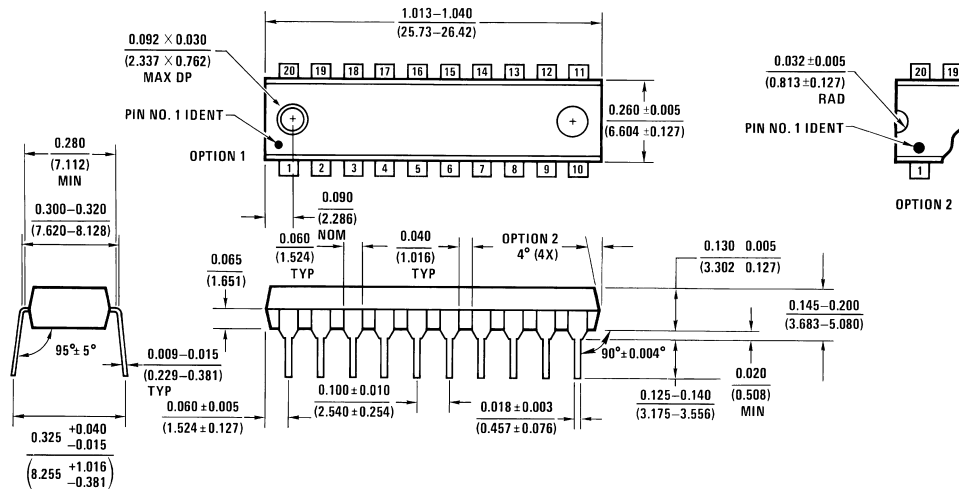
Small Outline Package (M)
Order Number DM74ALS573BWM
Package Number M20B



M20D (REV B)

Small Outline Package (SJ)
Order Number DM74ALS573BSJ
Package Number M20D

Physical Dimensions inches (millimeters) unless otherwise noted (Continued)



Molded Dual-In-Line Package (N)
Order Number DM74ALS573BN
Package Number N20A

N20A (REV G)

LIFE SUPPORT POLICY

FAIRCHILD'S PRODUCTS ARE NOT AUTHORIZED FOR USE AS CRITICAL COMPONENTS IN LIFE SUPPORT DEVICES OR SYSTEMS WITHOUT THE EXPRESS WRITTEN APPROVAL OF THE PRESIDENT OF FAIRCHILD SEMICONDUCTOR CORPORATION. As used herein:

1. Life support devices or systems are devices or systems which, (a) are intended for surgical implant into the body, or (b) support or sustain life, and (c) whose failure to perform when properly used in accordance with instructions for use provided in the labeling, can be reasonably expected to result in a significant injury to the user.
2. A critical component in any component of a life support device or system whose failure to perform can be reasonably expected to cause the failure of the life support device or system, or to affect its safety or effectiveness.

Fairchild Semiconductor Corporation Americas
 Customer Response Center
 Tel: 1-888-522-5372
 Fax: 972-910-8036

Fairchild Semiconductor Europe
 Fax: +49 (0) 1 80-530 85 86
 Email: europe.support@nsc.com
 Deutsch Tel: +49 (0) 8 141-35-0
 English Tel: +44 (0) 1 793-85-68-56
 Italy Tel: +39 (0) 2 57 5631

Fairchild Semiconductor Hong Kong Ltd.
 8/F Room 808 Empire Centre
 68 Mody Road, Tsimshatsui East
 Kowloon, Hong Kong
 Tel: 852-2722-8338
 Fax: 852-2722-8383

Fairchild Semiconductor Japan Ltd.
 4F, Natsume Bldg,
 2-18-6 Yushima, Bunkyo-ku,
 Tokyo 113-0034, Japan
 Tel: 81-3-3818-8840
 Fax: 81-3-3818-8450

www.fairchildsemi.com